



US00D911255S

(12) **United States Design Patent**
Dumont

(10) **Patent No.:** **US D911,255 S**

(45) **Date of Patent:** **** Feb. 23, 2021**

- (54) **CARGO BOX FOR A VEHICLE**
- (71) Applicant: **BOMBARDIER RECREATIONAL PRODUCTS INC., Valcourt (CA)**
- (72) Inventor: **Maxime Dumont, Verdun (CA)**
- (73) Assignee: **BOMBARDIER RECREATIONAL PRODUCTS INC., Valcourt (CA)**
- (**) Term: **15 Years**
- (21) Appl. No.: **29/698,377**
- (22) Filed: **Jul. 16, 2019**
- (51) **LOC (13) Cl.** **12-16**
- (52) **U.S. Cl.**
USPC **D12/413**
- (58) **Field of Classification Search**
USPC D12/93, 96, 98, 99, 100, 101, 114, 190,
D12/196, 223, 400, 401, 404, 406, 407,
D12/408, 409, 410, 412, 413, 414, 14.1;
D3/274; D6/552
CPC B60R 9/00; B60R 9/02; B60R 9/04; B60R
9/06; B60R 9/08; B60R 9/10; B60R
9/045; B60R 9/048; B60R 9/055; B60R
9/058; B62J 7/00; B62J 7/04
See application file for complete search history.

(56) **References Cited**

U.S. PATENT DOCUMENTS

- 4,288,011 A * 9/1981 Grossman B60R 9/00
224/404
- D274,139 S * 6/1984 Suffern D12/414.1
- D294,816 S * 3/1988 Hoyt D12/414.1
- D294,935 S * 3/1988 Grossman D12/414.1
- 4,967,944 A * 11/1990 Waters B60R 9/00
224/404
- 5,080,250 A * 1/1992 Dickinson B60R 9/00
220/608

- 5,601,206 A * 2/1997 Haas B60R 9/00
16/254
- 5,685,467 A * 11/1997 Niemi B60R 9/00
220/23.83
- D448,167 S * 9/2001 Pangerc D3/273
- D491,199 S * 6/2004 Greene D12/423
- D495,878 S * 9/2004 Greene 224/410
- D514,807 S * 2/2006 Concari D3/273
- D516,310 S * 3/2006 Brunson D3/273
- 7,017,966 B2 * 3/2006 Clonan B60R 9/00
224/404
- D720,680 S * 1/2015 Vitoorapakorn D12/414.1
- 10,286,543 B2 * 5/2019 Haun A61J 1/03
- 2006/0266777 A1 * 11/2006 Huang B60R 9/055
224/401

* cited by examiner

Primary Examiner — Michael A. Pratt
Assistant Examiner — Adam C Mager
(74) *Attorney, Agent, or Firm* — BCF LLP

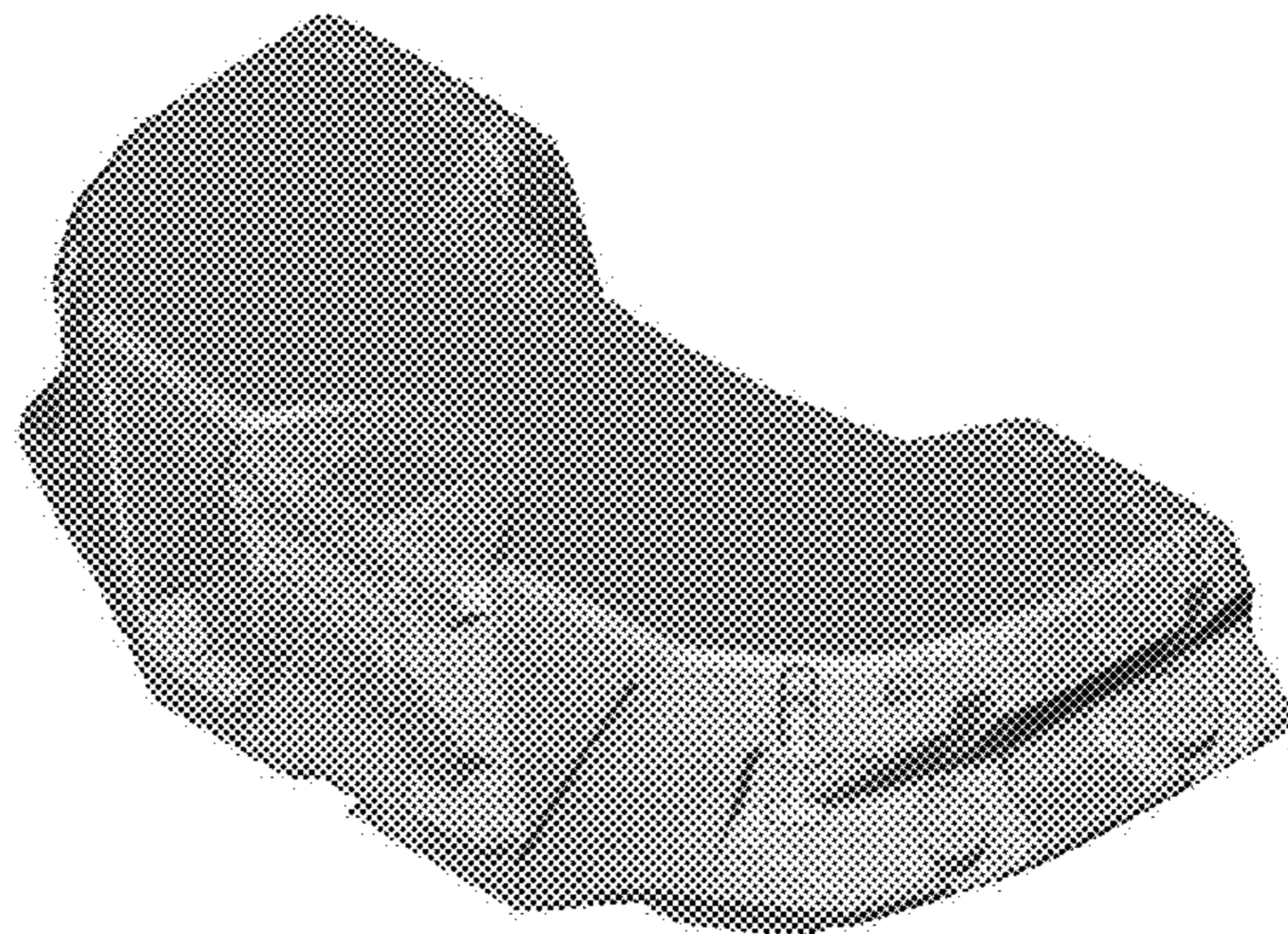
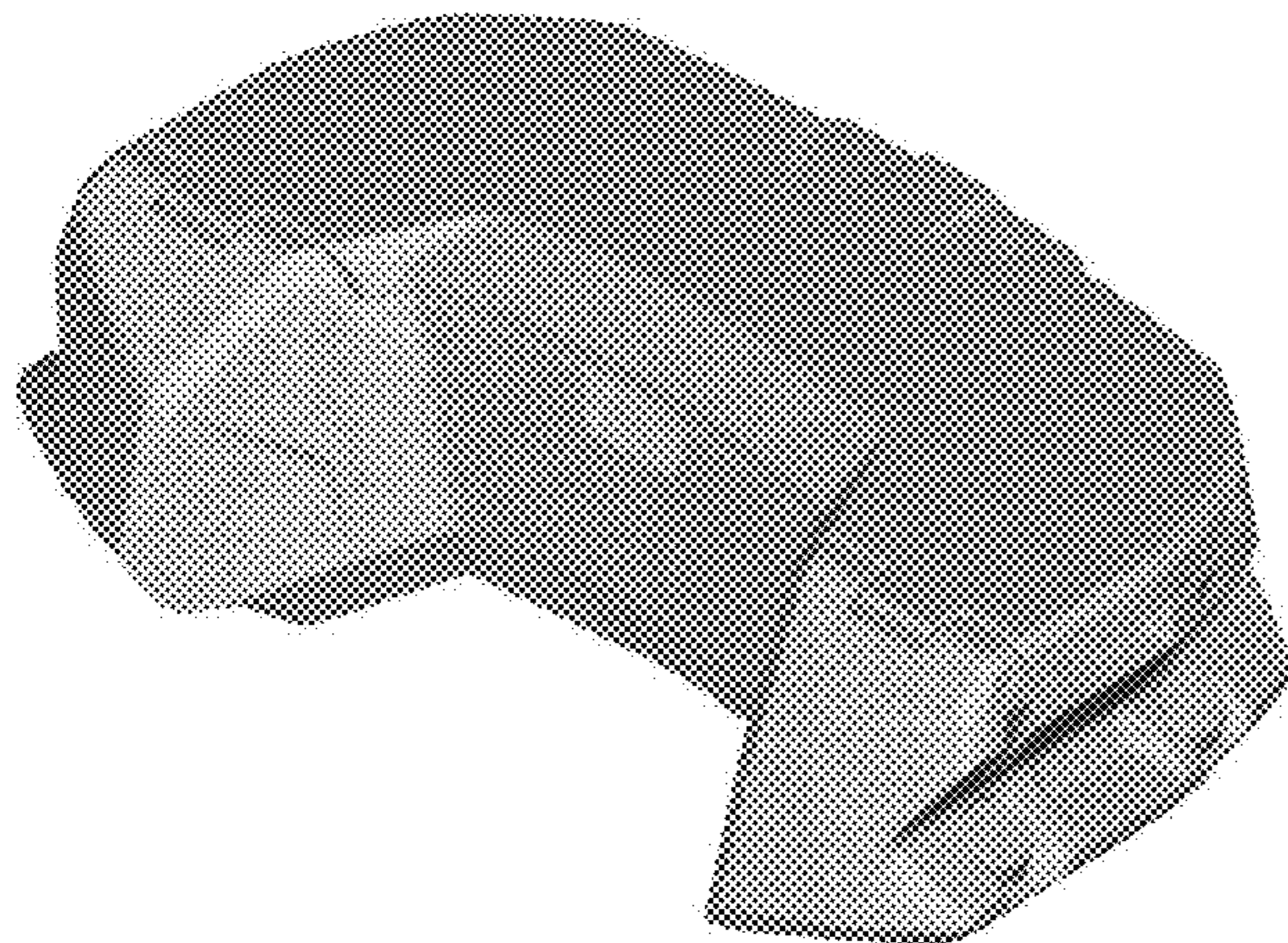
(57) **CLAIM**

The ornamental design for a cargo box for a vehicle, as shown and described.

DESCRIPTION

FIG. 1 is a perspective view taken from a rear, right side of a cargo box for a vehicle according to my design;
FIG. 2 is a perspective view taken from a rear, left side thereof;
FIG. 3 is a perspective view taken from a front, right side thereof;
FIG. 4 is a perspective view taken from a front, left side thereof;
FIG. 5 is a front elevation view thereof;
FIG. 6 is a rear elevation view thereof;
FIG. 7 is a right side elevation view thereof;
FIG. 8 is a left side elevation view thereof;
FIG. 9 is a top plan view thereof; and,
FIG. 10 is a bottom plan view thereof.

1 Claim, 10 Drawing Sheets



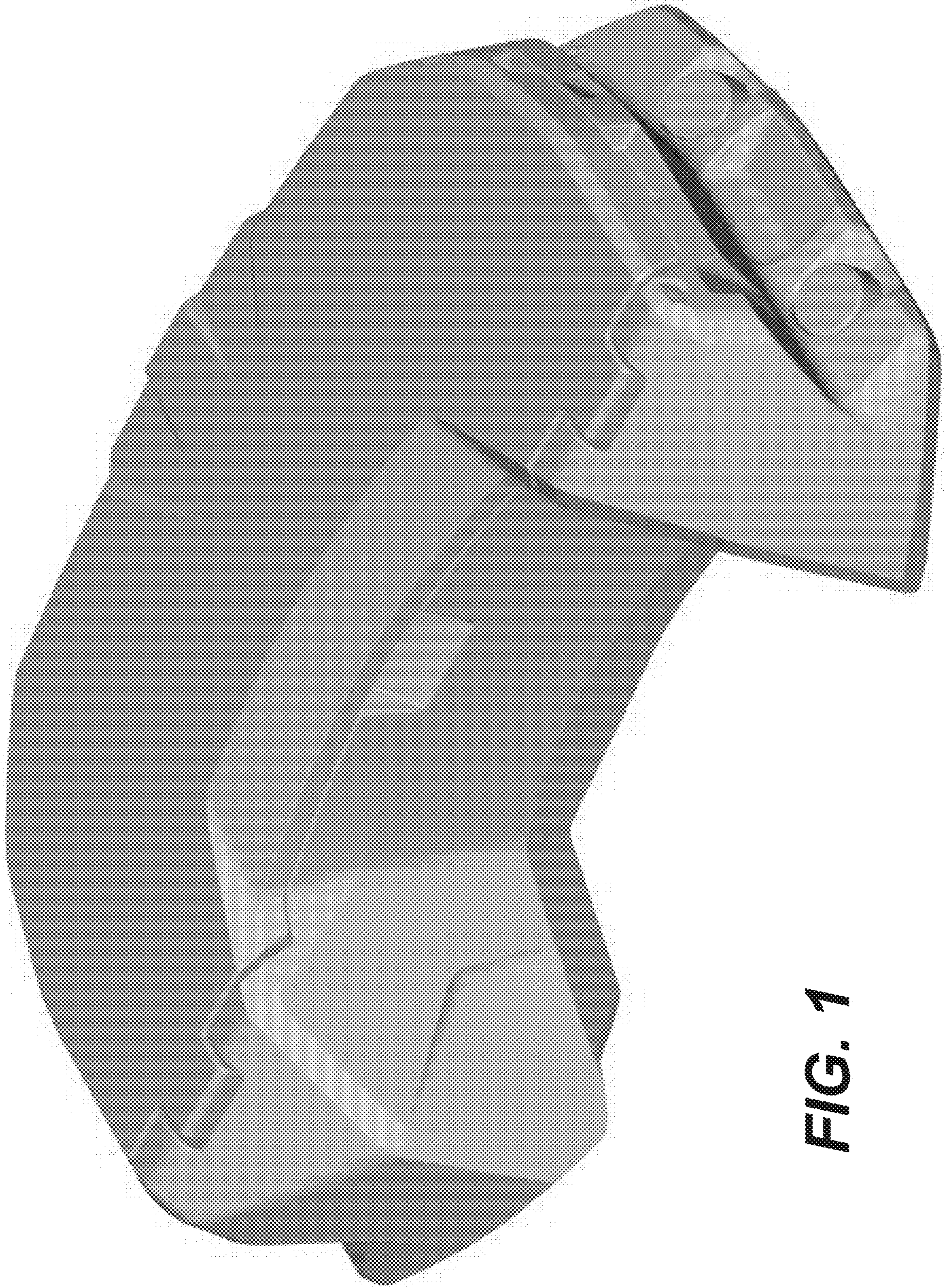


FIG. 1

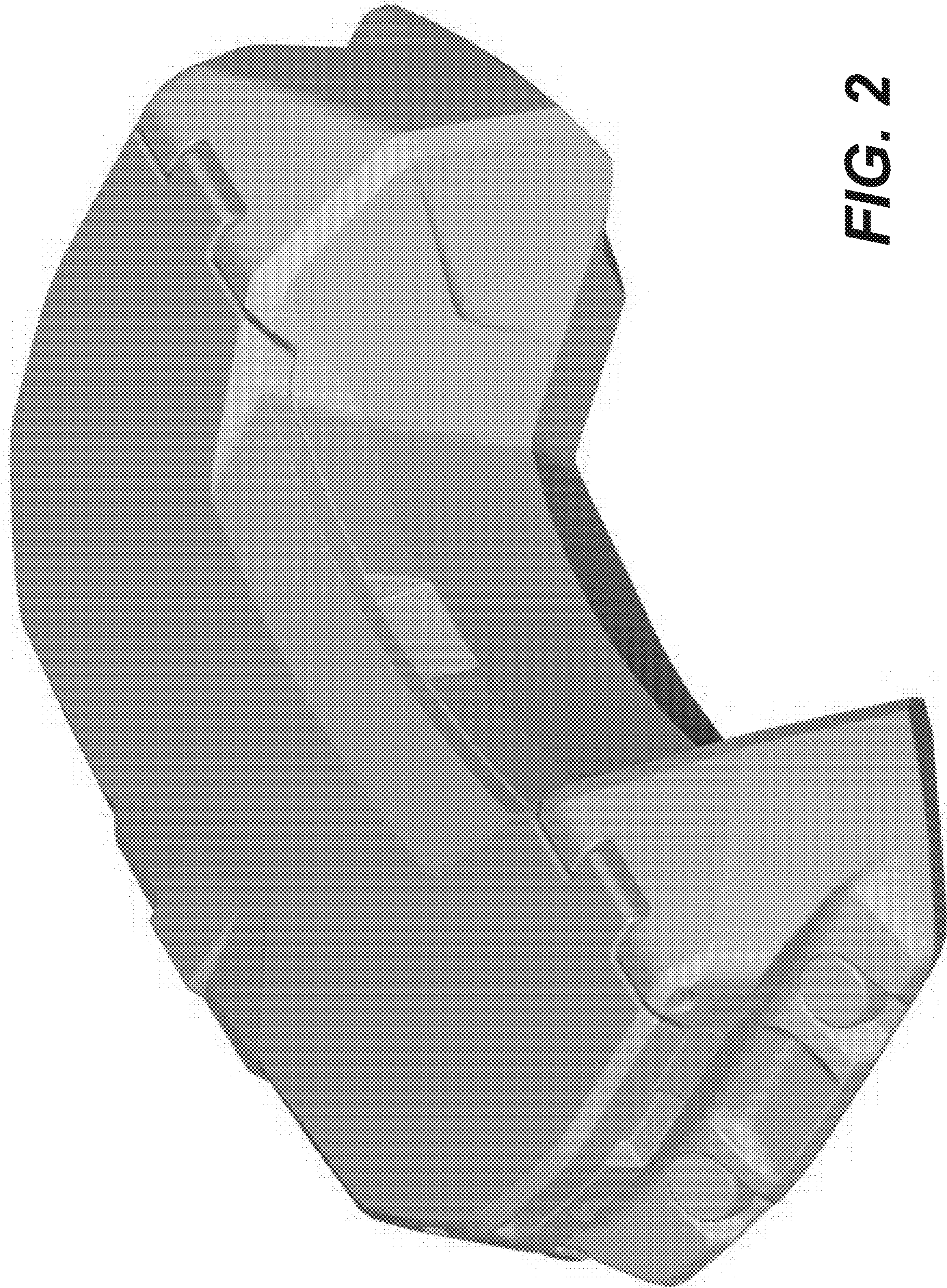


FIG. 2

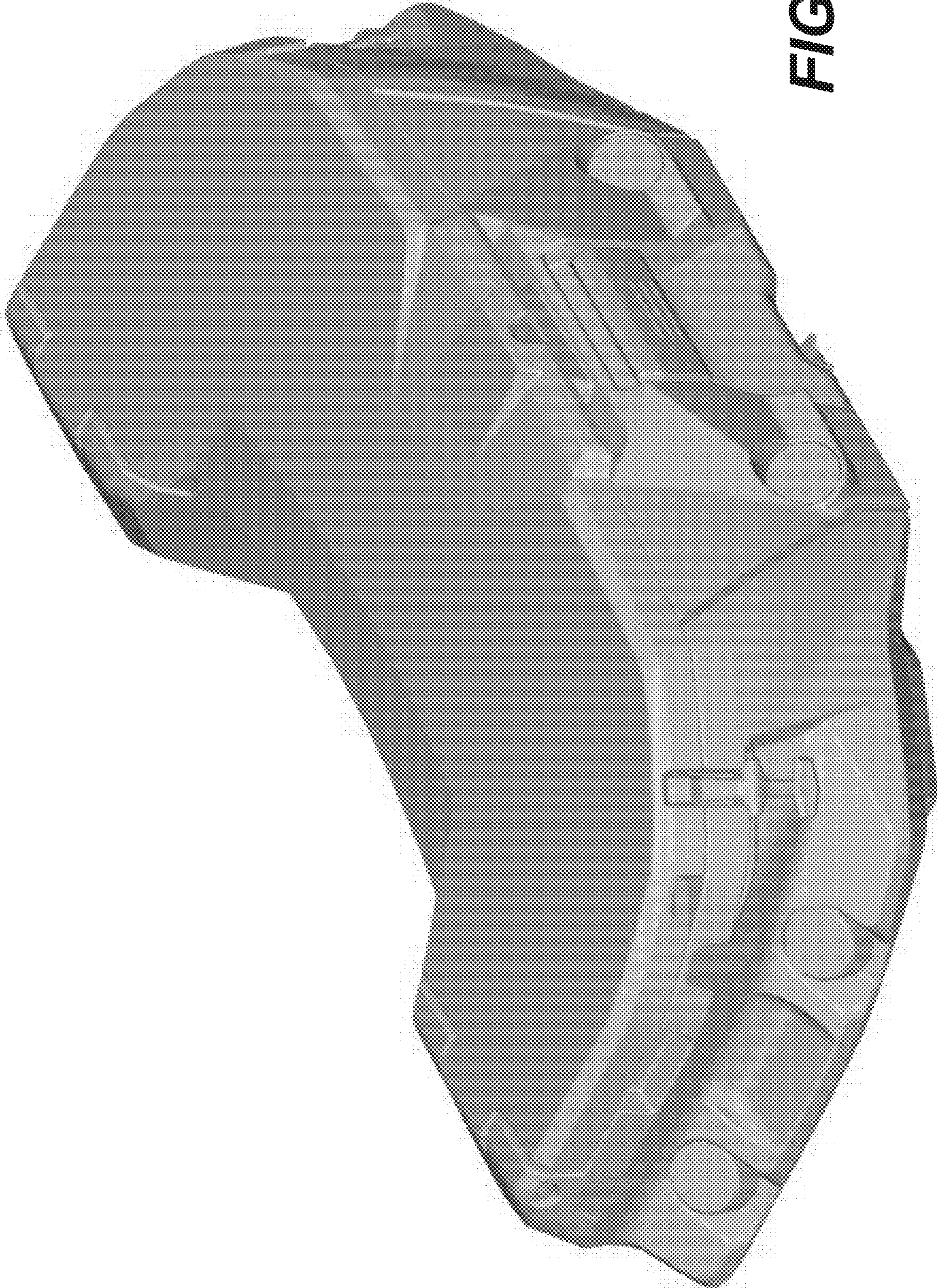


FIG. 3

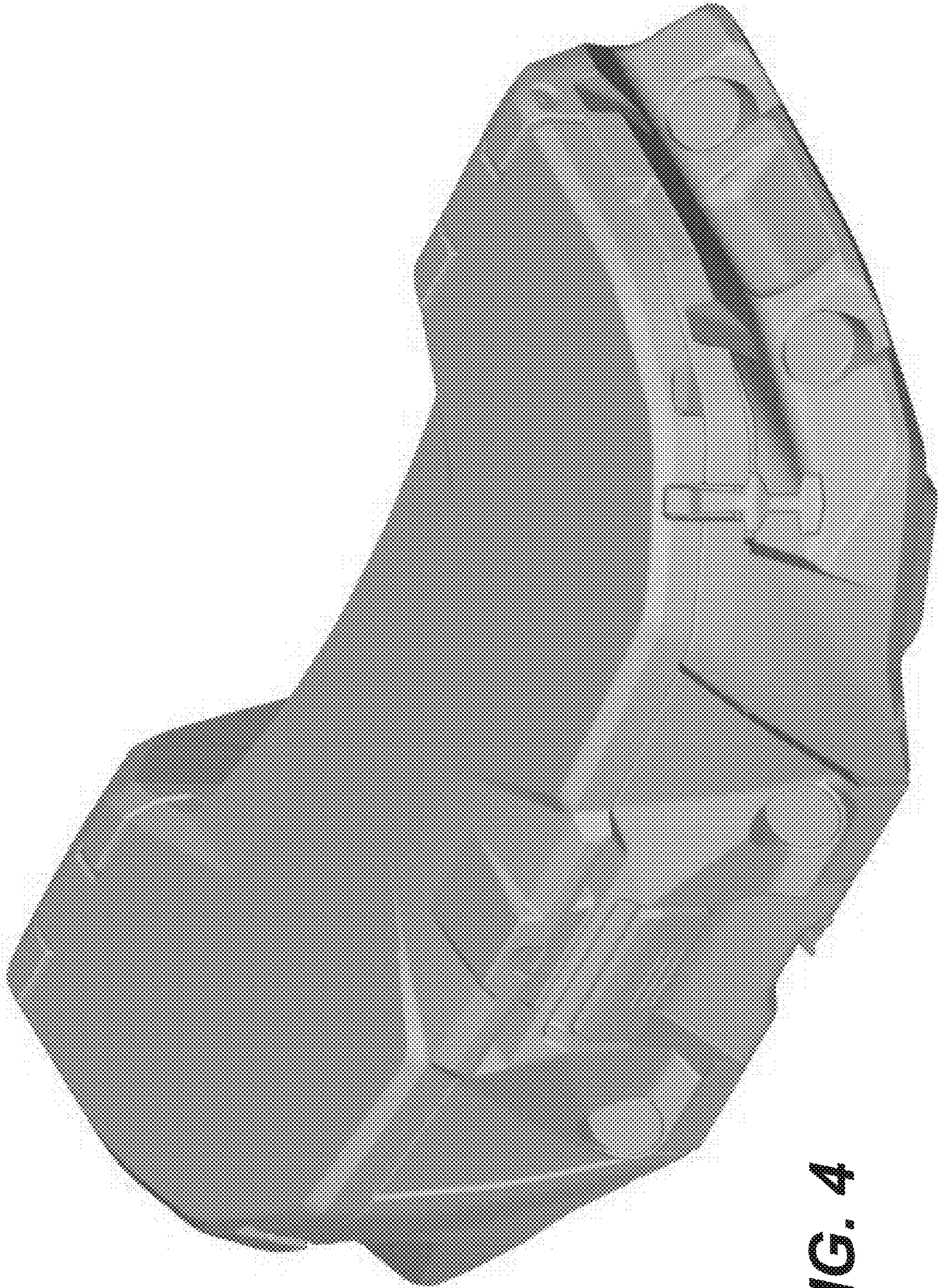


FIG. 4

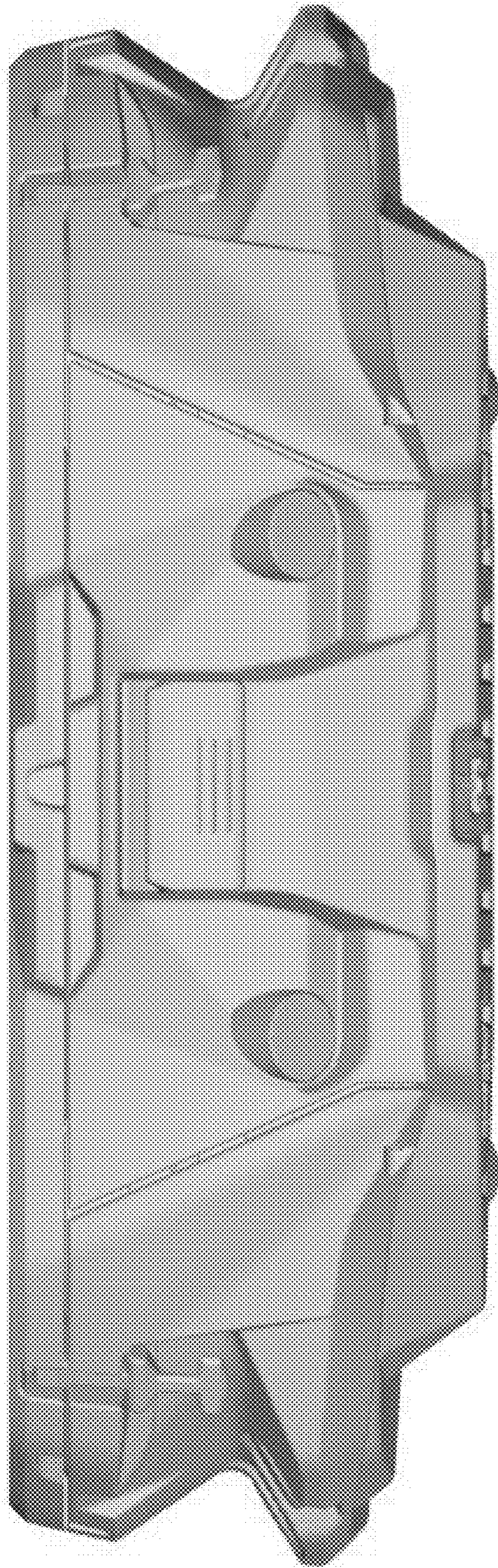


FIG. 5

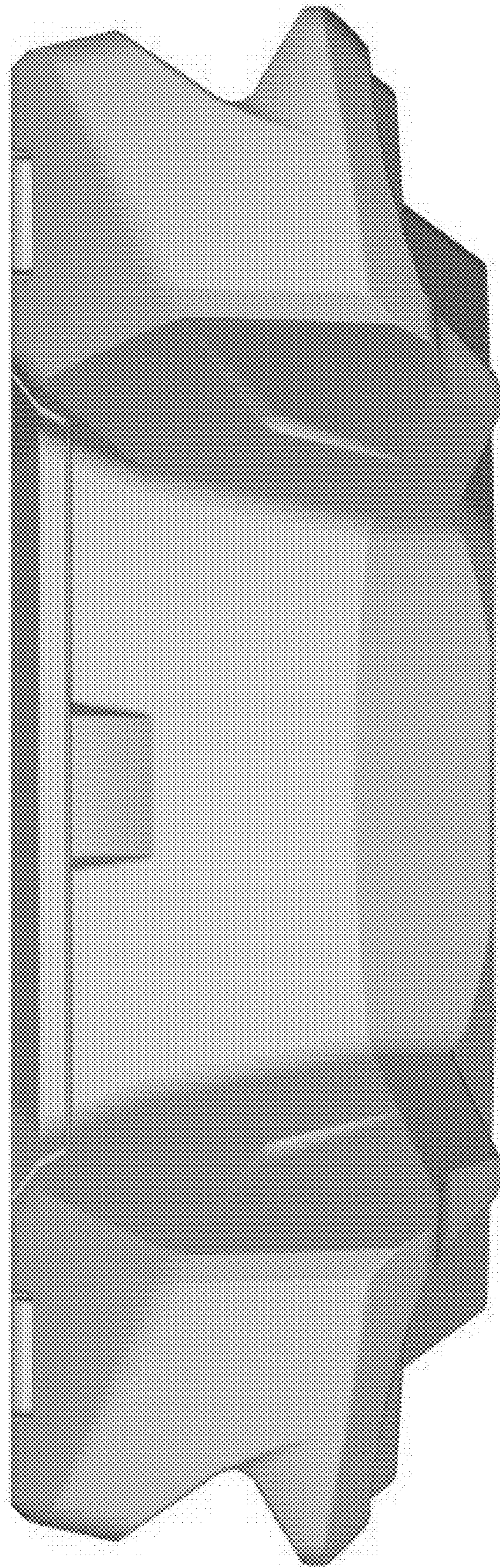


FIG. 6

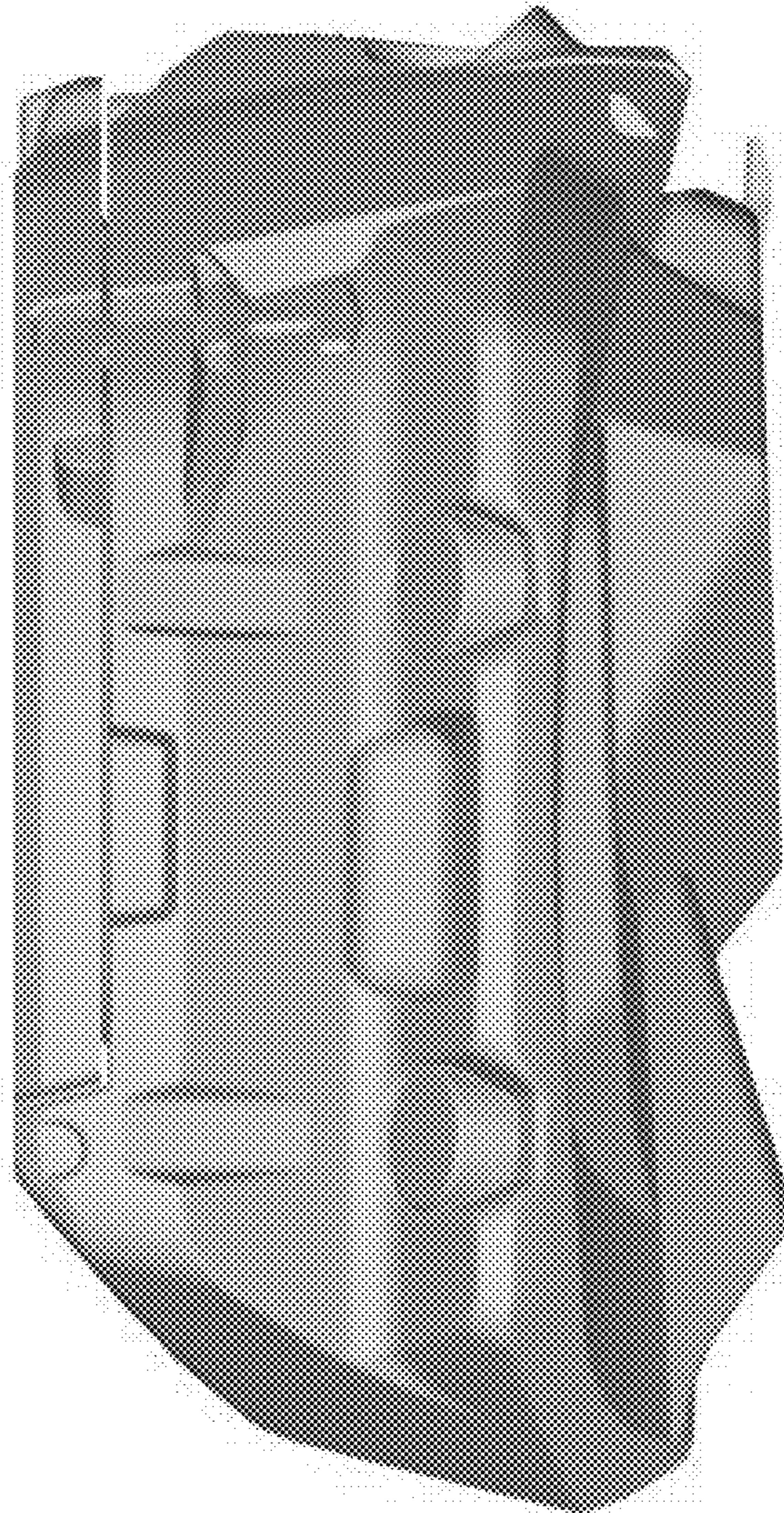


FIG. 7

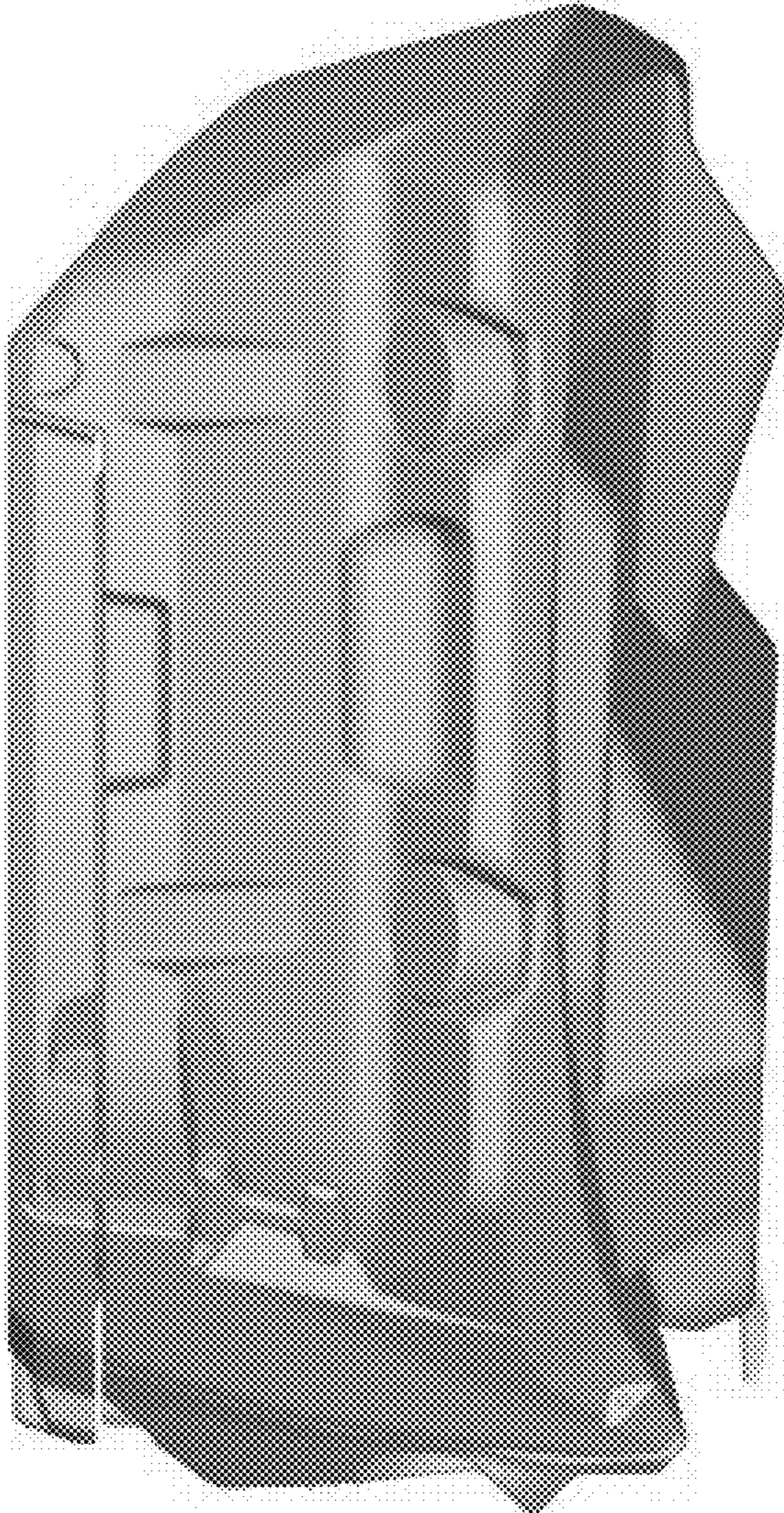


FIG. 8

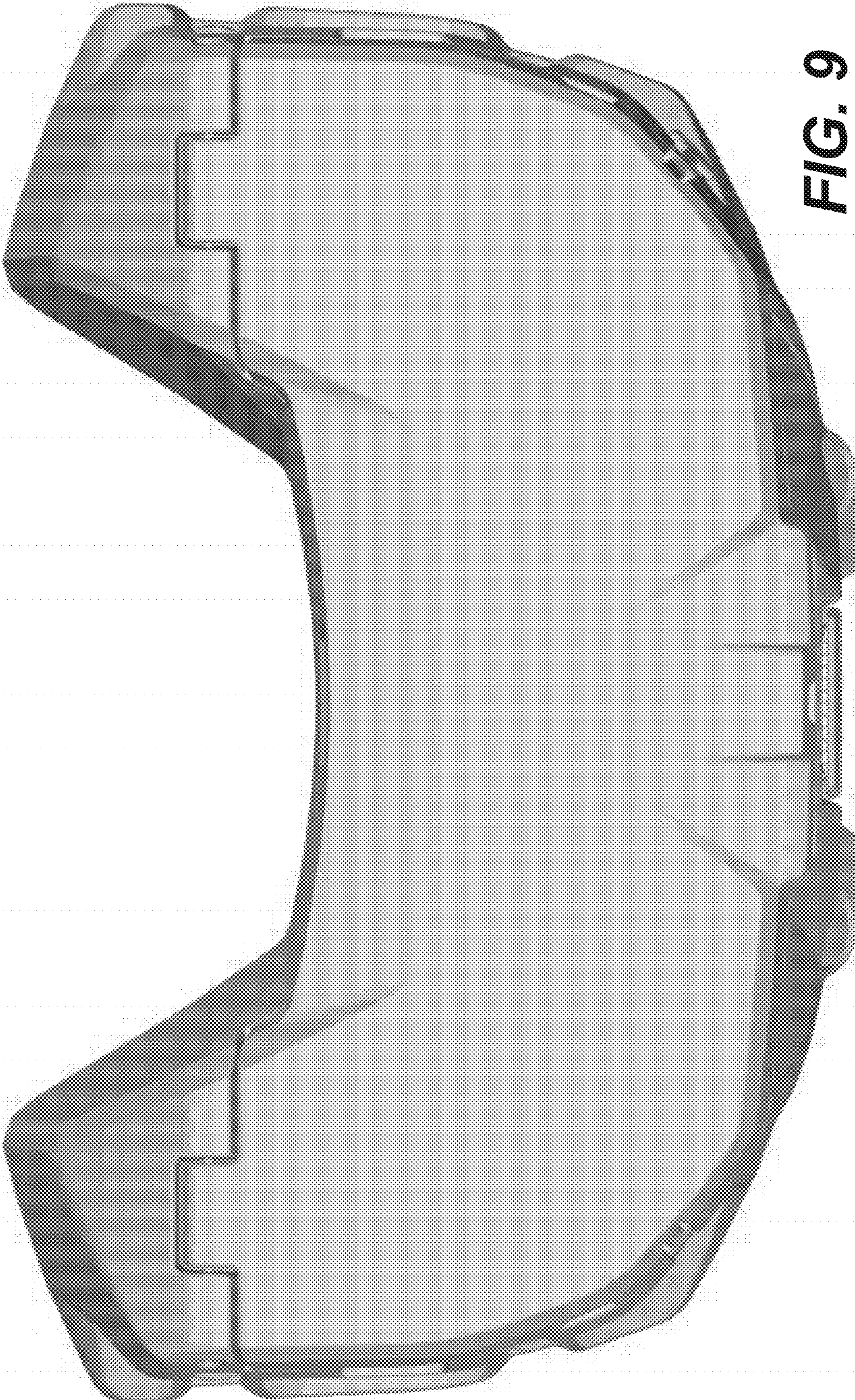


FIG. 9

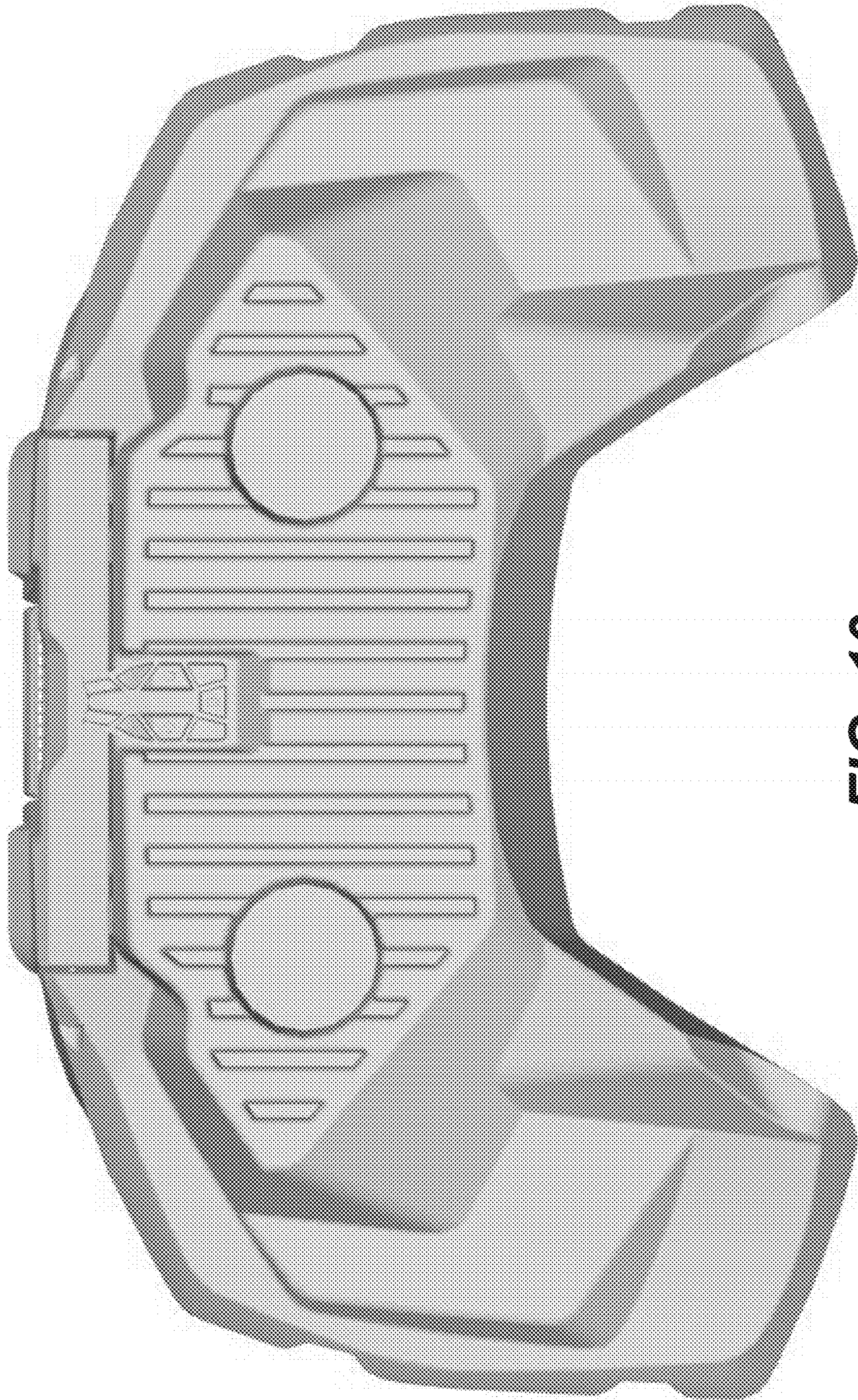


FIG. 10