



US00D911254S

(12) **United States Design Patent**
Bourassa et al.

(10) **Patent No.: US D911,254 S**

(45) **Date of Patent: ** Feb. 23, 2021**

(54) **CARGO BOX FOR A VEHICLE**

(71) Applicant: **BOMBARDIER RECREATIONAL PRODUCTS INC., Valcourt (CA)**

(72) Inventors: **Michel Bourassa, Sherbrooke (CA); Pierre-Luc Robillard, Sherbrooke (CA); Bart Vandenbogaard, Racine (CA); Stefan Djerkić, Montreal (CA)**

(73) Assignee: **BOMBARDIER RECREATIONAL PRODUCTS INC., Valcourt (CA)**

(**) Term: **15 Years**

(21) Appl. No.: **29/698,370**

(22) Filed: **Jul. 16, 2019**

(51) **LOC (13) Cl. 12-16**

(52) **U.S. Cl.**

USPC **D12/413**

(58) **Field of Classification Search**

USPC D12/93, 96, 98, 99, 100, 101, 114, 190, D12/196, 223, 400, 401, 404, 406, 407, D12/408, 409, 410, 412, 413, 414, 14.1; D3/274; D6/552

CPC B60R 9/00; B60R 9/02; B60R 9/04; B60R 9/06; B60R 9/08; B60R 9/10; B60R 9/045; B60R 9/048; B60R 9/055; B60R 9/058; B62J 7/00; B62J 7/04

See application file for complete search history.

(56) **References Cited**

U.S. PATENT DOCUMENTS

D243,392 S * 2/1977 Fairthorne D12/413
D258,650 S * 3/1981 Beaubien D12/410
D259,780 S * 7/1981 Davidson D12/410
4,588,114 A * 5/1986 Lebaron B62J 7/08
224/435
D287,237 S * 12/1986 Abe D12/410
D297,134 S * 8/1988 Levine D12/300
D343,603 S * 1/1994 Kamata D12/413
D343,815 S * 2/1994 Kamata D12/410

D346,144 S * 4/1994 Katz D12/409
D420,321 S * 2/2000 McCoy D12/413
D462,933 S * 9/2002 Itakura D12/410
D480,680 S * 10/2003 Yonai D12/410
D513,602 S * 1/2006 Lynch D12/413
D630,156 S * 1/2011 Farber D12/413
D656,081 S * 3/2012 Yonai D12/410
D670,230 S * 11/2012 Kataoka D12/410

(Continued)

FOREIGN PATENT DOCUMENTS

EM 000191572-001 S 9/2004

OTHER PUBLICATIONS

Grant Decision issued from the Rospatent on Sep. 4, 2020 in connection with the corresponding application No. 2020500053.

Primary Examiner — Michael A. Pratt

Assistant Examiner — Adam C Mager

(74) *Attorney, Agent, or Firm* — BCF LLP

(57)

CLAIM

The ornamental design for a cargo box for a vehicle, as shown and described.

DESCRIPTION

FIG. 1 is a perspective view taken from a front, left side of a cargo box for a vehicle according to our design;

FIG. 2 is a perspective view taken from a front, right side thereof;

FIG. 3 is a perspective view taken from a rear, right side thereof;

FIG. 4 is a perspective view taken from a rear, left side thereof;

FIG. 5 is a front elevation view thereof;

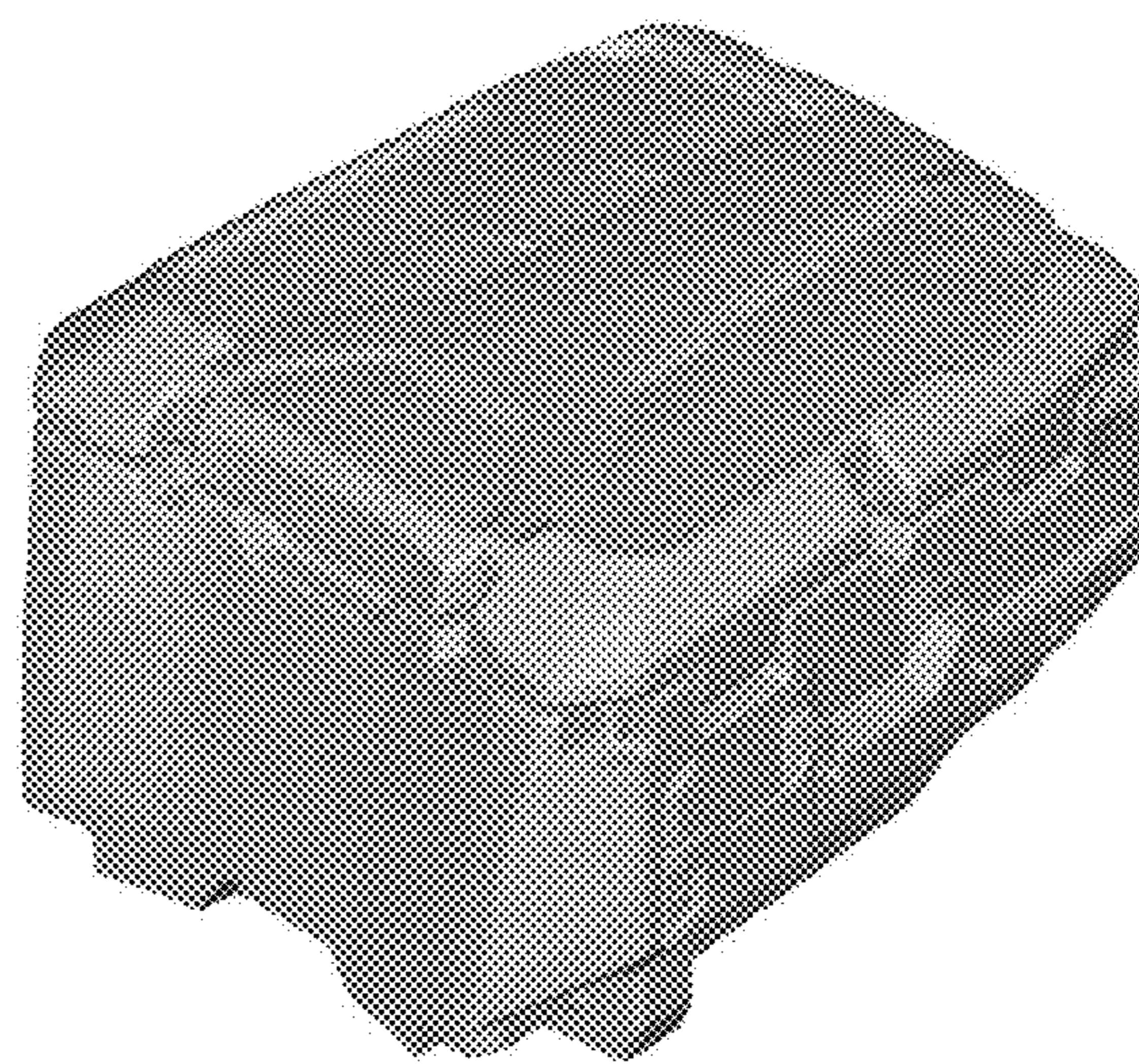
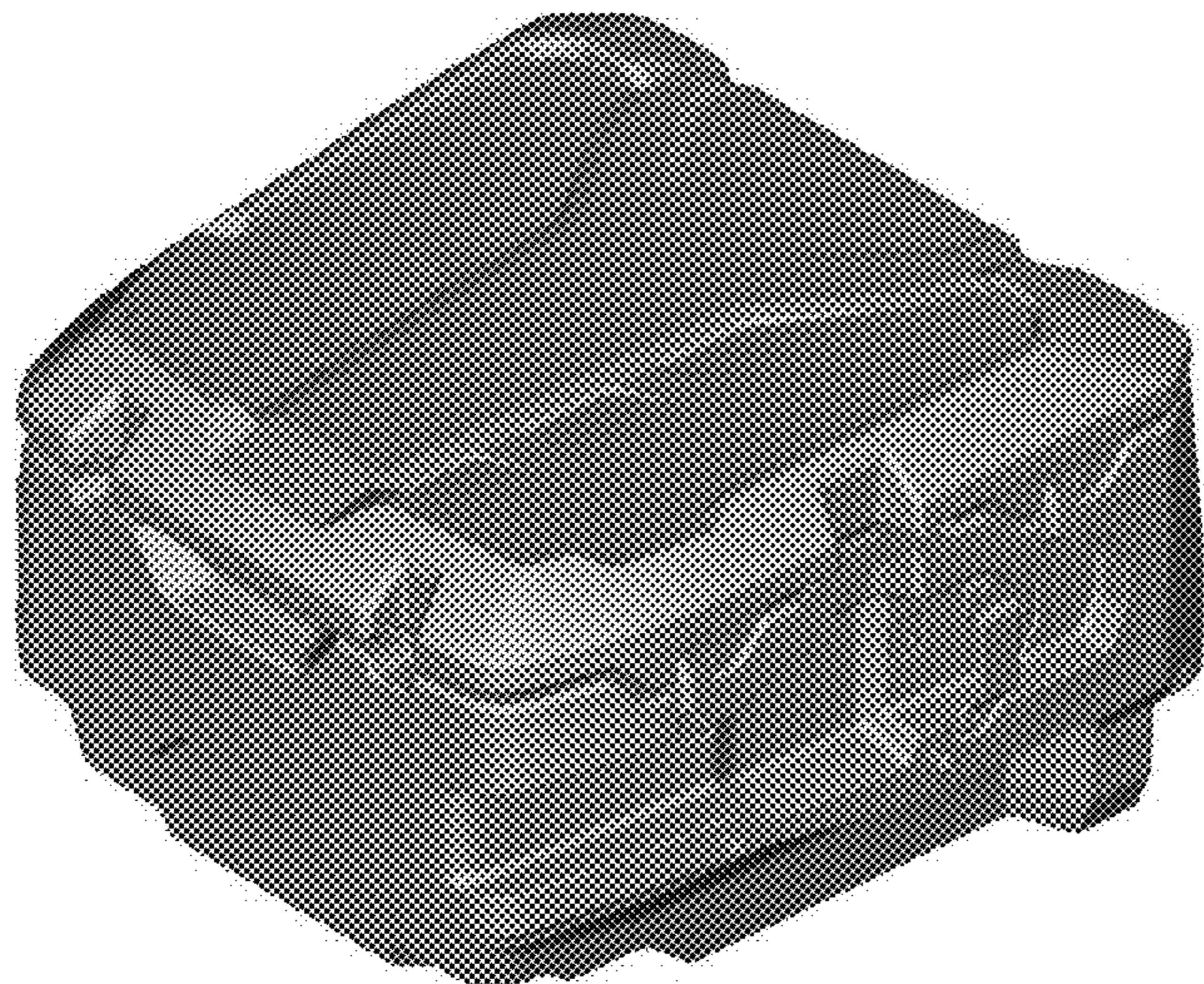
FIG. 6 is a rear elevation view thereof;

FIG. 7 is a right side elevation view thereof;

FIG. 8 is a left side elevation view thereof; and,

FIG. 9 is a bottom plan view thereof.

1 Claim, 9 Drawing Sheets



(56)

References Cited

U.S. PATENT DOCUMENTS

9,045,187 B2 * 6/2015 Komatsu B62K 19/40
9,623,927 B2 * 4/2017 Rehschuh B62J 9/00
9,821,870 B2 * 11/2017 Kitayama B62J 9/00
D863,203 S * 10/2019 Eriksson D12/413
2006/0162978 A1 * 7/2006 Thompson B62J 9/00
180/219
2010/0243691 A1 * 9/2010 Salisbury B62J 1/12
224/413
2018/0327041 A1 * 11/2018 Moroni B62J 11/00

* cited by examiner

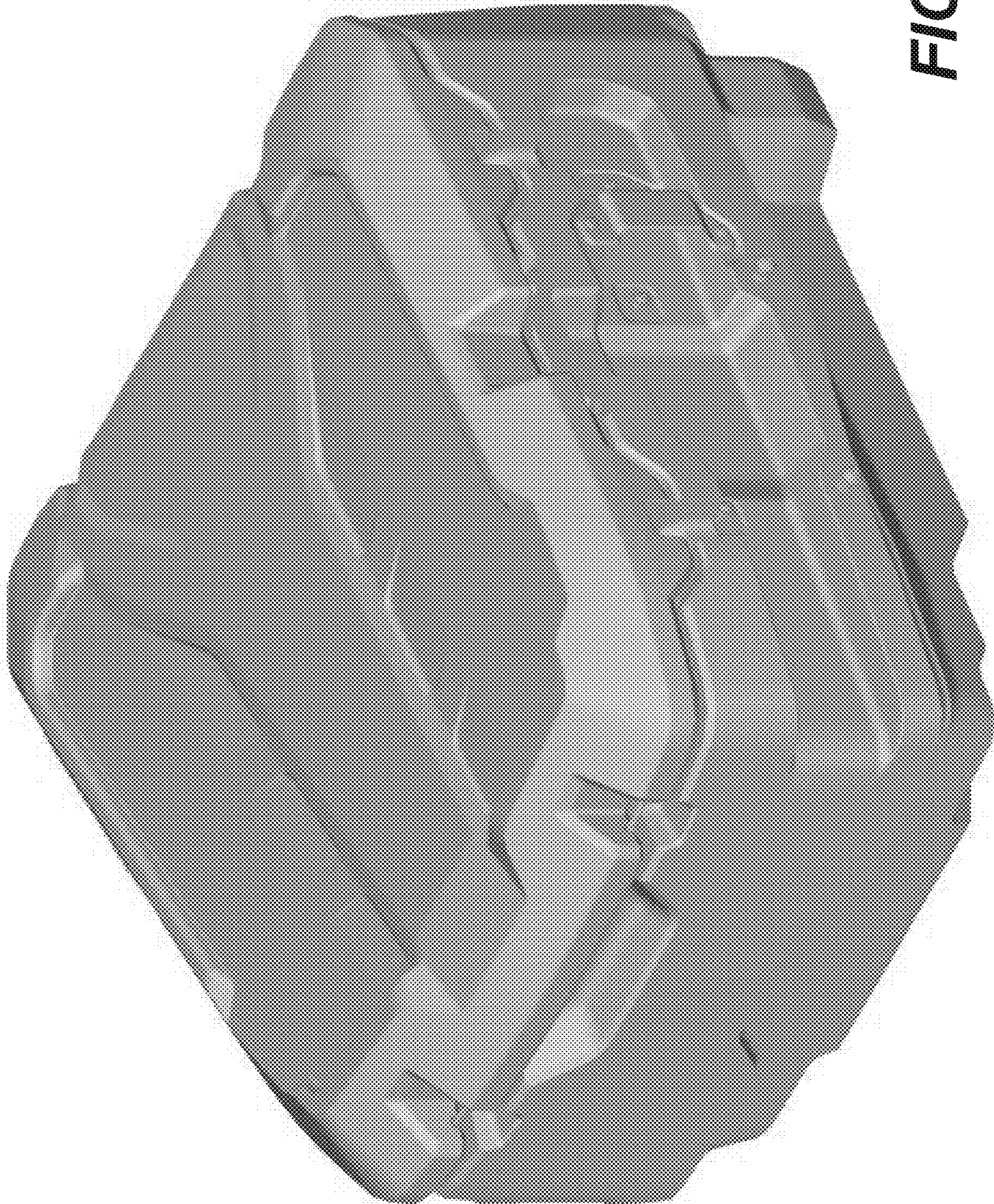


FIG. 1

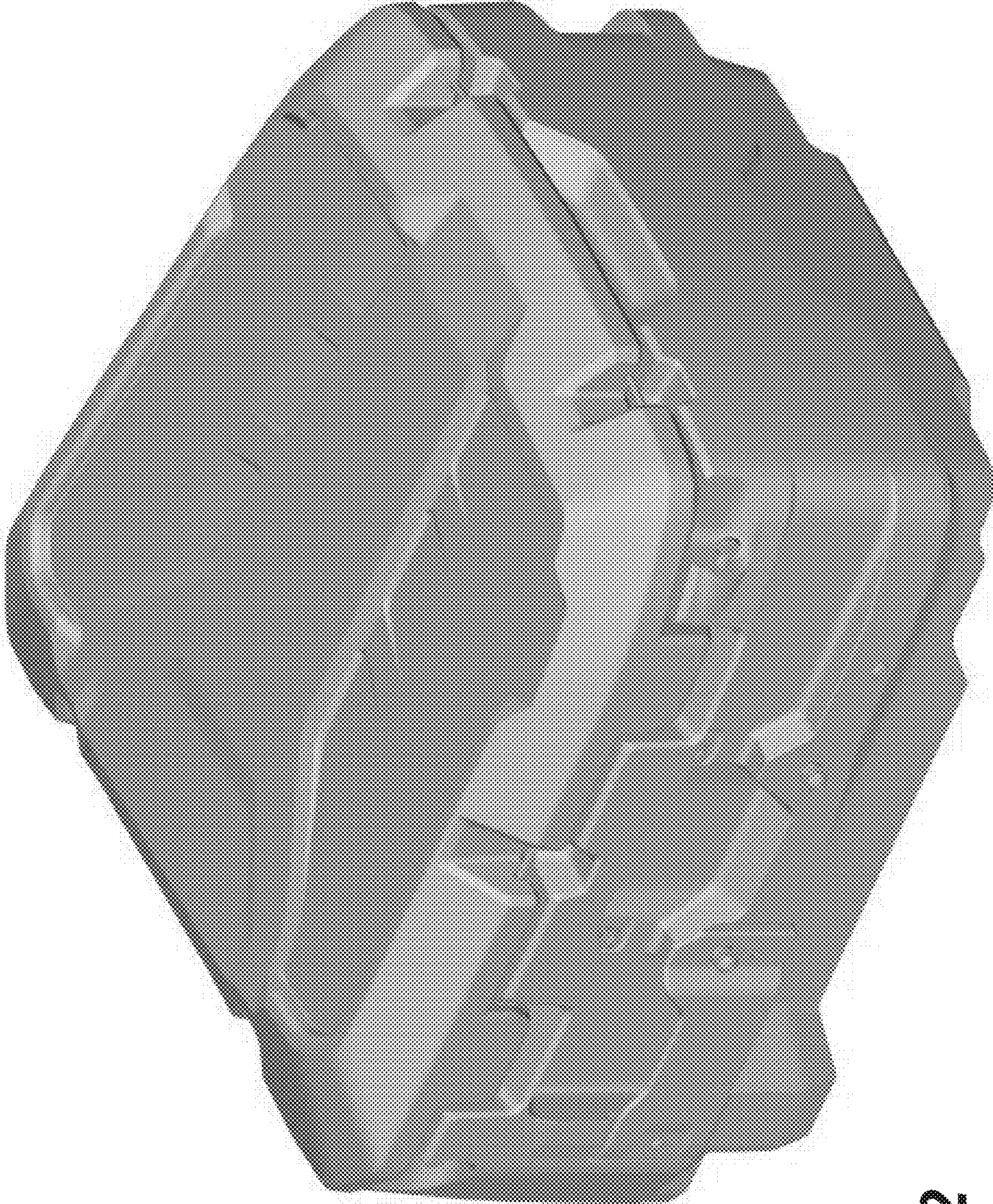


FIG. 2

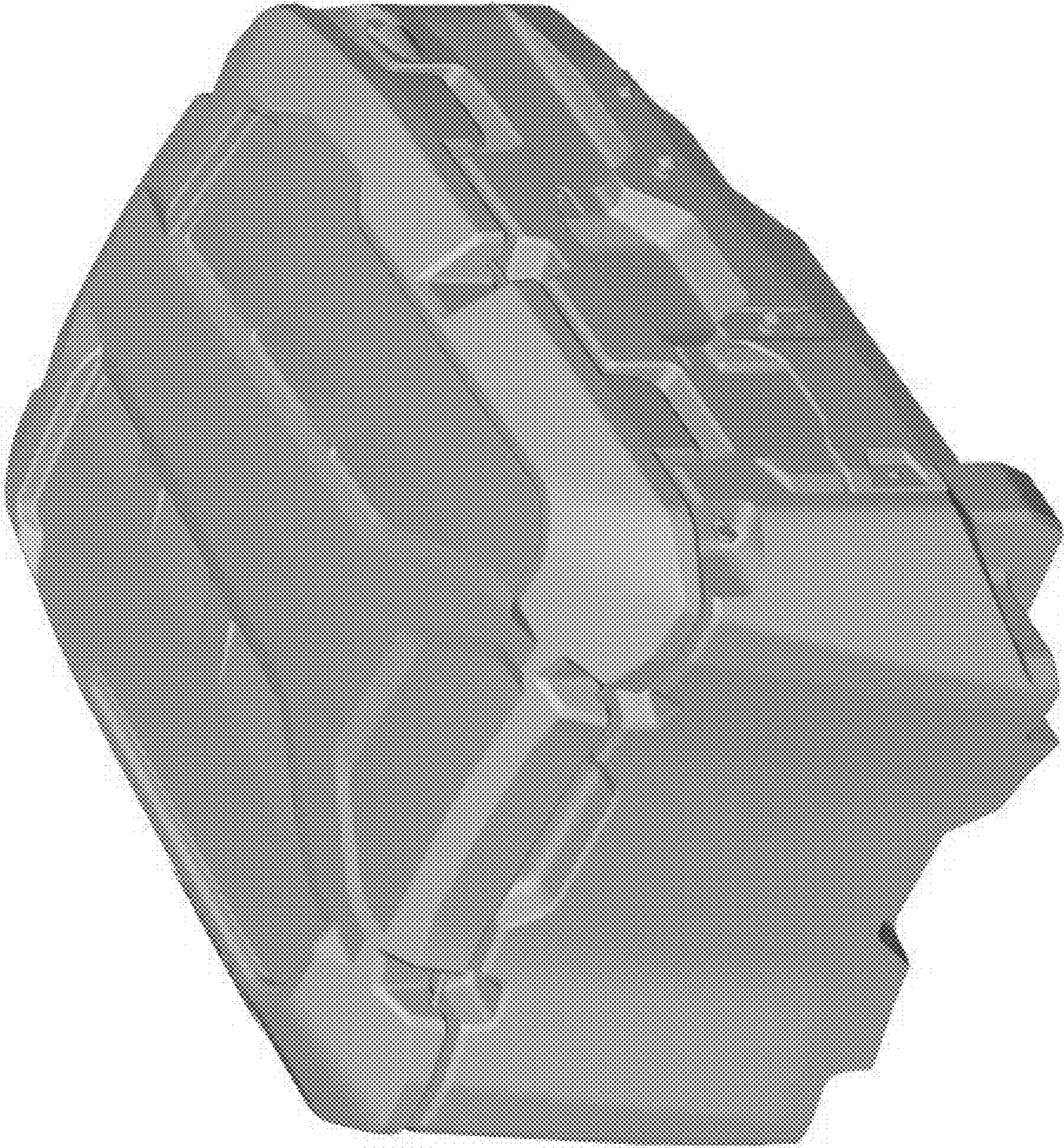


FIG. 3

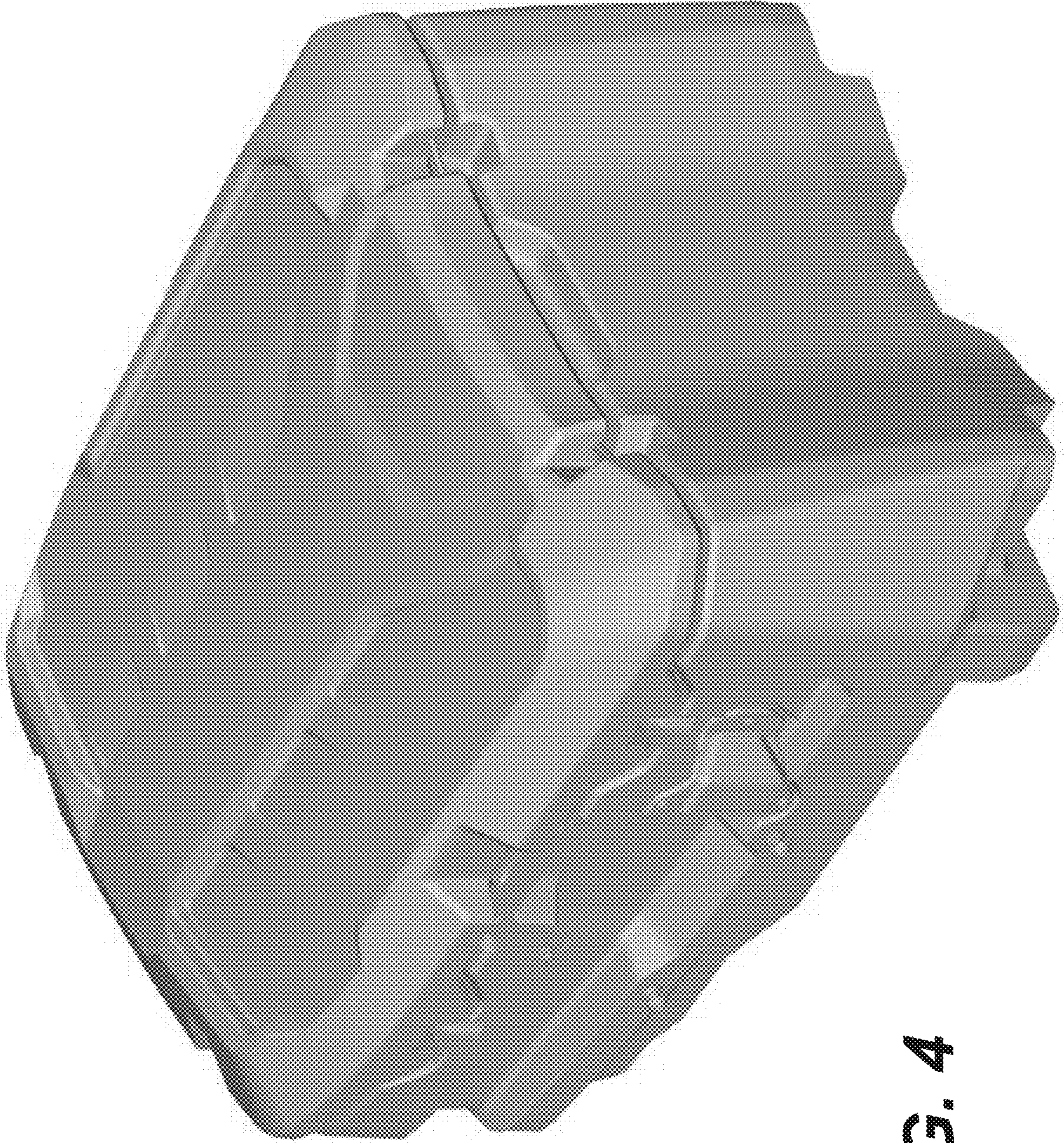


FIG. 4

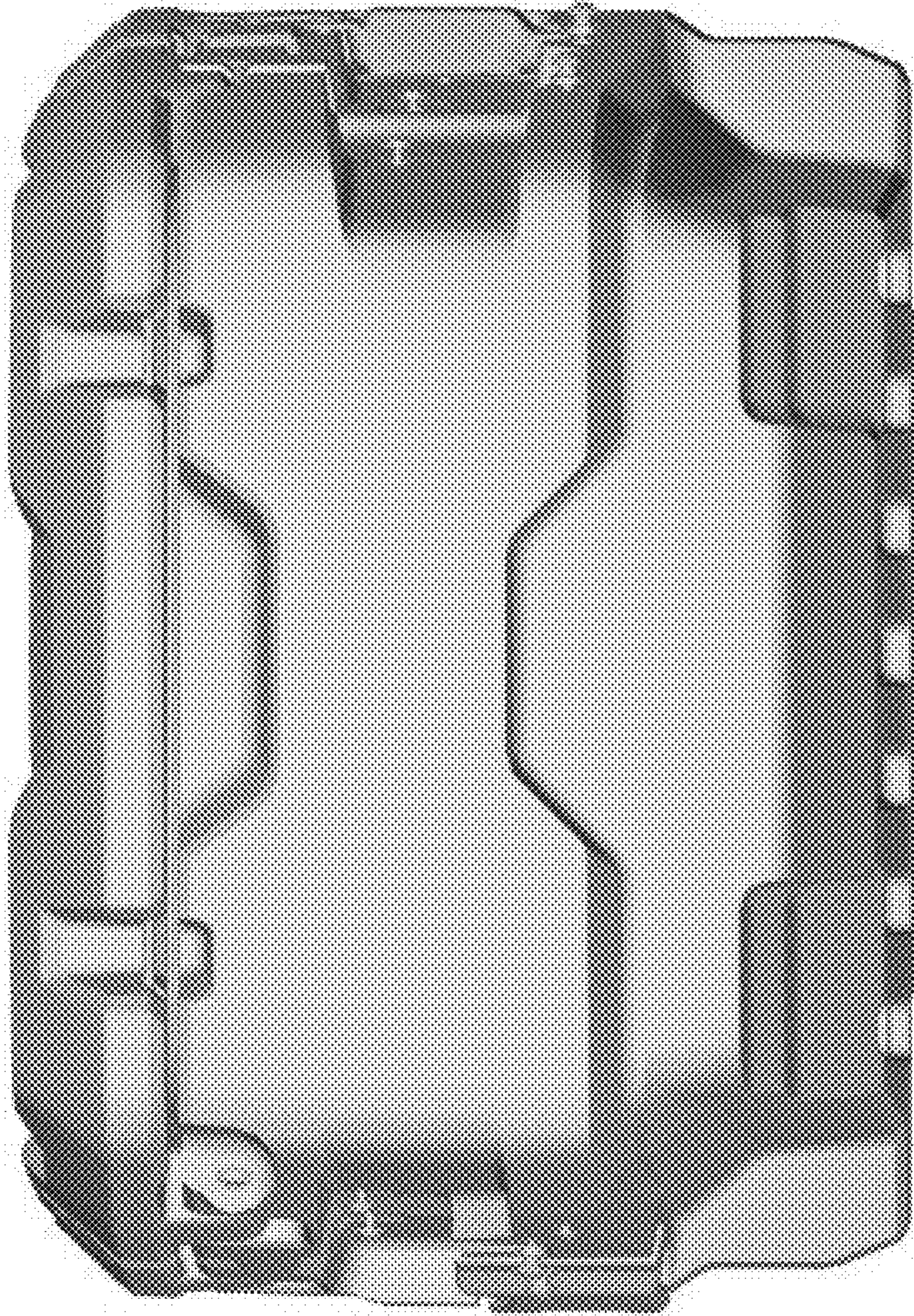


FIG. 5

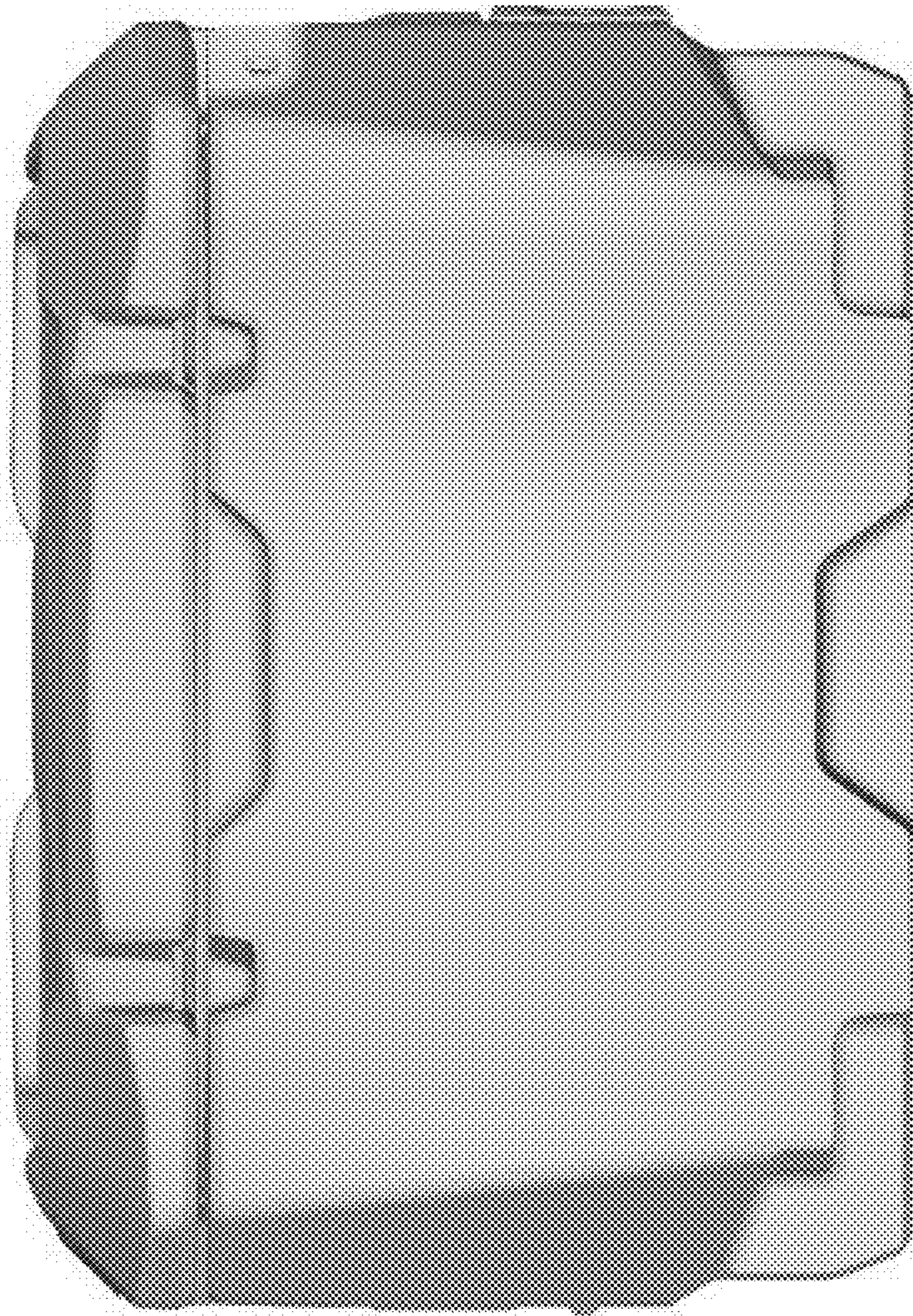


FIG. 6

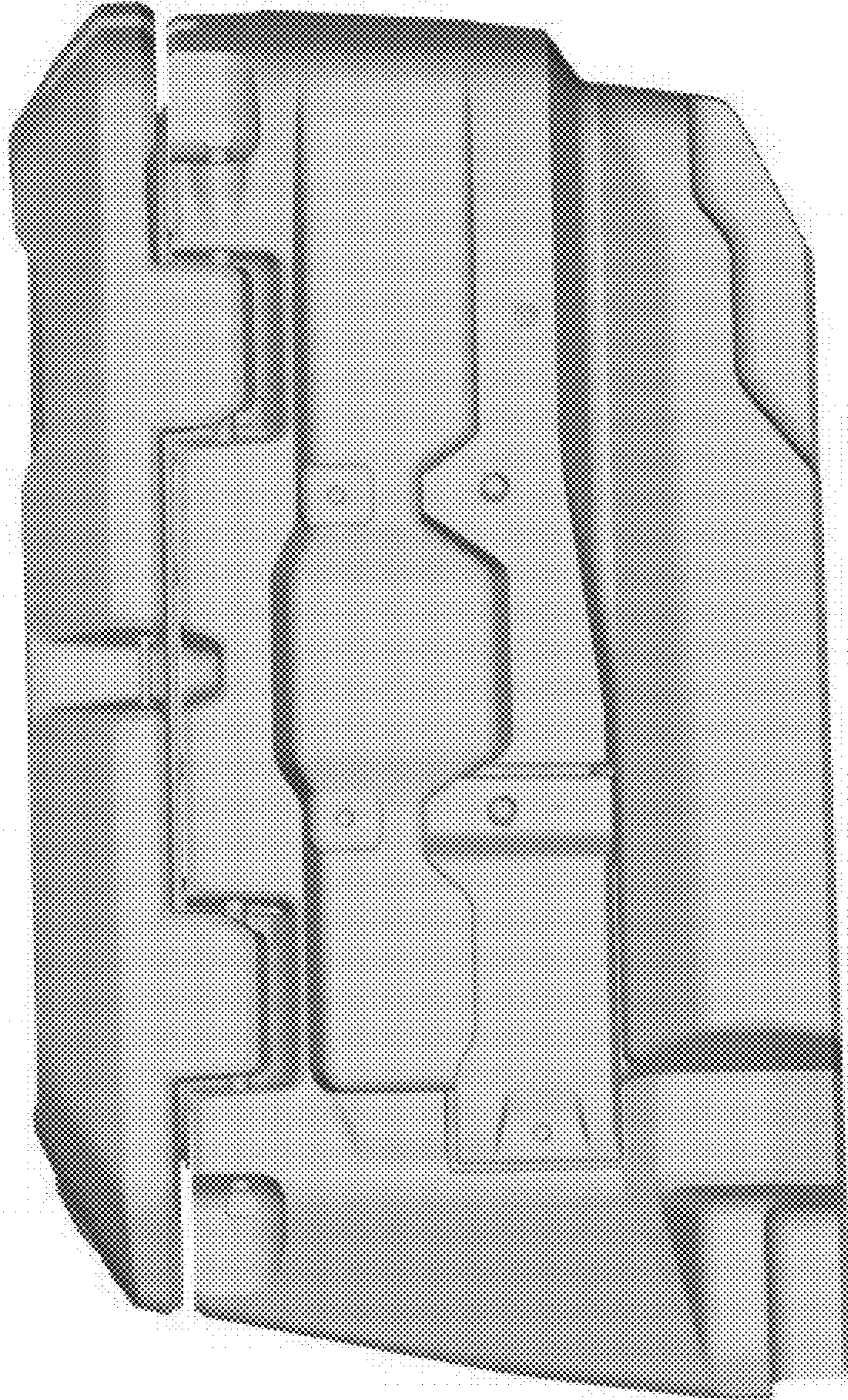


FIG. 7

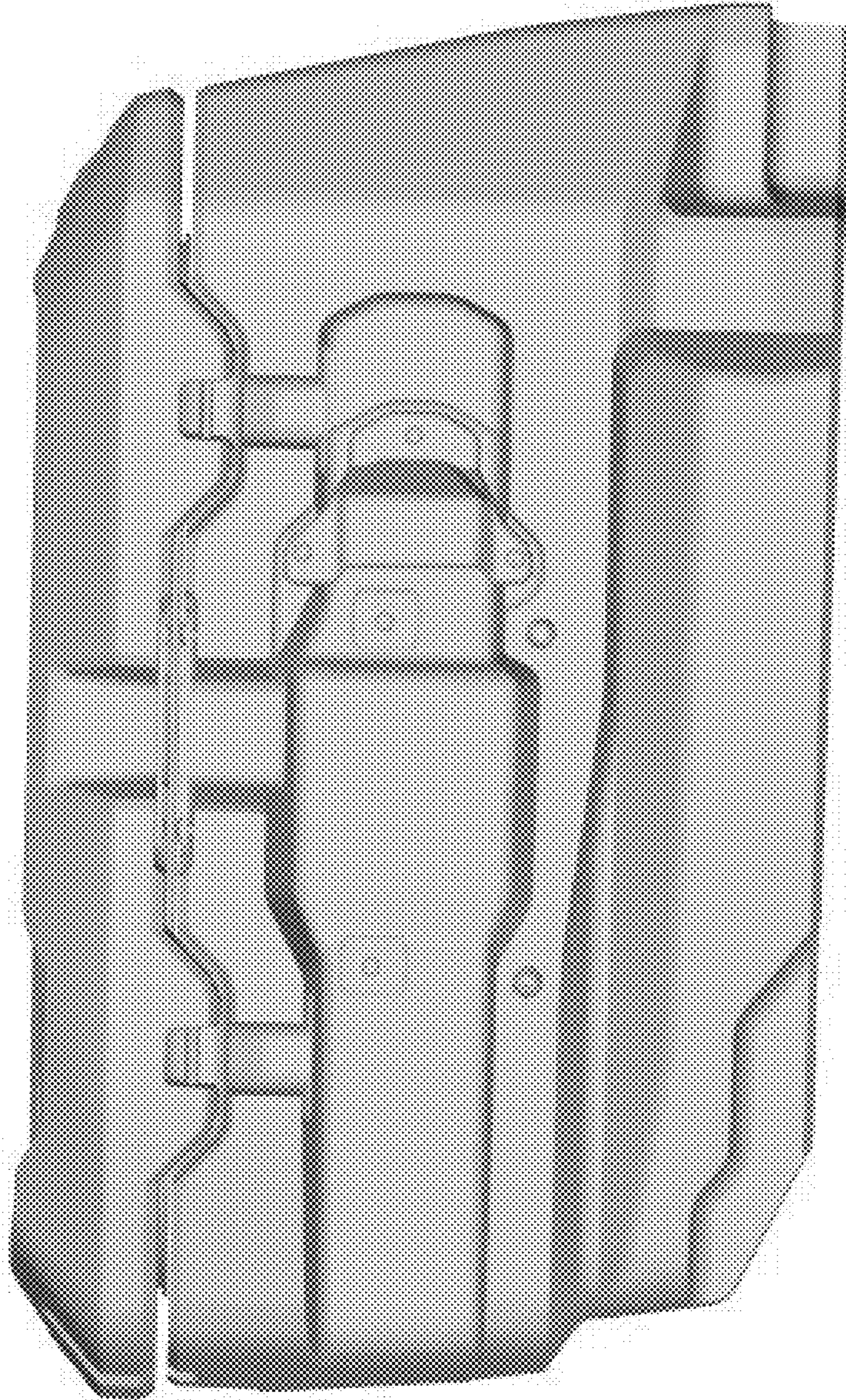


FIG. 8

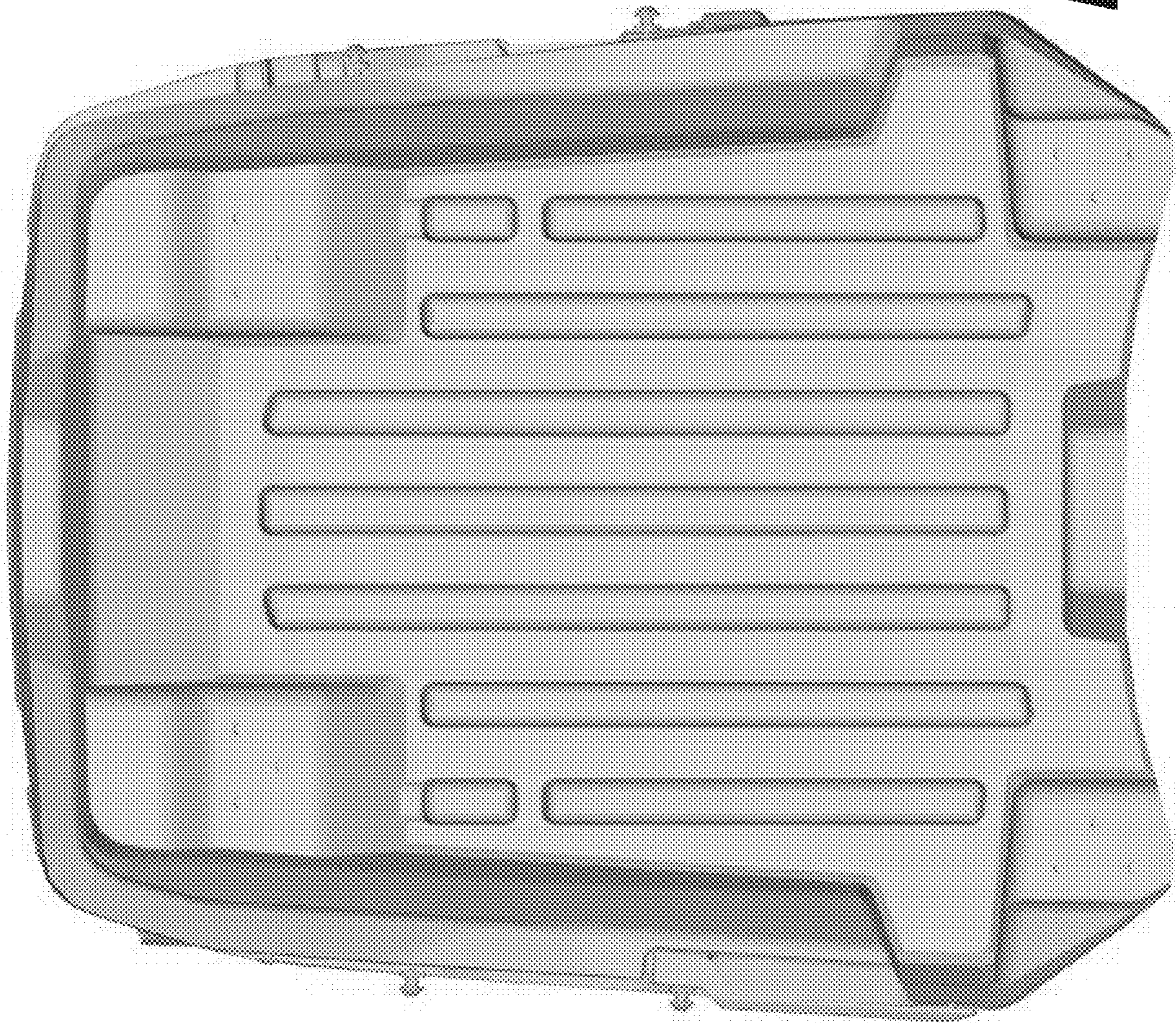


FIG. 9