



US00D911253S

(12) **United States Design Patent** (10) **Patent No.:** **US D911,253 S**
Wang (45) **Date of Patent:** **** Feb. 23, 2021**

(54) **BOAT RACK**

(71) Applicant: **Dennis H. Wang**, Baldwin Park, CA (US)

(72) Inventor: **Dennis H. Wang**, Baldwin Park, CA (US)

(**) Term: **15 Years**

(21) Appl. No.: **29/693,161**

(22) Filed: **May 31, 2019**

(51) **LOC (13) Cl.** **12-16**

(52) **U.S. Cl.**
USPC **D12/406**

(58) **Field of Classification Search**
USPC D12/6, 101, 317, 223, 412-414.1, 407, D12/408; D6/552, 329, 396, 449, D6/462-468, 512-514, 553, 566, 569, D6/570, 571, 510, 525, 681, 681.1, 672, D6/675, 680, 680.1, 680.2, 680.3, 681.2, D6/681.3, 682.2; D8/349, 354, 373, 380; D25/38.1, 39, 41.1, 42, 43, 44, 48.3, 48.5, D25/58, 60-69, 100, 102, 126, 127, 199; D30/114, 119, 133; D32/3, 58; D34/1, D34/4-6, 10, 12, 17, 20, 21, 23, 26, 28, D34/29, 31, 38, 35; 211/13.1, 85.7, 62, 211/68, 70.1, 70.2, 70.5, 70.6, 70.8, 65, 211/41.5, 41.4, 41.3, 41.8, 17-22, 182, 211/162, 175, 176, 205, 206, 5; 312/311, 312/333, 334.4; 198/837, 860.1, 861.1, 198/624, 643, 733, 732; 414/426-429, 414/462; 671/671, 676, 133, 134; 280/79.11, 79.3, 33.997, 47.19, 47.34, 280/47.35, 47.17, 79.4, 652, 33.991, 280/33.993, 38, 638, 35, 33.998, 13, 280/47.26, 293; 294/116, 104, 118, 323, 294/126, 300; 108/51.11, 901, 53.3, 54.1, 108/55.3, 56.1, 57.1; 296/3, 37.1; 224/402-406; 52/731.7, 731.6, 735.1,

(Continued)

(56) **References Cited**

U.S. PATENT DOCUMENTS

2,299,823 A * 10/1942 Juculano E04G 1/32
182/182.3
2,479,035 A * 8/1949 Burkey B60P 3/1016
414/462

(Continued)

OTHER PUBLICATIONS

Construct a Japanese Torii Gate for Your Garden, Instructables.com, by BlueRock in Living, [online], [site visited Jun. 10, 2020]. < URL: <https://www.instructables.com/id/Construct-a-Japanese-Torii-Gate-for-Your-Garden/>> (Year: 2020).*

(Continued)

Primary Examiner — T Chase Nelson
Assistant Examiner — Jonathan J. Han

(74) *Attorney, Agent, or Firm* — Alan D. Kamrath; Karin L. Williams; Mayer & Williams PC

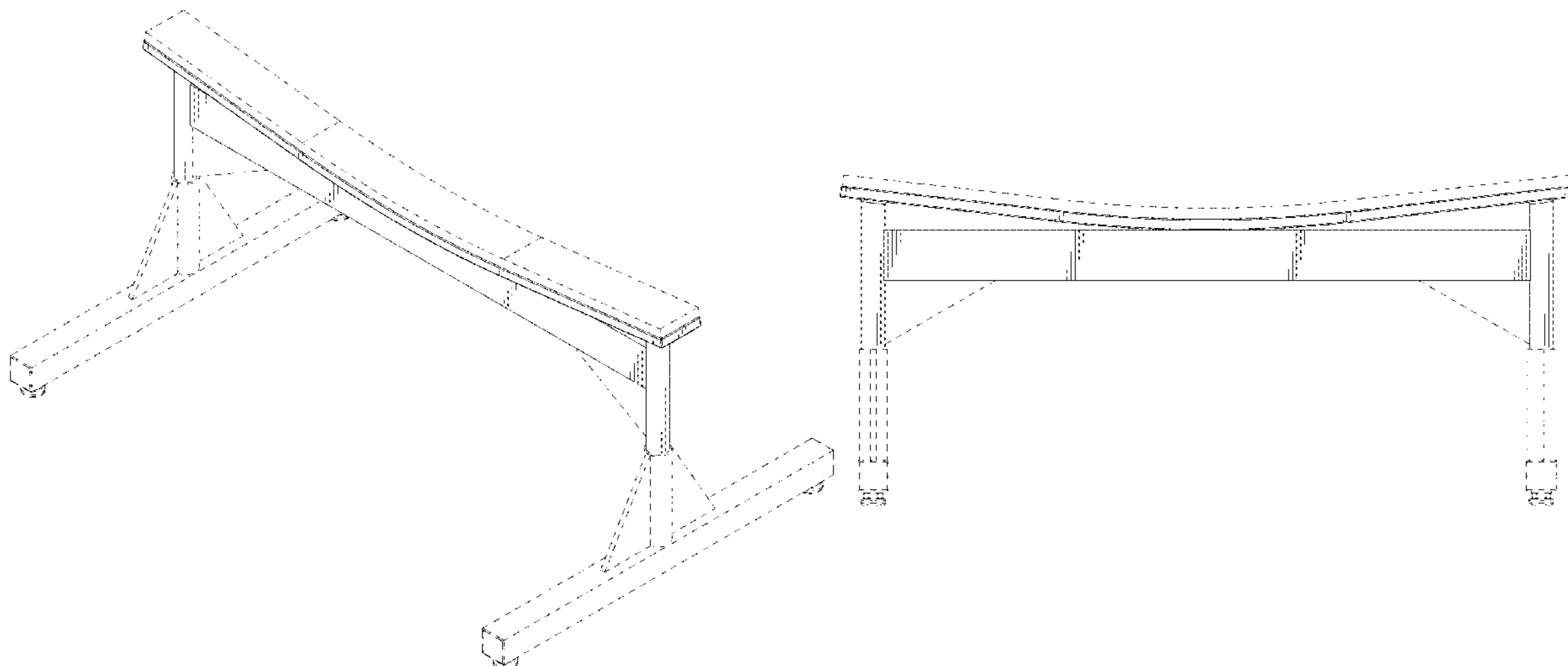
(57) **CLAIM**

The ornamental design for a boat rack, as shown and described.

DESCRIPTION

FIG. 1 is a perspective view of a boat rack showing my new design;
FIG. 2 is a front view thereof;
FIG. 3 is a rear view thereof;
FIG. 4 is a left view thereof;
FIG. 5 is a right view thereof;
FIG. 6 is a top view thereof; and,
FIG. 7 is a bottom view thereof.
The broken lines depict portions of the boat rack that form no part of the claimed design.

1 Claim, 7 Drawing Sheets



(58) **Field of Classification Search**

USPC 52/737.6; 248/682, 302, 303; D20/41;
 D21/811, 814, 818, 826
 CPC . A63B 210/22; A63B 2102/24; A47B 81/005;
 A47L 15/505; A47L 15/503; A47L
 15/0013; A47L 19/02; A47L 19/04; A47J
 47/20; B08B 11/00; B08B 11/02; B08B
 7/0071; B44D 3/16; B62B 3/10; B62B
 3/00; B62B 3/04; B62B 5/0093; B62B
 5/0438; B62B 3/16; B62B 1/006; B65D
 2519/00323; B65D 2519/00293; B65D
 2519/00333; B65D 2519/00019; B65D
 2519/00338

See application file for complete search history.

(56) **References Cited**

U.S. PATENT DOCUMENTS

2,892,661 A * 6/1959 French E04G 1/15
 182/119
 D200,401 S * 2/1965 Olson D34/18
 3,357,578 A * 12/1967 Koenig B60P 3/1016
 414/462
 3,594,035 A * 7/1971 Ferguson B60P 3/40
 296/3
 4,240,615 A * 12/1980 Sickler E04H 17/1413
 256/60
 D302,890 S * 8/1989 Ng D34/21
 D330,296 S * 10/1992 Keong D6/654.11
 D330,297 S * 10/1992 Keong D6/653.11
 D330,298 S * 10/1992 Keong D6/653.11
 5,328,067 A * 7/1994 Lalush B60R 9/00
 224/309
 D382,513 S * 8/1997 Bozzone D11/131
 5,660,637 A * 8/1997 Dodge B05B 13/0285
 118/500
 D389,336 S * 1/1998 Moore D6/650
 D389,667 S * 1/1998 Moore D6/650
 5,890,835 A * 4/1999 Basta B63C 3/06
 114/44
 D434,587 S * 12/2000 Beard, Sr. D21/796
 D444,446 S * 7/2001 Carter D12/406
 D466,331 S * 12/2002 Chang D6/681.1
 D481,094 S * 10/2003 Van Deusen D21/820
 D553,257 S * 10/2007 Biancardi D25/48.5
 7,296,836 B1 * 11/2007 Sabo B60P 3/40
 296/3
 D577,326 S * 9/2008 Vaughn D12/317

D582,256 S * 12/2008 Templeton D12/101
 D600,532 S * 9/2009 Templeton D12/101
 7,641,251 B1 * 1/2010 Stepanians B60P 3/40
 224/405
 D623,713 S * 9/2010 Lamberty A63B 69/14
 D21/802
 D699,912 S * 2/2014 Macklin D34/38
 8,662,366 B1 * 3/2014 DeZonia B60R 9/04
 224/405
 D722,007 S * 2/2015 Ting D12/414
 D725,338 S * 3/2015 Pulskamp D34/34
 D748,887 S * 2/2016 Macklin D34/38
 D759,170 S * 6/2016 Louis D21/686
 D793,644 S * 8/2017 Walter D34/17
 D794,982 S * 8/2017 Palma D6/656.17
 D798,018 S * 9/2017 Walter D34/17
 D798,019 S * 9/2017 Walter D34/21
 D798,991 S * 10/2017 Lopez D22/134
 D802,241 S * 11/2017 Hlavac D34/24
 D802,339 S * 11/2017 Hykamp D6/675
 D803,144 S * 11/2017 Schwartz D12/408
 D810,378 S * 2/2018 Walter D34/12
 D837,475 S * 1/2019 Yeo D34/17
 D839,526 S * 1/2019 Stauffer D34/28
 D840,127 S * 2/2019 Walter D34/21
 D855,274 S * 7/2019 Kopp D34/17
 D855,921 S * 8/2019 Yu B62B 3/022
 D34/12
 D858,927 S * 9/2019 Wolford D34/14
 D874,383 S * 2/2020 Hammer D12/406
 D878,266 S * 3/2020 Perry D12/193
 D882,199 S * 4/2020 Cao D32/55
 D883,719 S * 5/2020 Li D6/675.1
 D886,476 S * 6/2020 Killinger D6/336

OTHER PUBLICATIONS

Hongsalmun, TheSeoulGuide.com, [online], [site visited Jun. 10, 2020]. <URL: <https://www.theseoulguide.com/architecture/hongsalmun/>> (Year: 2020).*

Everlift Power Tower 4-IN-1 Multi-Function Station Fitness Gym Equipment, AllGoods.co.nz, [online], [site visited Jun. 10, 2020]. <URL: <https://allgoods.co.nz/product/426741>> (Year: 2020).*

Full Scribe vs Timber Frame vs Post and Beam Log Home, ArtisanLogHomes.com, [online], [site visited Jun. 10, 2020]. <URL: <https://www.artisanloghomes.com/log-homes-101/what-are-the-differences-between-a-full-scribe-log-home-post-beam-timber-frame-and-hybrid-log-homes/>> (Year: 2020).*

* cited by examiner

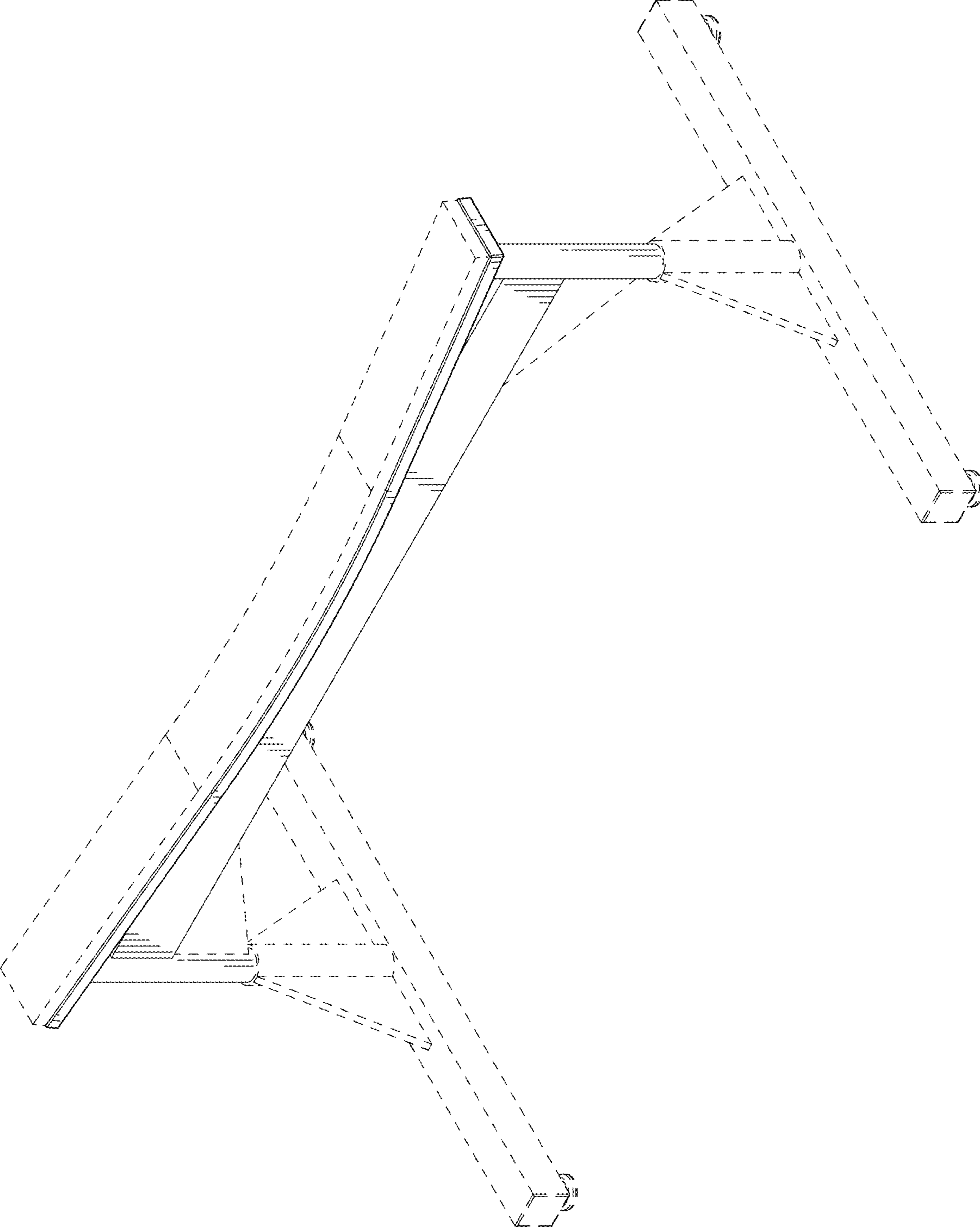


FIG. 1

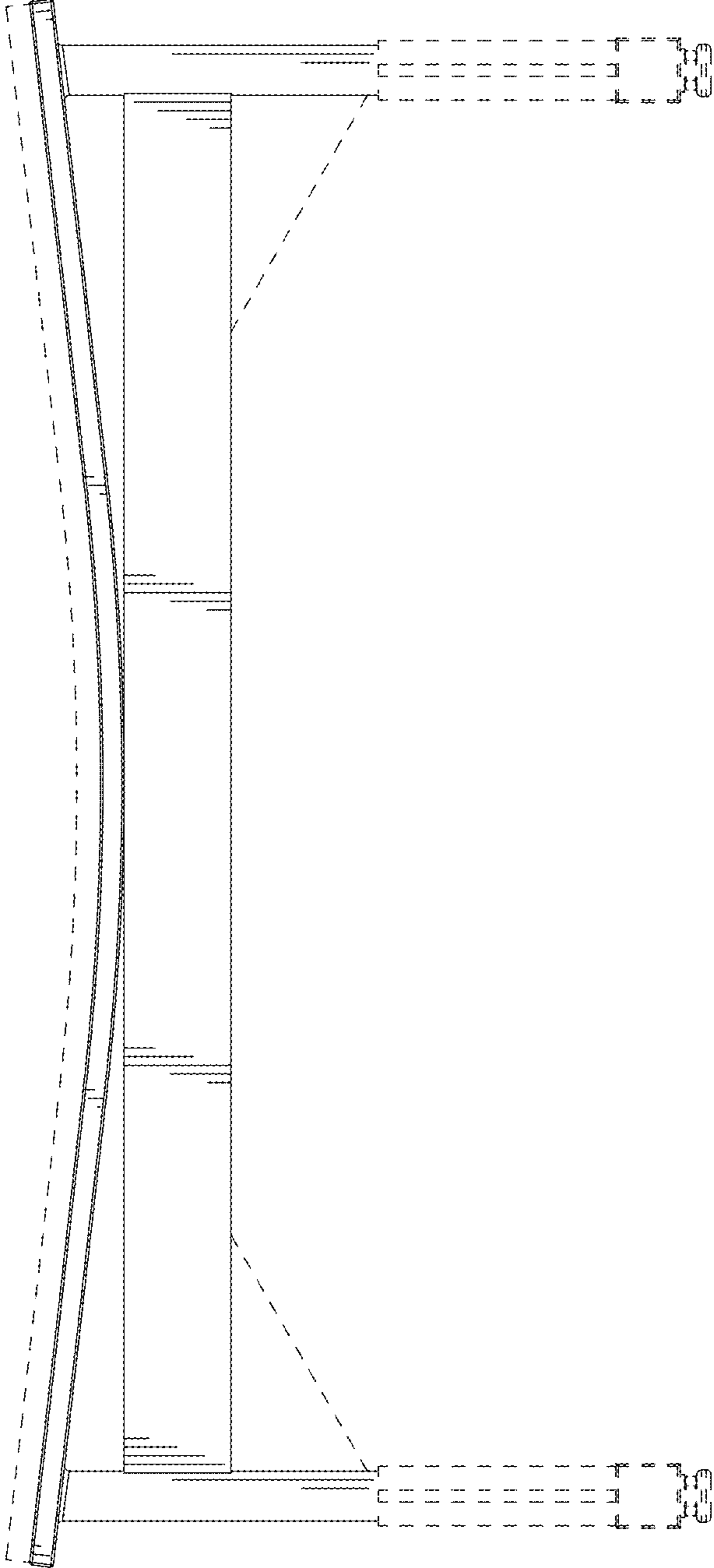


FIG. 2

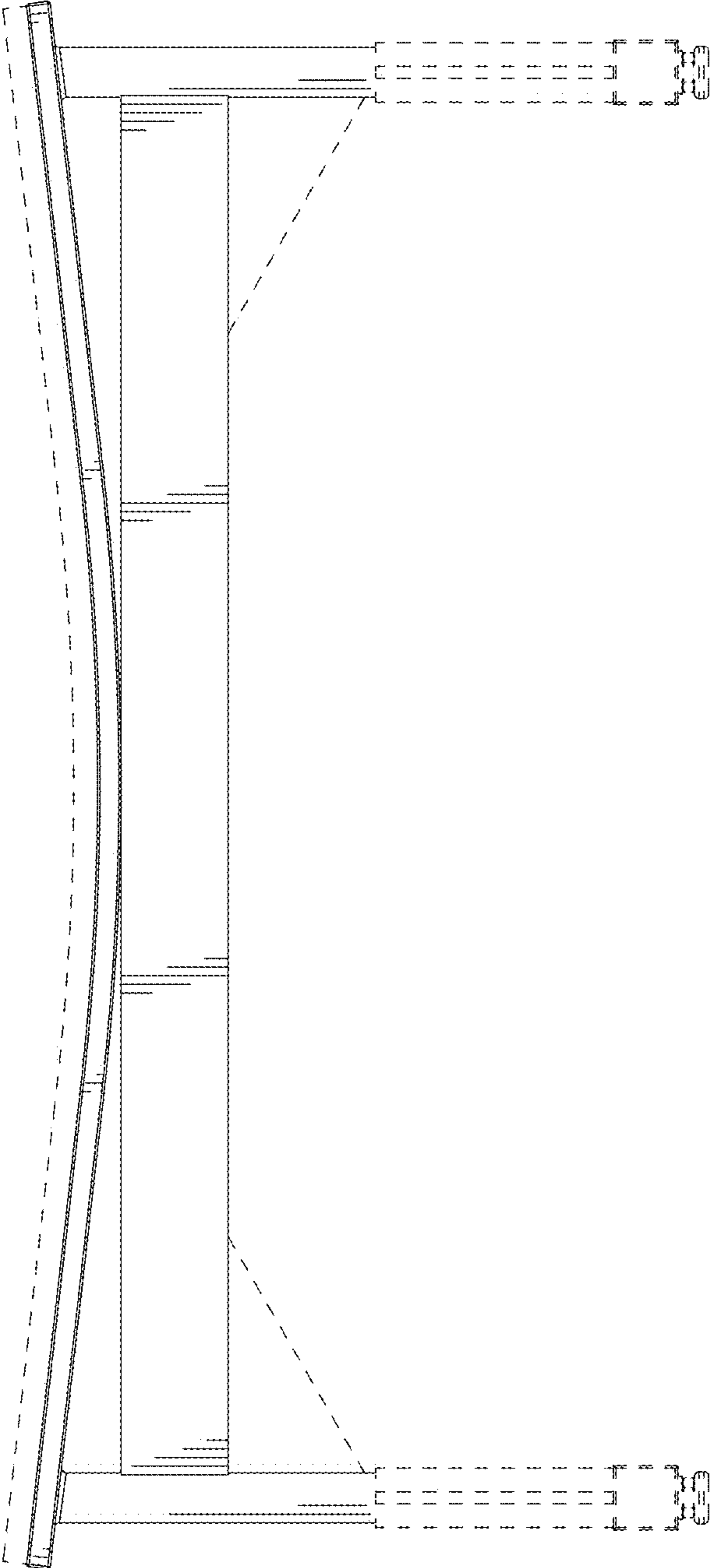


FIG. 3

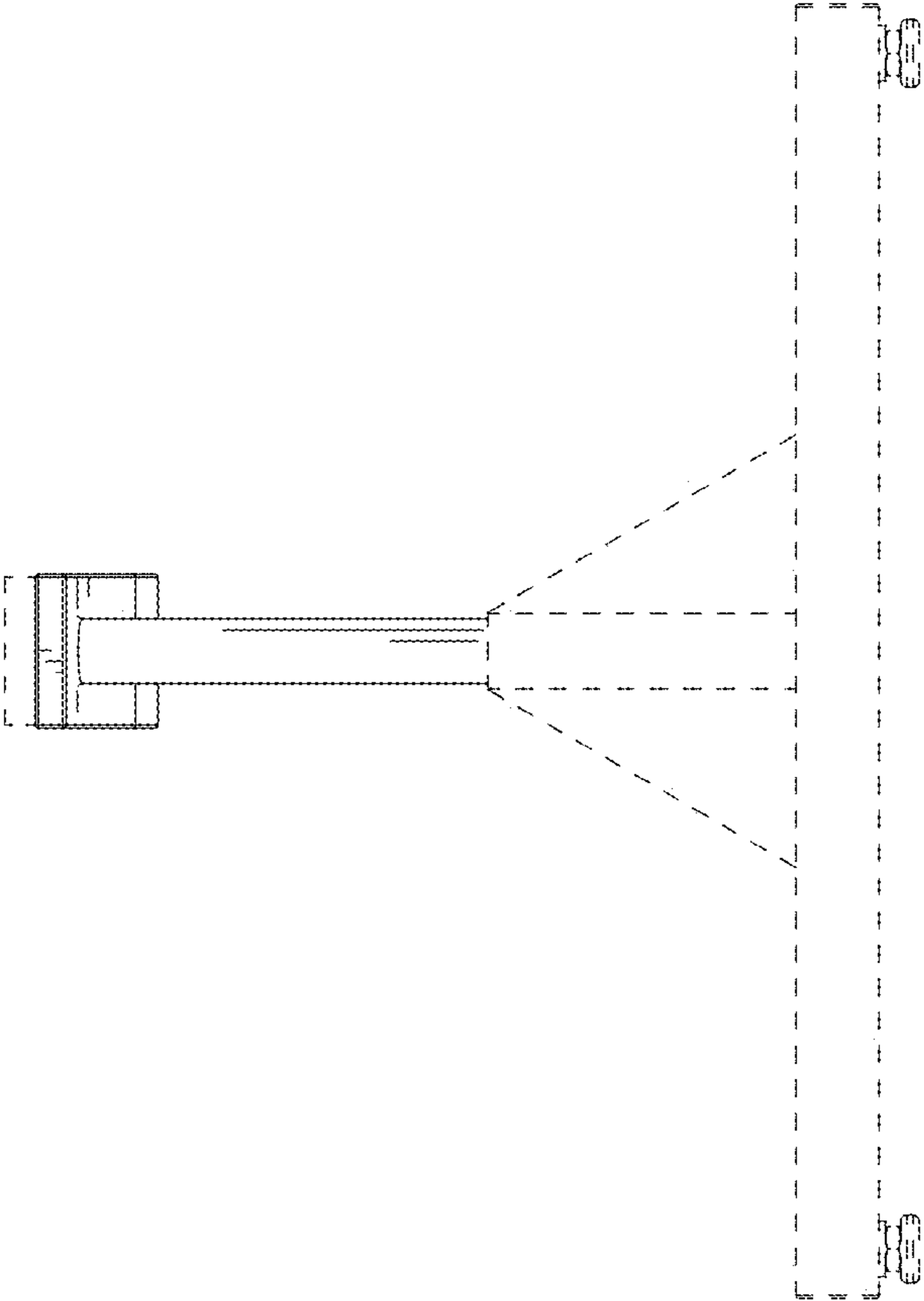


FIG. 4

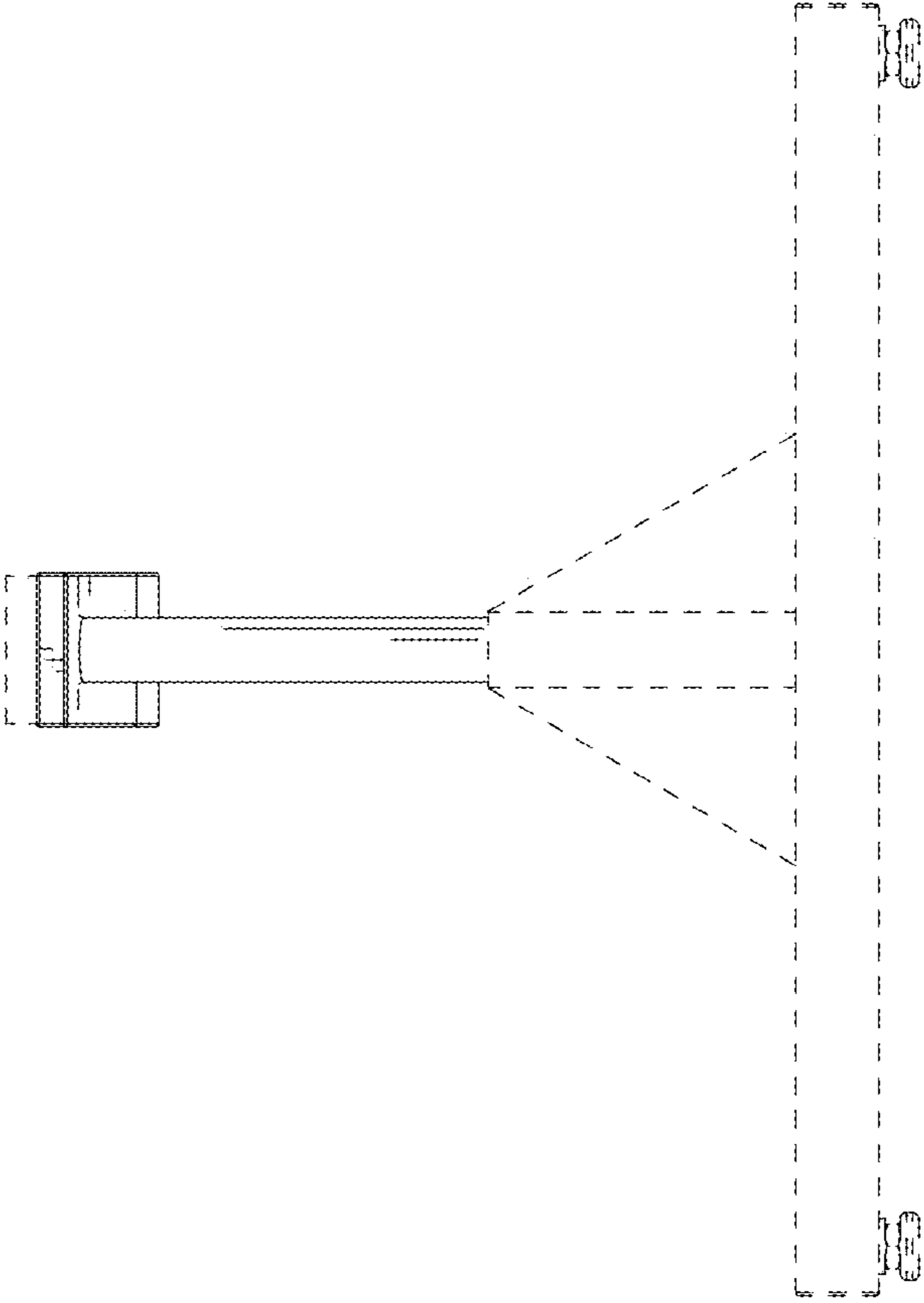


FIG. 5

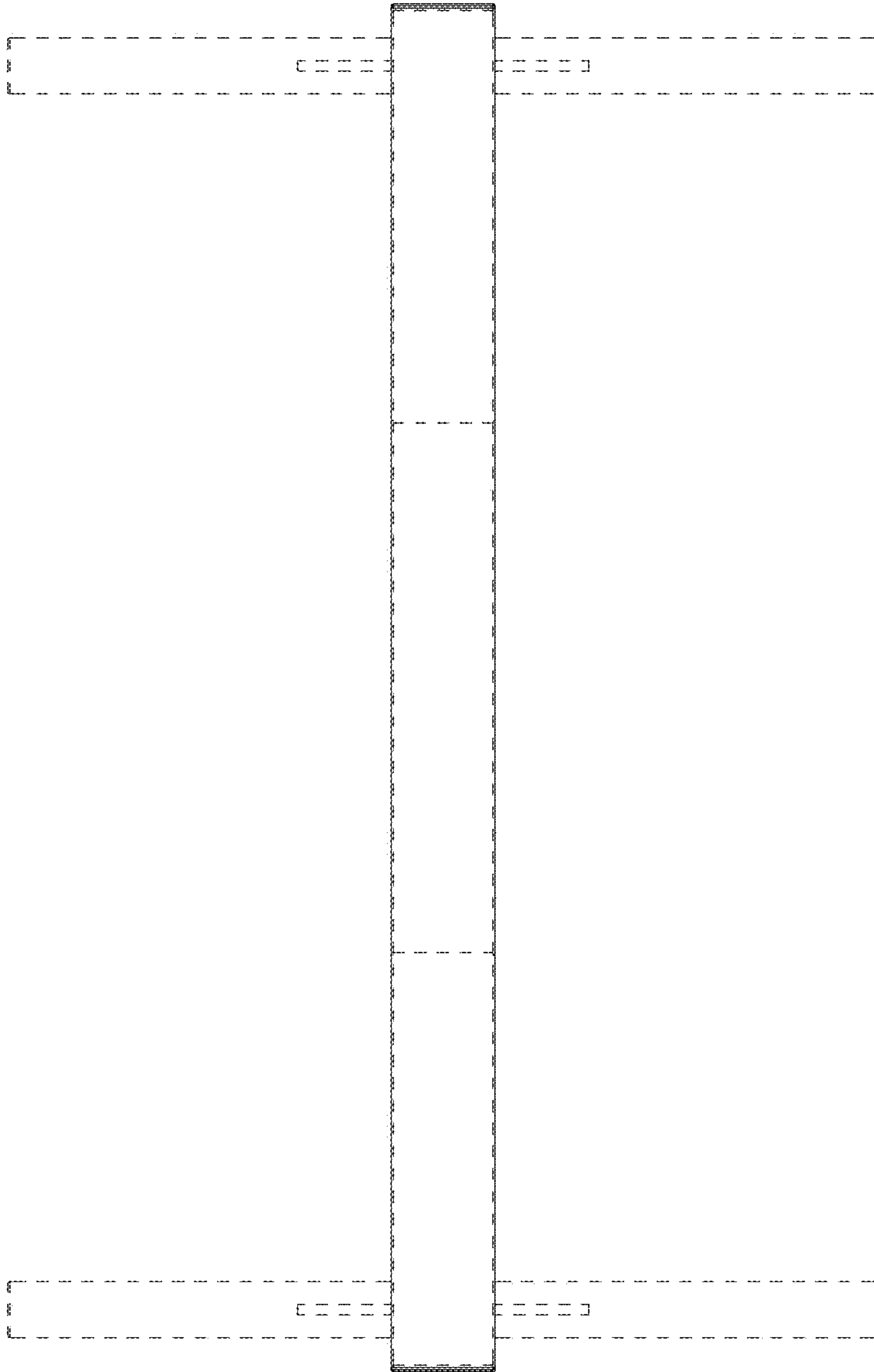


FIG. 6

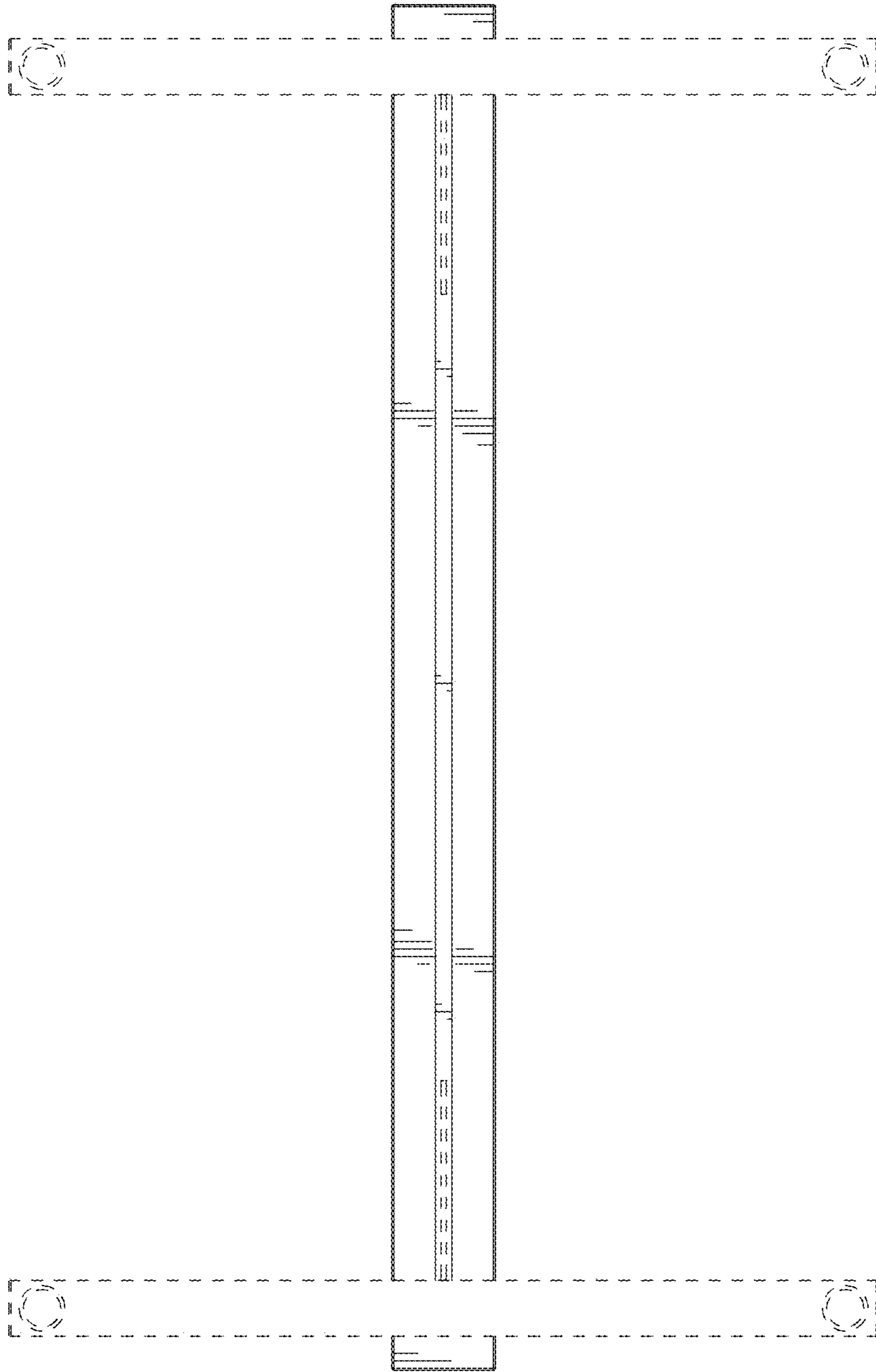


FIG. 7