



US00D911252S

(12) **United States Design Patent** (10) **Patent No.:** **US D911,252 S**  
**Muratovic** (45) **Date of Patent:** **\*\* Feb. 23, 2021**

(54) **CAR COVER**  
(71) Applicant: **Mirsad Muratovic**, Kissimmee, FL (US)  
(72) Inventor: **Mirsad Muratovic**, Kissimmee, FL (US)  
(\*\*) Term: **15 Years**  
(21) Appl. No.: **29/701,462**  
(22) Filed: **Aug. 12, 2019**  
(51) **LOC (13) Cl.** ..... **12-16**  
(52) **U.S. Cl.**  
USPC ..... **D12/401**  
(58) **Field of Classification Search**  
USPC ..... D12/401, 403  
CPC . B60J 11/00; B60J 11/025; B60J 11/04; B60J 11/06  
See application file for complete search history.

5,167,267 A \* 12/1992 McQuaid ..... B60J 11/00  
150/154  
5,176,421 A \* 1/1993 Fasiska ..... B60J 11/02  
150/166  
5,275,460 A 1/1994 Kraus  
5,306,347 A \* 4/1994 Semle ..... B05B 12/24  
118/504  
5,456,515 A 10/1995 Dang  
5,497,819 A \* 3/1996 Chiang ..... B60J 11/00  
150/166  
D374,651 S \* 10/1996 Townsend ..... D12/401  
5,597,196 A \* 1/1997 Gibbs ..... B60J 11/02  
160/326

(Continued)

FOREIGN PATENT DOCUMENTS

KR 10-1111729 2/2012  
*Primary Examiner* — Michael A. Pratt  
*Assistant Examiner* — Adam C Mager  
(74) *Attorney, Agent, or Firm* — Matthew G. McKinney, Esq.; Allen, Dyer et al.

(56) **References Cited**

U.S. PATENT DOCUMENTS

3,653,497 A \* 4/1972 Hornstein ..... B65D 75/002  
206/335  
4,274,077 A \* 6/1981 Feiger ..... B60R 25/10  
296/136.03  
4,355,839 A \* 10/1982 Rosen ..... B60R 25/00  
150/166  
4,596,418 A \* 6/1986 Koh ..... B60J 11/00  
150/166  
4,795,207 A \* 1/1989 Clarke ..... B60J 11/00  
150/166  
4,827,997 A \* 5/1989 Rolan ..... B32B 27/12  
150/166  
4,842,324 A 6/1989 Carden  
4,938,522 A \* 7/1990 Herron ..... B60J 11/00  
150/166  
4,973,100 A \* 11/1990 Yang ..... B60J 11/00  
150/166  
5,112,098 A \* 5/1992 Lichtmann ..... B60J 11/00  
296/136.07

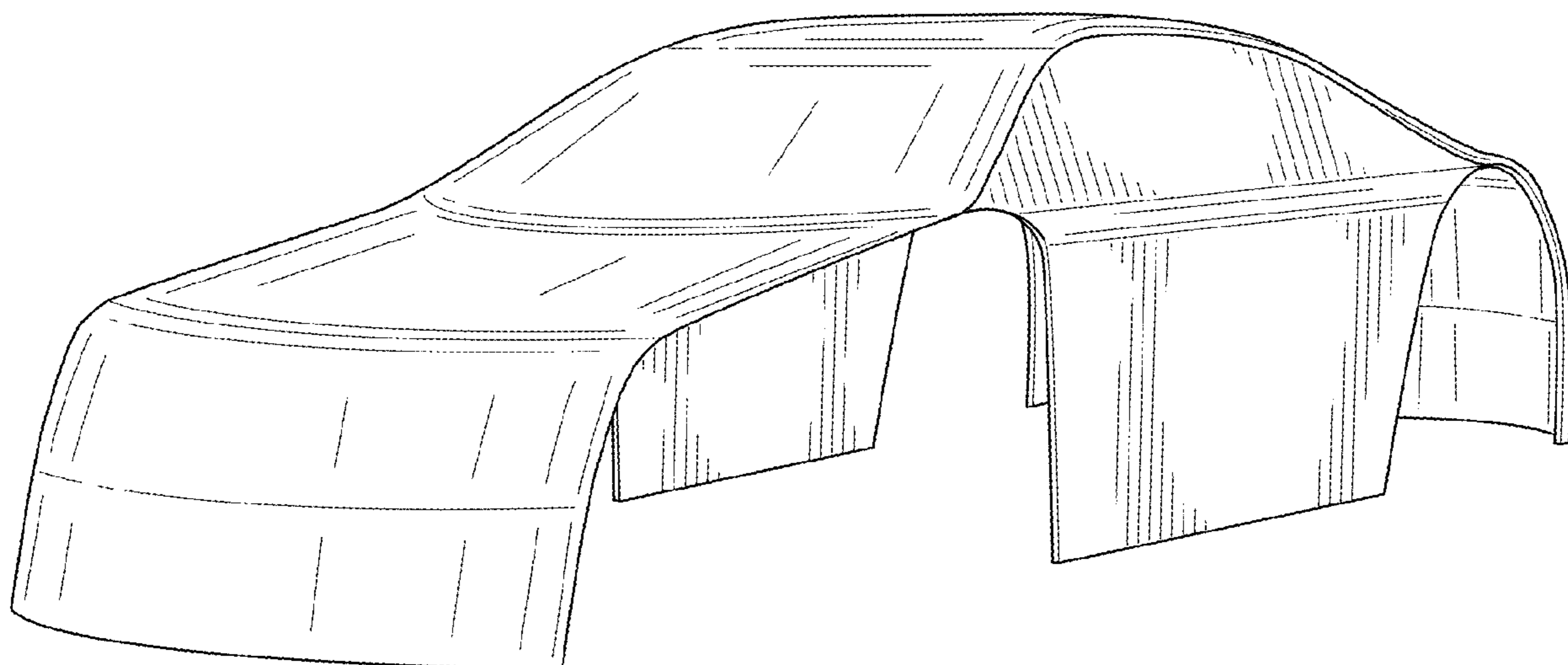
(57) **CLAIM**

The ornamental design for a car cover, as shown and described.

**DESCRIPTION**

FIG. 1 is a perspective view of a car cover showing my new design;  
FIG. 2 is a front elevational view thereof;  
FIG. 3 is a rear elevational view thereof;  
FIG. 4 is a right side elevational view thereof;  
FIG. 5 is a left side elevational view thereof;  
FIG. 6 is a top plan view thereof;  
FIG. 7 is a bottom plan view thereof; and,  
FIG. 8 is a perspective view thereof.  
In the drawings, the broken lines in FIG. 8 depict a car and form no part of the claimed design.

**1 Claim, 6 Drawing Sheets**



(56)

References Cited

U.S. PATENT DOCUMENTS

|              |      |         |                    |                          |              |      |         |                      |                          |
|--------------|------|---------|--------------------|--------------------------|--------------|------|---------|----------------------|--------------------------|
| 5,800,006    | A *  | 9/1998  | Pettigrew .....    | B60J 11/00<br>150/166    | 2005/0151391 | A1 * | 7/2005  | Bryd .....           | B60J 11/00<br>296/136.1  |
| 5,845,958    | A    | 12/1998 | Rudys et al.       |                          | 2007/0284023 | A1 * | 12/2007 | Sitarz .....         | B60J 11/00<br>150/166    |
| 5,915,399    | A *  | 6/1999  | Yang .....         | B60J 11/00<br>135/119    | 2008/0174144 | A1 * | 7/2008  | Coleman .....        | B60J 11/06<br>296/136.02 |
| 6,318,393    | B1 * | 11/2001 | Glasgo .....       | B60J 11/00<br>135/88.05  | 2009/0078845 | A1 * | 3/2009  | Koszeghy .....       | B60J 11/00<br>248/503    |
| 6,439,644    | B1 * | 8/2002  | Jester .....       | B60J 11/00<br>135/119    | 2011/0140478 | A1 * | 6/2011  | Devereaux .....      | B60J 11/00<br>296/136.02 |
| 6,513,858    | B1   | 2/2003  | Li et al.          |                          | 2011/0156436 | A1 * | 6/2011  | Eggeman-Steffen .... | B60J 11/04<br>296/136.01 |
| 6,547,313    | B2 * | 4/2003  | Syron .....        | B05B 12/24<br>118/505    | 2013/0320703 | A1 * | 12/2013 | Jagiello .....       | B60J 11/04<br>296/136.01 |
| D511,132     | S *  | 11/2005 | Stover .....       | D12/401                  | 2014/0265421 | A1 * | 9/2014  | Chang .....          | B60J 11/04<br>296/95.1   |
| 7,036,867    | B1 * | 5/2006  | Yang .....         | B60J 11/00<br>150/166    | 2014/0352601 | A1 * | 12/2014 | Carlson .....        | B60J 11/04<br>116/30     |
| 7,100,965    | B1 * | 9/2006  | Stover .....       | B60J 11/00<br>296/136.03 | 2015/0114532 | A1 * | 4/2015  | Yang .....           | B60J 11/04<br>150/166    |
| 7,360,820    | B2   | 4/2008  | Tellez             |                          | 2015/0174994 | A1 * | 6/2015  | Tavelli .....        | B60J 11/04<br>150/167    |
| 7,963,581    | B1 * | 6/2011  | Miller .....       | B60J 11/04<br>296/95.1   | 2015/0367717 | A1 * | 12/2015 | Hu .....             | B60J 11/04<br>296/136.04 |
| 9,126,475    | B2   | 9/2015  | Niyogi             |                          | 2016/0050718 | A1 * | 2/2016  | Follman .....        | B60J 11/04<br>219/201    |
| 9,499,035    | B1 * | 11/2016 | Chashchukhin ..... | B60J 11/04               | 2016/0207385 | A1 * | 7/2016  | Ward .....           | B60J 11/04               |
| 9,517,685    | B2 * | 12/2016 | Stelzer .....      | B60J 11/04               | 2016/0311299 | A1 * | 10/2016 | White .....          | B60J 11/04               |
| 9,701,185    | B1 * | 7/2017  | Usanga .....       | B60J 11/02               | 2016/0339772 | A1 * | 11/2016 | Acosta .....         | B60J 11/04               |
| 9,783,034    | B2   | 10/2017 | Yafouz             |                          | 2017/0326958 | A1 * | 11/2017 | Whitfield .....      | B60J 11/04               |
| 9,889,732    | B2   | 2/2018  | Helb               |                          | 2017/0326959 | A1 * | 11/2017 | Taylor .....         | B60J 11/04               |
| 10,336,171   | B2   | 7/2019  | Chaul, Sr.         |                          | 2019/0381877 | A1 * | 12/2019 | Otky .....           | B60J 11/04               |
| 2002/0113458 | A1 * | 8/2002  | Heiland .....      | B60J 11/08<br>296/136.01 | 2020/0247223 | A1 * | 8/2020  | Ning .....           | B60J 11/02               |

\* cited by examiner

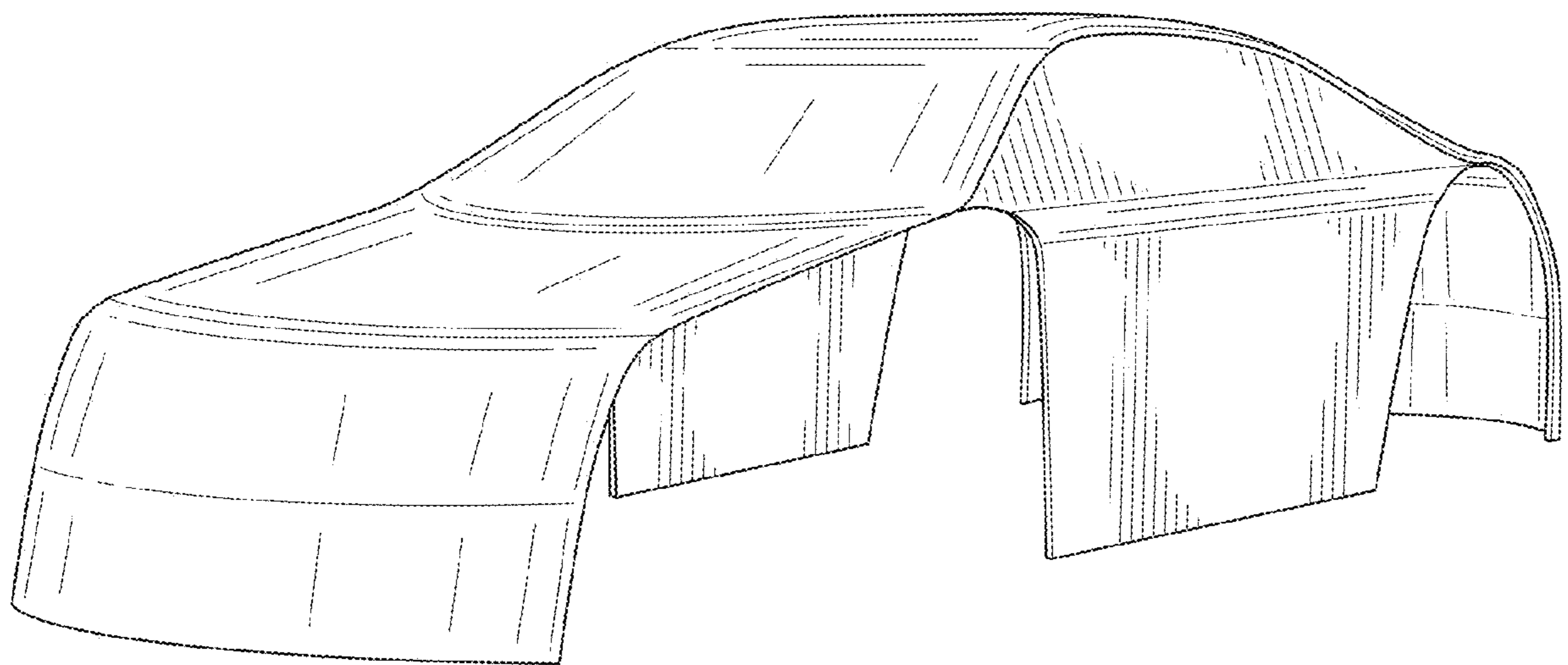


FIG. 1

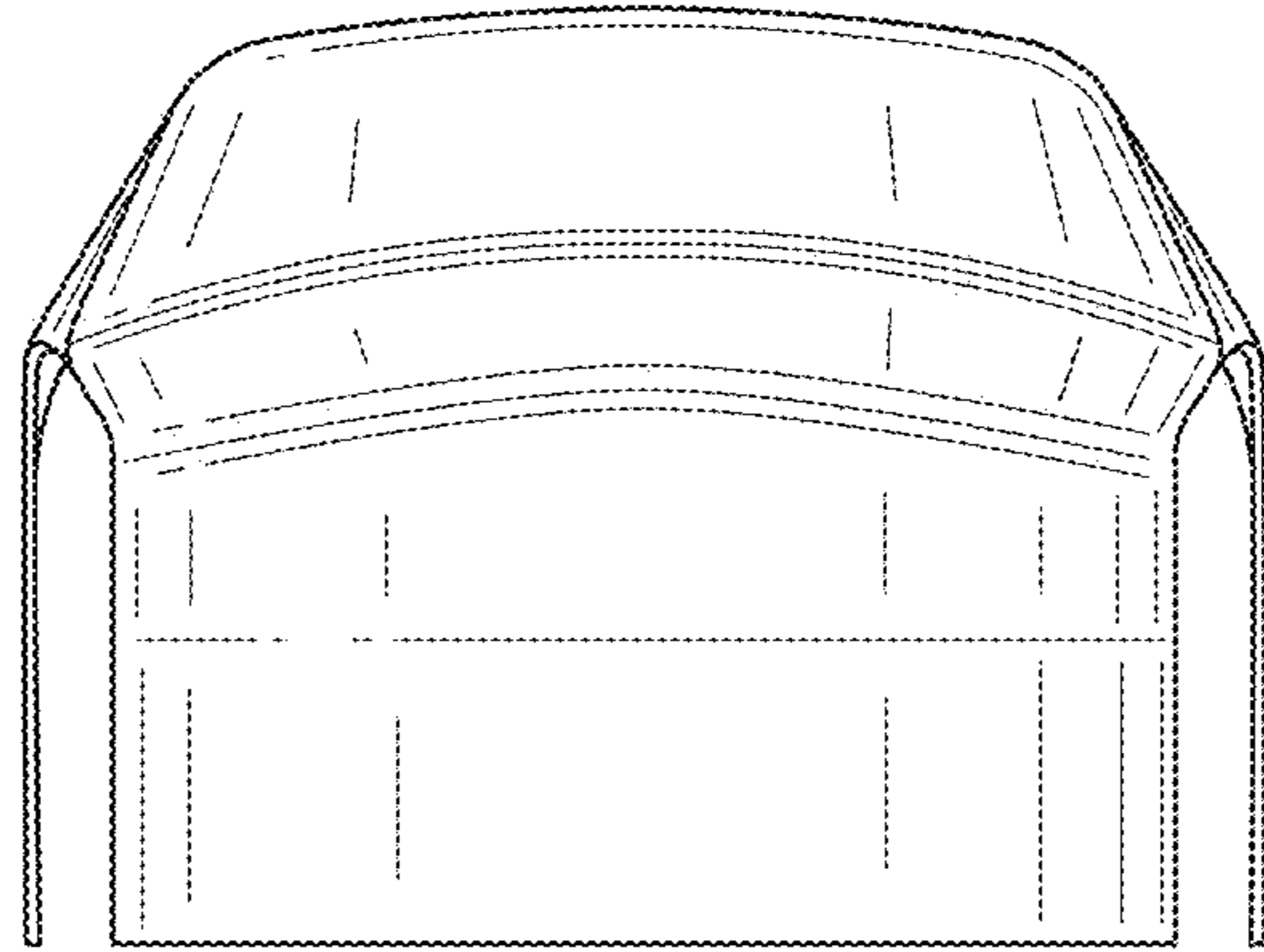


FIG. 2

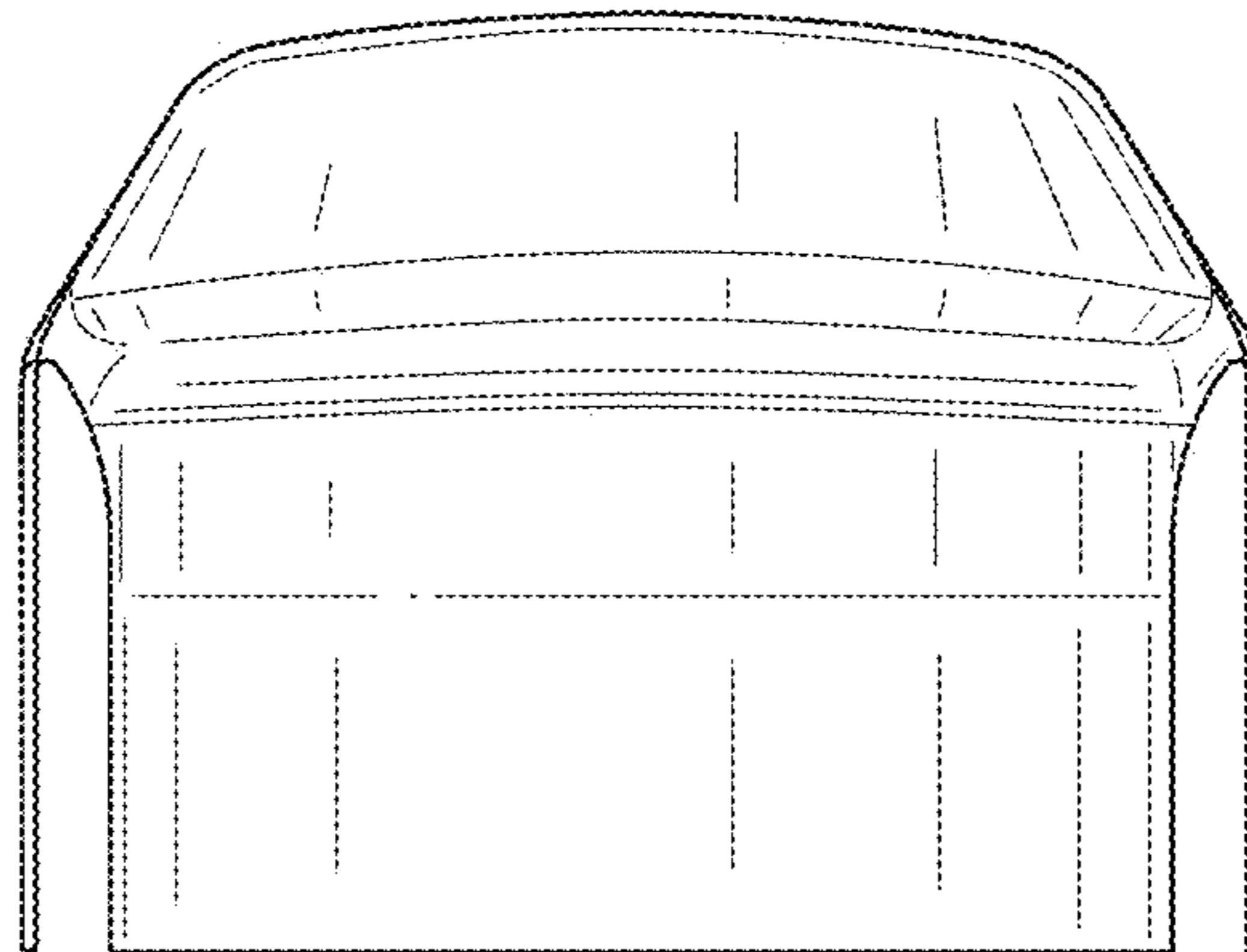


FIG. 3

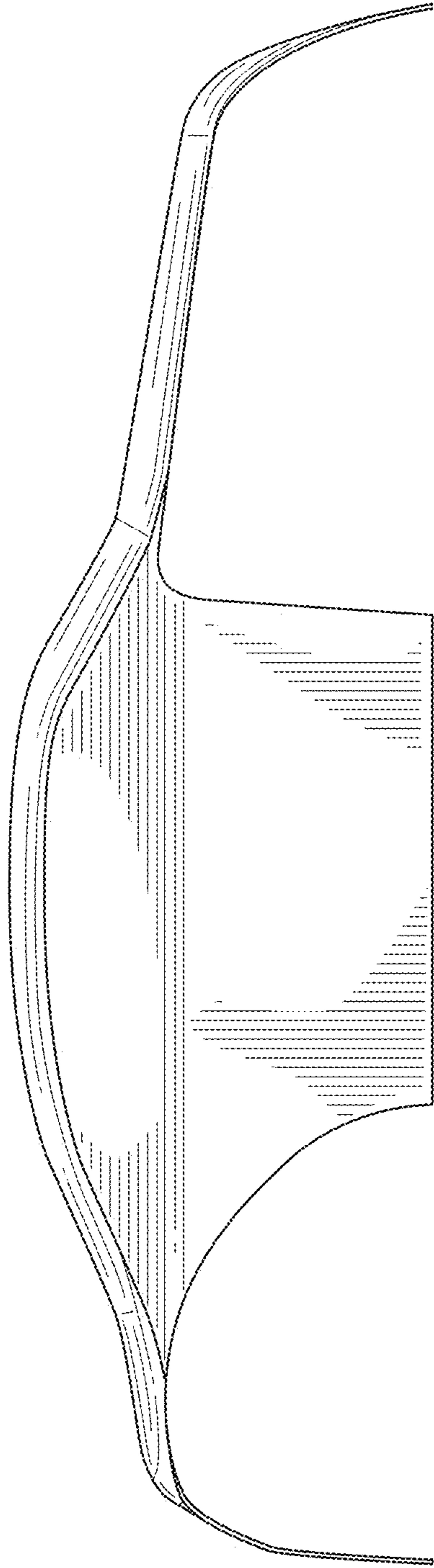


FIG. 4

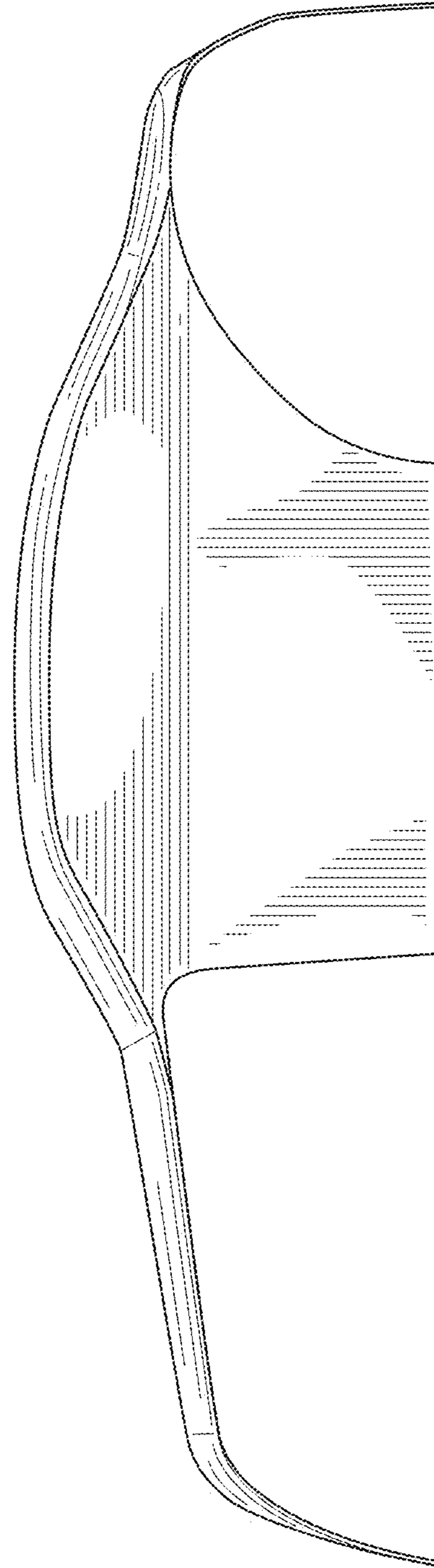


FIG. 5

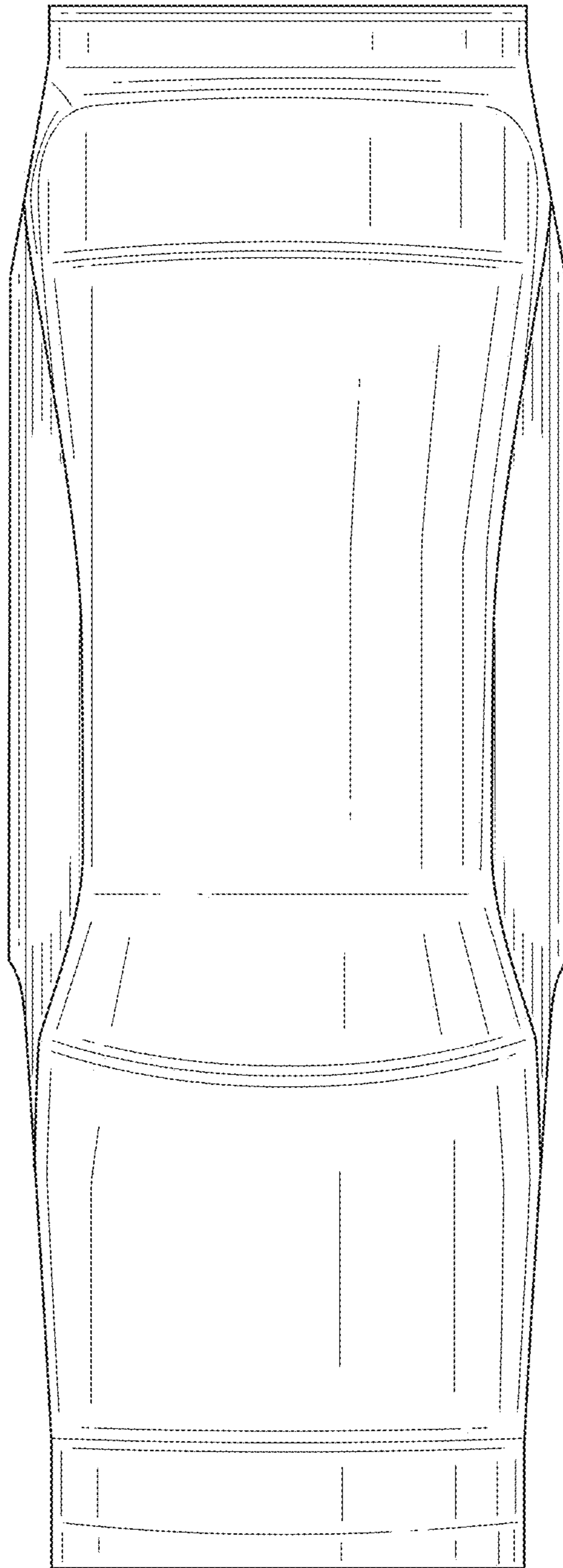


FIG. 6

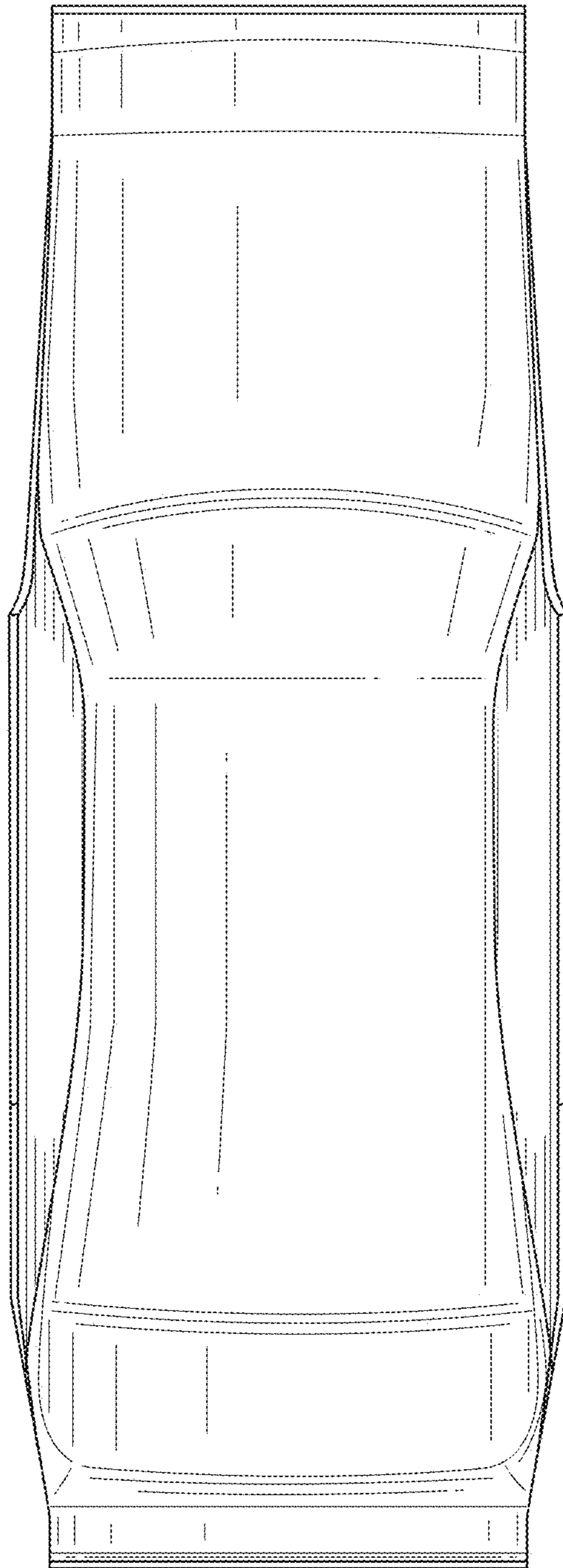


FIG. 7

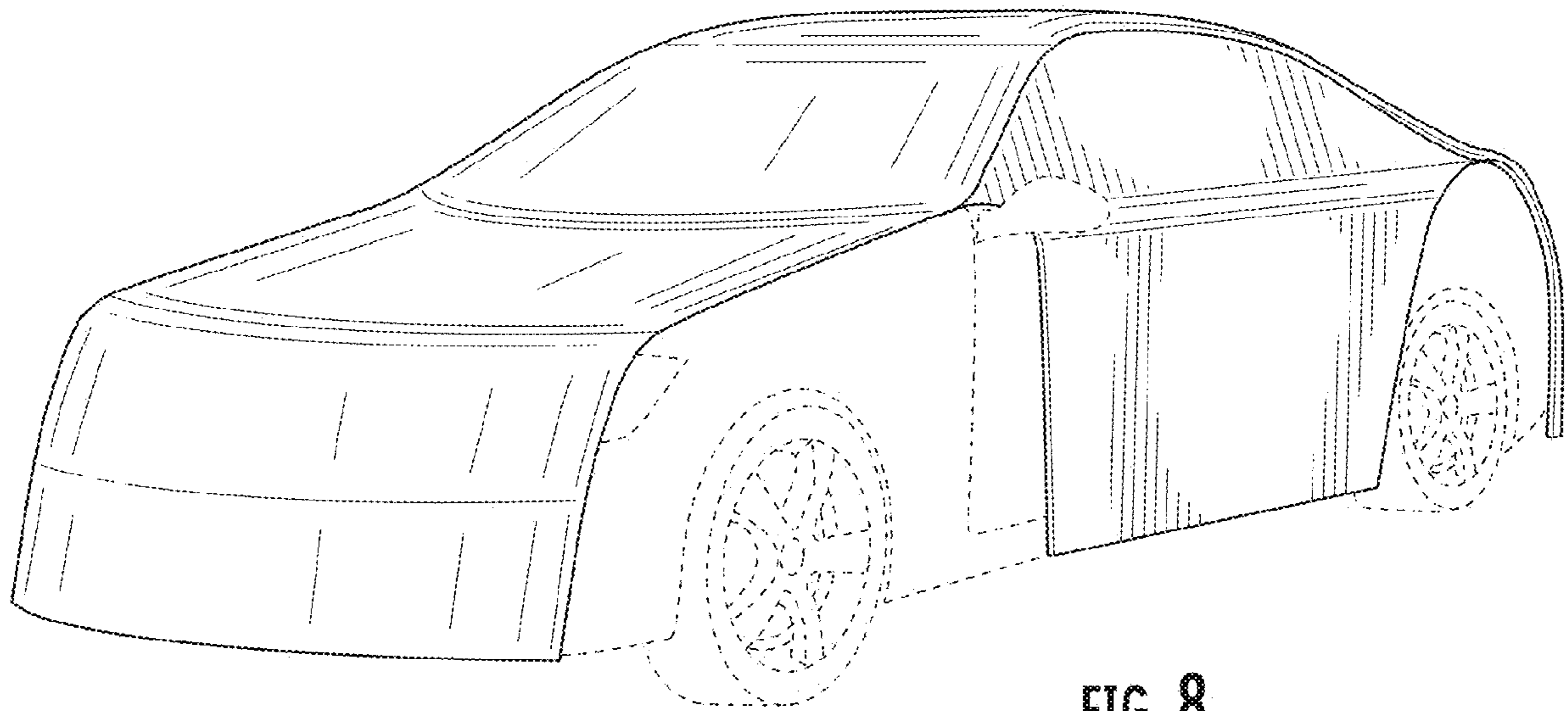


FIG. 8