



US00D911250S

(12) **United States Design Patent**
Hortman, III

(10) **Patent No.:** **US D911,250 S**

(45) **Date of Patent:** **** Feb. 23, 2021**

(54) **PEDAL BLOCK**

(71) Applicant: **Lewis Clark Hortman, III**, Reynolds,
GA (US)

(72) Inventor: **Lewis Clark Hortman, III**, Reynolds,
GA (US)

(**) Term: **15 Years**

(21) Appl. No.: **29/729,480**

(22) Filed: **Mar. 26, 2020**

Related U.S. Application Data

(63) Continuation-in-part of application No. 29/697,698,
filed on Jul. 10, 2019.

(51) **LOC (13) Cl.** **12-16**

(52) **U.S. Cl.**

USPC **D12/400**

(58) **Field of Classification Search**

USPC D12/125, 203, 174, 400, 162;
D6/334-338, 340-343, 349-353, 355,
D6/358, 360, 364, 365, 371, 372, 373,
D6/381; D13/102, 155; D8/300, 313,
D8/314, 316, 321, 330, 343, 349, 354,
D8/367, 373, 380, 382, 397, 398, 399,
D8/400, 499; D21/671, 797, 694, 686,
D21/698, 699, 680, 685, 692, 662, 687,
D21/689, 318, 688, 412, 333, 683, 798,
D21/769, 770, 771, 801, 803, 809;
D9/414, 415, 420, 421, 423, 425, 430,
D9/432; D25/102-118

CPC G05G 1/60; B60K 26/02
See application file for complete search history.

(56) **References Cited**

U.S. PATENT DOCUMENTS

3,047,088 A * 7/1962 Murrell G05G 1/60
180/90.6
D650,184 S * 12/2011 Hsu D6/349

D657,069 S * 4/2012 Brazier D25/113
D669,351 S * 10/2012 Au D9/423
D690,522 S * 10/2013 Pontiff D6/349
D692,393 S * 10/2013 Hillman D13/155
D695,698 S * 12/2013 Greenberg D13/178
D732,129 S * 6/2015 Hanscom D21/771
D736,867 S * 8/2015 Glickfield D21/671
D810,010 S * 2/2018 Rook D13/102
D839,009 S * 1/2019 Garbus D6/349
D884,566 S * 5/2020 Hirneise D12/174
2012/0137824 A1* 6/2012 Himanen B60K 26/02
74/560

* cited by examiner

Primary Examiner — Susan E Krakower

Assistant Examiner — Jerry Shiuan-Hua Hsu

(57) **CLAIM**

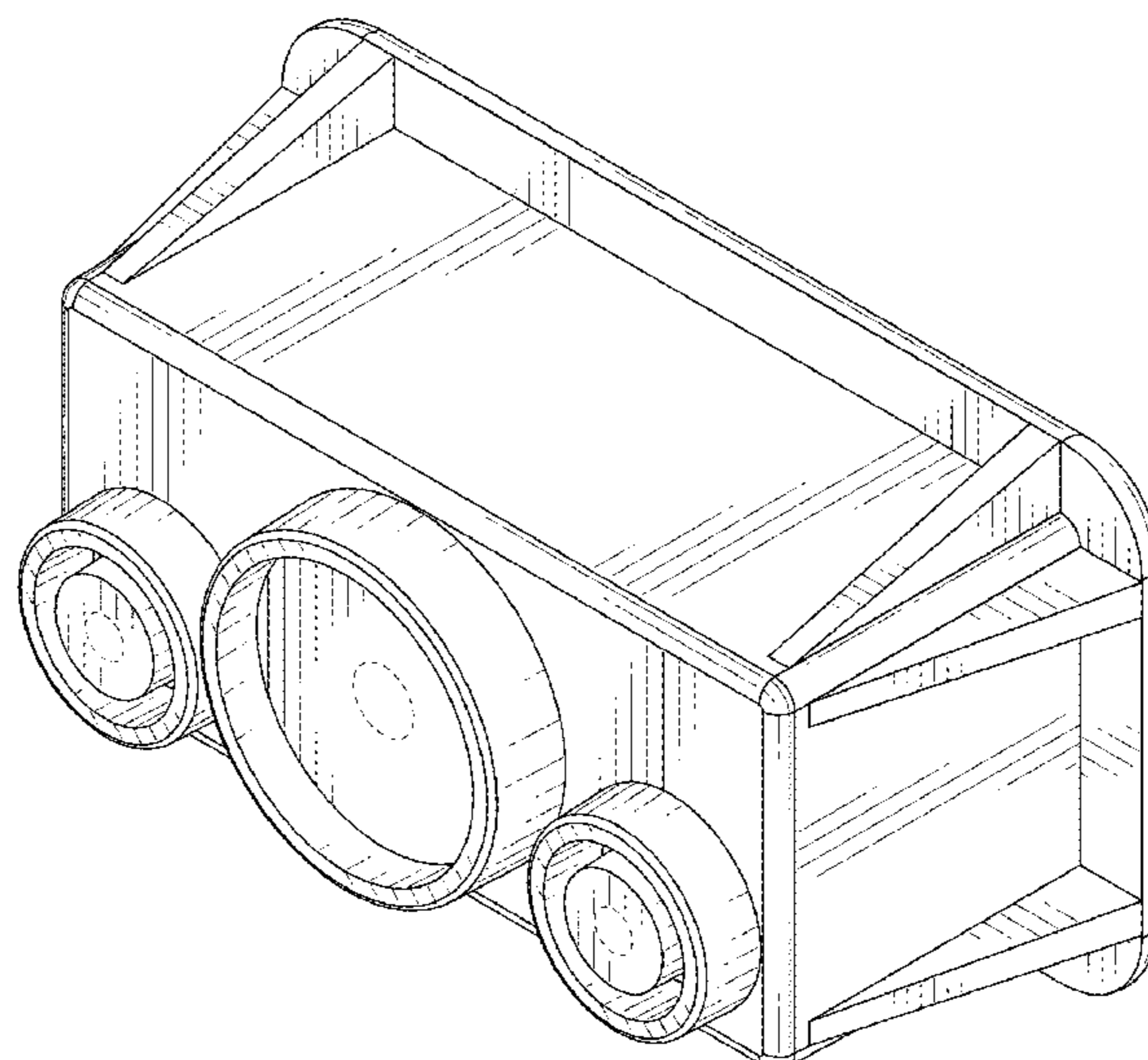
The ornamental design for a pedal block, as shown and described.

DESCRIPTION

FIG. 1 is a top-front-left perspective view of a pedal block showing my new design;
FIG. 2 is a bottom-rear-right perspective view thereof;
FIG. 3 is a left elevational view thereof;
FIG. 4 is a right elevational view thereof;
FIG. 5 is a front elevational view thereof;
FIG. 6 is a rear elevational view thereof;
FIG. 7 is a top plan view thereof;
FIG. 8 is a bottom plan view thereof; and,
FIG. 9 is a cross-sectional view taken along line 9-9 in FIG. 6.

The broken lines, in FIG. 6, show sectional cut indicators, which form no part of the claimed design. The broken lines traversing the body of the article, depict portions of the pedal block that form no part of the claimed design.

1 Claim, 9 Drawing Sheets



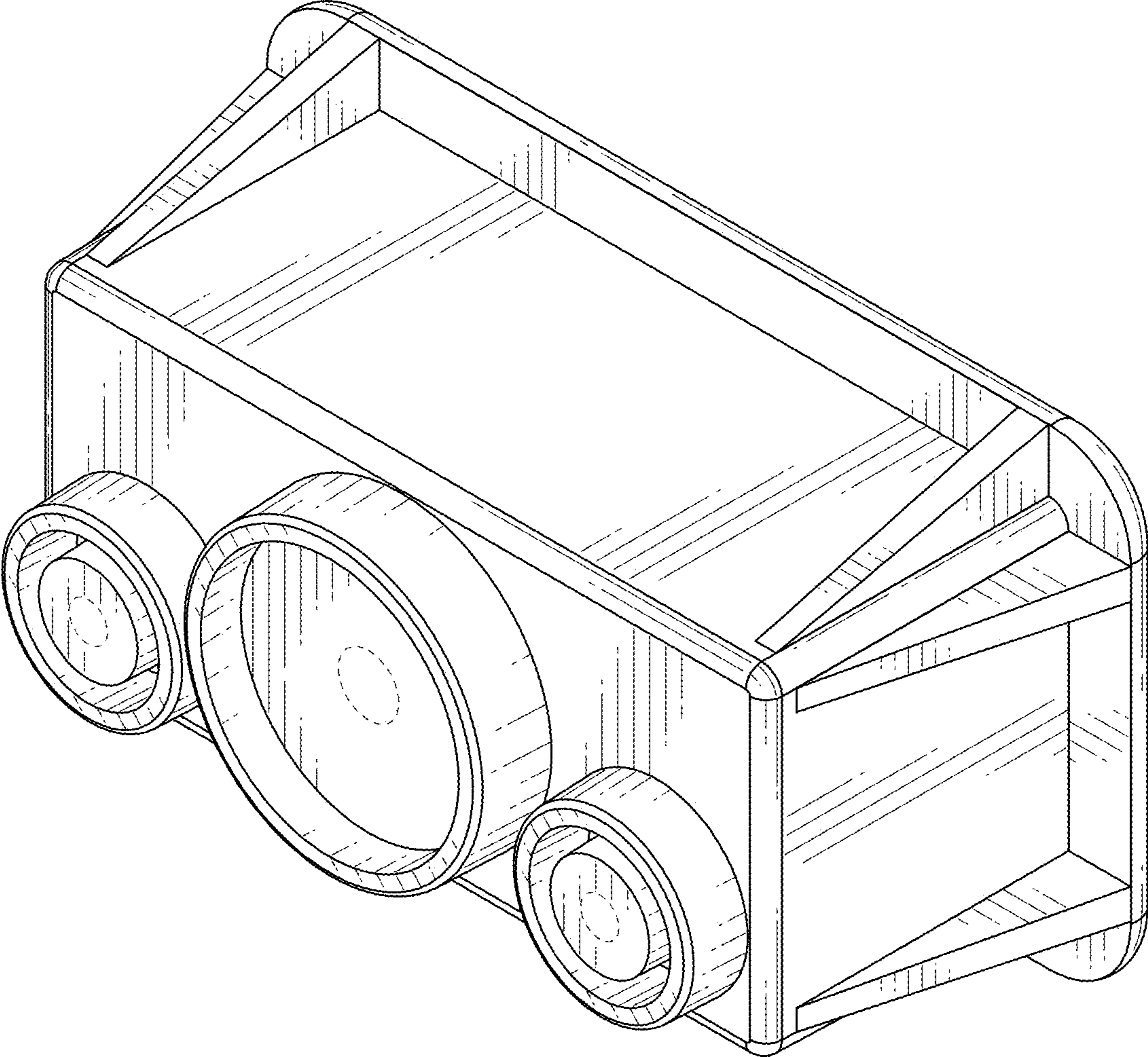


FIG. 1

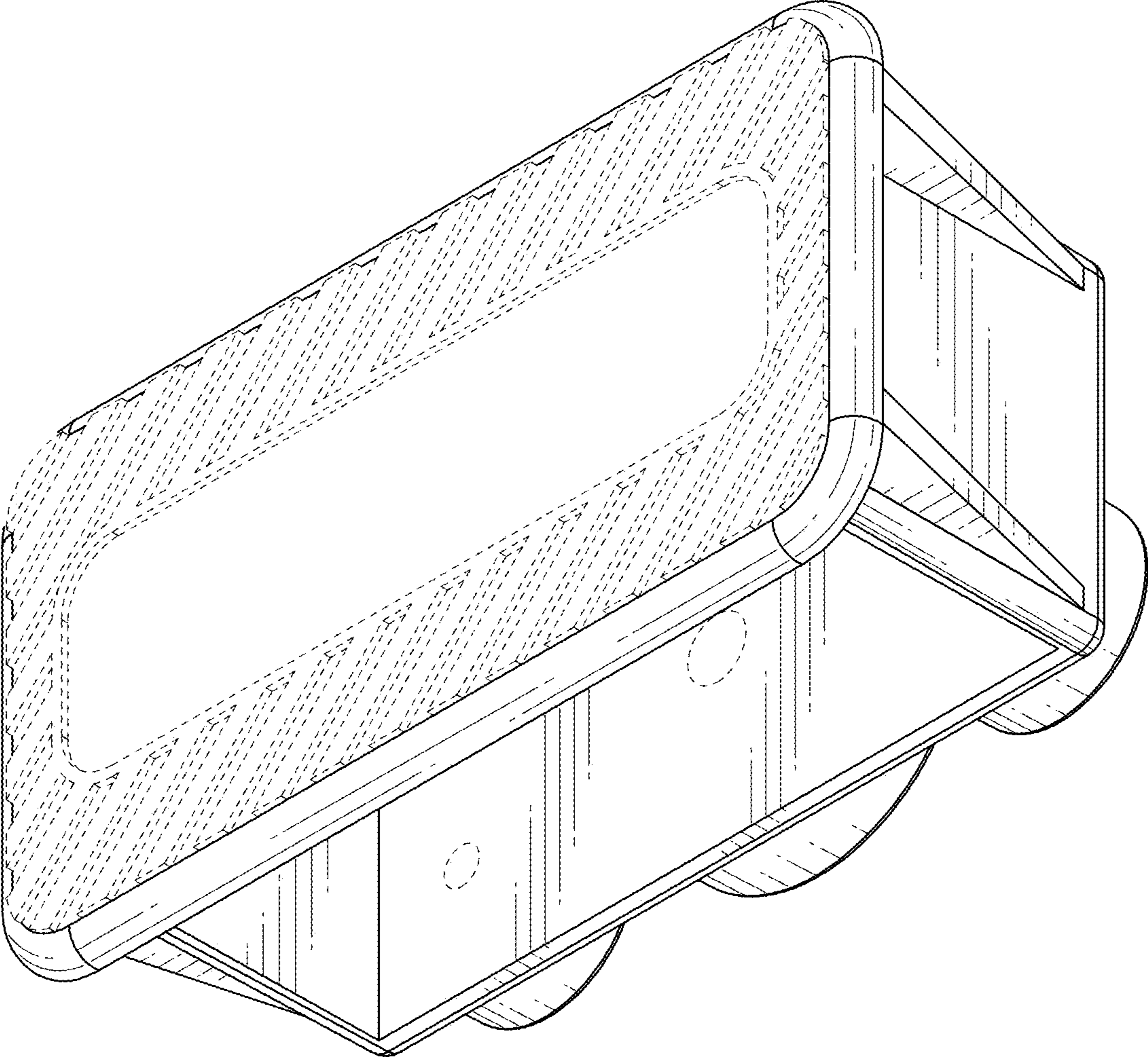


FIG. 2

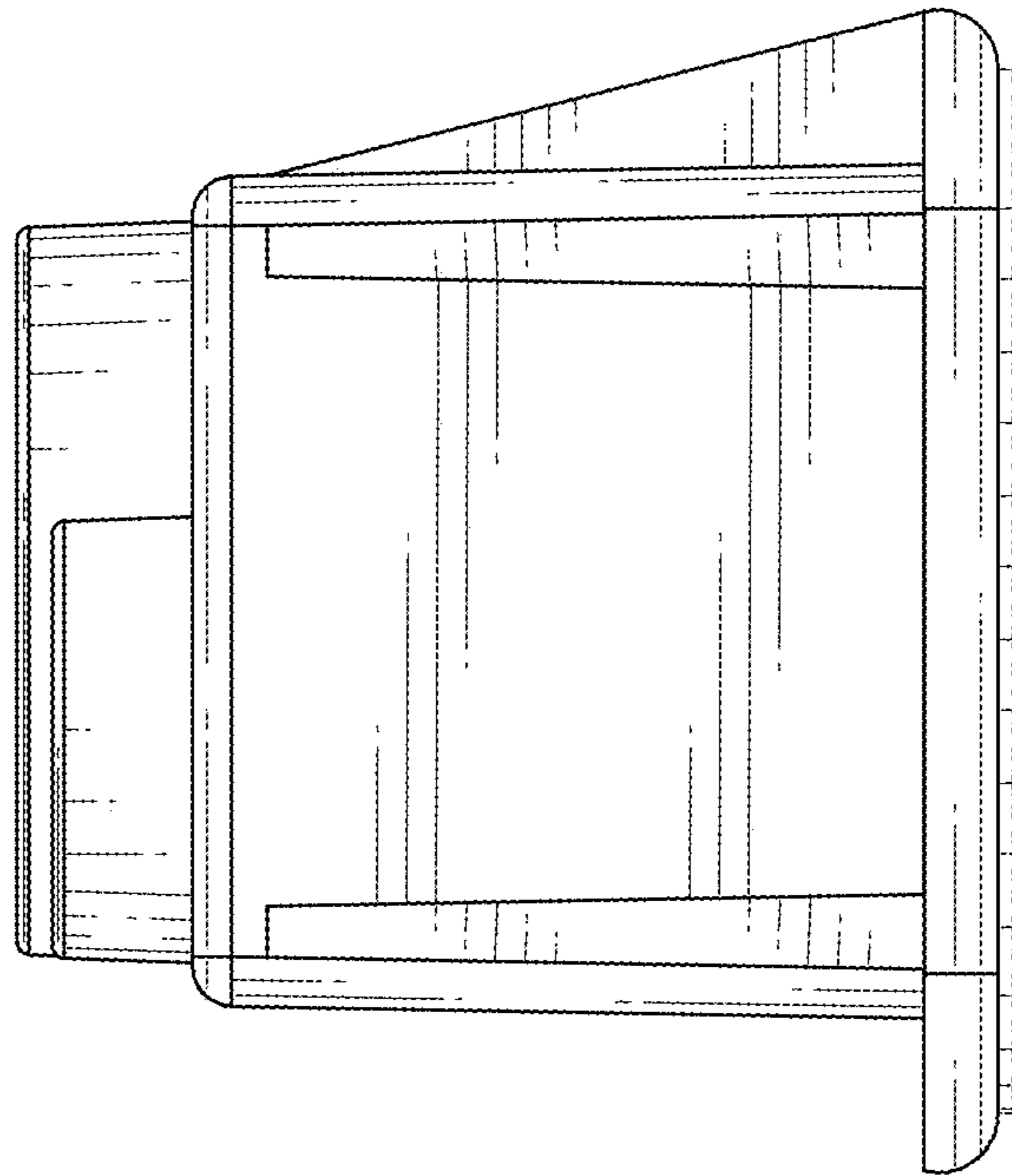


FIG. 3

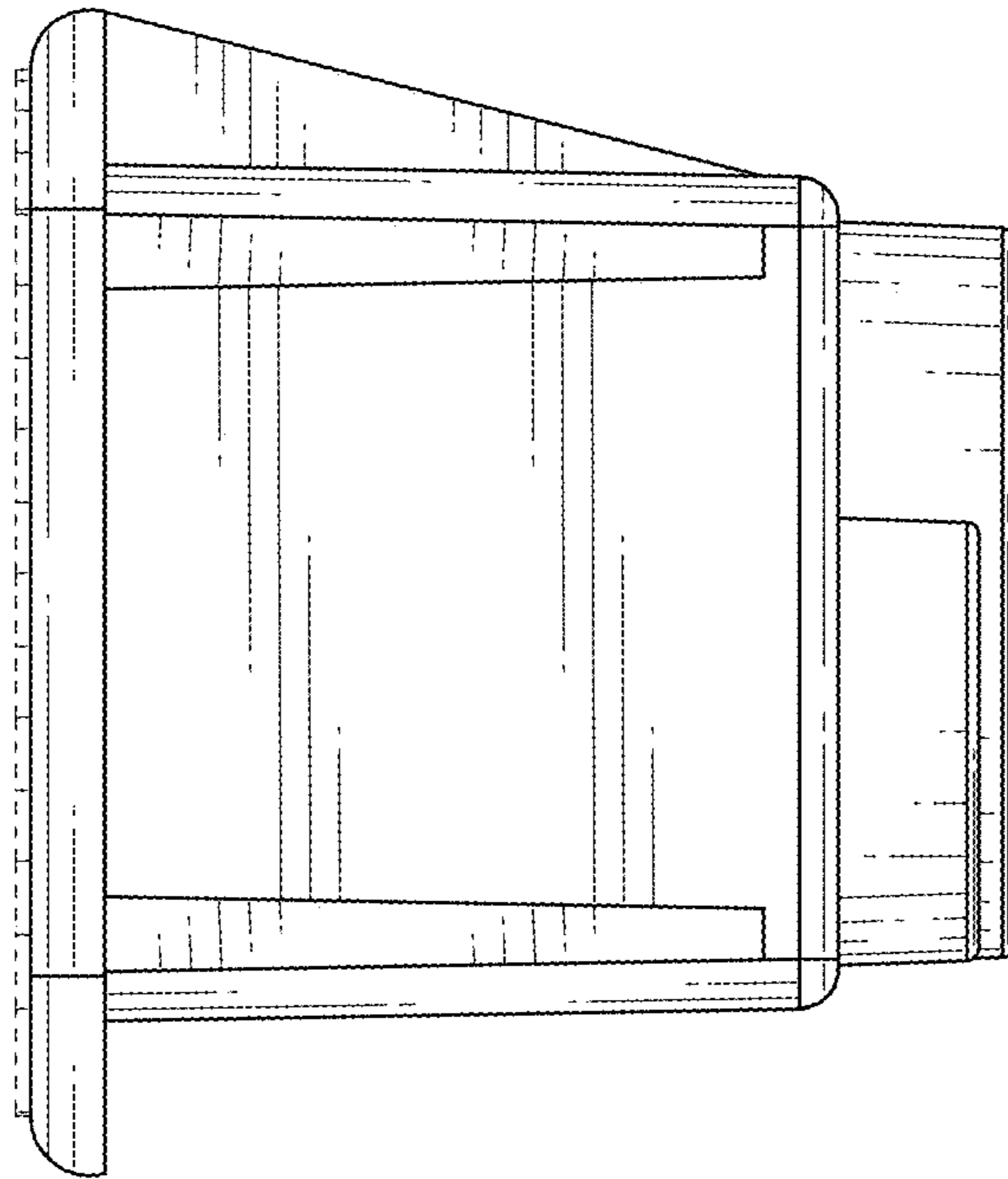


FIG. 4

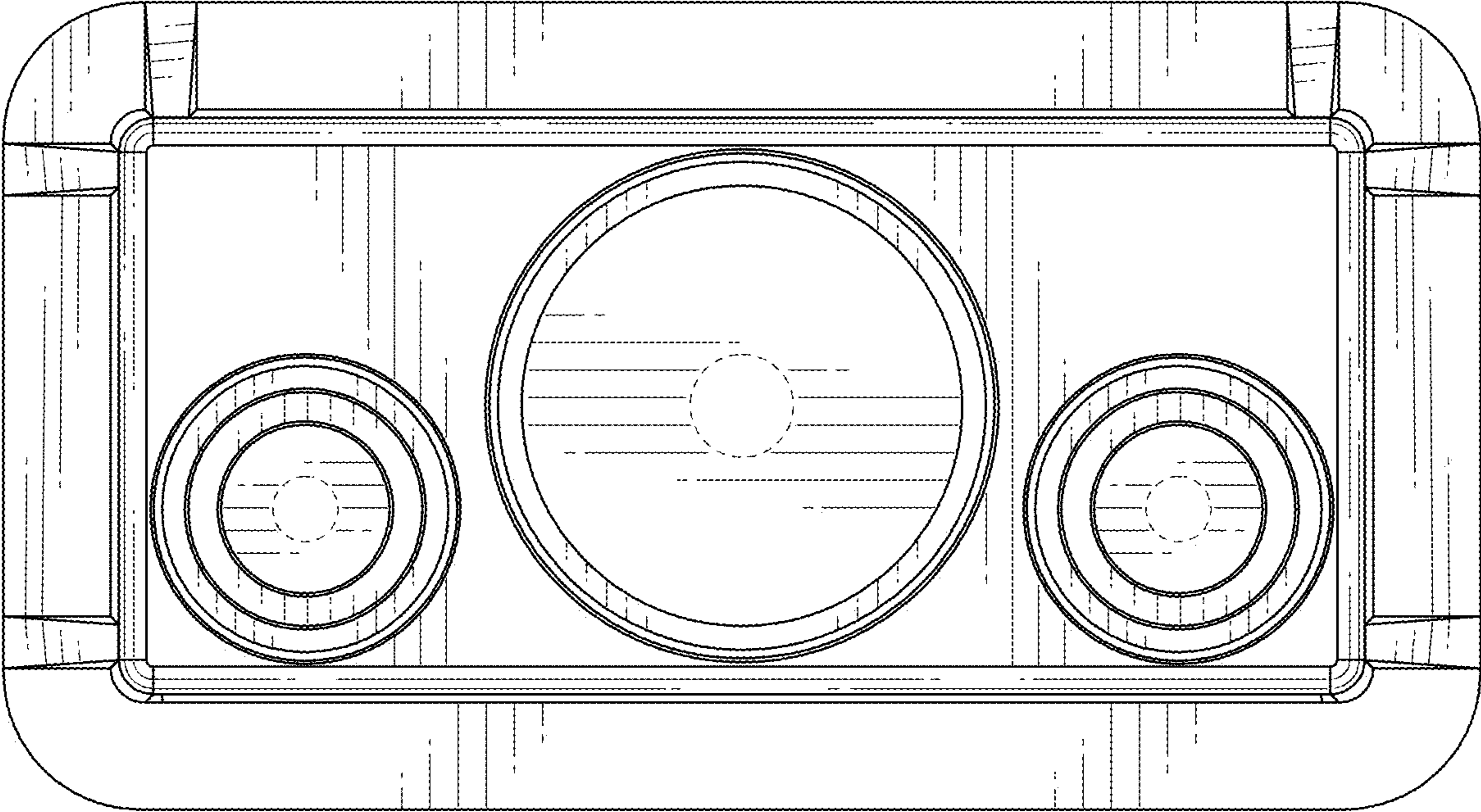


FIG. 5

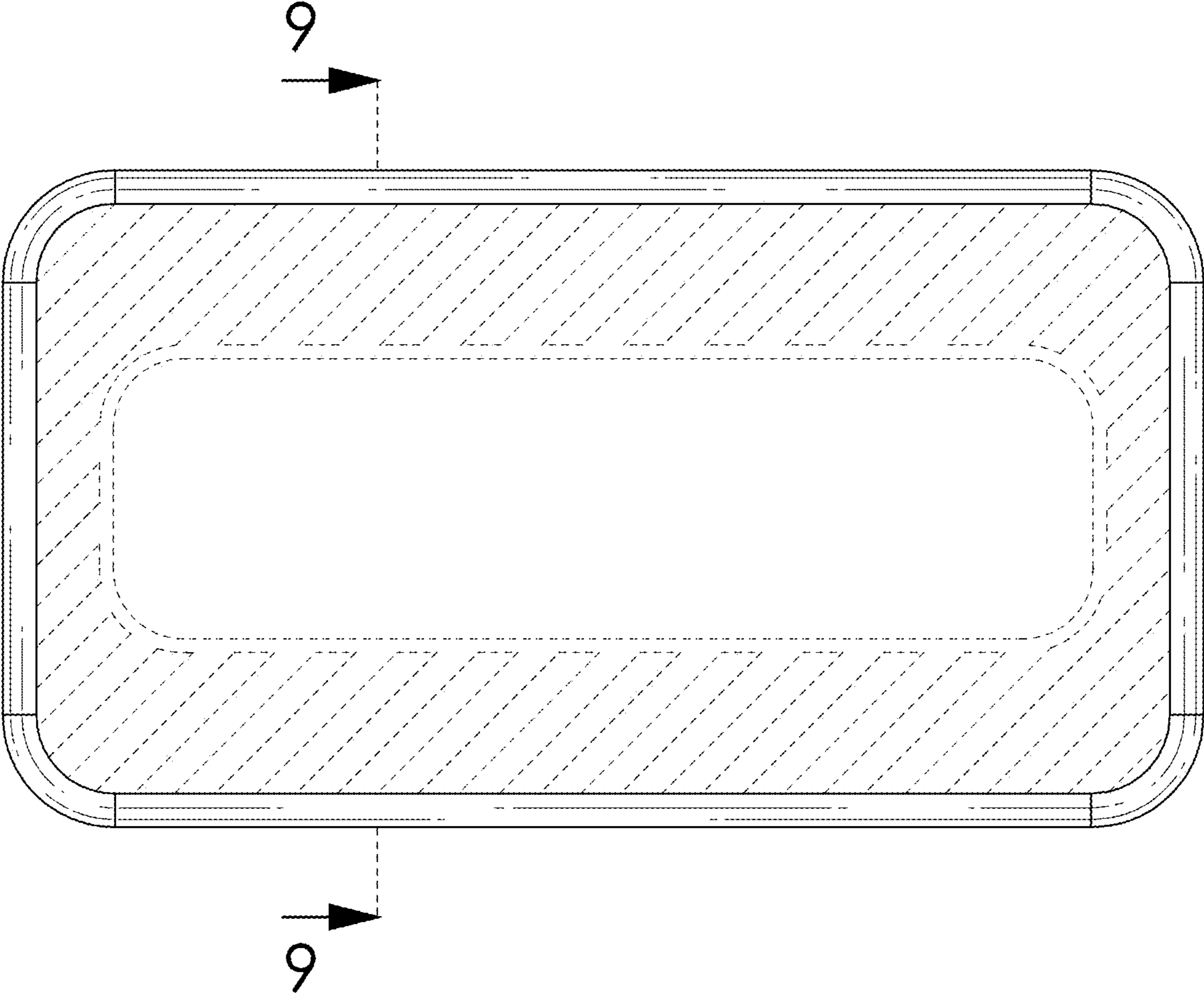


FIG. 6

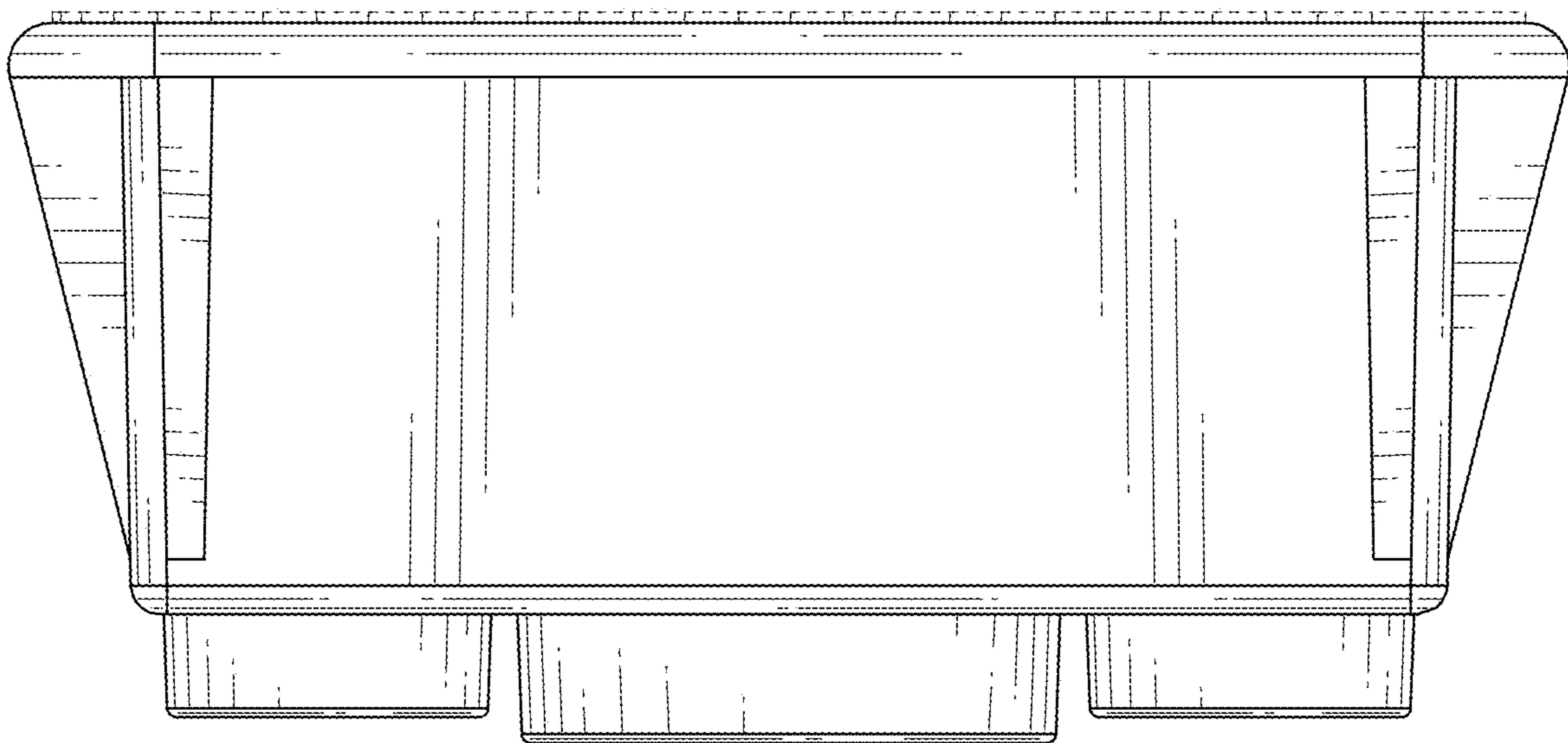


FIG. 7

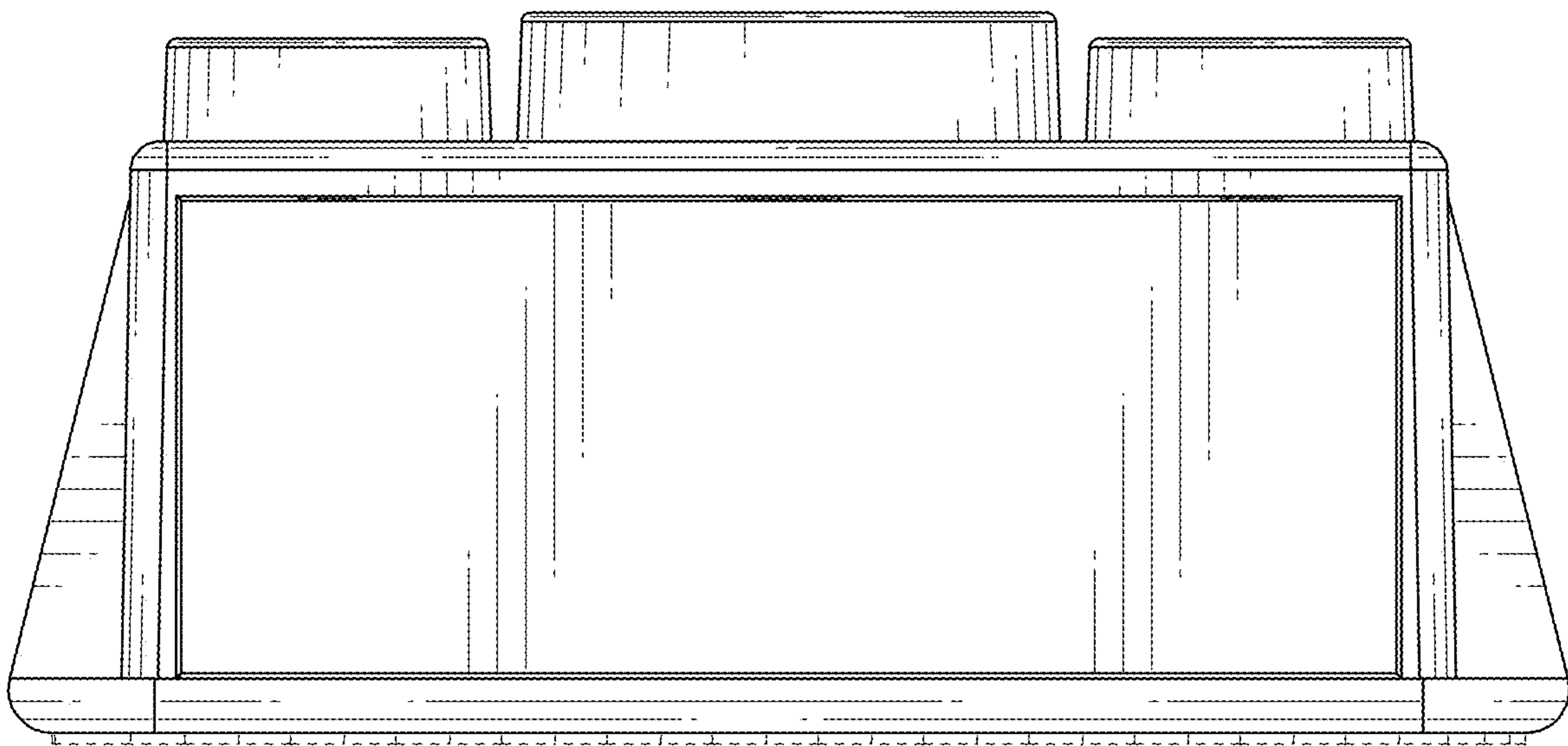


FIG. 8

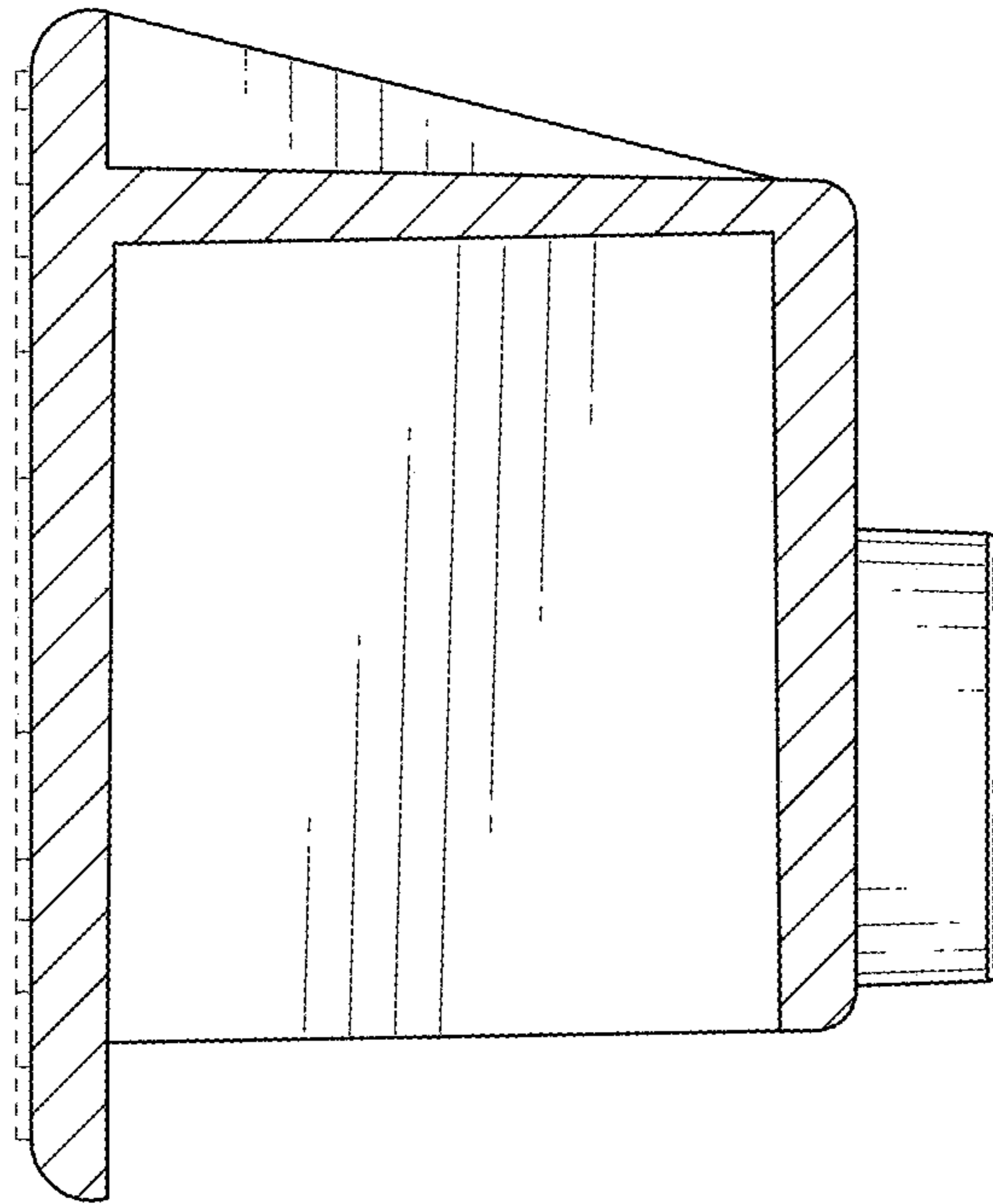


FIG. 9