



US00D911249S

(12) **United States Design Patent** (10) **Patent No.:** **US D911,249 S**
Burton et al. (45) **Date of Patent:** **** Feb. 23, 2021**

(54) **RIGID HULL INFLATABLE BOAT**
(71) Applicant: **BAE SYSTEMS plc**, London (GB)
(72) Inventors: **Jonathan Burton**, Winchester (GB);
Dean Michael Goves, Southampton (GB)
(73) Assignee: **BAE Systems plc**, London (GB)
(**) Term: **15 Years**

D595,204 S * 6/2009 Robinson D12/310
D637,948 S * 5/2011 de Jong D12/313
D642,108 S * 7/2011 Gros D12/300
D643,357 S * 8/2011 Moore, Jr. D12/300
D651,551 S * 1/2012 Moore, Jr. D12/300
D714,711 S * 10/2014 Abella D12/300
D731,392 S * 6/2015 Bleie D12/300
D736,139 S * 8/2015 Smith D12/300
D739,331 S * 9/2015 Munson D12/310
9,387,908 B1 * 7/2016 Paulino B63B 1/34
D820,189 S * 6/2018 Kristinsson D12/313
2012/0067266 A1 * 3/2012 Moore, Jr. B63B 1/20
114/271
2012/0145065 A1 * 6/2012 Richards B63B 3/14
114/271

(21) Appl. No.: **35/507,656**
(22) Filed: **May 7, 2019**

(80) **Hague Agreement Data**
Int. Filing Date: **May 7, 2019**
Int. Reg. No.: **DM/202622**
Int. Reg. Date: **May 7, 2019**
Int. Reg. Pub. Date: **Nov. 8, 2019**

(51) **LOC (13) Cl.** **12-06**
(52) **U.S. Cl.**
USPC **D12/313**
(58) **Field of Classification Search**
USPC D12/300, 305–307, 310–318;
D21/542–544, 547
CPC B63B 1/042; B63B 1/186; B63B 1/20;
B63B 1/22; B63B 1/40; B63B 1/201;
B63B 1/203; B63B 1/204
See application file for complete search history.

(56) **References Cited**
U.S. PATENT DOCUMENTS
D308,662 S * 6/1990 Darby D12/302
D331,561 S * 12/1992 Stark D12/300
D355,881 S * 2/1995 Carlson D12/310
D374,853 S * 10/1996 Pierce D12/313
D401,546 S * 11/1998 Boris D12/304
D464,930 S * 10/2002 Argent D12/310
D488,424 S * 4/2004 Pigeon D12/300
D513,399 S * 1/2006 Plumb D12/300

(Continued)

Primary Examiner — Darlington Ly
(74) *Attorney, Agent, or Firm* — Finch & Maloney PLLC

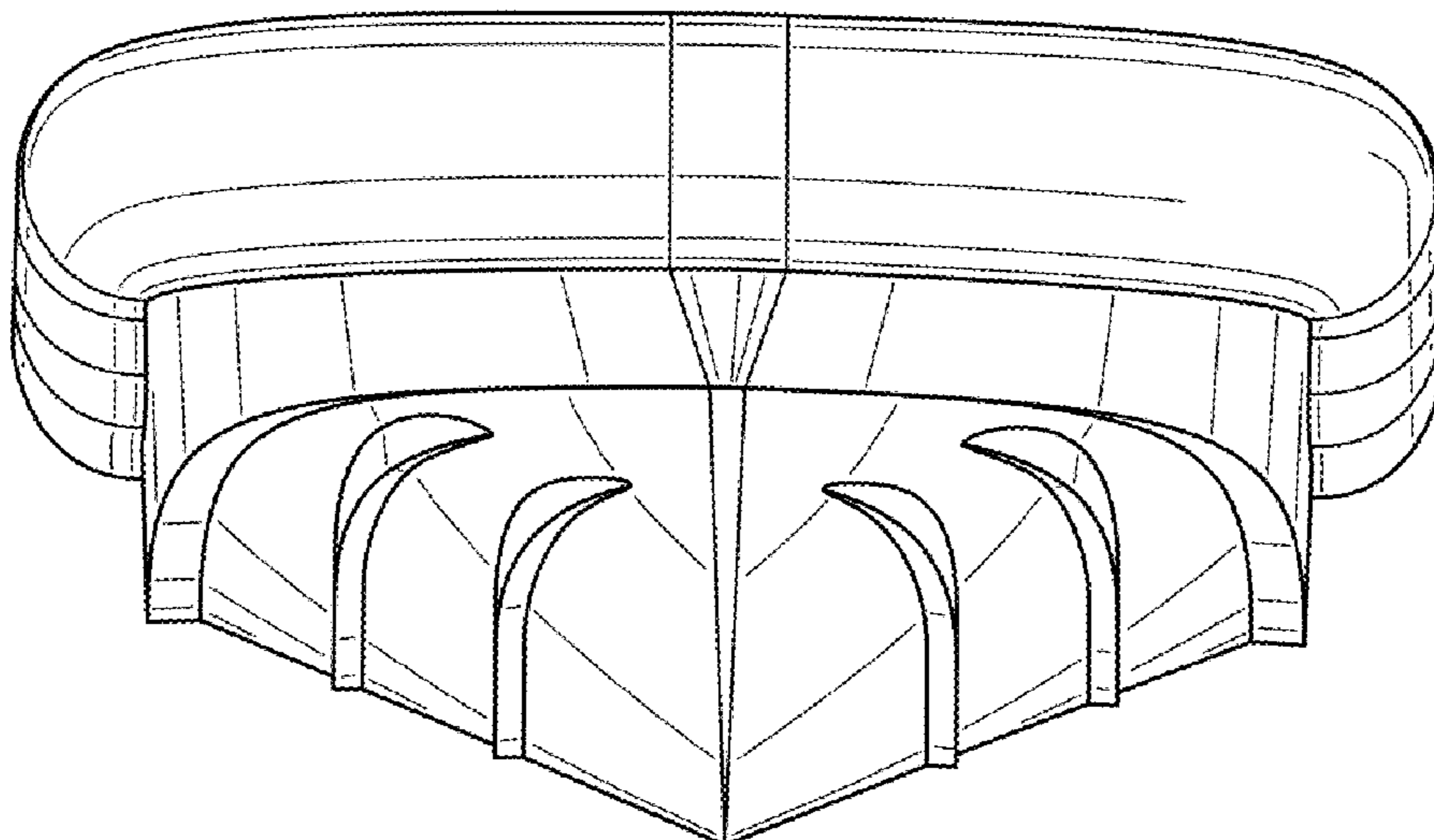
(57) **CLAIM**

The ornamental design for a rigid hull inflatable boat, as shown and described.

DESCRIPTION

1. Rigid hull inflatable boat
FIG. 1.1 is a front elevational view of a rigid hull inflatable boat embodying our new design;
FIG. 1.2 is a bottom plan view thereof;
FIG. 1.3 is a perspective view showing the front, bottom, and right sides thereof;
FIG. 1.4 is a perspective view showing the rear, bottom, and left sides thereof;
FIG. 1.5 is a perspective view showing the top and right sides thereof;
FIG. 1.6 is a perspective view showing the top, left, and rear sides thereof; and
FIG. 1.7 is an elevational view showing the right side thereof.
The broken lines in the reproductions illustrate portions of the rigid hull inflatable boat that form no part of the claimed design.

1 Claim, 7 Drawing Sheets



(56)

References Cited

U.S. PATENT DOCUMENTS

2013/0019789 A1* 1/2013 Kristinsson B63B 1/20
114/61.32
2017/0029075 A1* 2/2017 Rickborn B63B 3/38
2018/0170484 A1* 6/2018 Little B63B 1/32

* cited by examiner

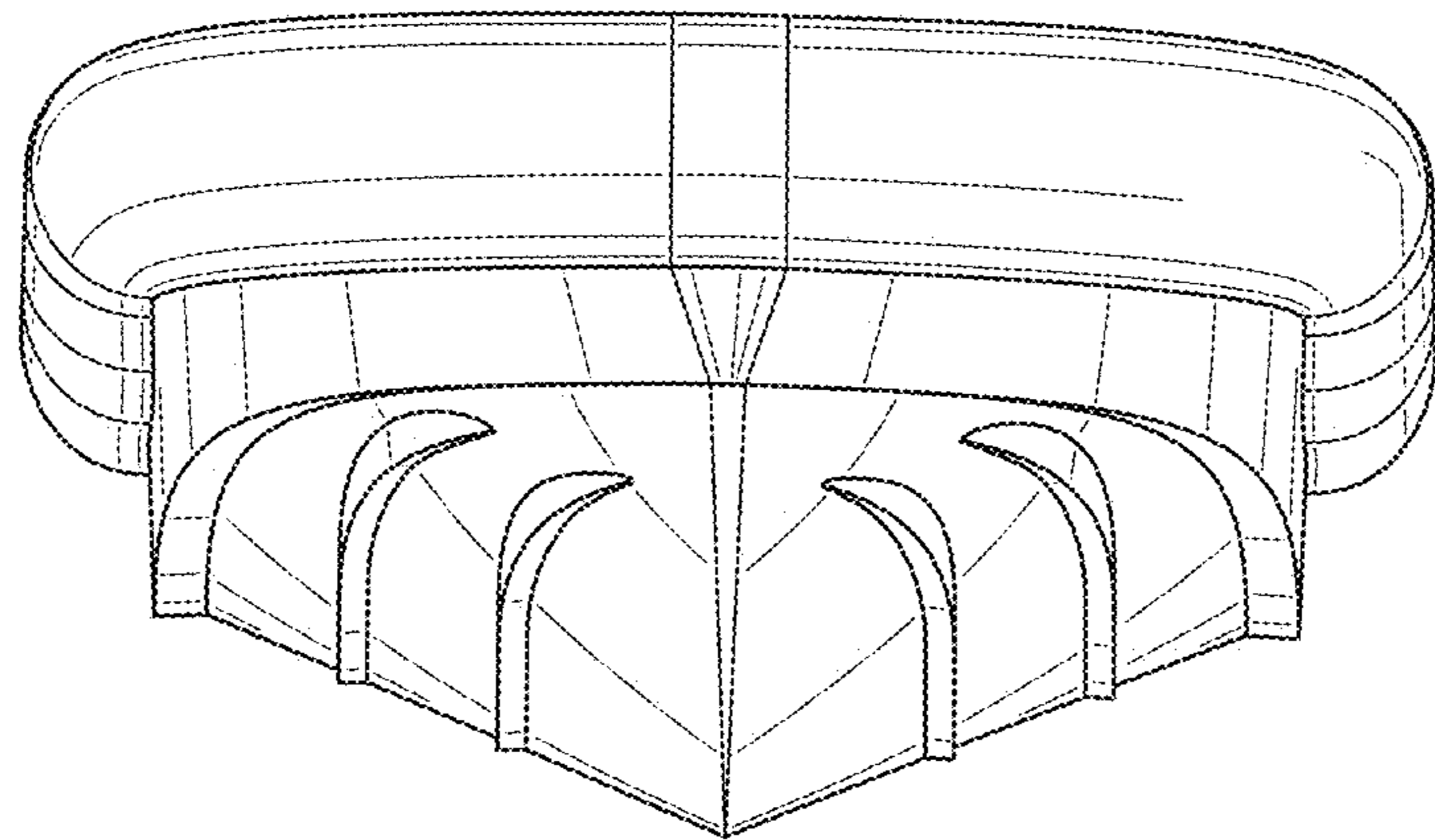


FIG. 1.1

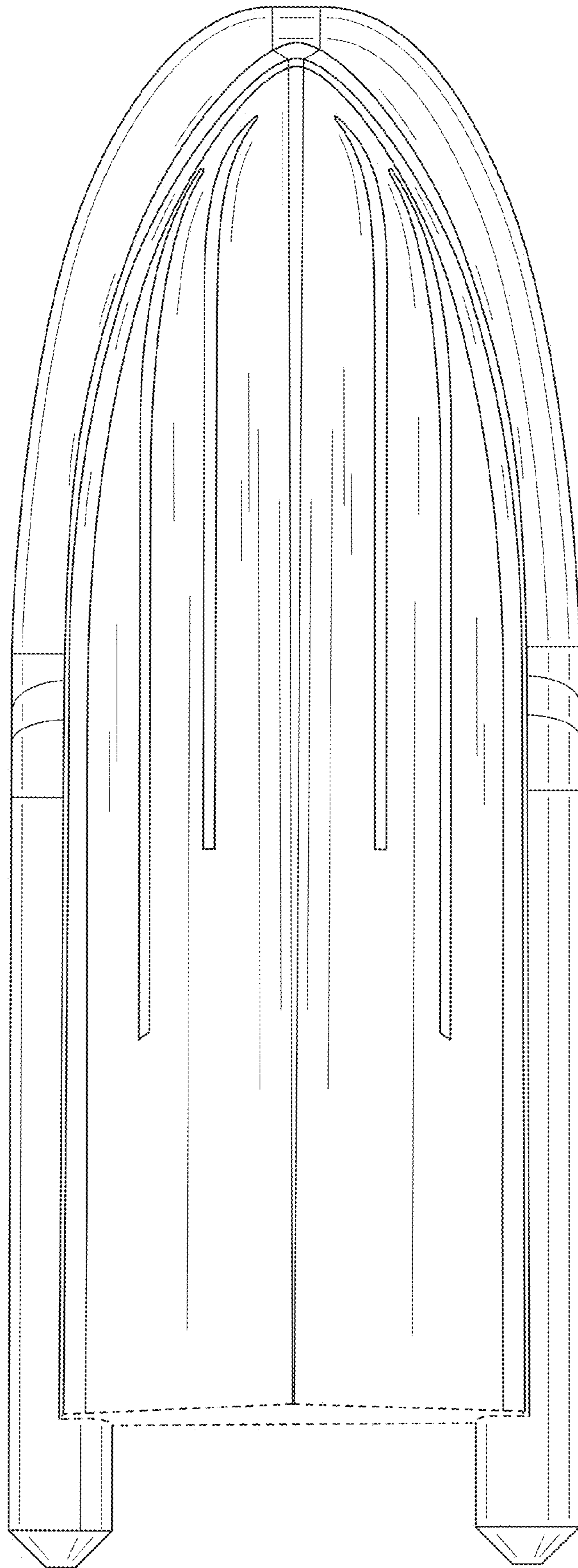


FIG. 1.2

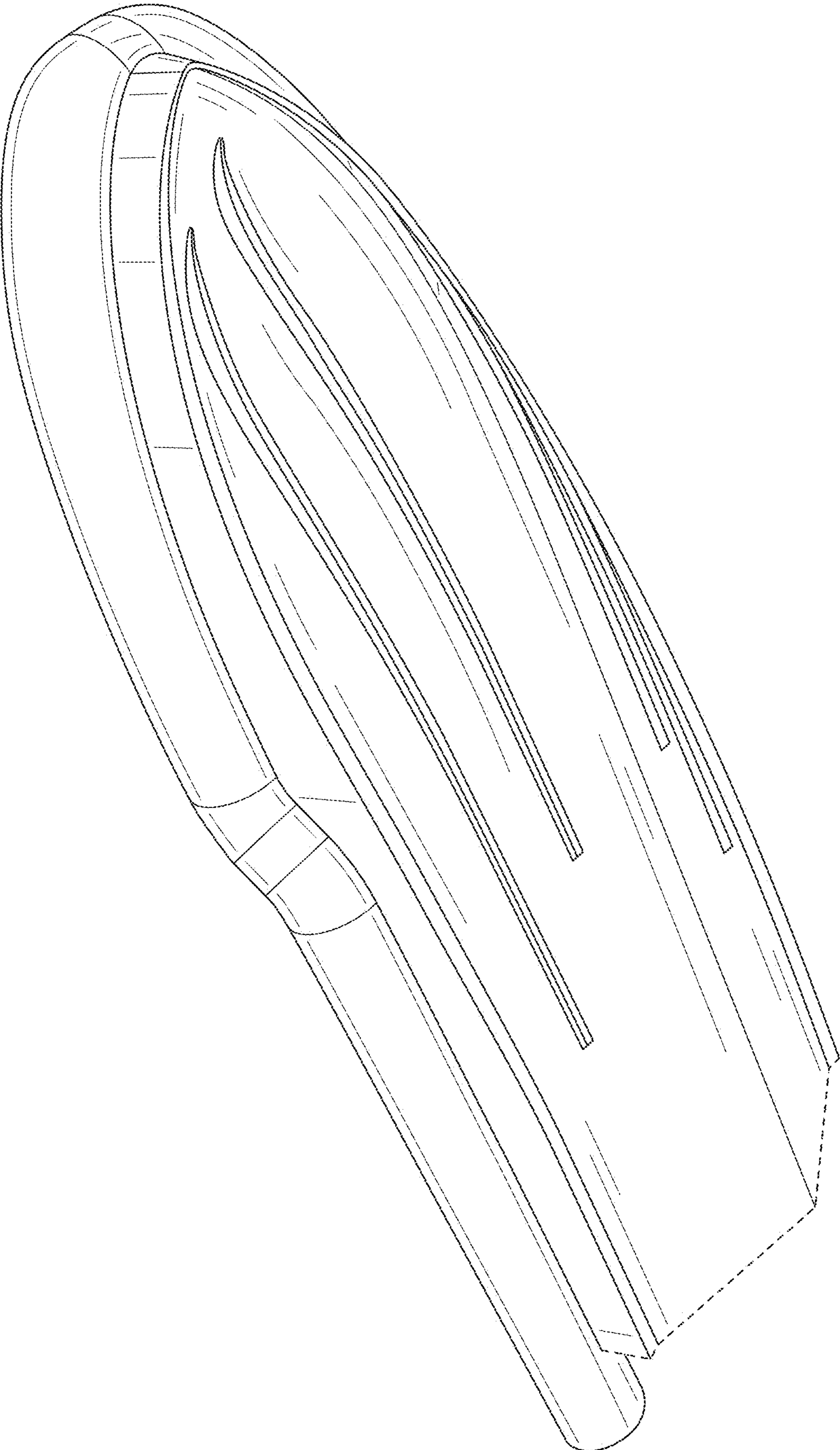


FIG. 1.3

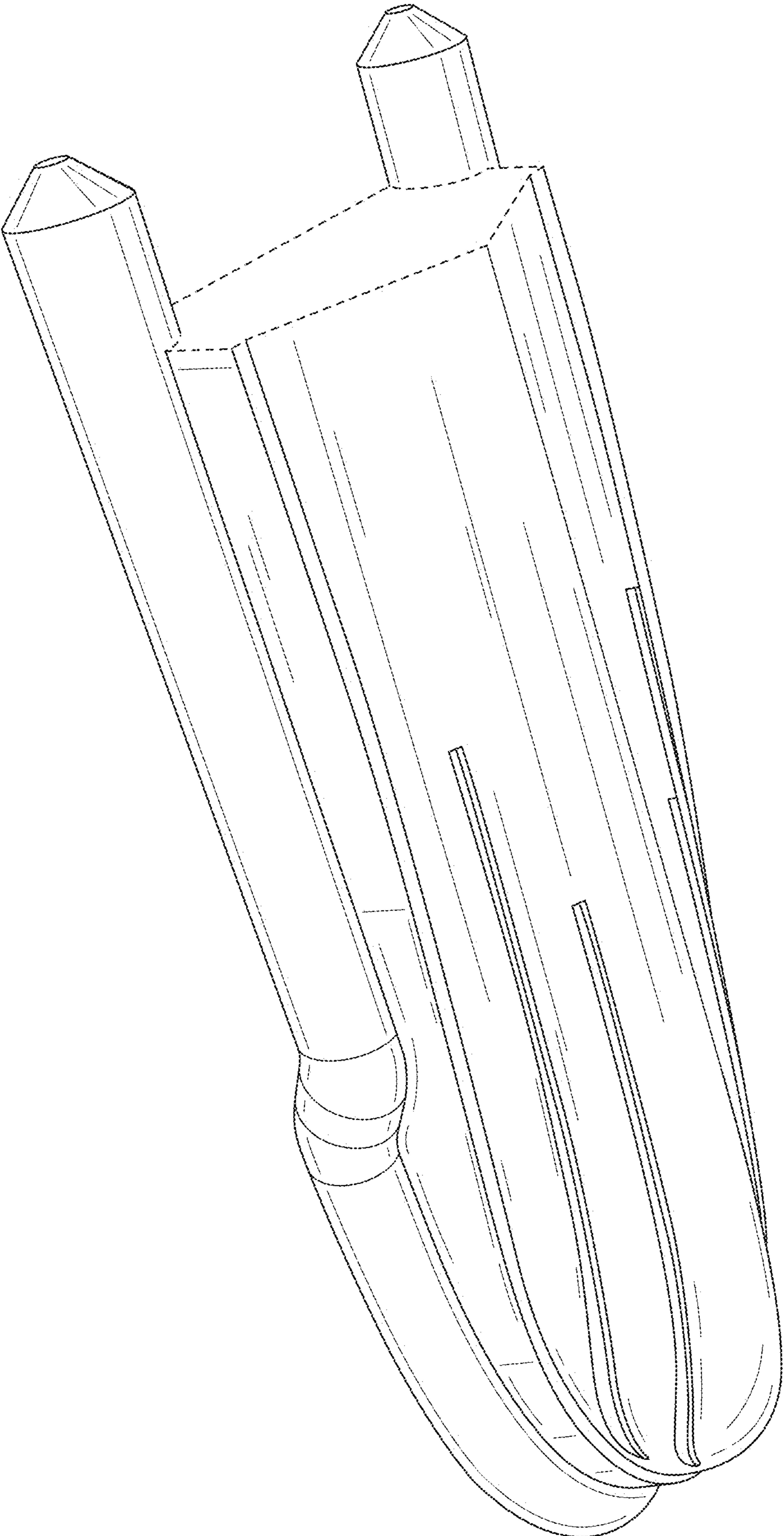


FIG. 1.4

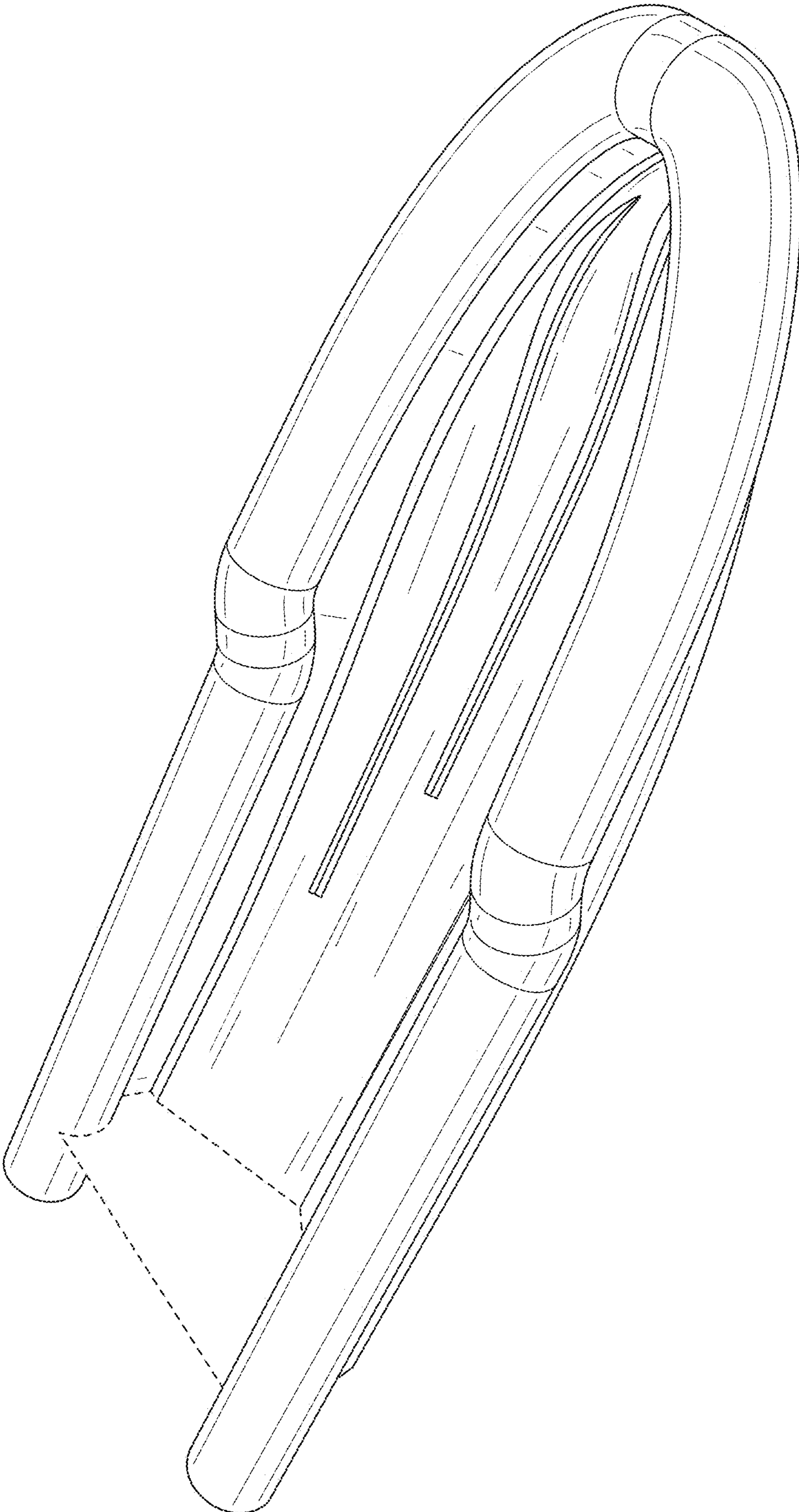


FIG. 1.5

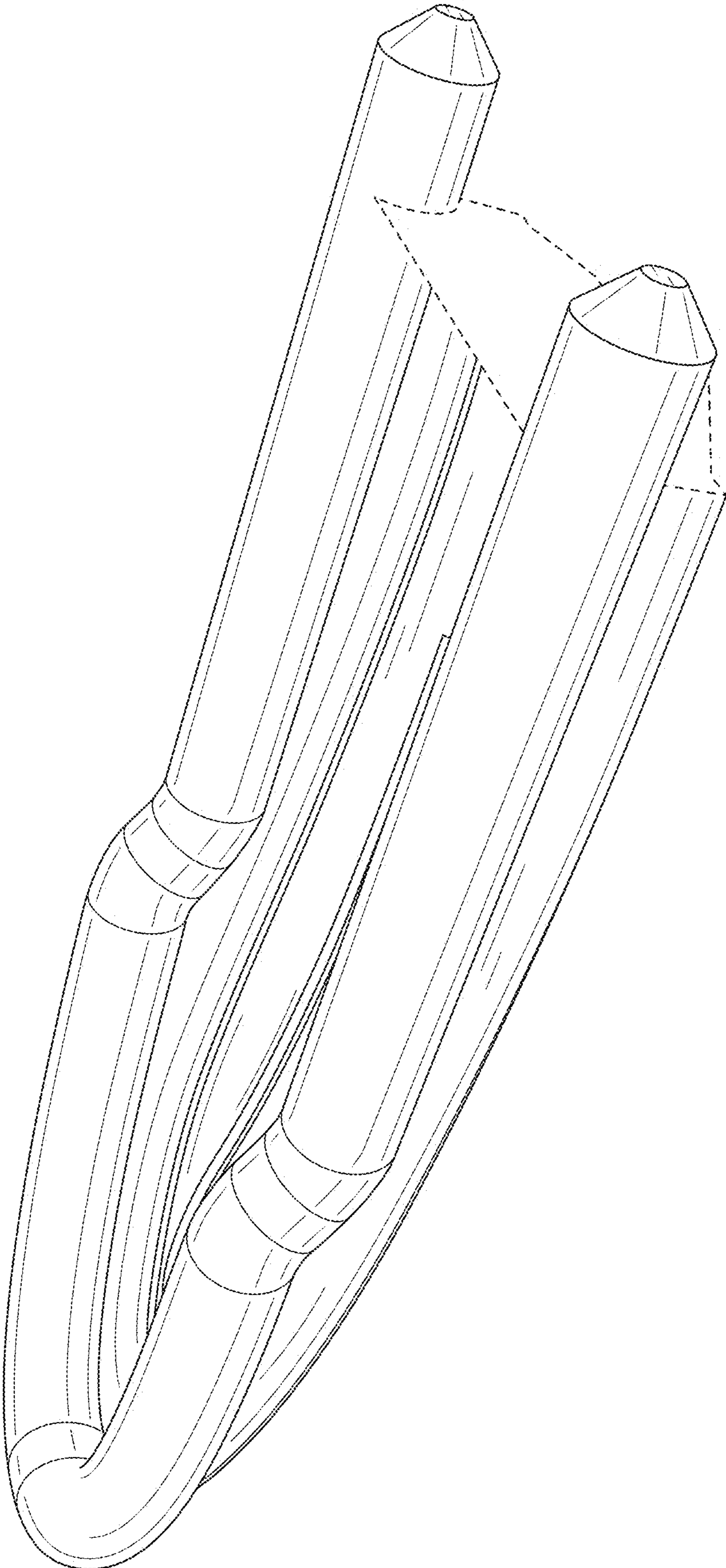


FIG. 1.6

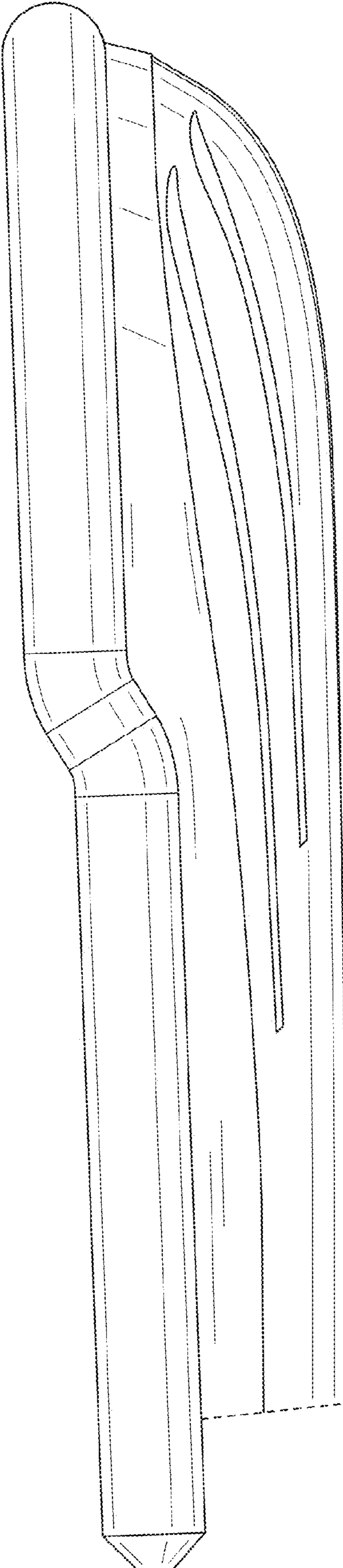


FIG. 1.7