



US00D911248S

(12) **United States Design Patent** (10) **Patent No.:** **US D911,248 S**
Lin (45) **Date of Patent:** **** Feb. 23, 2021**

(54) **STAKE POCKET**

(71) Applicant: **Chao-Heng Lin**, Taiyuan (TW)

(72) Inventor: **Chao-Heng Lin**, Taiyuan (TW)

(**) Term: **15 Years**

(21) Appl. No.: **29/691,779**

(22) Filed: **May 20, 2019**

(51) **LOC (13) Cl.** **12-16**

(52) **U.S. Cl.**
USPC **D12/223**

(58) **Field of Classification Search**
USPC D12/93, 101, 106, 223, 400, 406, 412,
D12/414; D8/349, 354
CPC B62D 33/027; B62D 33/0207; B61D 3/08;
B60P 7/0807
See application file for complete search history.

(56) **References Cited**

U.S. PATENT DOCUMENTS

1,507,229	A *	9/1924	Bosley	B62D 33/0207 296/43
3,833,241	A *	9/1974	Acosta	B60P 7/0807 410/12
3,841,695	A *	10/1974	Woodward	B60P 7/0892 296/43
5,141,277	A *	8/1992	Alexander	B60P 7/0807 296/43
5,618,078	A *	4/1997	Aberle	B62D 33/0207 105/390
6,374,466	B1 *	4/2002	Macias	B60P 7/0807 24/132 R
D460,400	S *	7/2002	Manthei	D12/223
10,189,510	B1 *	1/2019	Higgins	B62D 33/0207
10,202,080	B1 *	2/2019	Burleson	B60R 3/007
10,406,964	B1 *	9/2019	Thompson	B60P 3/40
D873,179	S *	1/2020	McCuskey	D12/106
D873,180	S *	1/2020	McCuskey	D12/106
2020/0139875	A1 *	5/2020	Carpenter	B60P 7/0807

OTHER PUBLICATIONS

Stake Pocket, www.myteeproducts.com [online]. Published on or before Oct. 20, 2020, [retrieved on Oct. 20, 2020]. Retrieved from the Internet: <URL:https://www.myteeproducts.com/stake-pocket-d-ring.html?fee=36&fep=2124&gclid=EAlalQobChMlxv7e49fD7AlVyJ-zCh2L7A-NEAQYAyABEgJyu_D_BwE> (Year: 2020).*

* cited by examiner

Primary Examiner — Michael A. Pratt

Assistant Examiner — Adam C Mager

(74) *Attorney, Agent, or Firm* — Alan D. Kamrath; Mayer & Williams PC

(57) **CLAIM**

The ornamental design for a stake pocket, as shown and described.

DESCRIPTION

FIG. 1 is a perspective view of a stake pocket showing my design.

FIG. 2 is a front elevational view thereof.

FIG. 3 is a rear elevational view thereof.

FIG. 4 is a left side elevational view thereof.

FIG. 5 is a right side elevational view thereof.

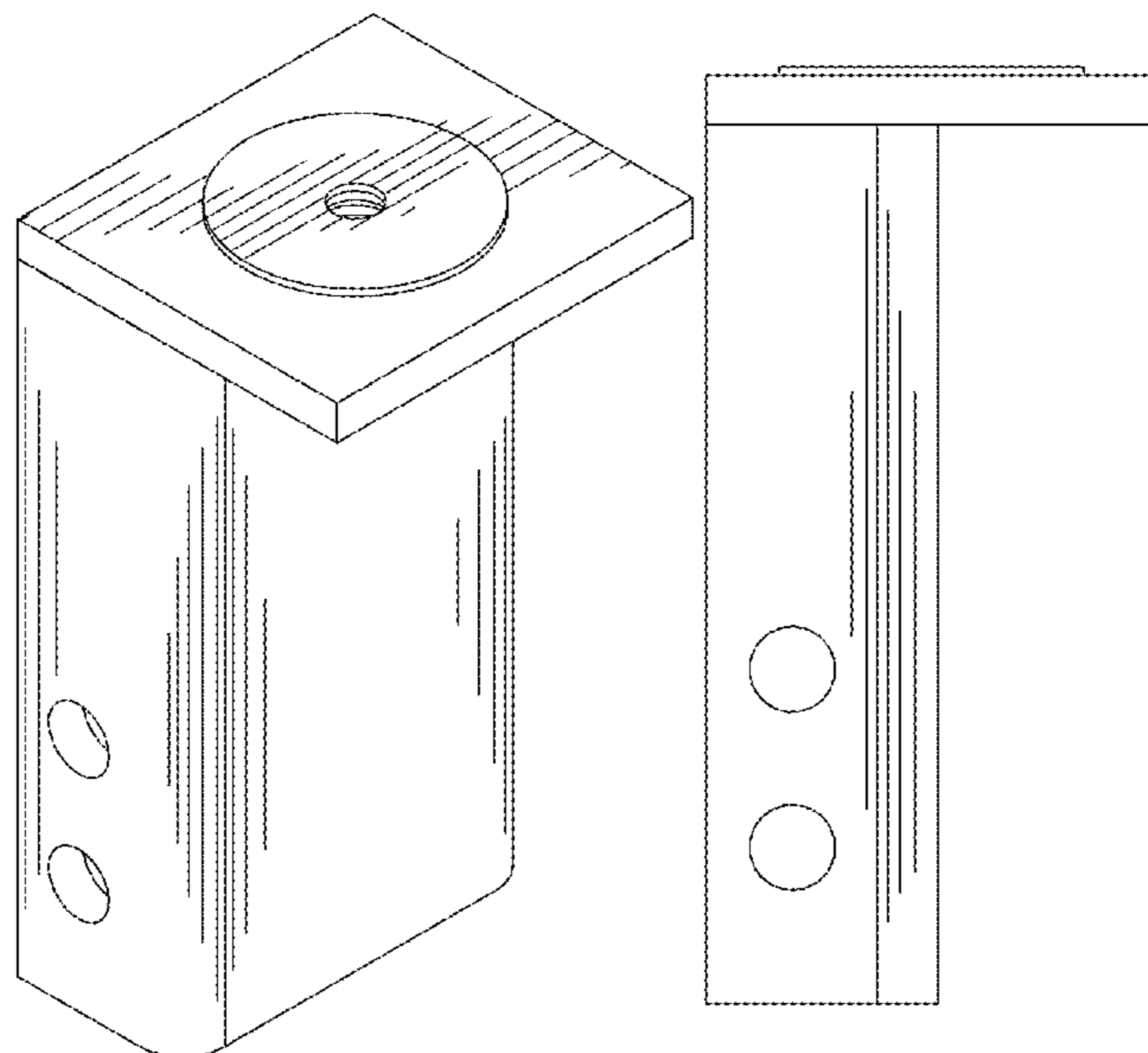
FIG. 6 is a top plan view thereof.

FIG. 7 is a bottom plan view thereof.

FIG. 8 is a perspective schematic view illustrating an application of the stake pocket showing my design. The broken lines shown are included for purposes of illustrating unclaimed portions of the stake pocket and form no part of the claimed design; and,

FIG. 9 is a perspective schematic view illustrating another application of the stake pocket showing my design. The broken lines shown are included for purposes of illustrating unclaimed portions of the stake pocket and form no part of the claimed design.

1 Claim, 9 Drawing Sheets



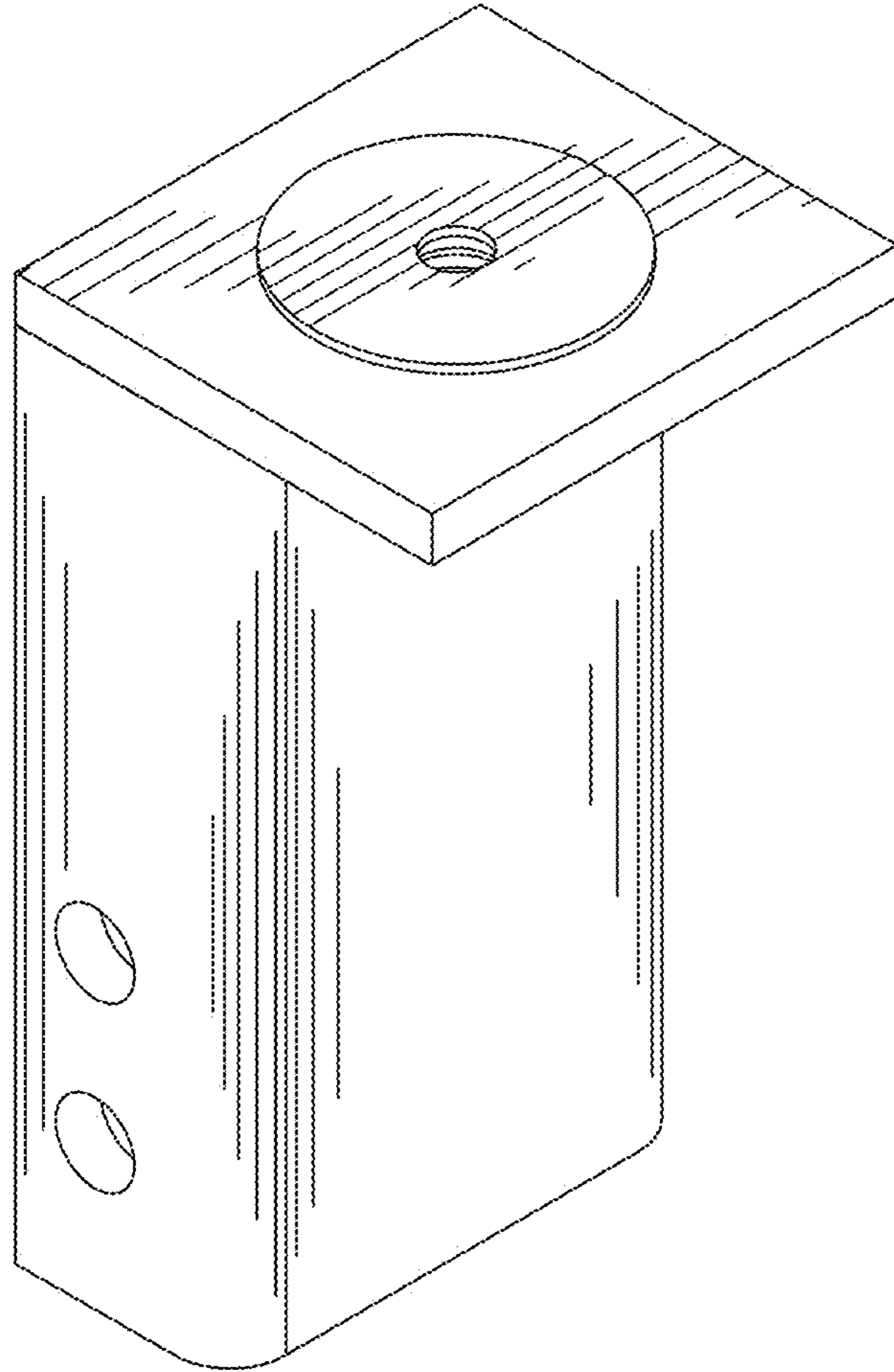


FIG.1

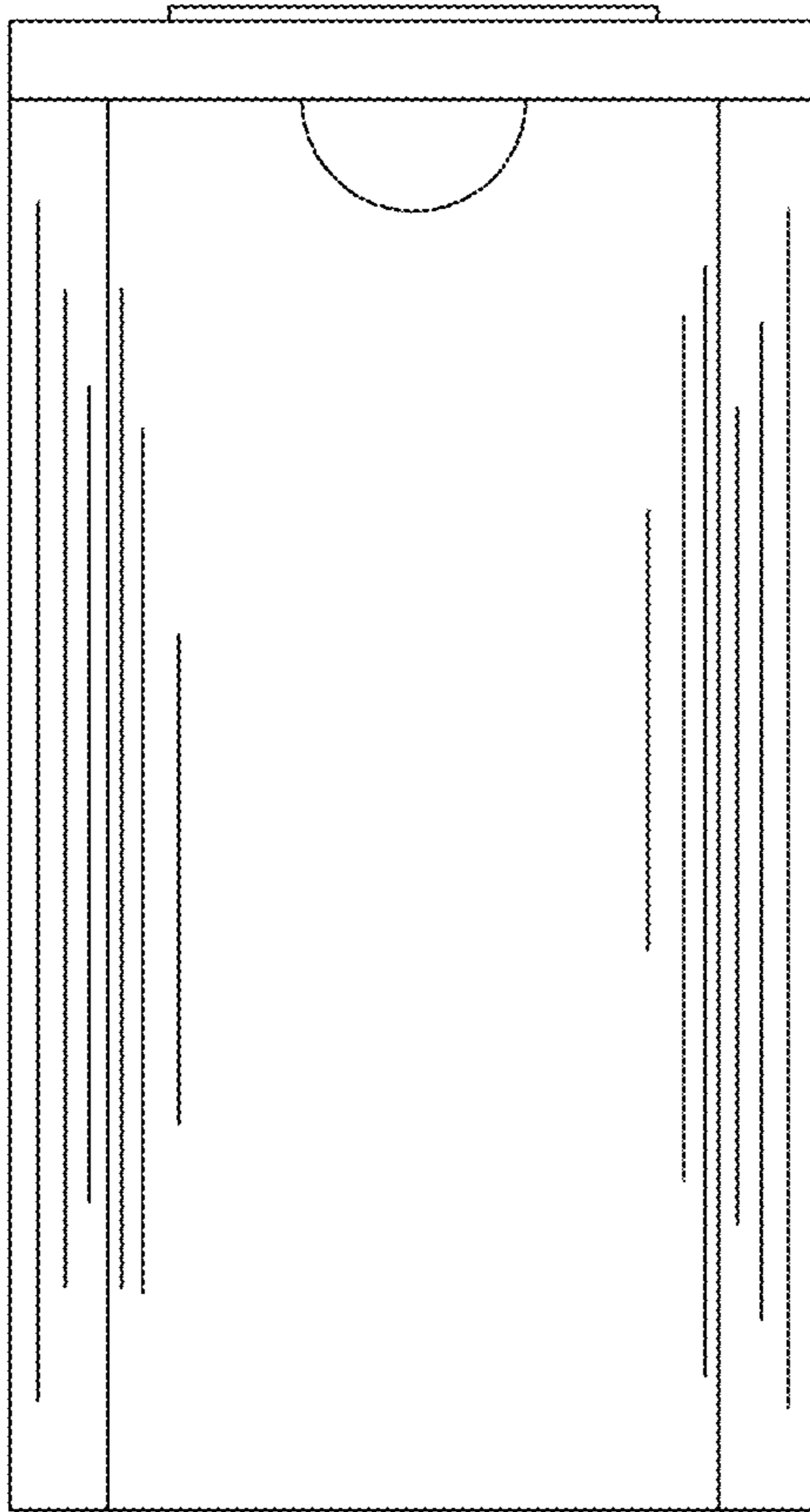


FIG.2

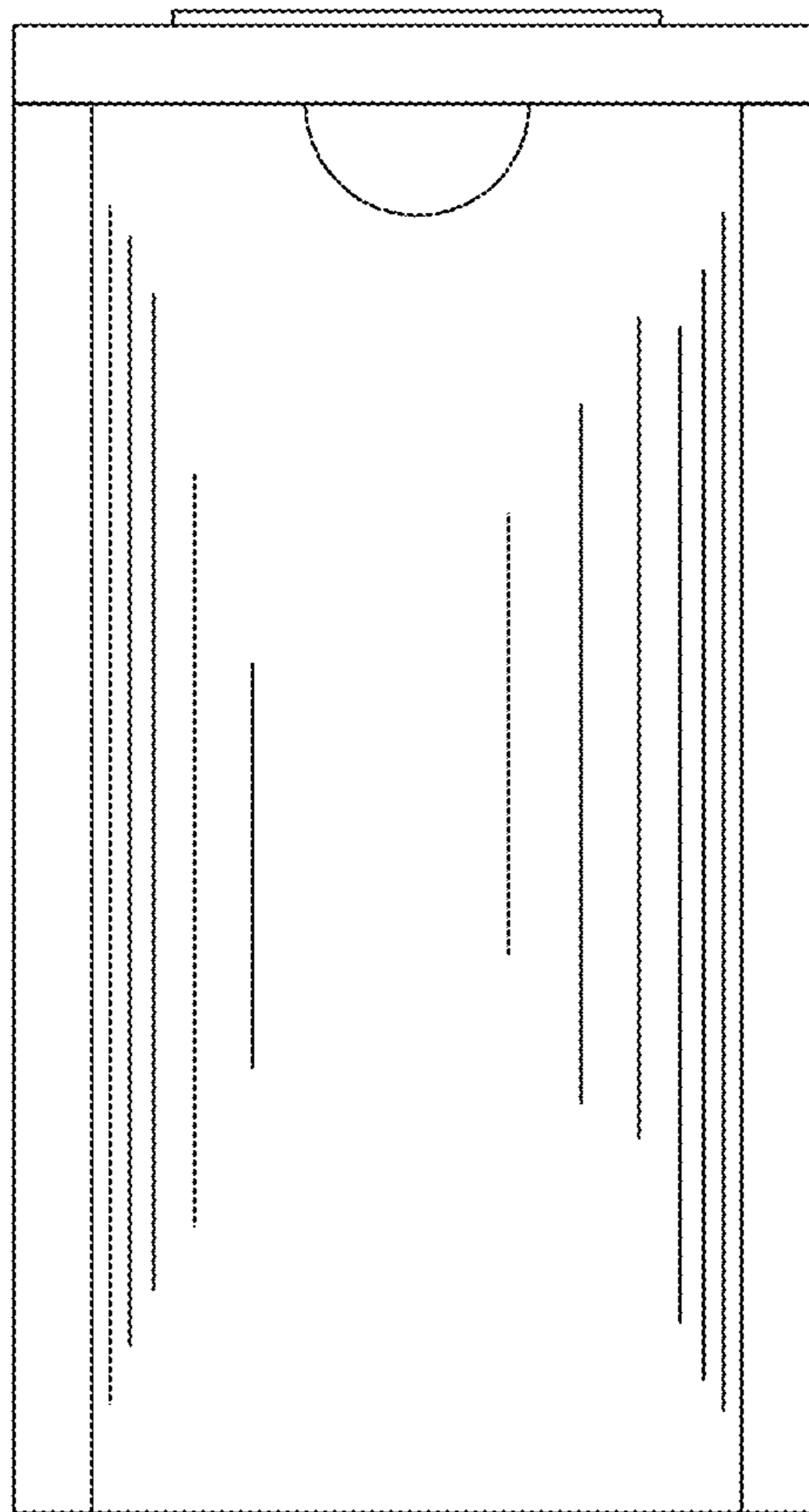


FIG.3

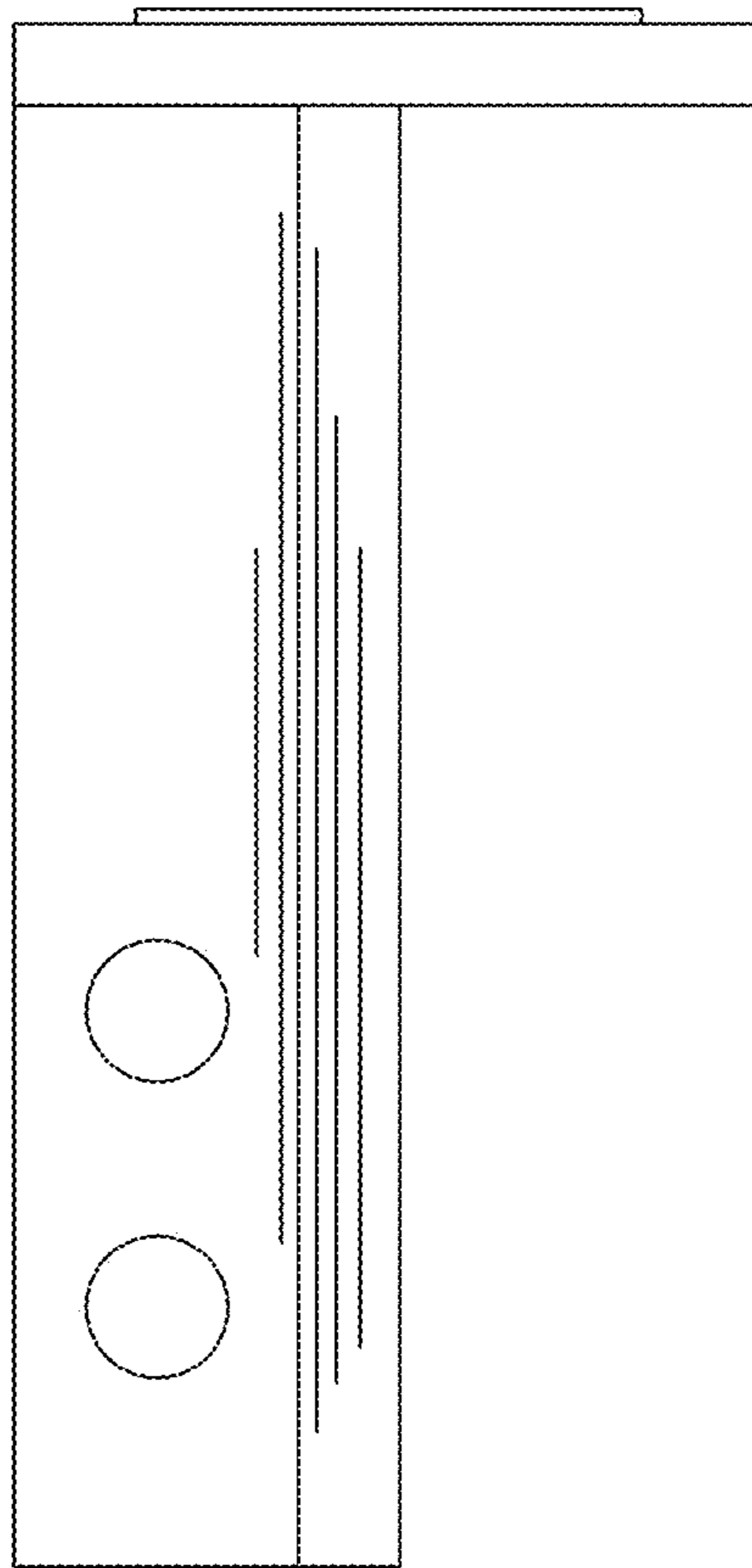


FIG.4

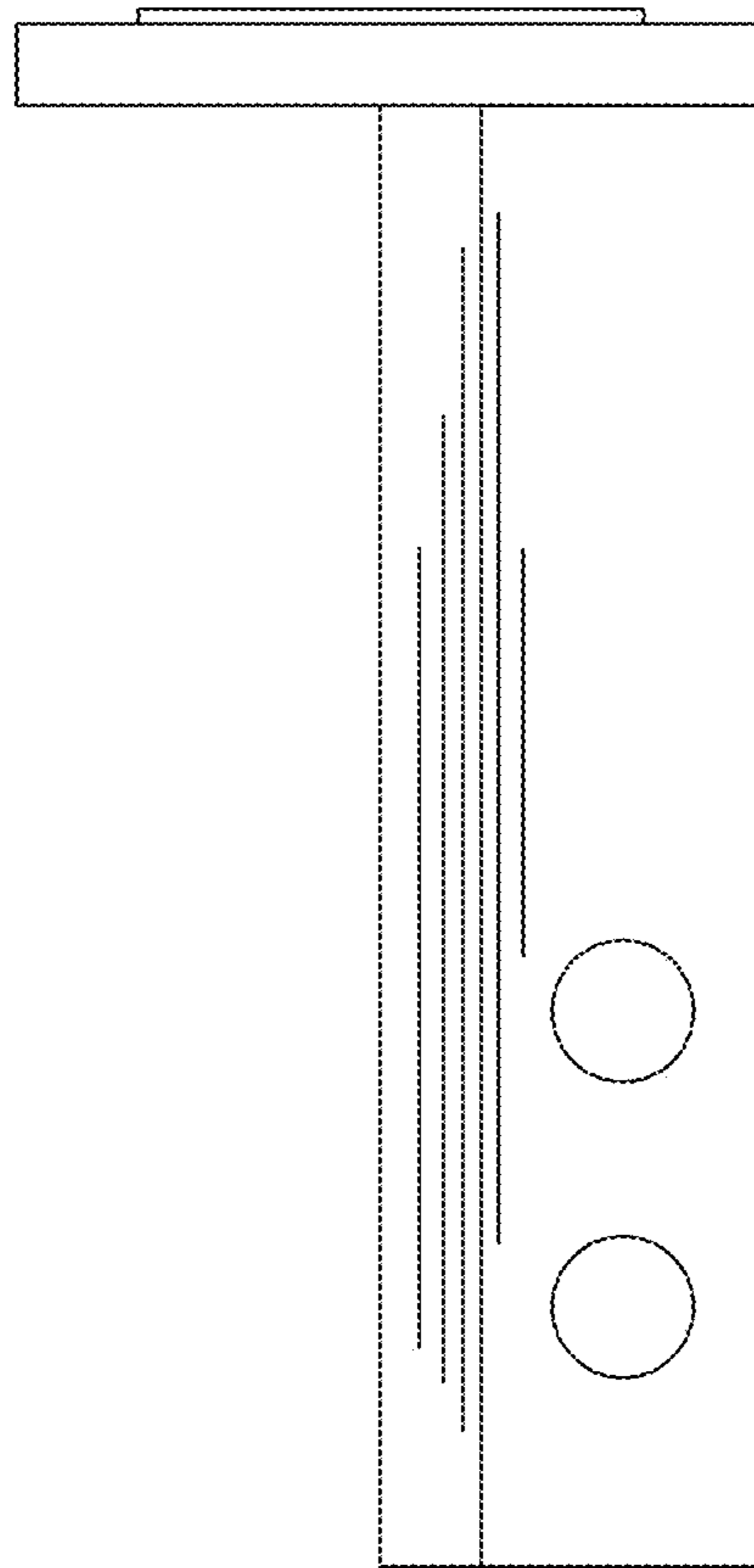


FIG.5

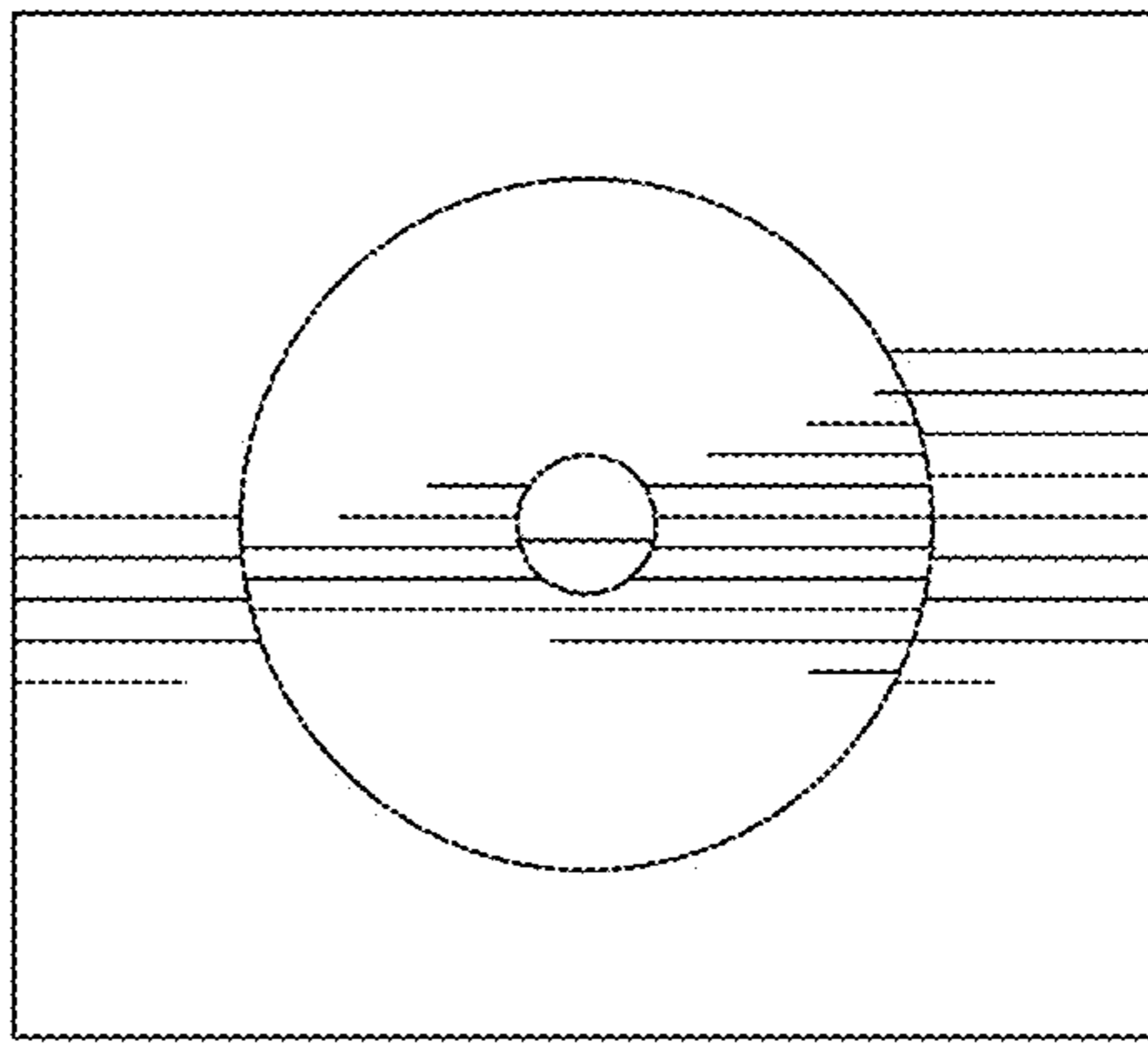


FIG. 6

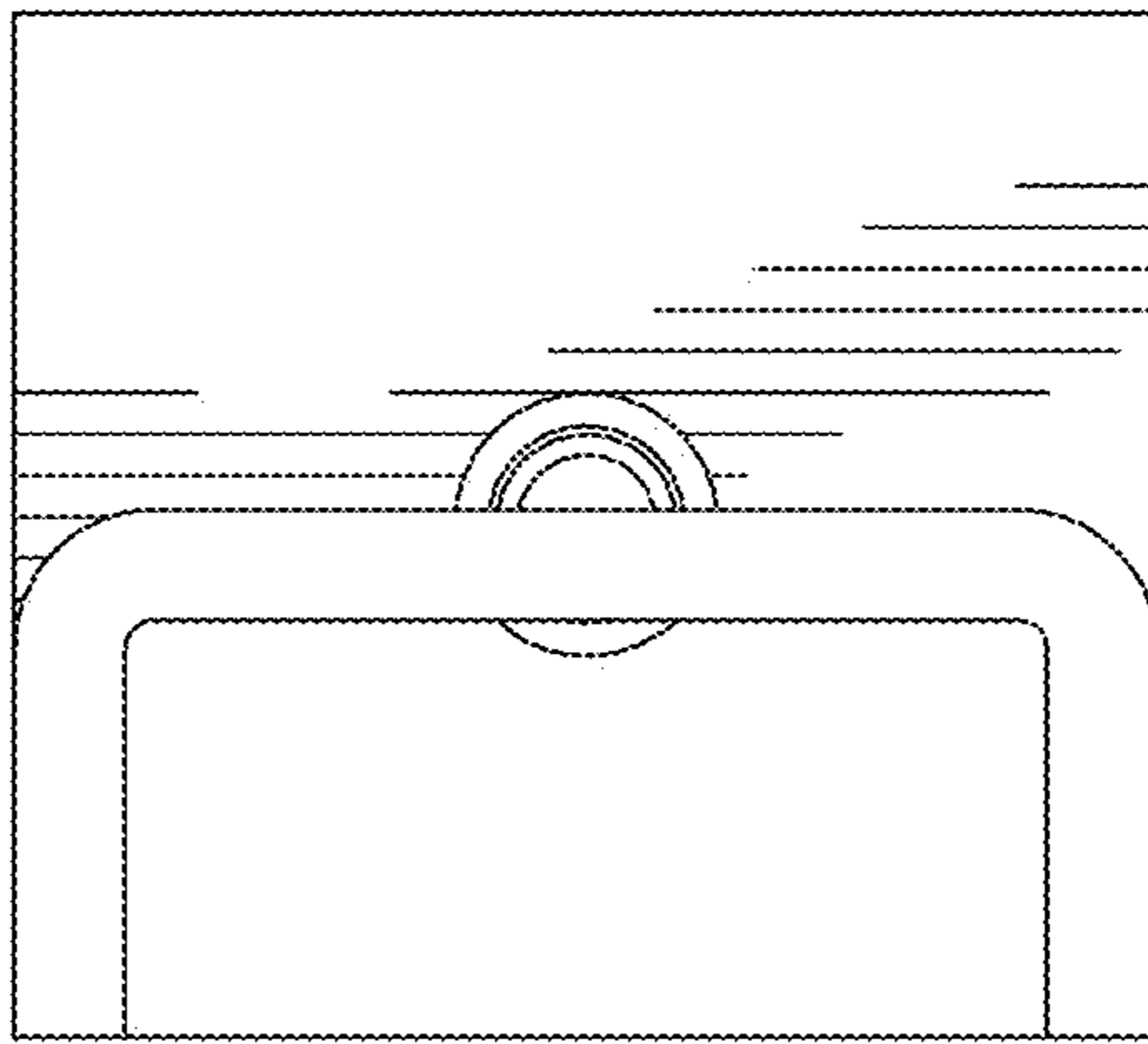


FIG. 7

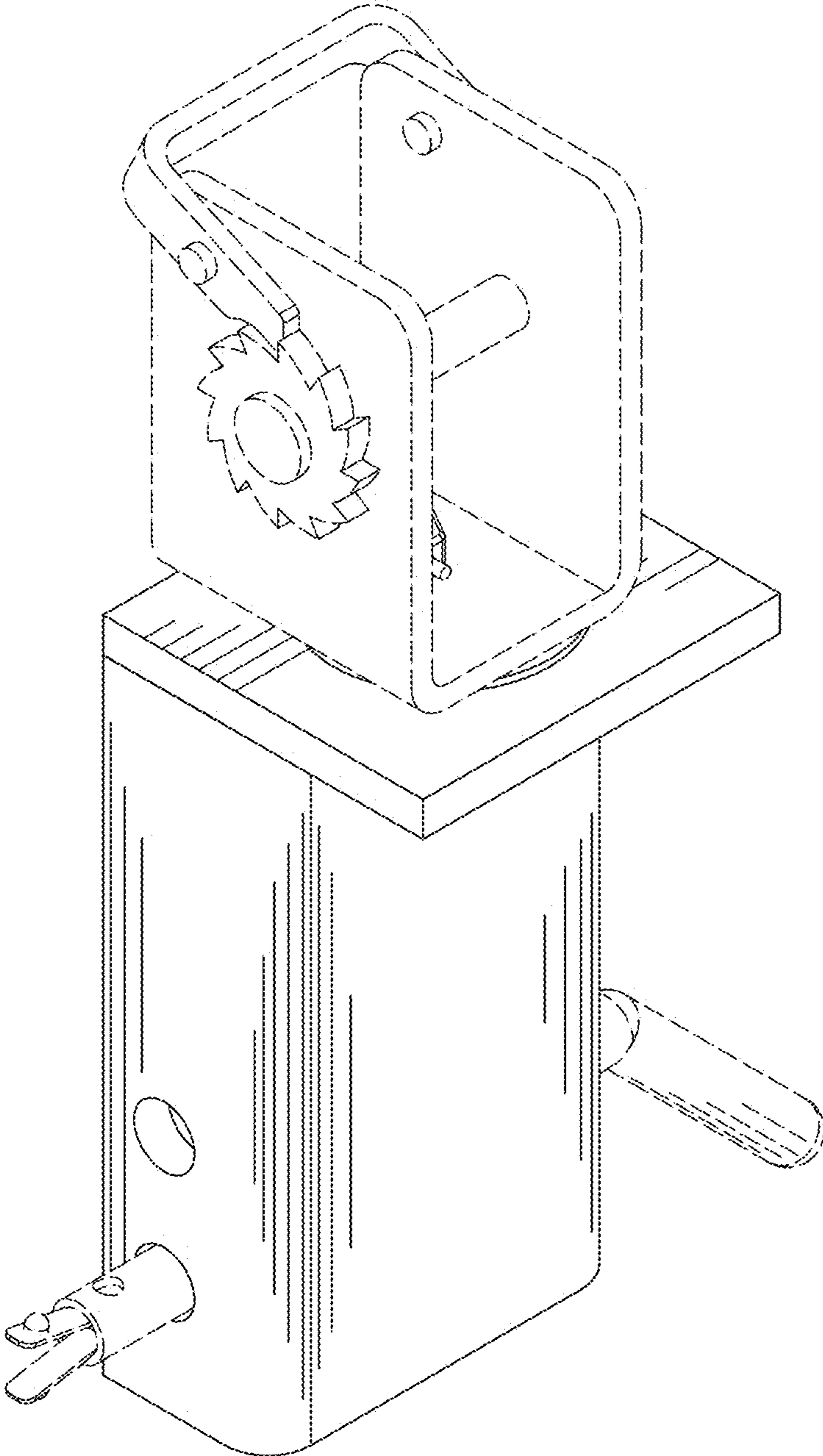


FIG. 8

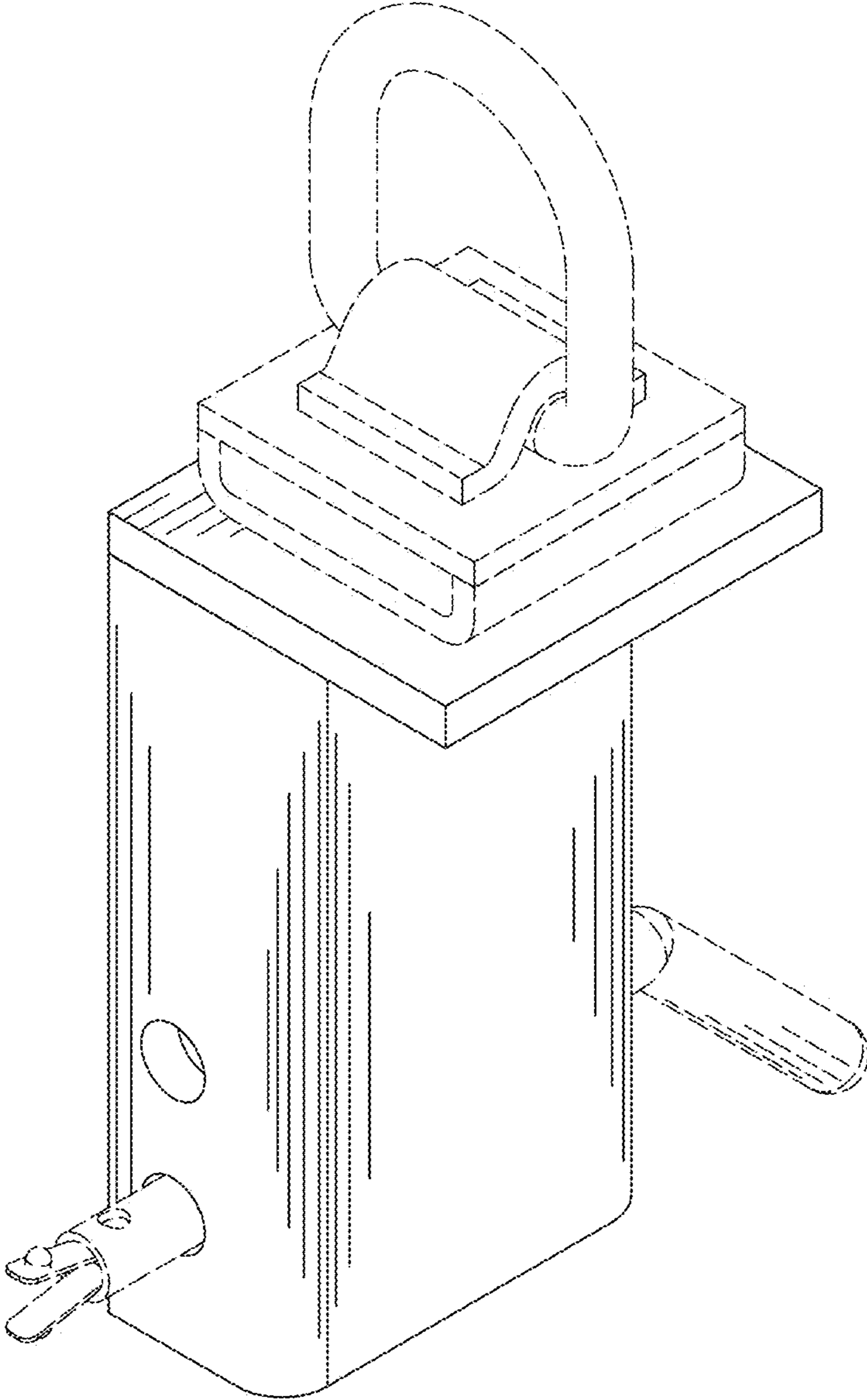


FIG.9