



US00D911247S

(12) **United States Design Patent** (10) **Patent No.:** **US D911,247 S**
Easterbrook (45) **Date of Patent:** **** Feb. 23, 2021**

(54) **LOAD BEARING ATTACHMENT ARM**

(71) Applicant: **David J. Easterbrook**, Troy, MI (US)

(72) Inventor: **David J. Easterbrook**, Troy, MI (US)

(**) Term: **15 Years**

(21) Appl. No.: **29/686,294**

(22) Filed: **Apr. 3, 2019**

(51) **LOC (13) Cl.** **12-16**

(52) **U.S. Cl.**
USPC **D12/223**

(58) **Field of Classification Search**
USPC D12/106, 114, 223, 400, 406; D8/31, 71,
D8/315, 349, 354, 380
CPC B60B 30/00; B60B 30/04; B60B 30/06;
B60B 29/00; B60C 25/00
See application file for complete search history.

(56) **References Cited**

U.S. PATENT DOCUMENTS

411,386	A *	9/1889	Malone	B60C 25/00
					29/22
D33,793	S *	12/1900	McCue	D12/223
D53,969	S *	10/1919	Light et al.	D8/28
1,541,129	A	6/1925	Farley		
3,888,354	A	6/1975	Margolin et al.		
D238,045	S *	12/1975	Hutton	D8/31
4,479,625	A	10/1984	Martz		
D312,959	S	12/1990	Hamann		
D313,544	S	1/1991	Scherer		
D430,835	S *	9/2000	McCoy	D12/162
6,547,197	B2	4/2003	Kempf et al.		
6,604,610	B2	8/2003	Starling et al.		
6,681,897	B2	1/2004	Gibson et al.		
6,752,365	B2	6/2004	Vanech		
D504,362	S	4/2005	Thompson		
6,923,141	B1	8/2005	Staats et al.		
7,073,778	B2	7/2006	Gibson et al.		
7,231,884	B1	6/2007	Rang		

D623,926	S *	9/2010	Esjunin	D8/354
7,815,158	B2 *	10/2010	Henderson	B62D 43/002
					248/278.1
8,245,991	B2 *	8/2012	Hung	F16M 13/02
					248/276.1
9,168,783	B2 *	10/2015	Black	B66F 7/28
9,302,542	B2 *	4/2016	Easterbrook	A47B 96/061
D756,762	S *	5/2016	Hohmann, Jr.	E04H 9/02
					D8/382
D776,578	S	1/2017	Kuo et al.		
10,723,175	B2 *	7/2020	Easterbrook	F16M 11/08
2002/0003196	A1	1/2002	Gibson et al.		
2003/0155475	A1	8/2003	Hicks		
2009/0067966	A1	3/2009	Hicks		
2012/0079769	A1	4/2012	Krause		
2013/0240696	A1 *	9/2013	Black	F16M 13/022
					248/226.11
2014/0284441	A1	9/2014	Easterbrook		

* cited by examiner

Primary Examiner — Michael A. Pratt
Assistant Examiner — Adam C Mager
(74) *Attorney, Agent, or Firm* — Dinsmore & Shohl LLP

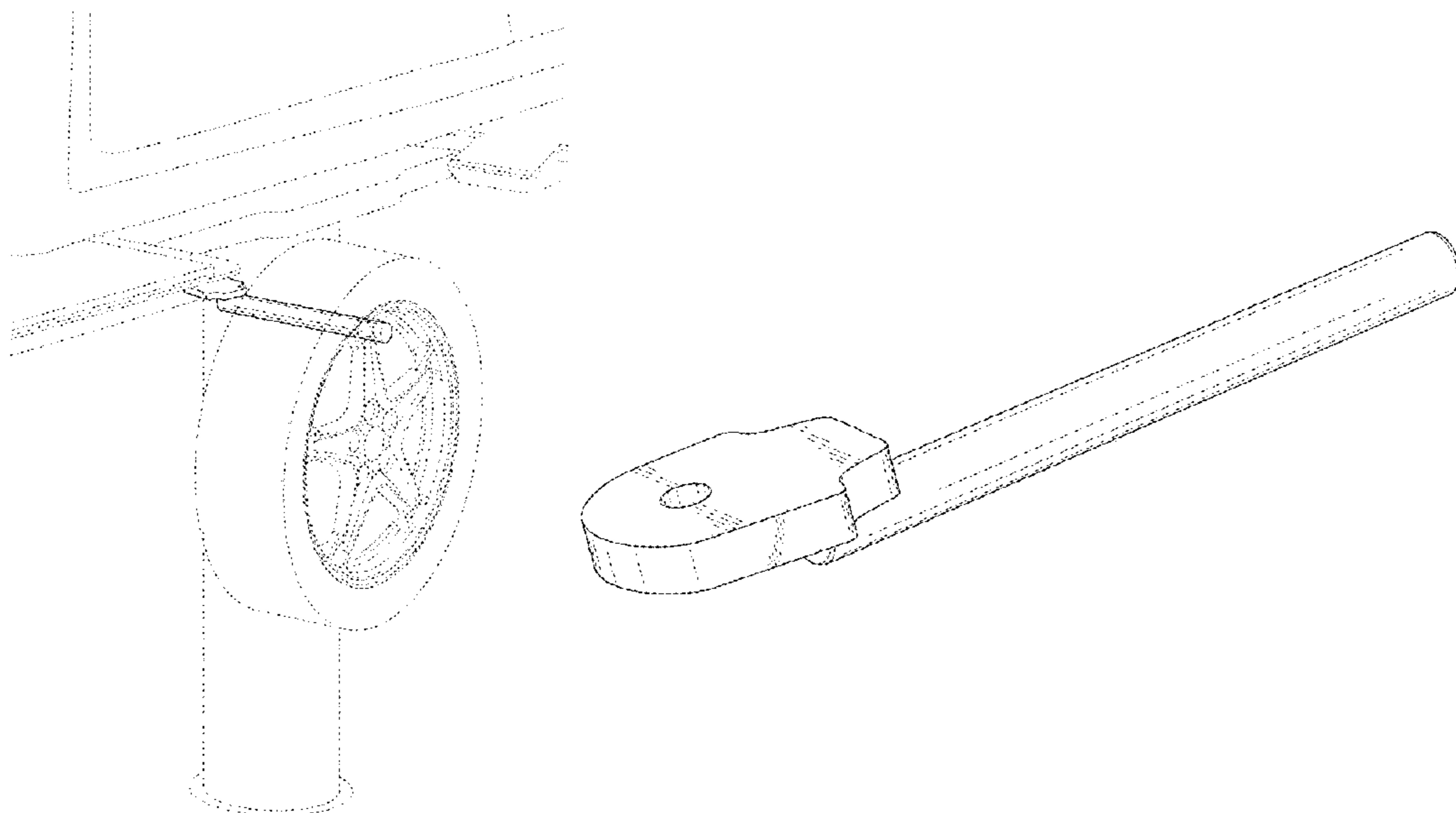
(57) **CLAIM**

The ornamental design for a load bearing attachment arm, as shown and described.

DESCRIPTION

FIG. 1 is an environmental view of the present design;
FIG. 2 is a perspective view of the present design;
FIG. 3 is a bottom view of the present design;
FIG. 4 is a right side view of the present design, a corresponding left side view being a mirror image thereof;
FIG. 5 is a top view of the present design;
FIG. 6 is a rear view of the present design; and,
FIG. 7 is a front view of the present design.
The broken lines shown in the drawings are included for the purpose of illustrating environmental structure and form no part of the claimed design.

1 Claim, 3 Drawing Sheets



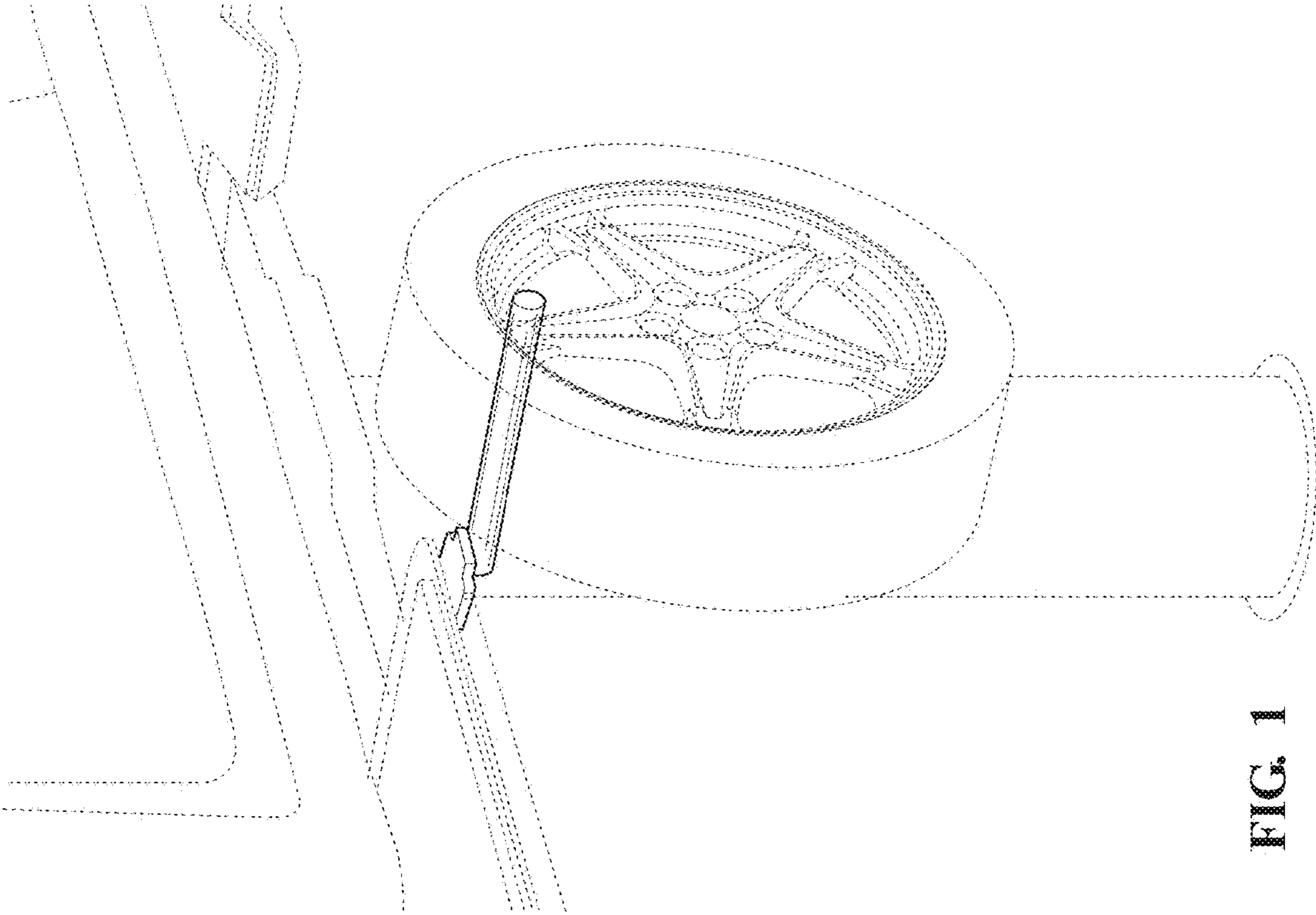


FIG. 1

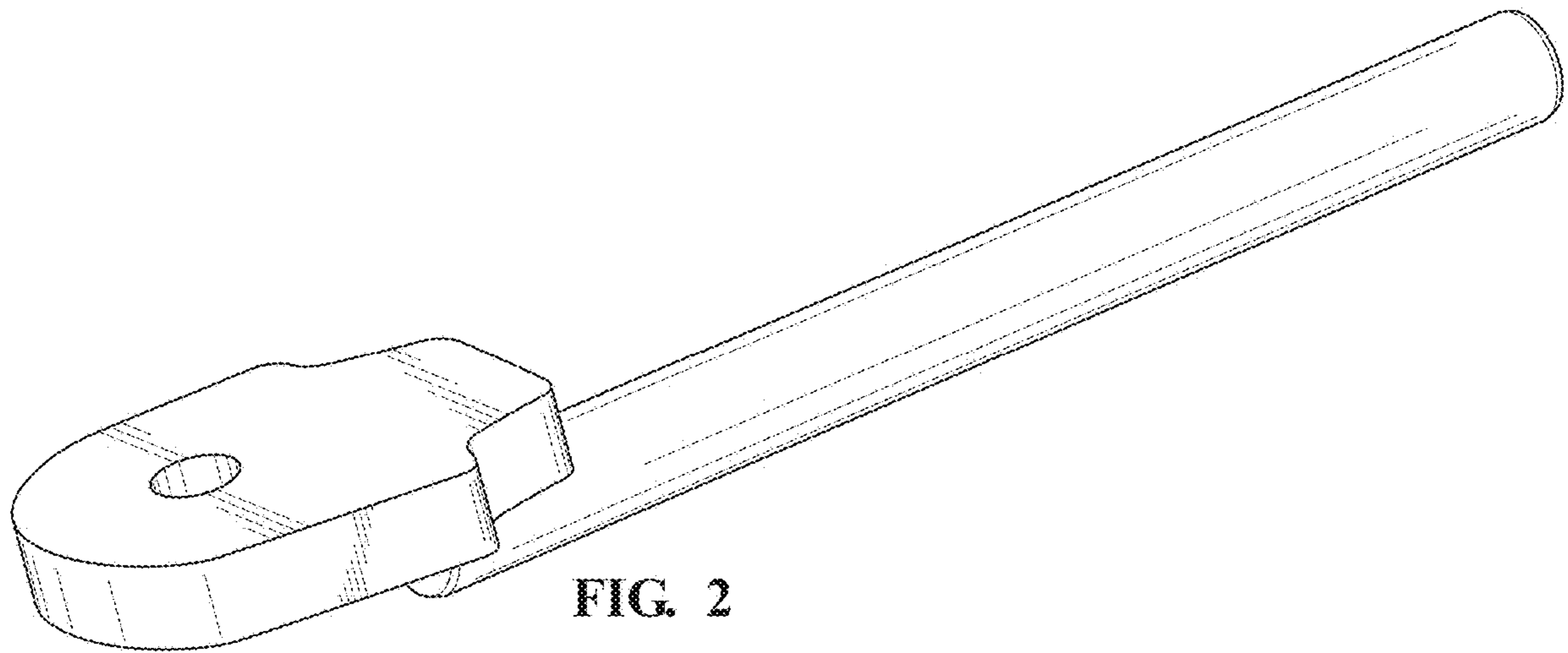


FIG. 2

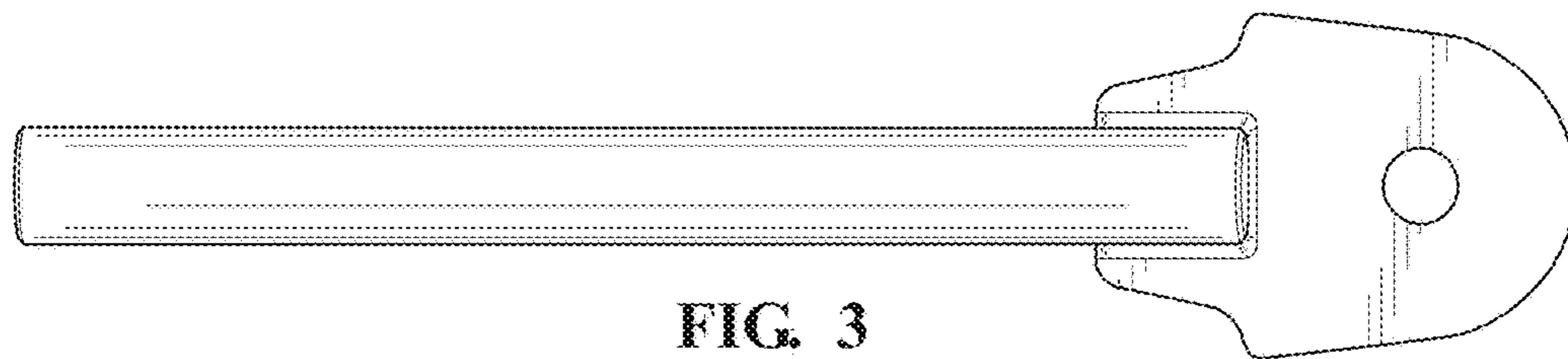


FIG. 3

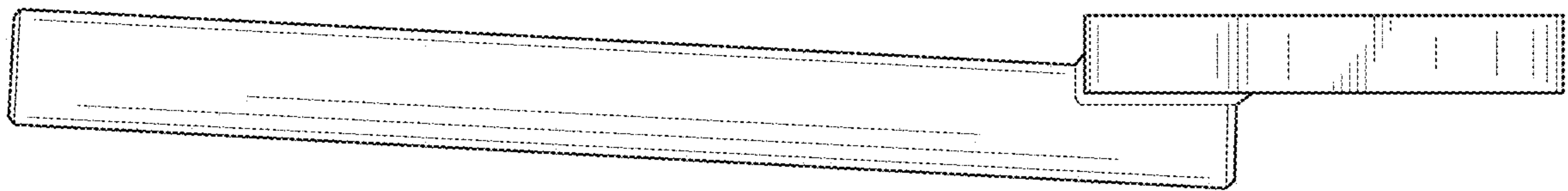


FIG. 4

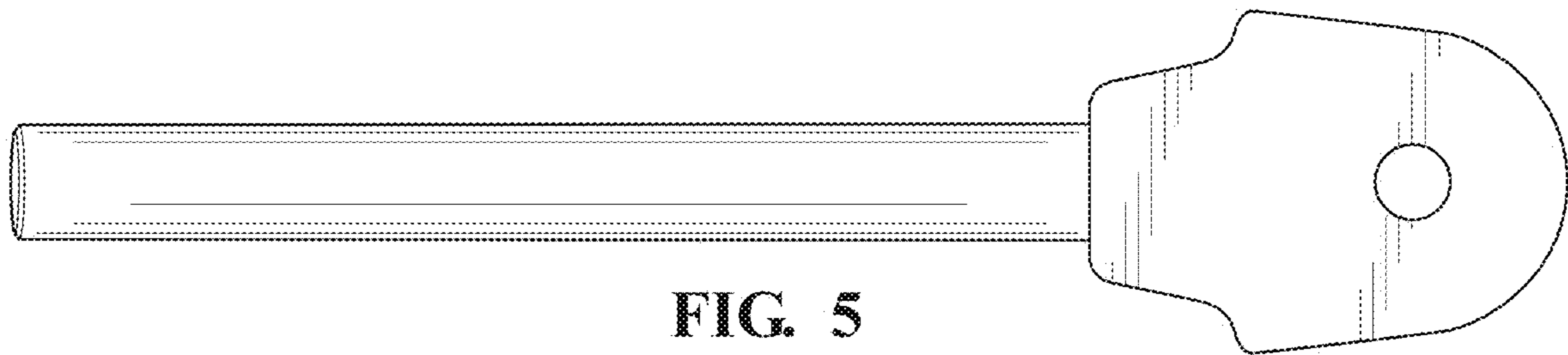


FIG. 5

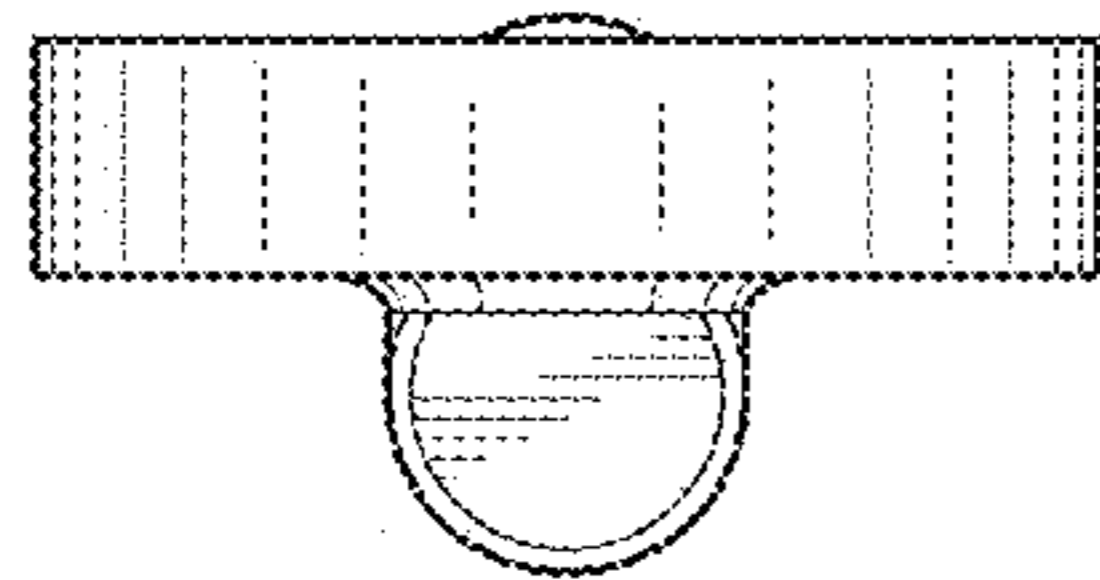


FIG. 6

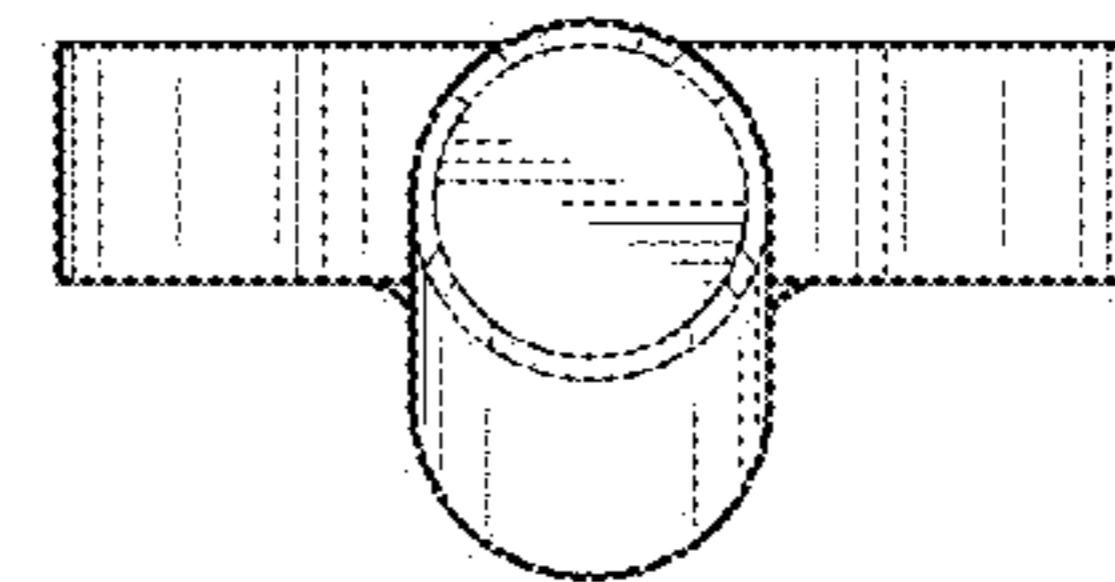


FIG. 7