



US00D911246S

(12) **United States Design Patent**  
**Lickliter**

(10) **Patent No.:** **US D911,246 S**

(45) **Date of Patent:** **\*\* Feb. 23, 2021**

(54) **WHEEL CAP**

(71) Applicant: **Wheel Pros, LLC**, Greenwood Village,  
CO (US)

(72) Inventor: **Hans Lickliter**, Canyon Country, CA  
(US)

(\*\*) Term: **15 Years**

(21) Appl. No.: **29/722,960**

(22) Filed: **Feb. 3, 2020**

(51) **LOC (13) Cl.** ..... **12-16**

(52) **U.S. Cl.**  
USPC ..... **D12/213**

(58) **Field of Classification Search**  
USPC ..... D12/204-213; D21/563  
CPC .... B60B 7/00; B60B 7/02; B60B 7/04; B60B  
7/01; B60B 7/06; B60B 3/02; B60B 3/04;  
B60B 3/06; B60B 3/10; B60B 1/00;  
B60B 1/08; B60B 1/10; B60B 1/12  
See application file for complete search history.

(56) **References Cited**

**U.S. PATENT DOCUMENTS**

D321,164 S	*	10/1991	Gibson	.....	D12/213
D392,240 S	*	3/1998	Kingsland	.....	D12/213
D450,290 S	*	11/2001	Schardt	.....	D12/213
D453,914 S	*	2/2002	Dumigan	.....	D12/213
D498,198 S	*	11/2004	Buma	.....	D12/213
D498,447 S	*	11/2004	Kato	.....	D12/207
D608,716 S	*	1/2010	Baumann	.....	D12/213
D629,731 S	*	12/2010	Wang	.....	D12/207
D749,482 S	*	2/2016	Schroeder	.....	D12/207
D751,022 S	*	3/2016	Chung	.....	D12/213

D751,489 S	*	3/2016	Chung	.....	D12/213
D754,584 S	*	4/2016	Fretz	.....	D12/213
D761,183 S	*	7/2016	Bennett	.....	B60B 7/04 D12/213
D793,325 S	*	8/2017	Platto	.....	D12/213
D798,218 S	*	9/2017	Platto	.....	D12/213
D803,137 S	*	11/2017	Platto	.....	D12/213
D823,212 S	*	7/2018	Prasad	.....	D12/207
D831,554 S	*	10/2018	Caldwell	.....	D12/207
D838,228 S	*	1/2019	Chung	.....	D12/213
D849,659 S	*	5/2019	Lee	.....	D12/213
D852,715 S	*	7/2019	Ash	.....	D12/213
D860,105 S	*	9/2019	Moore	.....	D12/213
D877,015 S	*	3/2020	Chen	.....	D12/207
D885,296 S	*	5/2020	Hale, Jr.	.....	D12/213
2010/0194181 A1	*	8/2010	Noriega	.....	B60B 1/06 301/37.26
2015/0035348 A1	*	2/2015	Wang	.....	B60B 7/06 301/108.1

\* cited by examiner

*Primary Examiner* — Stacia A Cadmus

(74) *Attorney, Agent, or Firm* — Eric Hanscom

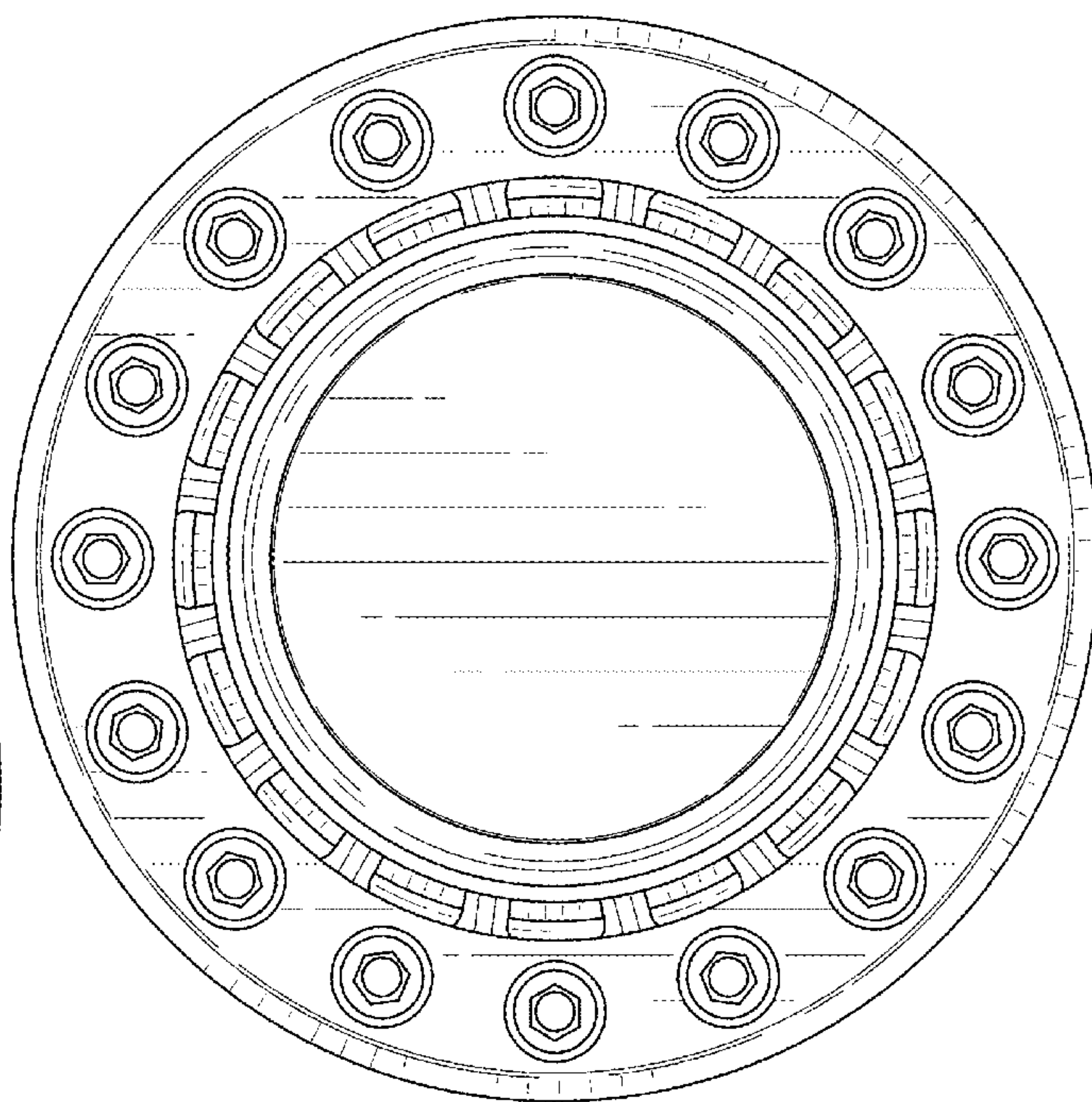
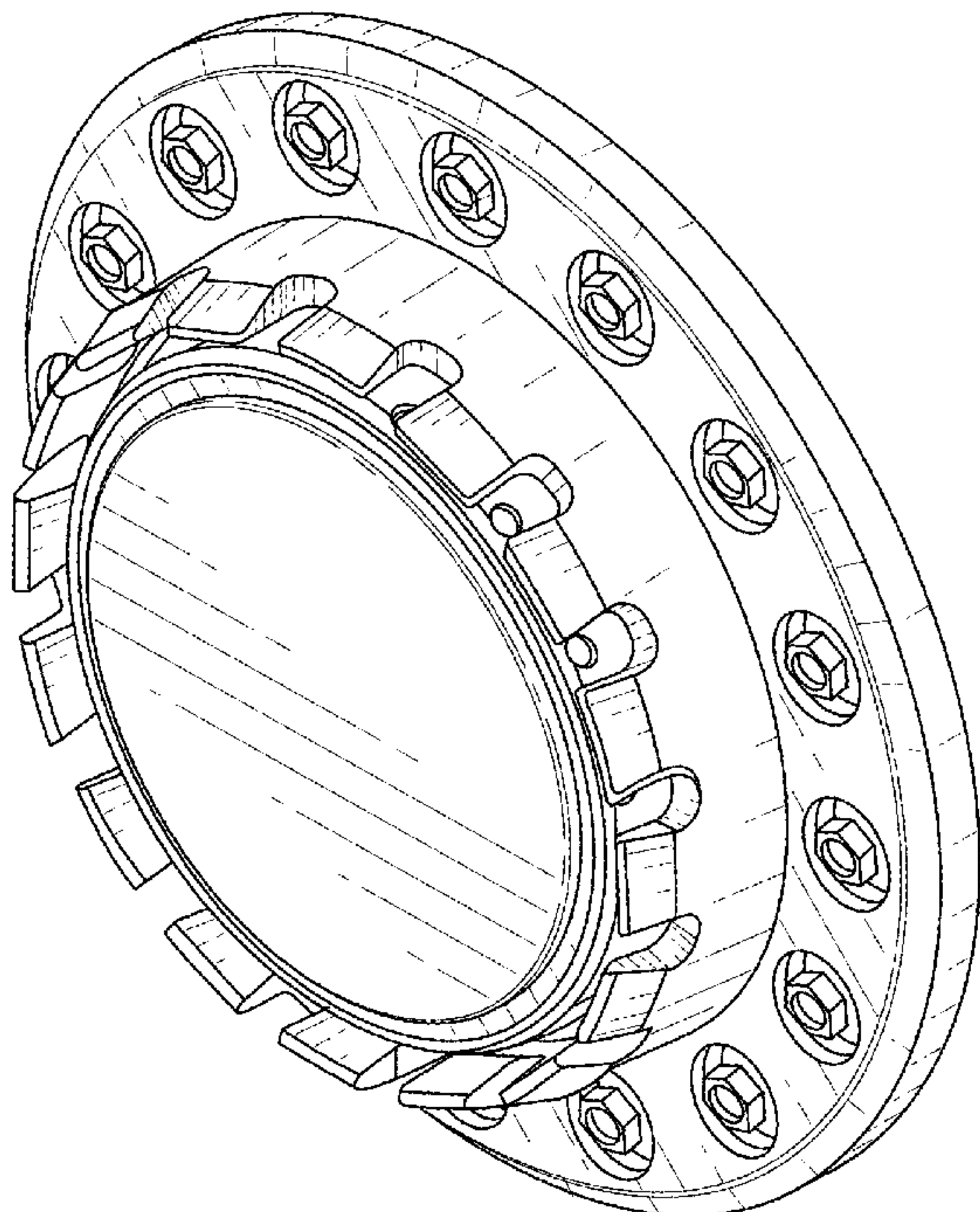
(57) **CLAIM**

The ornamental design for a wheel cap, as shown and described.

**DESCRIPTION**

FIG. 1 is a perspective view of a wheel cap showing my new design; and, FIG. 2 is a front view thereof. In the drawings, broken lines shown in the drawings depict environmental subject matter only and form no part of the claimed design.

**1 Claim, 2 Drawing Sheets**



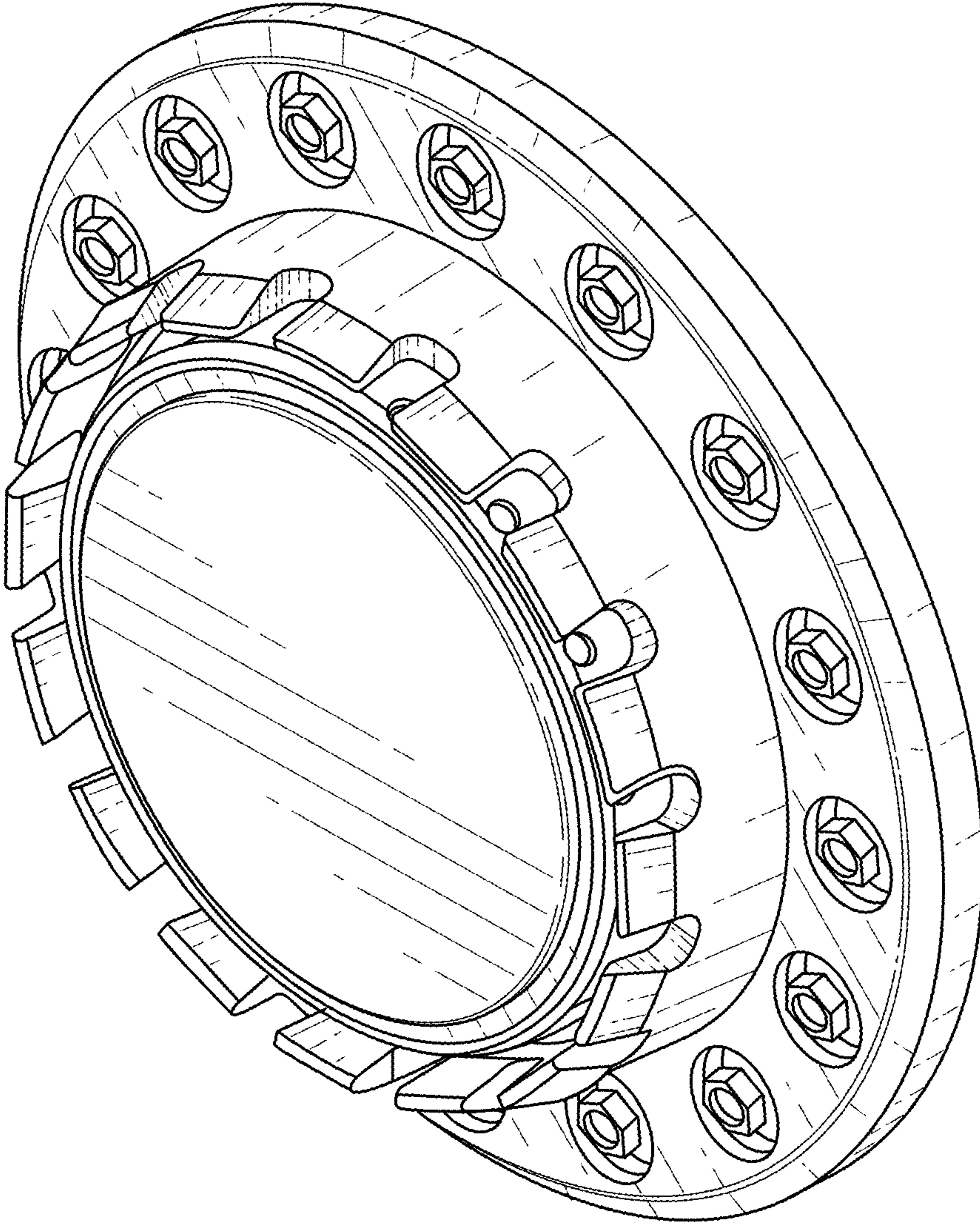


FIG. 1



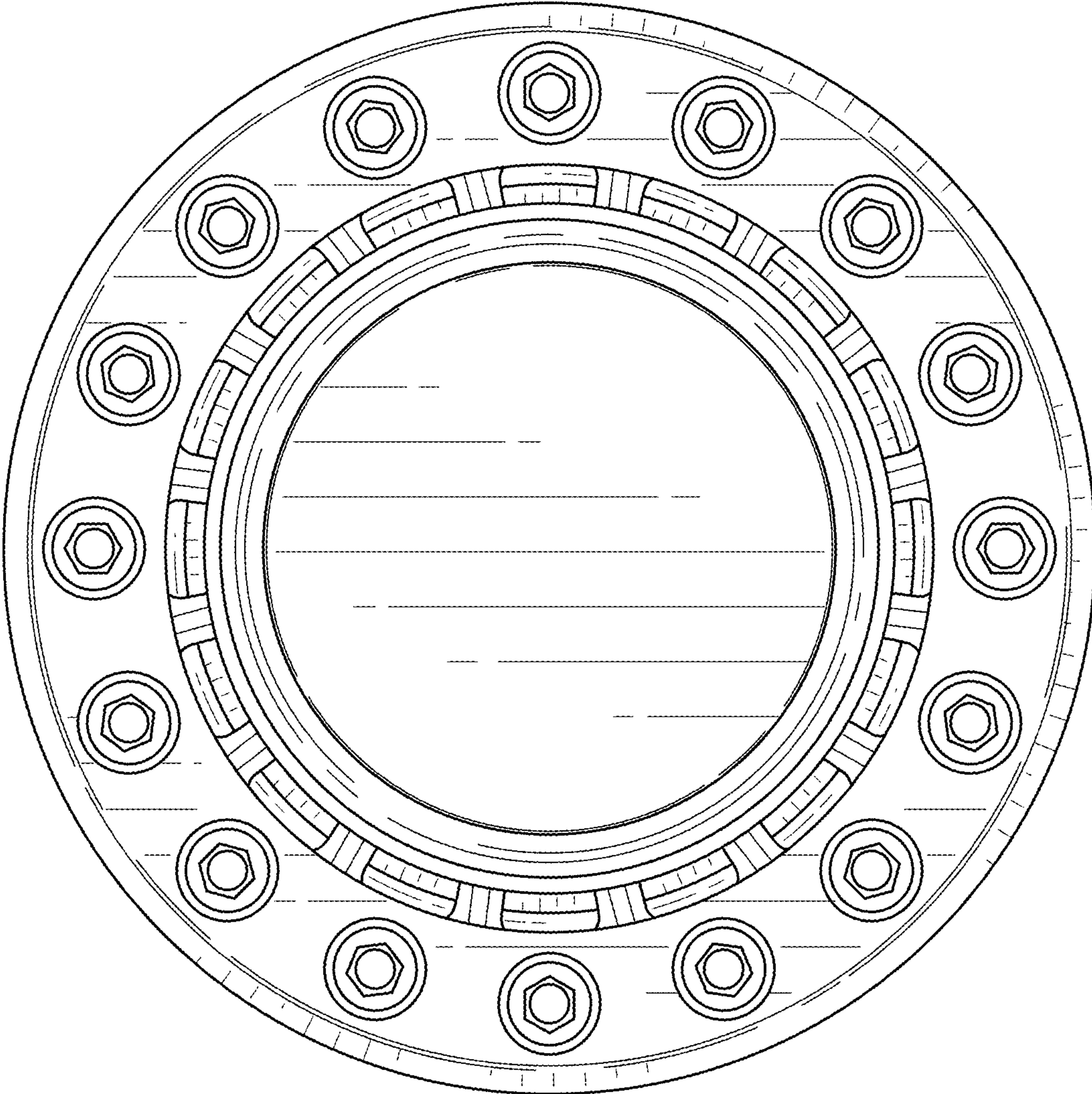


FIG. 2