



US00D911242S

(12) **United States Design Patent** (10) **Patent No.:** **US D911,242 S**
Piaskowski et al. (45) **Date of Patent:** **** Feb. 23, 2021**

(54) **VEHICLE WHEEL**

(71) Applicant: **Ford Global Technologies, LLC**,
Dearborn, MI (US)

(72) Inventors: **Joel Piaskowski**, Birmingham, MI
(US); **Gordon M. Platto**, Troy, MI
(US); **Dean Carbis**, Bloomfield Hills,
MI (US); **Robert T. Laster**, Wixom,
MI (US); **Mark Kaski**, Royal Oak, MI
(US)

(73) Assignee: **Ford Global Technologies, LLC**,
Dearborn, MI (US)

(**) Term: **15 Years**

(21) Appl. No.: **29/708,861**

(22) Filed: **Oct. 10, 2019**

(51) **LOC (13) Cl.** **12-16**

(52) **U.S. Cl.**
USPC **D12/209**

(58) **Field of Classification Search**
USPC D12/204–213; D21/563
CPC B60B 7/00; B60B 7/02; B60B 7/04; B60B
7/01; B60B 7/06; B60B 3/02; B60B 3/04;
B60B 3/06; B60B 3/10; B60B 1/00;
B60B 1/08; B60B 1/10; B60B 1/12
See application file for complete search history.

(56) **References Cited**

U.S. PATENT DOCUMENTS

D606,477 S	12/2009	Gelardi et al.
D673,094 S	12/2012	Behmer et al.
D673,095 S	12/2012	Behmer et al.
D673,101 S	12/2012	Behmer et al.
D673,102 S	12/2012	Behmer et al.
D691,541 S	10/2013	Behmer et al.
D694,693 S	12/2013	Behmer et al.

D706,701 S	6/2014	Mays et al.	
D708,112 S	7/2014	Mays et al.	
D720,270 S	12/2014	Mays et al.	
D721,027 S	1/2015	Mays et al.	
D725,018 S	* 3/2015	Zhao	D12/209
D725,570 S	3/2015	Mays et al.	
D726,091 S	4/2015	Mays et al.	
D726,626 S	4/2015	Mays et al.	
D730,798 S	6/2015	Mays et al.	
D744,931 S	12/2015	Curic et al.	
D800,629 S	* 10/2017	Tran	D12/209
D801,251 S	* 10/2017	Chung	D12/209
D827,538 S	9/2018	Behmer et al.	
D827,539 S	9/2018	Behmer et al.	
D832,179 S	10/2018	Behmer et al.	
D845,855 S	* 4/2019	Chung	D12/209
D856,248 S	8/2019	Behmer et al.	
D863,180 S	* 10/2019	Han	D12/209
D863,181 S	* 10/2019	Han	D12/209

(Continued)

OTHER PUBLICATIONS

Meghan Drummond, 2020 Mustang Hybrid, <https://www.cjponyparts.com/resources/2020-mustang-hybrid> Sep. 13, 2019.

(Continued)

Primary Examiner — Stacia A Cadmus

(74) *Attorney, Agent, or Firm* — Michael Spenner

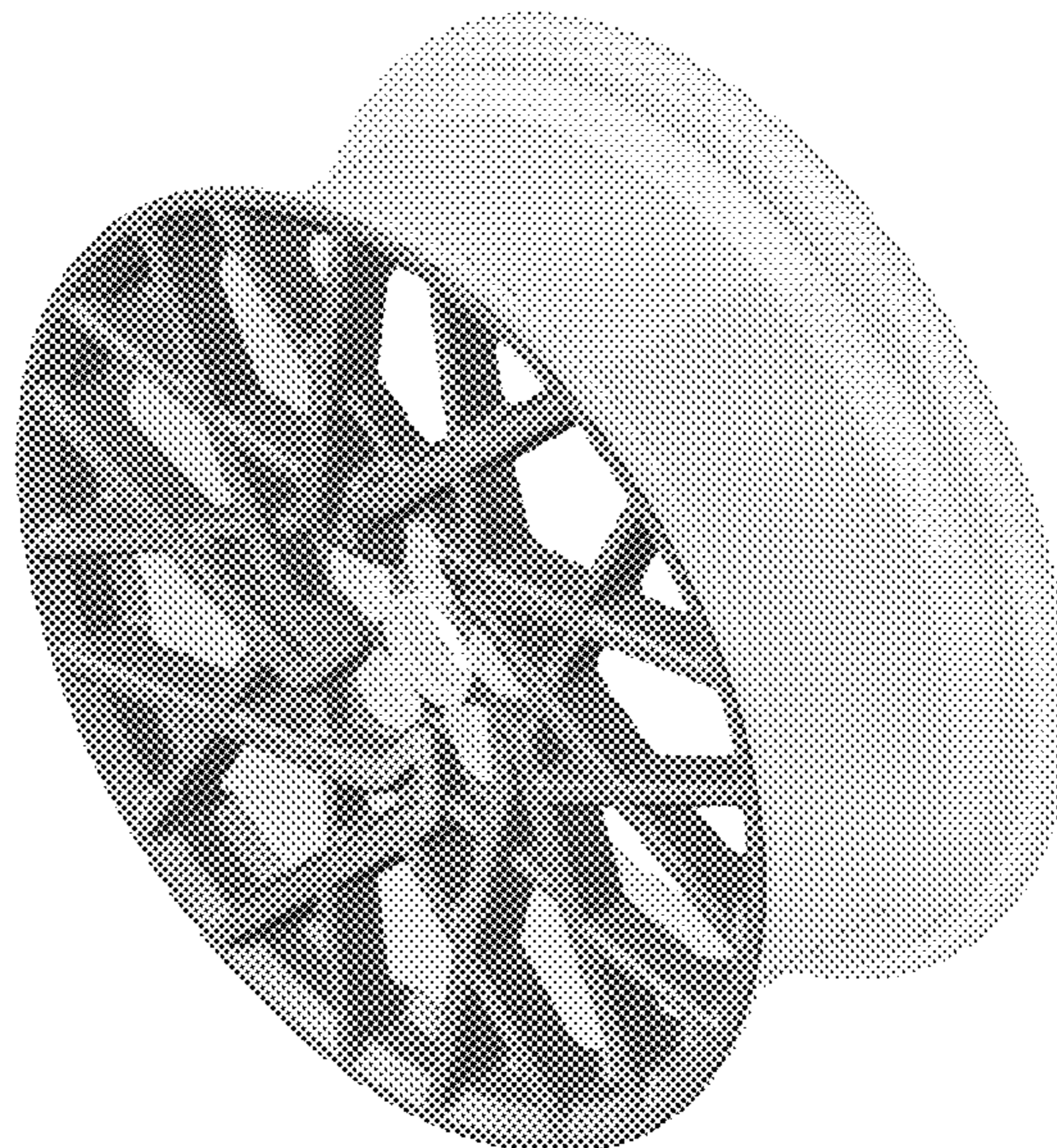
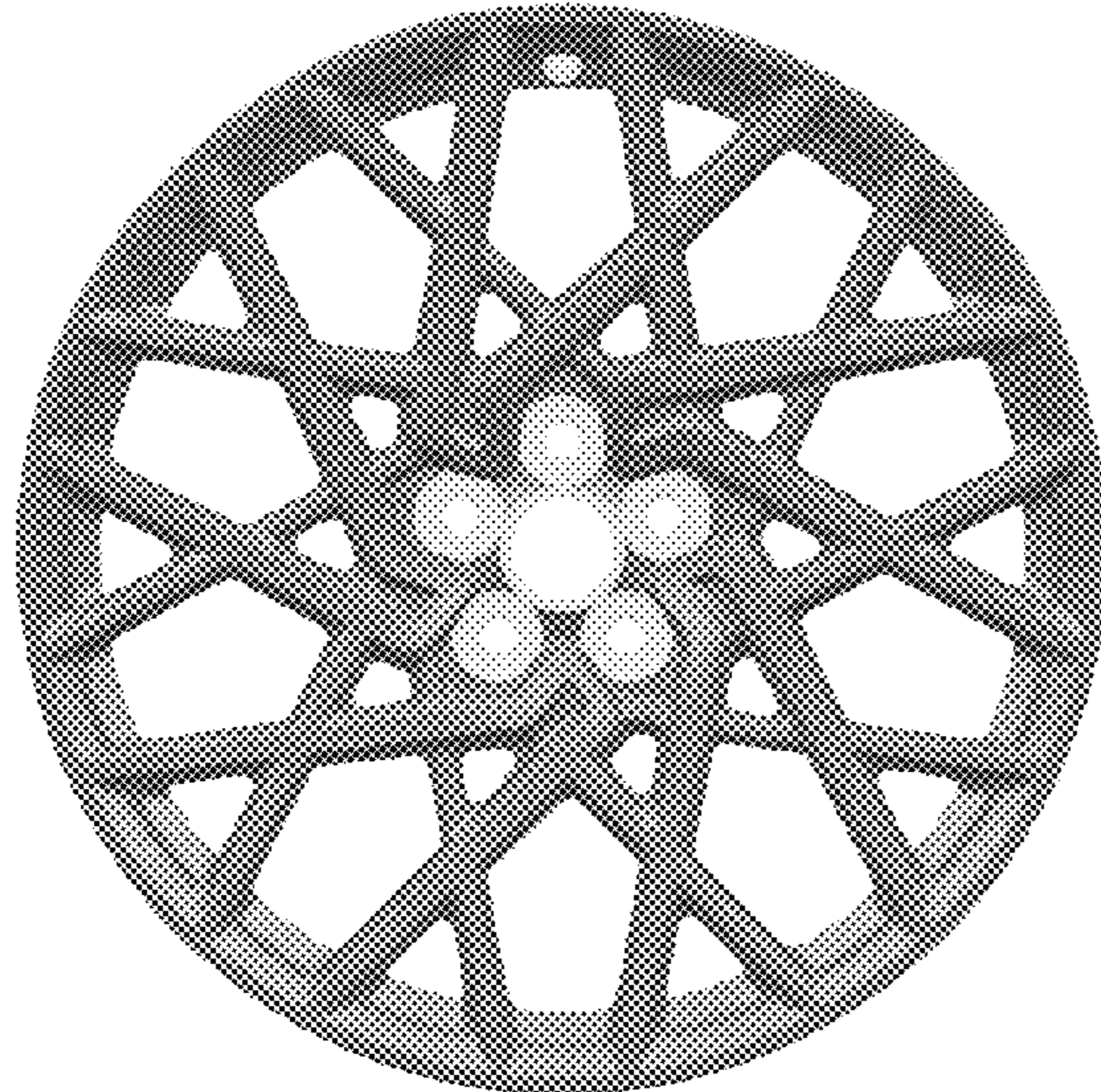
(57) **CLAIM**

The ornamental design for a vehicle wheel, as shown and described.

DESCRIPTION

FIG. 1 is a front elevational view of a vehicle wheel showing our new design; and, FIG. 2 is a perspective view thereof. The claimed design is indicated by the relatively dark portions in the figures. The de-emphasized and relatively light portions form no part of the claimed design.

1 Claim, 2 Drawing Sheets



(56)

References Cited

U.S. PATENT DOCUMENTS

D863,191 S * 10/2019 Han D12/209
D867,255 S * 11/2019 Tian D12/209
D877,022 S * 3/2020 Hahn D12/209
D889,367 S * 7/2020 Han D12/209

OTHER PUBLICATIONS

Andrew Krok, Ford's 'Mustang-inspired' electric SUV: Everything we know, <https://www.cnet.com/roadshow/news/ford-mustang-inspired-electric-sub-details-rumors> Oct. 2, 2019.

Ford News Clips—Briefing, Ford's EV Strategy takes Shape in Search For Popularity and Profit, Sep. 3, 2019.

* cited by examiner

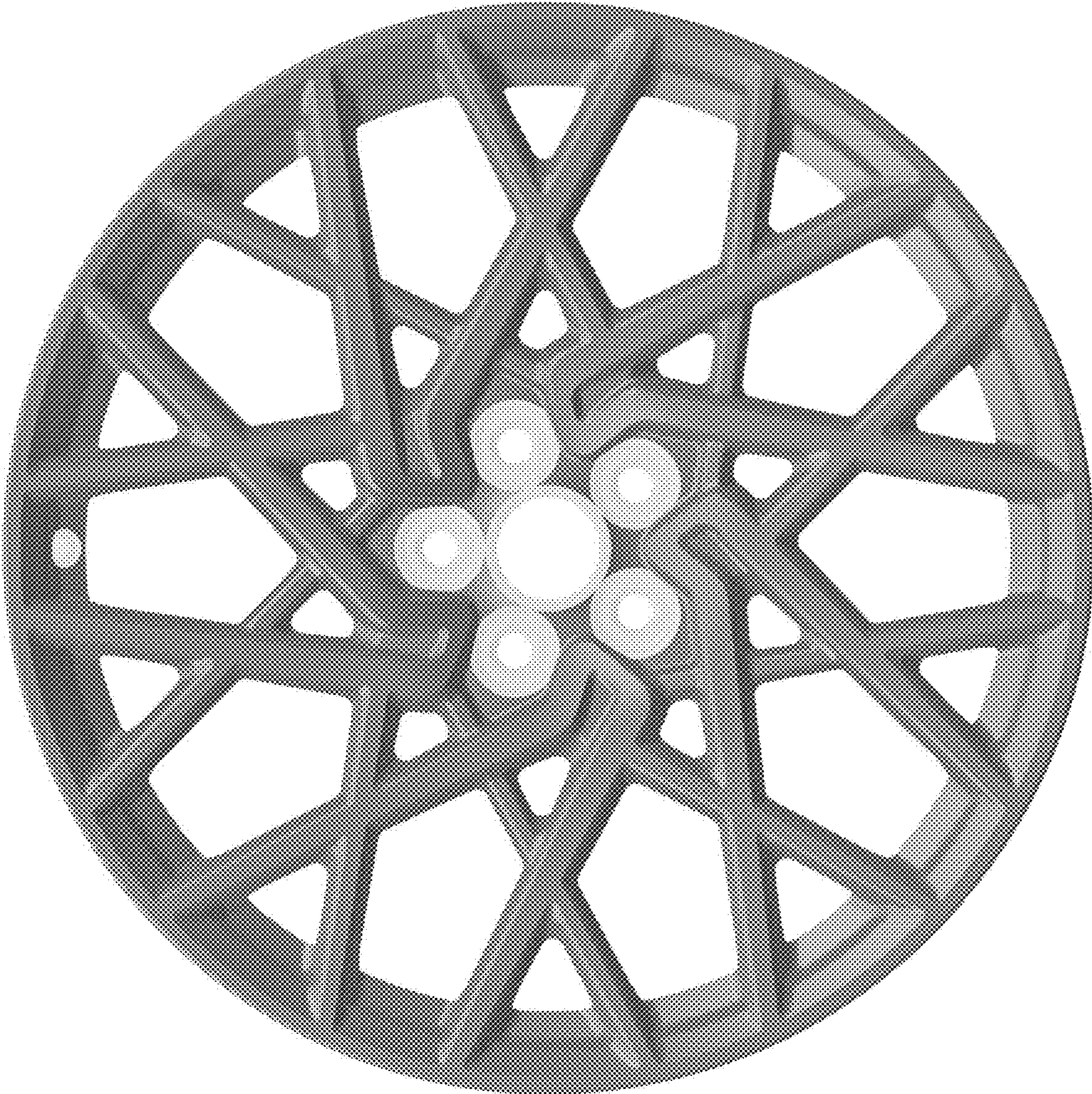


Fig. 1

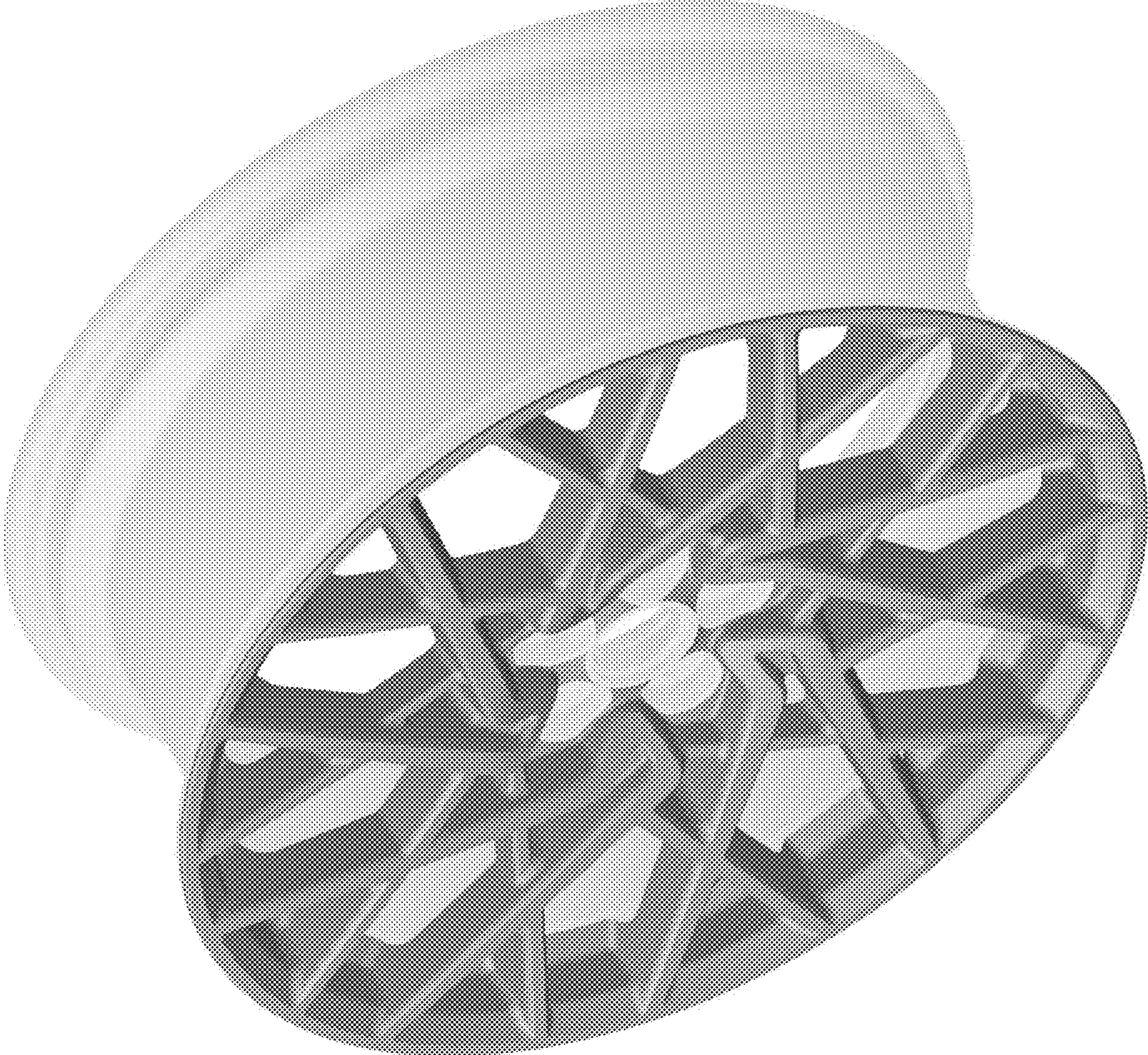


Fig. 2