



US00D911240S

(12) **United States Design Patent** (10) **Patent No.:** **US D911,240 S**
Manzoni (45) **Date of Patent:** **** Feb. 23, 2021**

- (54) **CAR BUMPER**
- (71) Applicant: **Ferrari S.p.A.**, Modena (IT)
- (72) Inventor: **Flavio Manzoni**, Maranello (IT)
- (73) Assignee: **FERRARI S.p.A.**, Modena (IT)
- (**) Term: **15 Years**
- (21) Appl. No.: **29/730,061**
- (22) Filed: **Apr. 1, 2020**

Related U.S. Application Data

- (62) Division of application No. 35/506,533, filed on Jul. 26, 2018 (U.S. filing date under 35 U.S.C. 384), and having an international filing date of Jul. 26, 2018, now Pat. No. Des. 885,256.

(30) **Foreign Application Priority Data**

Jan. 26, 2018 (EM) 004681484

- (51) **LOC (13) Cl.** **12-16**
- (52) **U.S. Cl.**
USPC **D12/196**

(58) **Field of Classification Search**

USPC D12/86, 90, 91, 92, 163, 169, 171, 196,
D12/216; D3/318
CPC B60R 19/02; B60R 19/04; B62D 25/00;
B62D 25/06; B62D 25/08; B62D 35/00
See application file for complete search history.

(56) **References Cited**

U.S. PATENT DOCUMENTS

- D528,051 S * 9/2006 Fukui D12/169
- D537,389 S * 2/2007 Beigel D12/169
- D540,722 S * 4/2007 Angelo D12/169
- D584,199 S * 1/2009 Leclercq D12/169
- D598,827 S * 8/2009 Kanai D12/169

- D626,042 S * 10/2010 Yamazaki D12/169
- D680,479 S * 4/2013 Frei D12/169
- D687,752 S * 8/2013 Fetherston D12/169
- D688,989 S * 9/2013 Minamisawa D12/169
- D702,161 S * 4/2014 Hanaoka D12/169
- D712,322 S * 9/2014 Kobayashi D12/169
- D721,305 S * 1/2015 George D12/169
- D721,306 S * 1/2015 George D12/169
- D722,926 S * 2/2015 Kato D12/169
- D723,435 S * 3/2015 Thole D12/169
- D726,602 S * 4/2015 Rupar D12/169
- D729,707 S * 5/2015 Thole D12/169
- D750,539 S * 3/2016 Iwauchi D12/169
- D762,532 S * 8/2016 Tsutamori D12/169
- D764,975 S * 8/2016 Aengenheyster D12/91
- D774,428 S * 12/2016 Davidson D12/169
- D786,149 S * 5/2017 Pevovar D12/169
- D788,657 S * 6/2017 Oohashi D12/169
- D792,815 S * 7/2017 Kozub D12/169

(Continued)

Primary Examiner — Susan Bennett Hattan

Assistant Examiner — Suzanne E Tisdell

(74) *Attorney, Agent, or Firm* — Cowan, Liebowitz & Latman, P.C.; Anastasia Zhadina

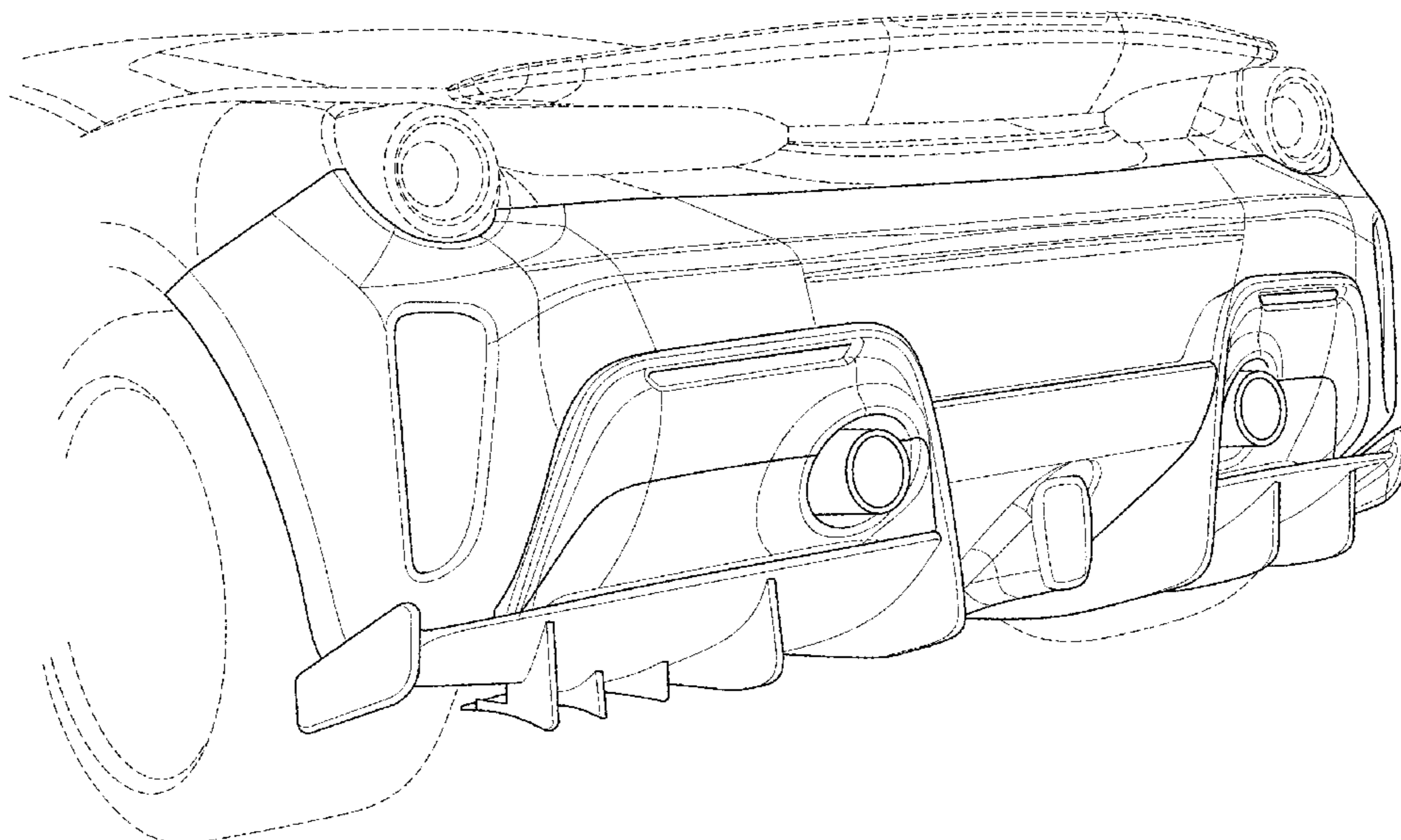
(57) **CLAIM**

I claim, the ornamental design for car bumper, as shown and described.

DESCRIPTION

FIG. 1 is a front perspective view of a car bumper;
 FIG. 2 is a rear perspective view thereof;
 FIG. 3 is a back view thereof;
 FIG. 4 is a left view thereof;
 FIG. 5 is a top view thereof;
 FIG. 6 is a bottom view thereof; and,
 FIG. 7 is an enlarged rear perspective view thereof.
 The broken lines are showing a car for the purpose of illustrating environmental subject matter and form no part of the claimed design.

1 Claim, 7 Drawing Sheets



(56)

References Cited

U.S. PATENT DOCUMENTS

D792,816	S *	7/2017	Kozub	D12/169
D793,296	S *	8/2017	Smith	D12/169
D793,921	S *	8/2017	Takamatsu	D12/169
D793,924	S *	8/2017	Sagawa	D12/169
D797,019	S *	9/2017	Yamashita	D12/169
D797,617	S *	9/2017	Mori	D12/169
D797,618	S *	9/2017	Suzuki	D12/169
D800,035	S *	10/2017	Takamatsu	D12/169
D800,614	S *	10/2017	Park	D12/169
D803,112	S *	11/2017	Tomita	D12/169
D805,449	S *	12/2017	Chung	D12/169
D807,248	S *	1/2018	Piscitelli	D12/169
D807,250	S *	1/2018	Piscitelli	D12/169
D807,252	S *	1/2018	Piscitelli	D12/169
D807,254	S *	1/2018	Piscitelli	D12/169
D807,257	S *	1/2018	Piscitelli	D12/169
D807,258	S *	1/2018	Patel	D12/169
2004/0032133	A1 *	2/2004	Bird	B60R 19/14 293/154
2006/0249961	A1 *	11/2006	Flotzinger	B60R 19/04 293/115
2006/0290169	A1 *	12/2006	Fukushima	B62D 35/00 296/180.1

* cited by examiner

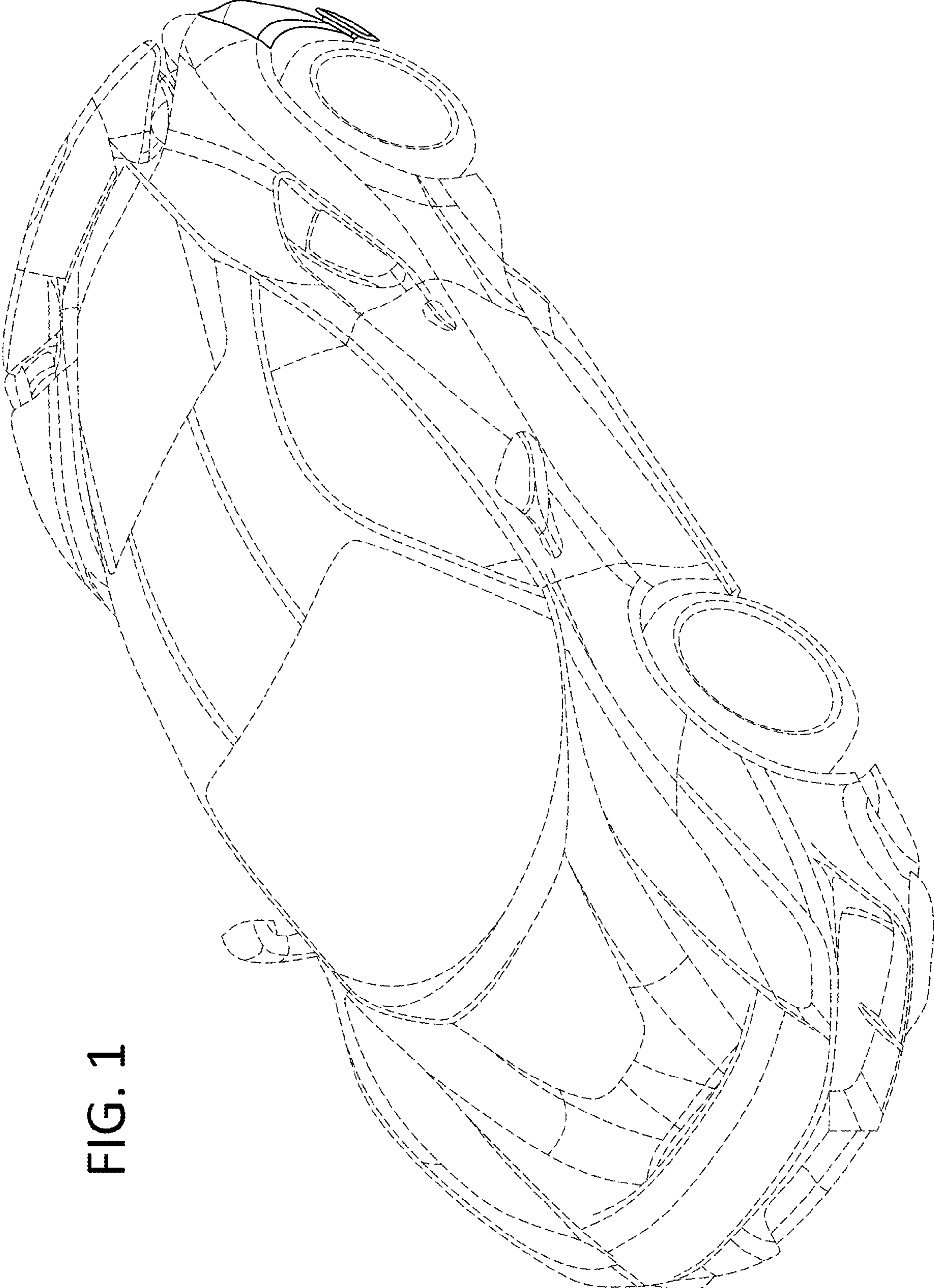


FIG. 1

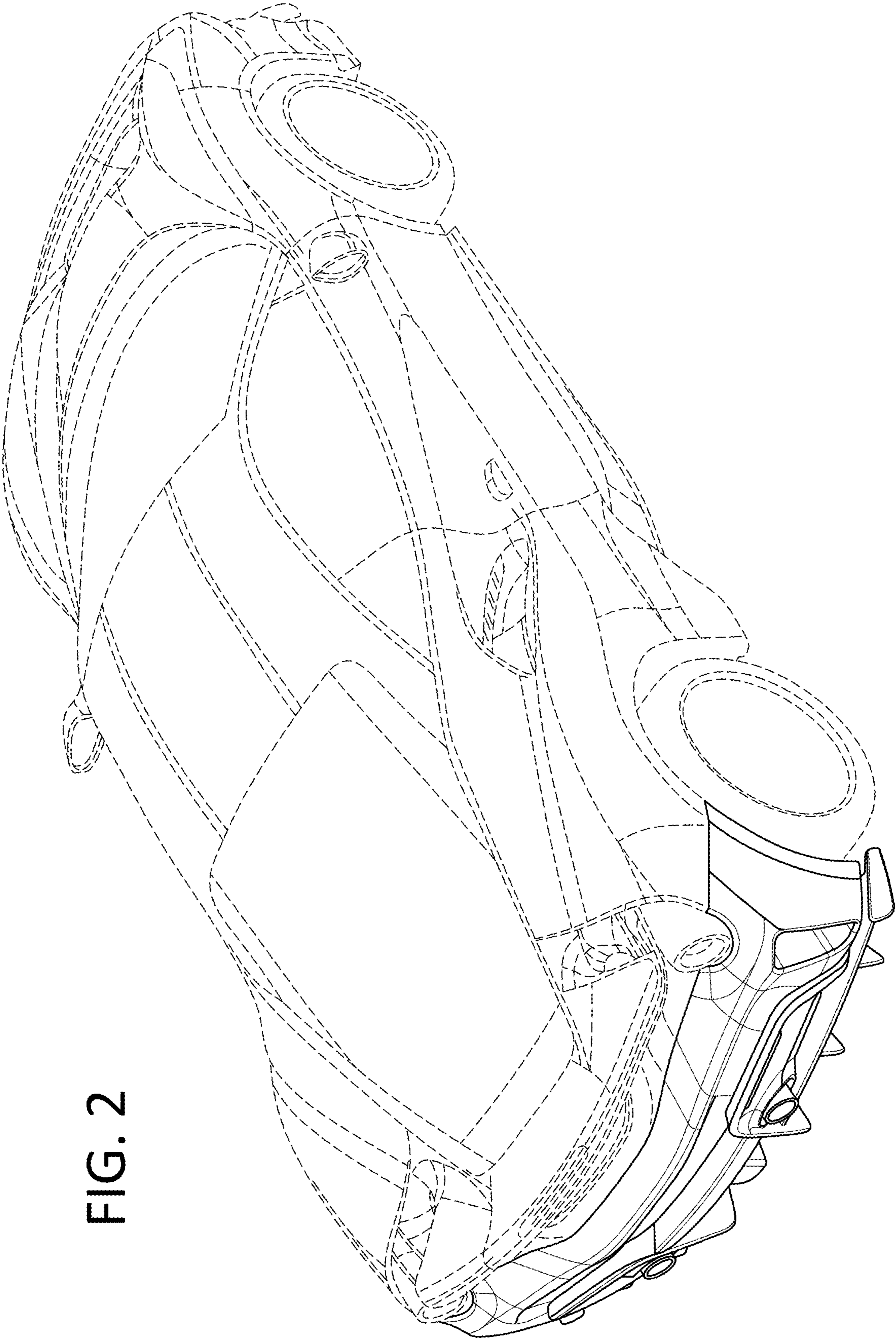


FIG. 2

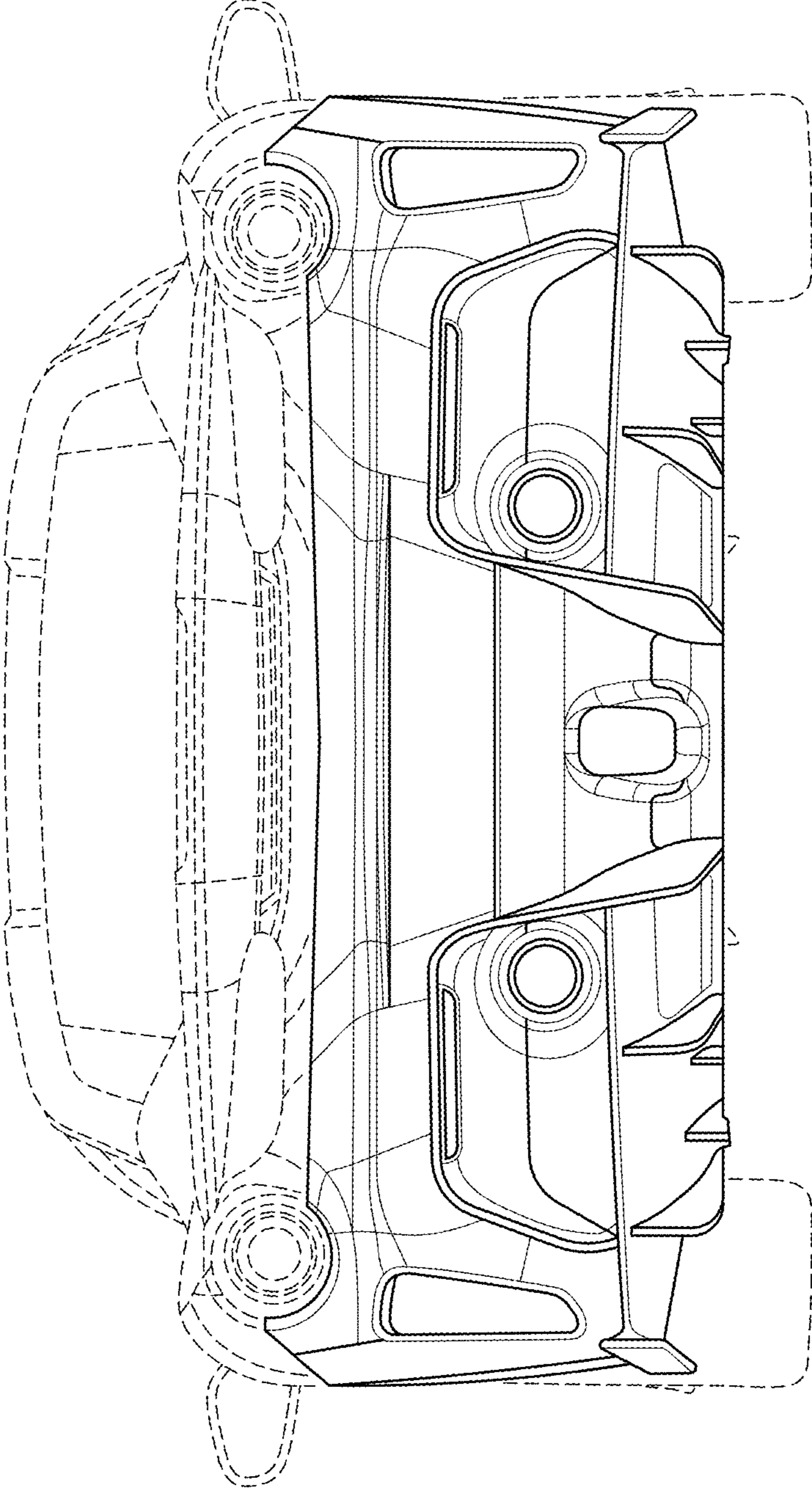


FIG. 3

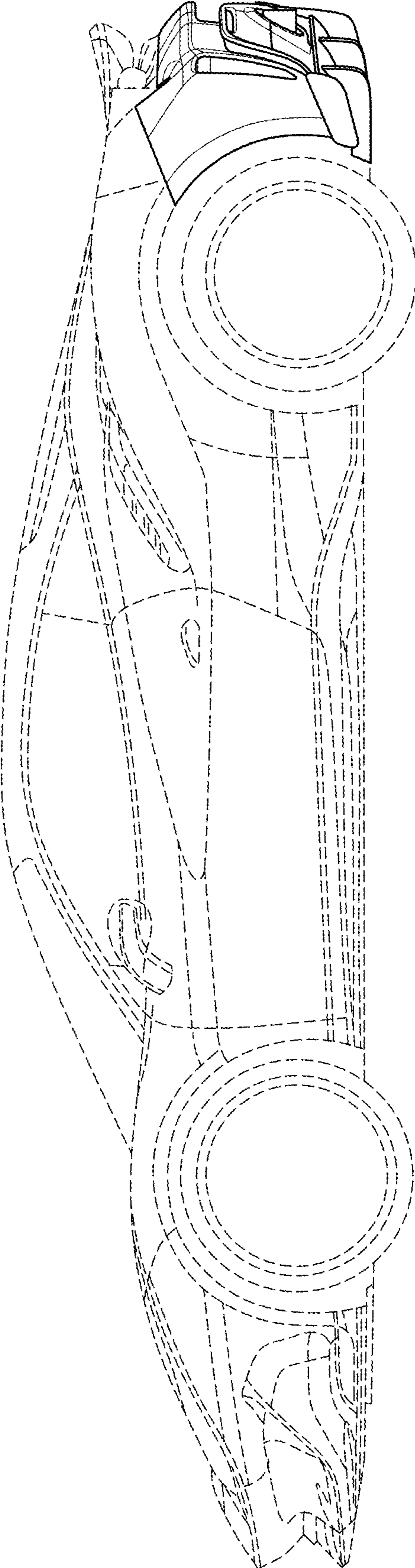


FIG. 4

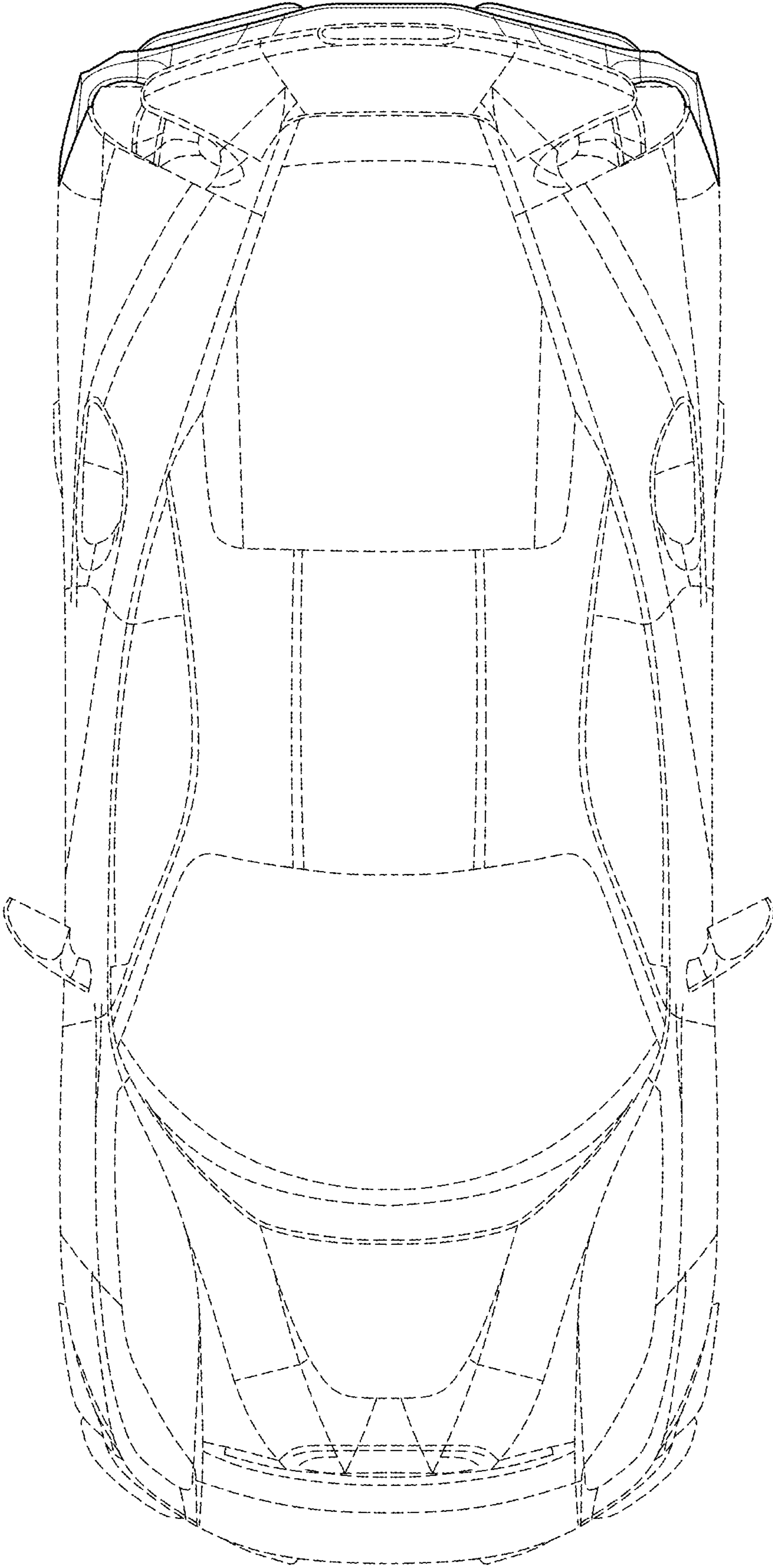


FIG. 5

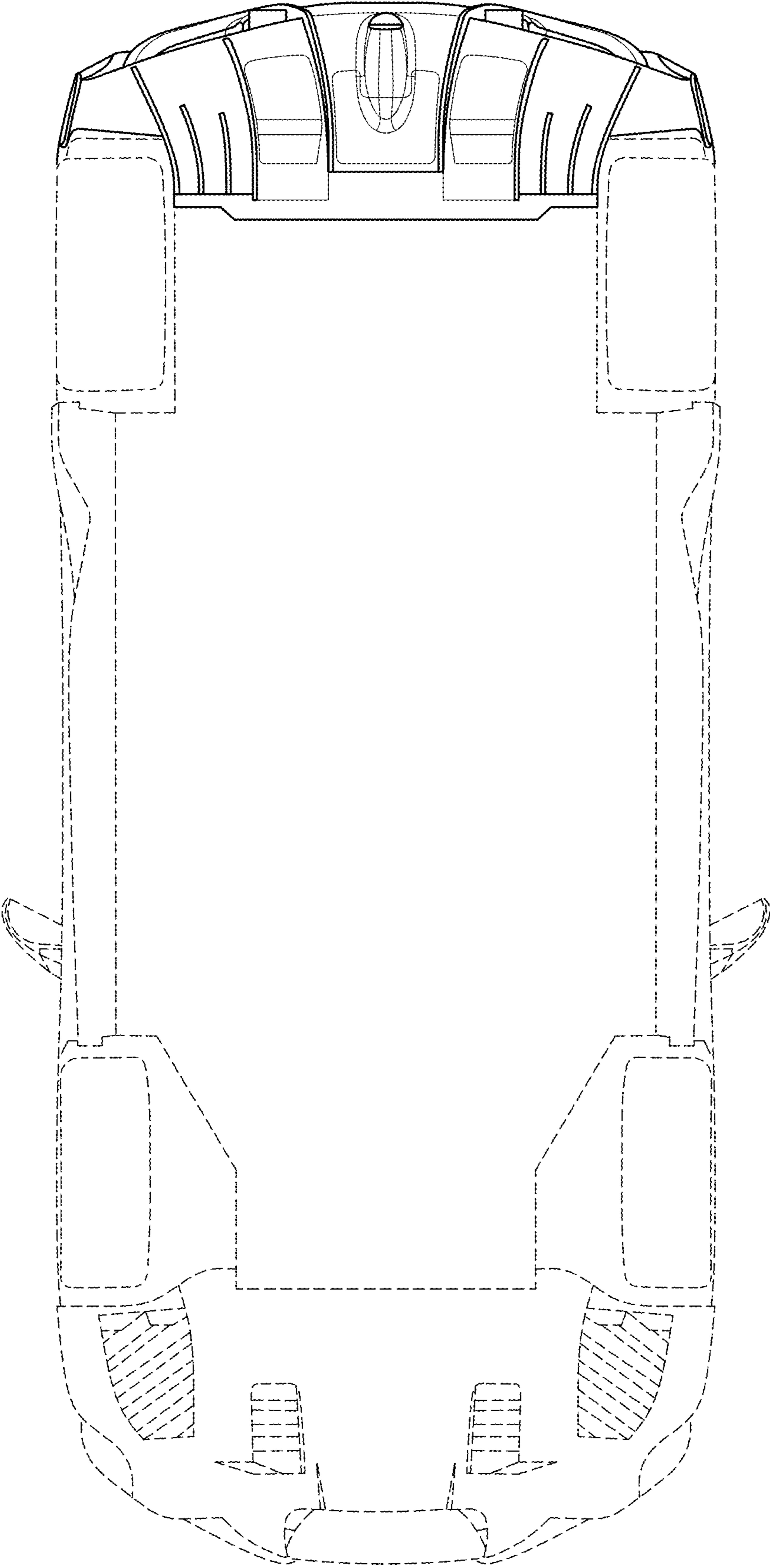


FIG. 6

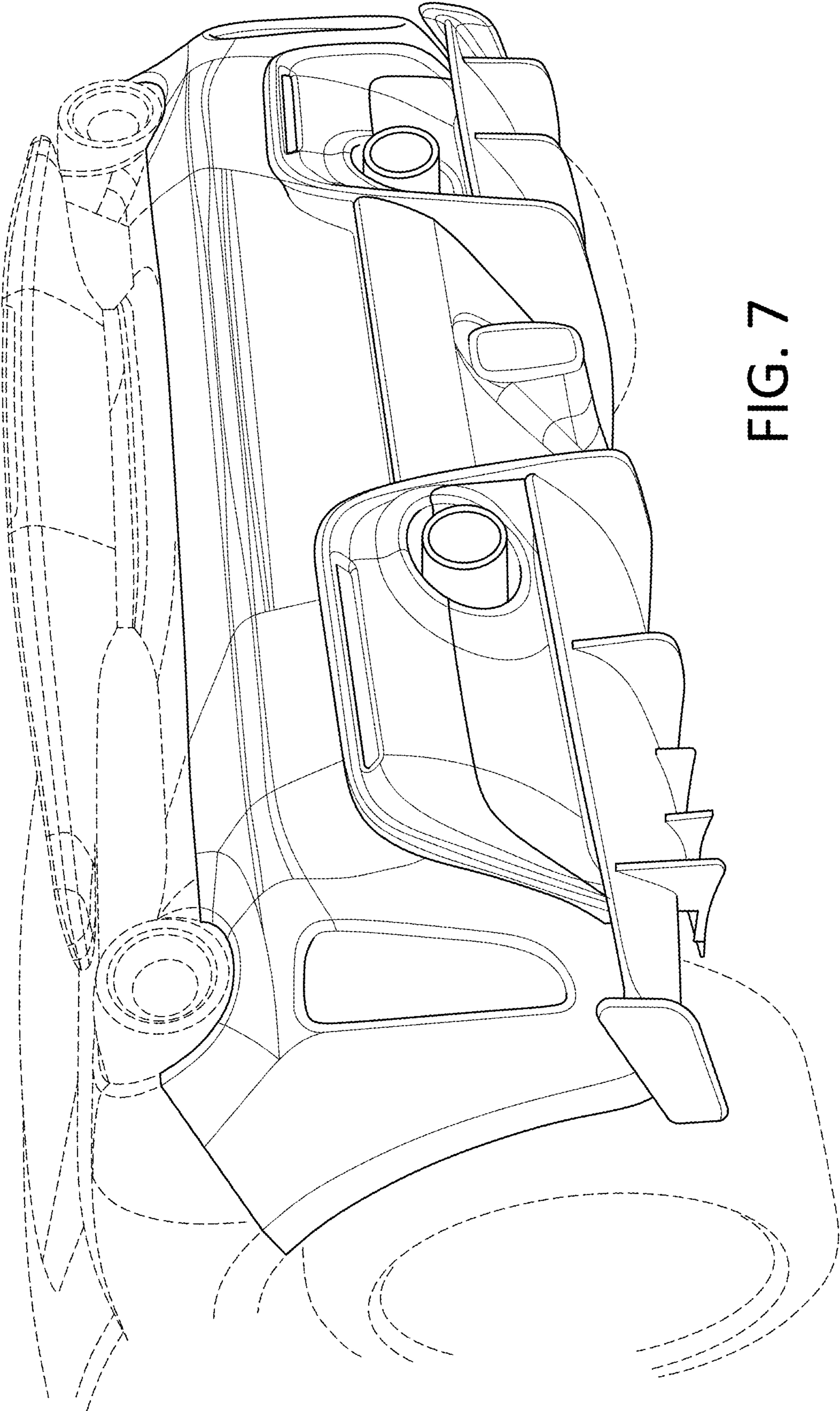


FIG. 7