



US00D911238S

(12) **United States Design Patent** (10) **Patent No.:** **US D911,238 S**  
**Feng et al.** (45) **Date of Patent:** **\*\* Feb. 23, 2021**

(54) **GRILLE ACCENT SIDE PANEL**  
(71) Applicant: **PACCAR Inc**, Bellevue, WA (US)  
(72) Inventors: **Rogers Feng**, Issaquah, WA (US);  
**Elliott Black**, Kirkland, WA (US);  
**Jonathan S. Duncan**, Seattle, WA (US)  
(73) Assignee: **PACCAR INC**, Bellevue, WA (US)  
(\*\*) Term: **15 Years**  
(21) Appl. No.: **29/678,948**  
(22) Filed: **Jan. 31, 2019**  
(51) **LOC (13) Cl.** ..... **12-16**  
(52) **U.S. Cl.**  
USPC ..... **D12/196**  
(58) **Field of Classification Search**  
USPC ..... D12/86, 90, 91, 92, 163, 169, 171, 181,  
D12/184, 196  
CPC ..... B62D 33/0617; B62D 53/0821; B60G  
2300/07; B60R 13/04; B60R 19/00; B60R  
19/52; B60R 19/54; B60R 2019/522;  
B60R 2019/525; G06F 3/048; H04L  
51/04; H04L 51/28  
See application file for complete search history.

(56) **References Cited**  
U.S. PATENT DOCUMENTS  
D647,827 S \* 11/2011 Medina ..... D12/163  
D655,226 S \* 3/2012 Hanson ..... D12/163  
D673,489 S \* 1/2013 Hanson ..... D12/196  
D710,765 S \* 8/2014 Conway ..... D12/163  
D738,274 S \* 9/2015 Hanson ..... D12/173  
D765,566 S \* 9/2016 Vena ..... D12/163  
D772,759 S \* 11/2016 Lindloff ..... D12/114  
D774,994 S \* 12/2016 Alemany ..... D12/163  
D786,742 S \* 5/2017 Ito ..... D12/163  
D802,491 S \* 11/2017 Mainville ..... D12/163  
D803,731 S \* 11/2017 Zipfel ..... D12/163  
D825,407 S \* 8/2018 Heyde ..... D12/163

(Continued)

OTHER PUBLICATIONS  
Belmor Aeroshield II Smoked Poly/ Aluminum Bug Shield. 4 state trucks.com. No date. [https://www.4statetrucks.com/hoods-body-parts/semi-truck-belmor-aeroshield-ii-smoked-poly-aluminum-bug-shield-fits-western-star-4900fa-2007-2019\\_207328.asp?gclid=EAlaQobChMI2Yi7163V6gIVAYbCh1-DQE1EAQYASABEgKAV\\_D\\_BwE.\\*](https://www.4statetrucks.com/hoods-body-parts/semi-truck-belmor-aeroshield-ii-smoked-poly-aluminum-bug-shield-fits-western-star-4900fa-2007-2019_207328.asp?gclid=EAlaQobChMI2Yi7163V6gIVAYbCh1-DQE1EAQYASABEgKAV_D_BwE.*)

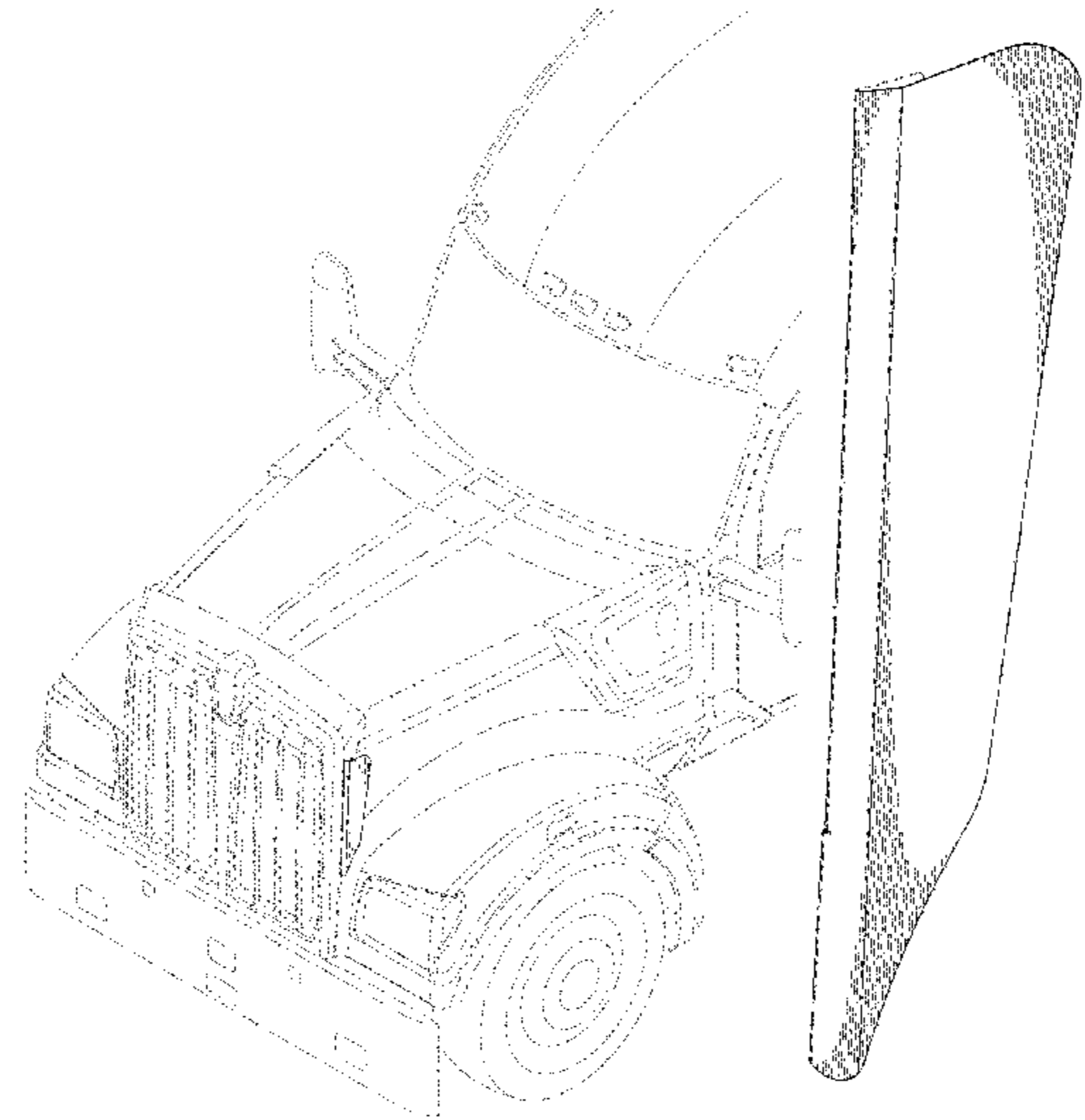
(Continued)

*Primary Examiner* — Janice Hallmark  
*Assistant Examiner* — Suzanne E Tisdell  
(74) *Attorney, Agent, or Firm* — Seed IP Law Group LLP

(57) **CLAIM**  
The ornamental design for a grille accent side panel, as shown and described.

**DESCRIPTION**  
FIG. 1 is a perspective view of a grille accent side panel showing a first embodiment of our new design in the environment of a vehicle;  
FIG. 2 is a front perspective view of the grille accent side panel shown in FIG. 1;  
FIG. 3 is a front view thereof;  
FIG. 4 is a top view thereof;  
FIG. 5 is a left side view thereof.  
FIG. 6 is a perspective view of a grille accent side panel showing a second embodiment of our new design in the environment of a vehicle; which is a mirror image of the grille accent side panel shown in FIGS. 1-5;  
FIG. 7 is a front perspective view of the grille accent side panel shown in FIG. 6;  
FIG. 8 is a front view thereof;  
FIG. 9 is a top view thereof; and,  
FIG. 10 is a left side view thereof.  
The broken lines shown in FIG. 1 and FIG. 6, illustrate environmental subject matter that forms no part of the claimed design. The broken lines in FIGS. 2, 4, 5, 7, 9 and 10, illustrate portions of the grille accent side panel that form no part of the claimed design.

**1 Claim, 6 Drawing Sheets**



(56)

**References Cited**

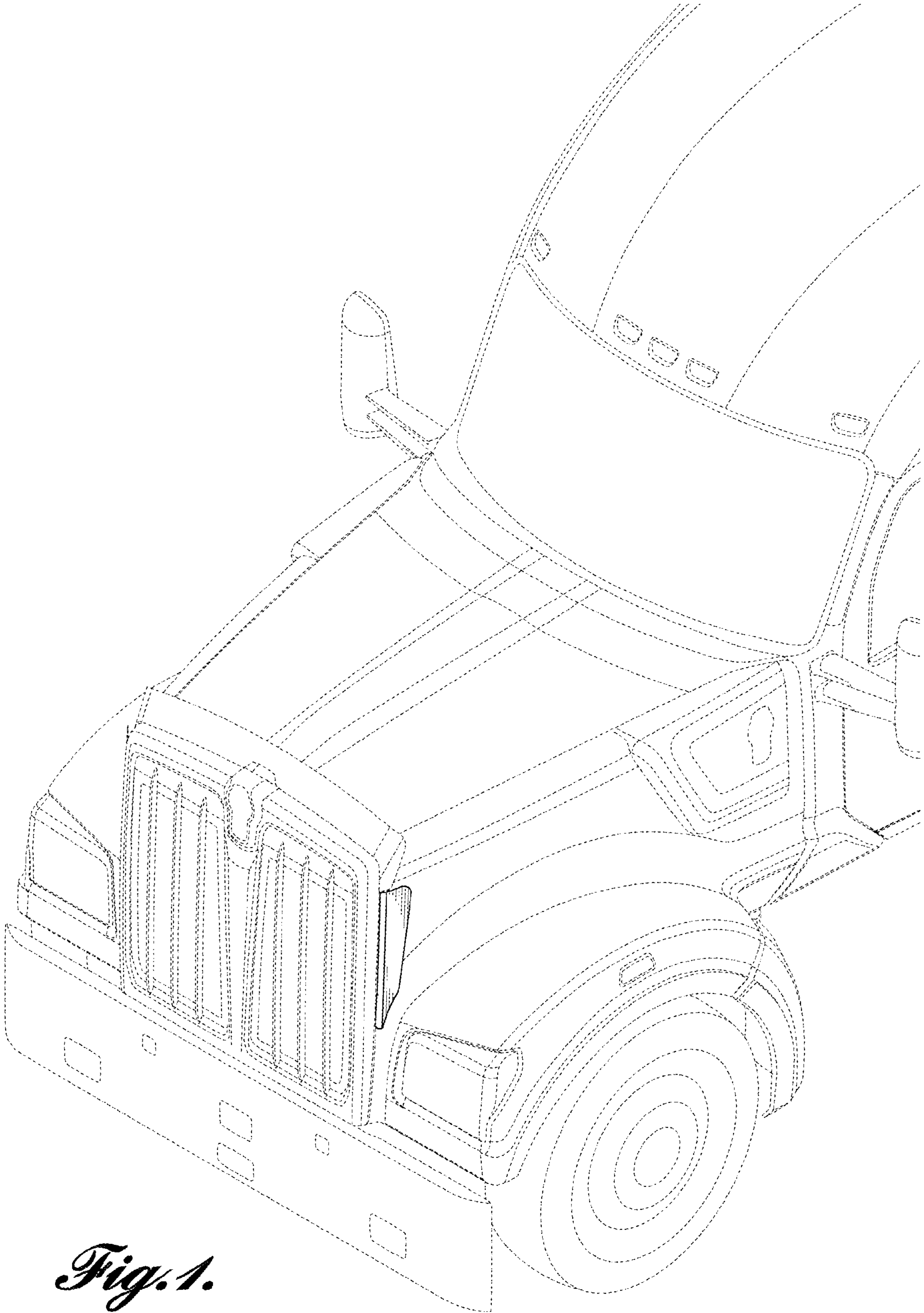
U.S. PATENT DOCUMENTS

D830,242	S	*	10/2018	Zipfel	.....	D12/163
D835,011	S	*	12/2018	Peltola	.....	D12/163
D845,184	S	*	4/2019	Zipfel	.....	D12/163
D859,233	S	*	9/2019	Izard	.....	D12/163
D863,129	S	*	10/2019	Zipfel	.....	D12/163
D864,053	S	*	10/2019	Zipfel	.....	D12/163
D869,351	S	*	12/2019	Duncan	.....	D12/163
D869,352	S	*	12/2019	Duncan	.....	D12/163
D873,726	S	*	1/2020	Zipfel	.....	D12/163
D885,260	S	*	5/2020	Peltola	.....	D12/163
D885,261	S	*	5/2020	Zipfel	.....	D12/163
D885,264	S	*	5/2020	Lenz, Jr.	.....	D12/164
2009/0085361	A1	*	4/2009	Rosen	.....	B60R 13/04 293/120

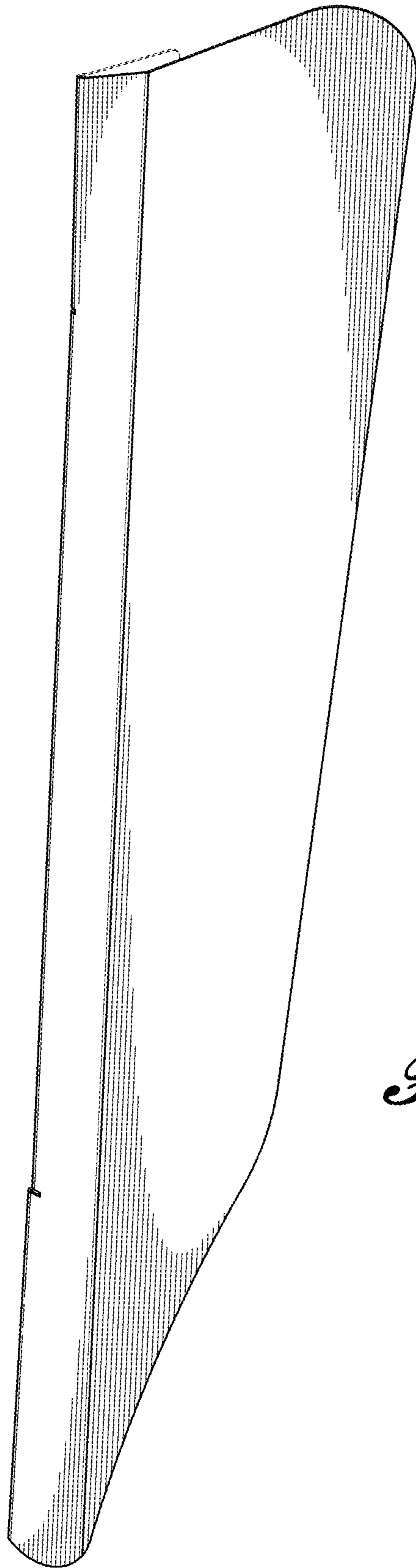
OTHER PUBLICATIONS

Volvo VNL Side Cab Extension—Fairing Air Deflector. Ebay.  
[https://www.ebay.com/i/182670791226?chn=ps&norover=1&mkevt=1&mkrid=711-117182-37290-0&mkcid=2&itemid=182670791226&targetid=915850255573&device=c&mktype=pla&googleloc=9009649&poi=&campaignid=10454521601&mkgroupid=104612011660&rlsatarget=pla-915850255573&ab.\\*](https://www.ebay.com/i/182670791226?chn=ps&norover=1&mkevt=1&mkrid=711-117182-37290-0&mkcid=2&itemid=182670791226&targetid=915850255573&device=c&mktype=pla&googleloc=9009649&poi=&campaignid=10454521601&mkgroupid=104612011660&rlsatarget=pla-915850255573&ab.*)

\* cited by examiner

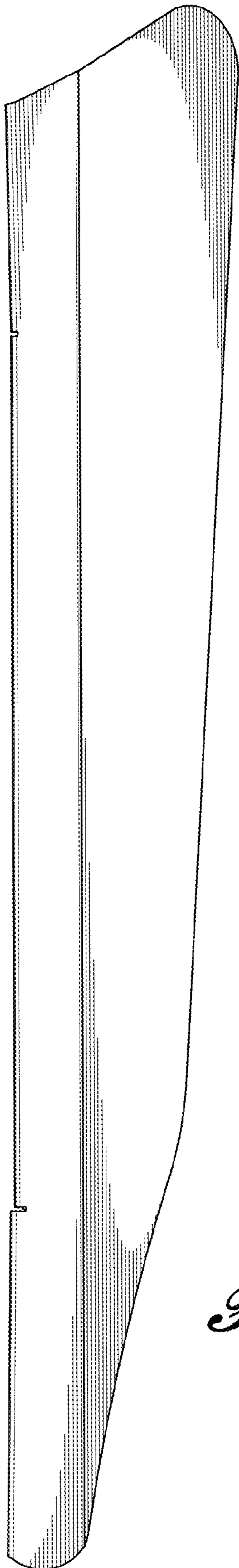


*Fig. 1.*

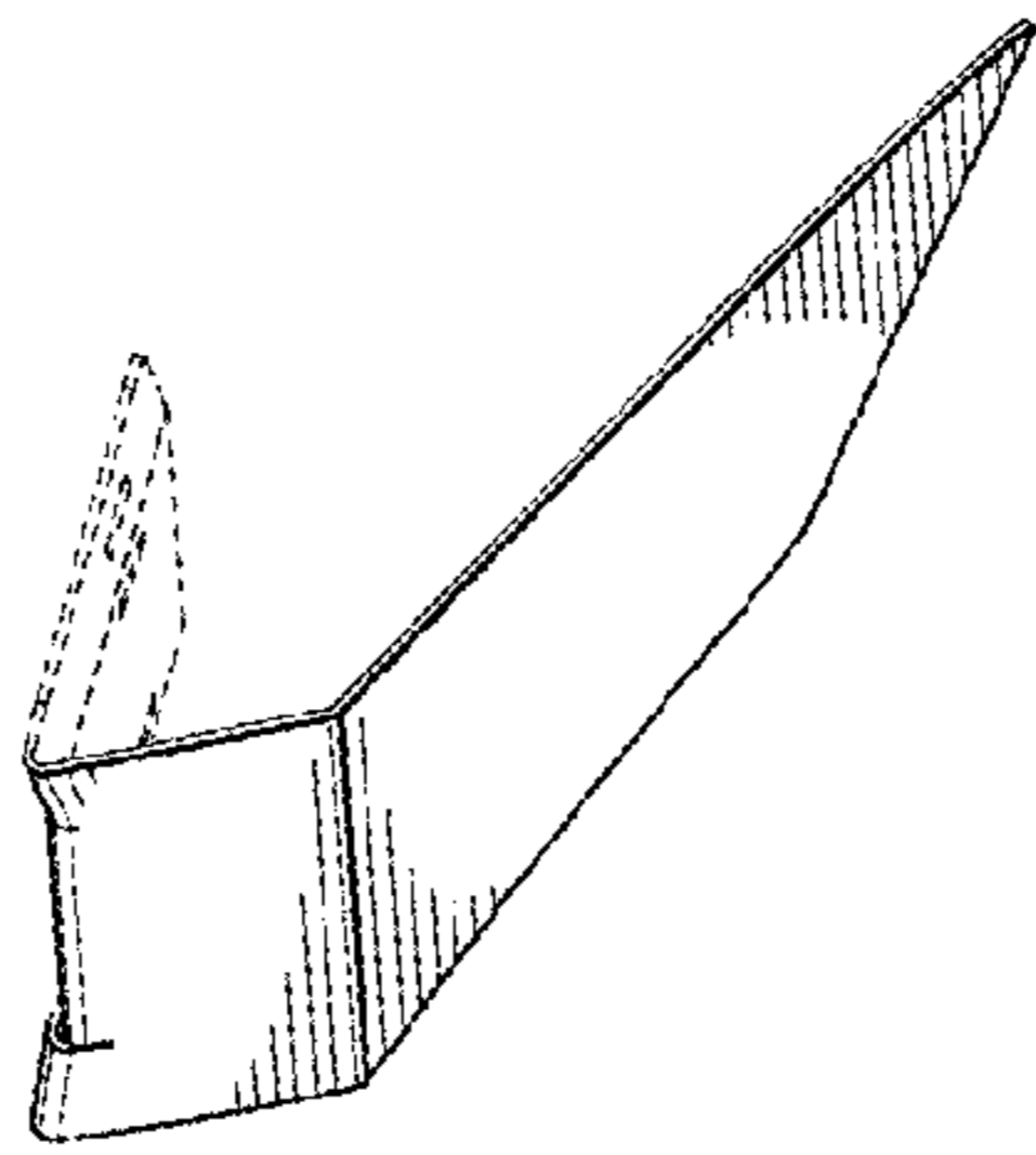


*Fig. 2.*

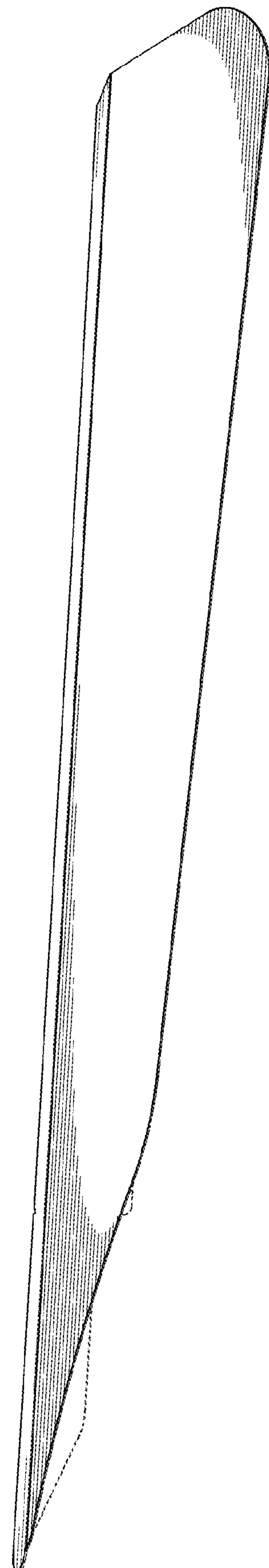




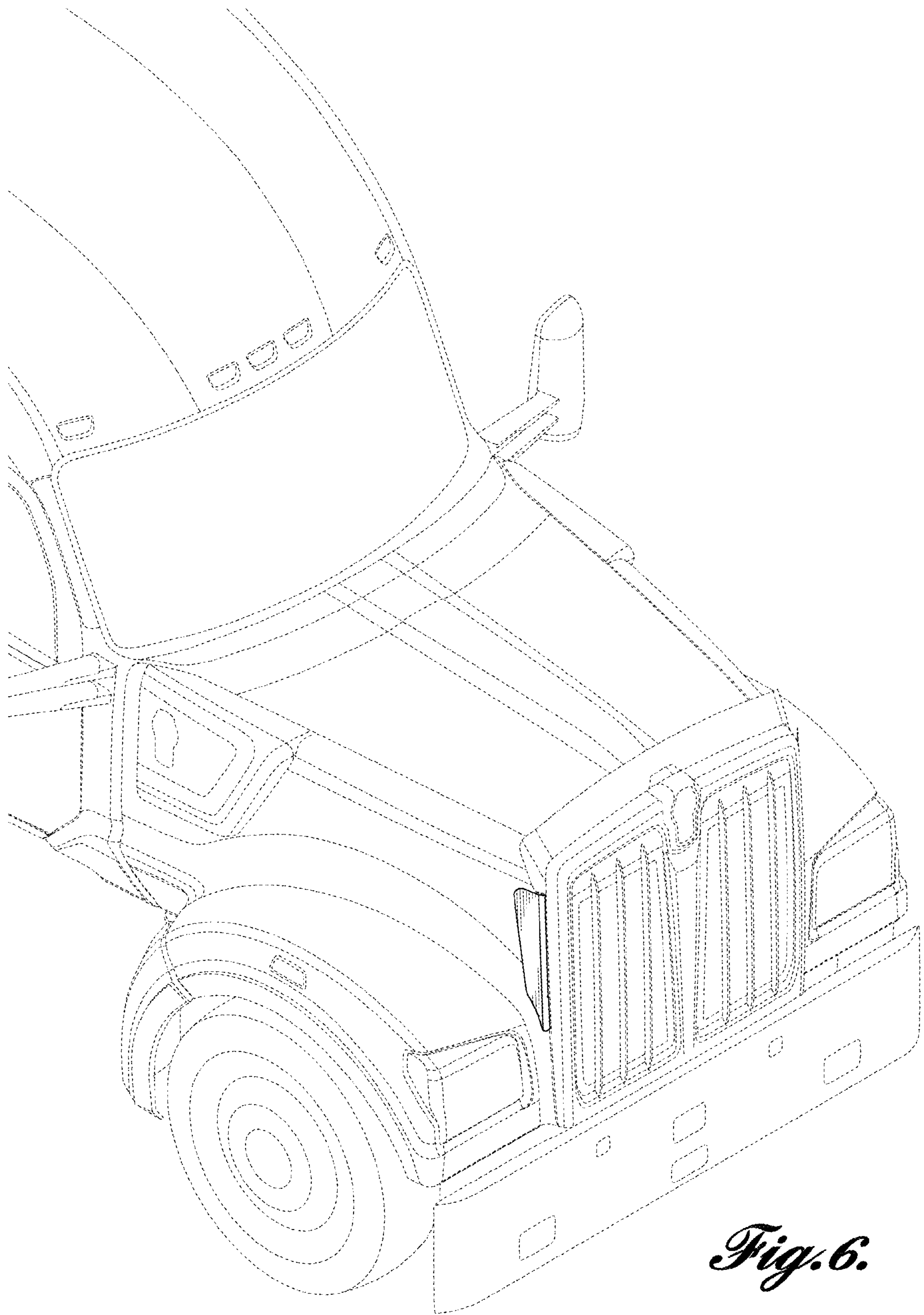
*Fig. 3.*



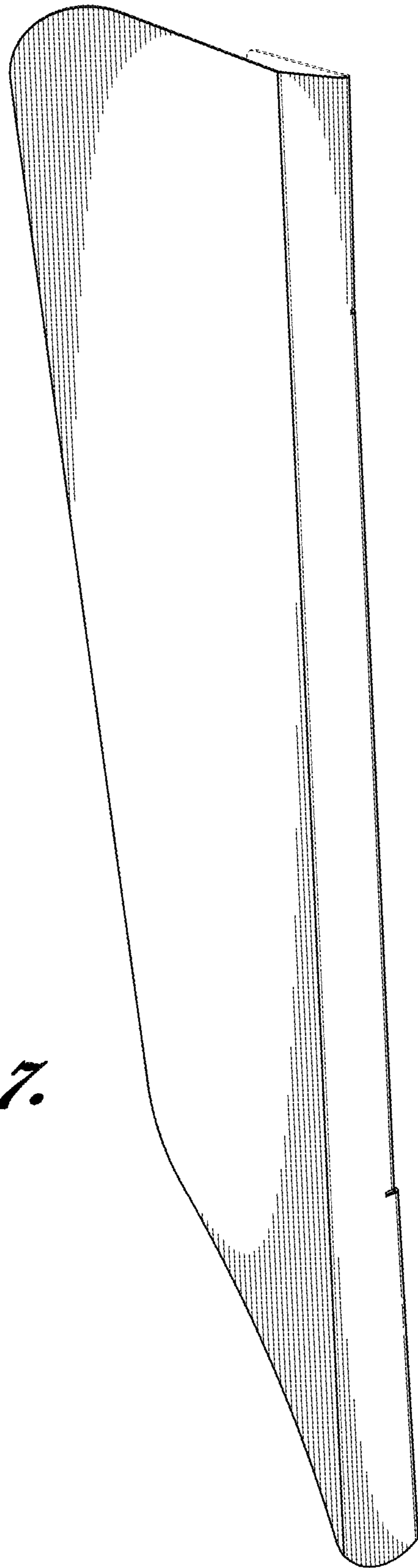
*Fig. 4.*



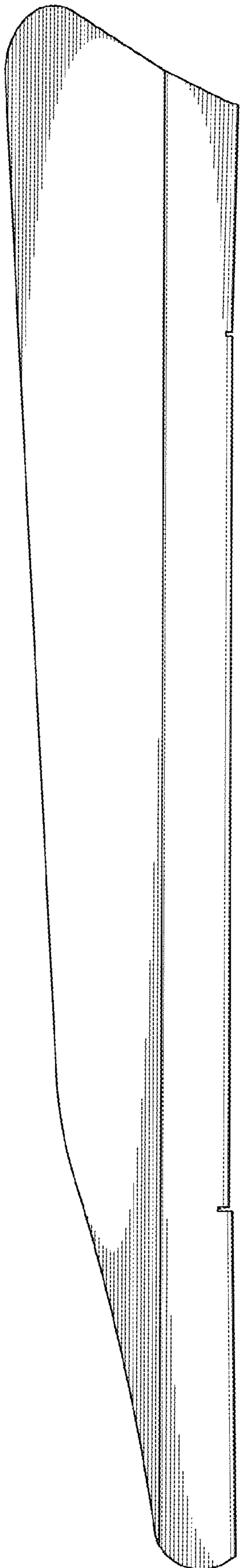
*Fig. 5.*



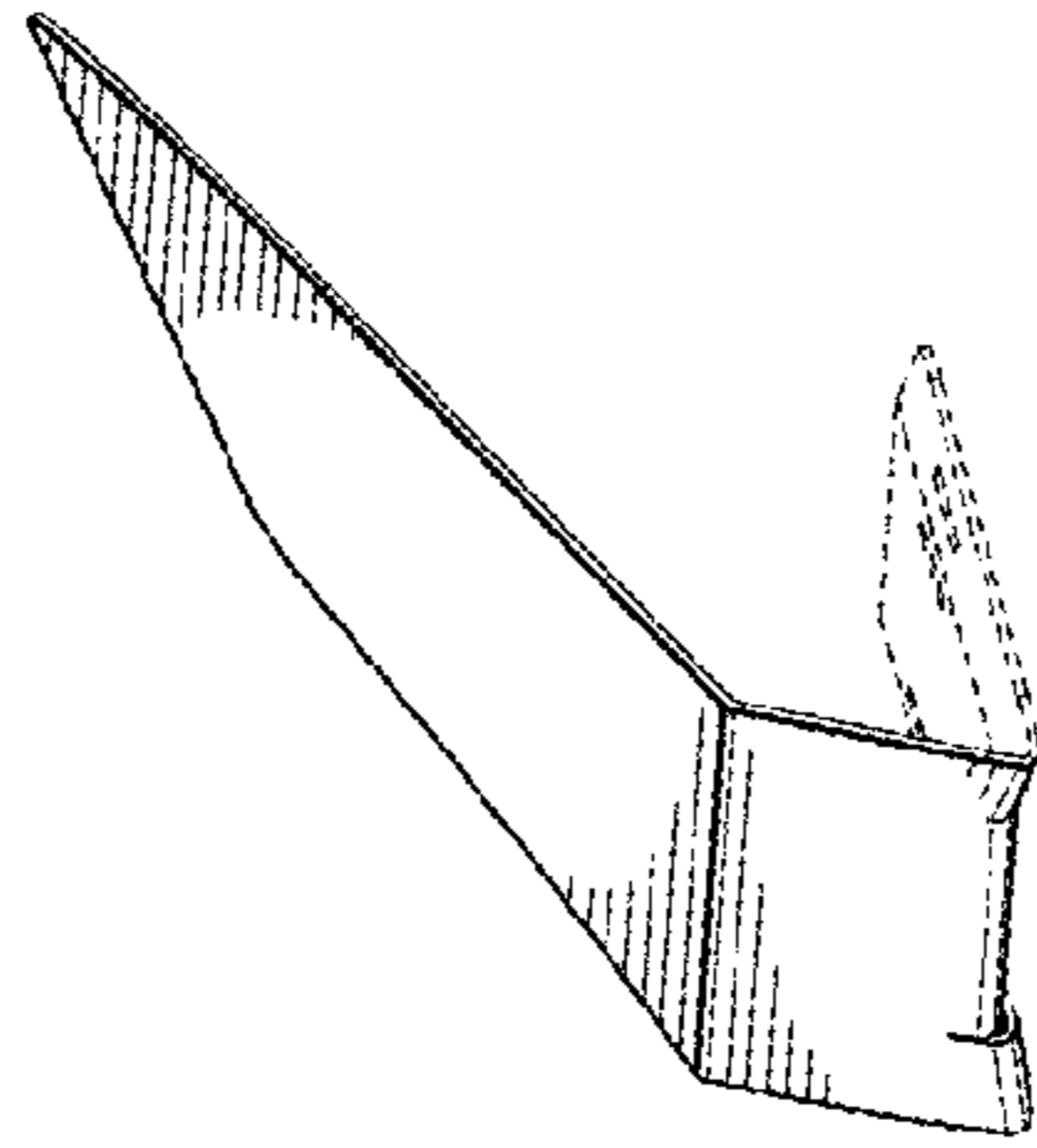
*Fig. 6.*



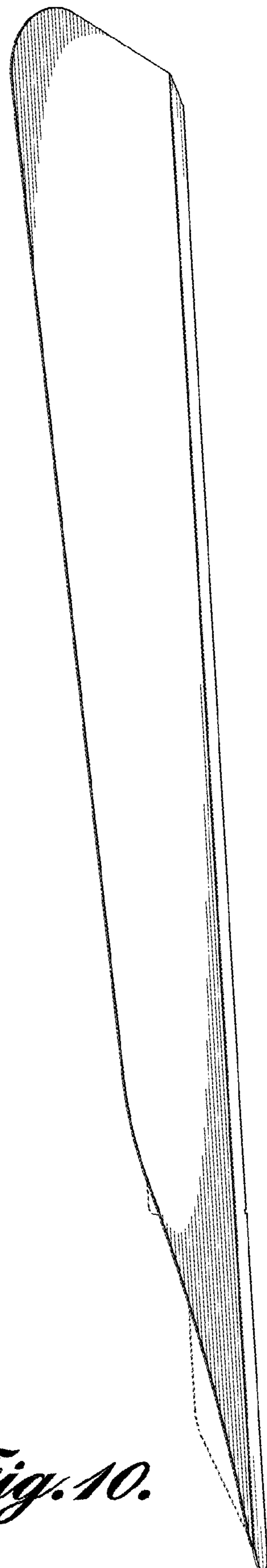
*Fig. 7.*



*Fig. 8.*



*Fig. 9.*



*Fig. 10.*