



US00D911231S

(12) **United States Design Patent** (10) **Patent No.:** **US D911,231 S**
Bucher et al. (45) **Date of Patent:** **** Feb. 23, 2021**

(54) **VEHICLE FRONT UPPER BUMPER COVER**

(56) **References Cited**

(71) Applicant: **Ford Global Technologies, LLC**,
Dearborn, MI (US)
(72) Inventors: **George Bucher**, Dearborn, MI (US);
Craig S. Metros, Bloomfield, MI (US);
Dean Carbis, Bloomfield Hills, MI
(US); **Steven Gilmore**, Farmington
Hills, MI (US); **Shawn Sung Yu**,
Canton, MI (US)
(73) Assignee: **Ford Global Technologies, LLC**,
Dearborn, MI (US)
(**) Term: **15 Years**

U.S. PATENT DOCUMENTS

D733,624 S *	7/2015	Morikawa	D12/169
D737,738 S *	9/2015	Nordmann	D12/169
D738,270 S *	9/2015	Blanski	D12/169
D750,000 S *	2/2016	Han	D12/169
D760,631 S *	7/2016	Choi	D12/169
D761,693 S *	7/2016	Lian	D12/91
D770,950 S *	11/2016	Bucher	D12/169
D784,867 S *	4/2017	Sahara	D12/169
D800,615 S *	10/2017	Park	D12/169
D801,886 S *	11/2017	Toriyama	D12/169
D826,110 S *	8/2018	Kanai	D12/169
D839,153 S *	1/2019	Wada	D12/169
D844,506 S *	4/2019	Morikawa	D12/169
D877,668 S *	3/2020	Bucher	D12/169
D881,088 S *	4/2020	Davidson	D12/169

* cited by examiner

Primary Examiner — Melody N Brown

(21) Appl. No.: **29/727,337**

(22) Filed: **Mar. 10, 2020**

(57) **CLAIM**

The ornamental design for a vehicle front upper bumper cover, as shown and described.

Related U.S. Application Data

(63) Continuation of application No. 29/632,001, filed on
Jan. 4, 2018, now Pat. No. Des. 877,668.

(51) **LOC (13) Cl.** **12-16**

(52) **U.S. Cl.**
USPC **D12/169**

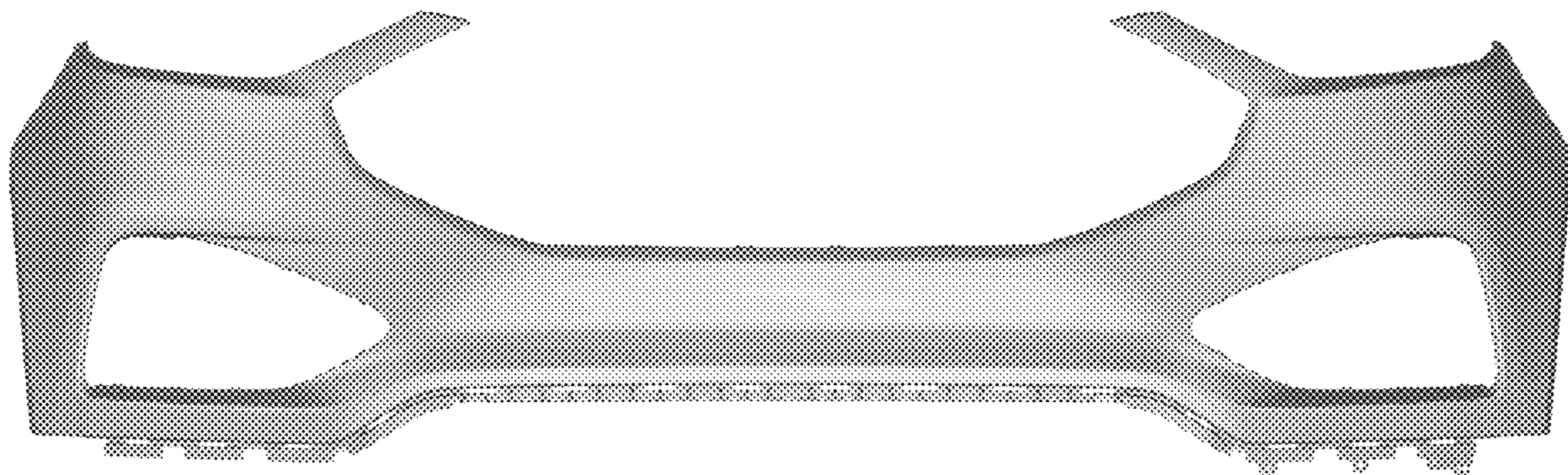
(58) **Field of Classification Search**
USPC D12/169, 196, 86, 90-92, 163, 190, 98,
D12/164; 293/102, 113, 115, 117, 120,
293/193.11; 296/180.1, 180.2; 180/68.1,
180/68.6
CPC B60R 19/52; B60K 11/08; B62D 25/08;
B62B 9/16

See application file for complete search history.

DESCRIPTION

FIG. 1 is a front elevational view of a vehicle front upper bumper cover, showing our new design;
FIG. 2 is a rear elevational view thereof;
FIG. 3 is a left side elevational view thereof;
FIG. 4 is a right side elevational view thereof;
FIG. 5 is a top plan view thereof;
FIG. 6 is a bottom plan view thereof;
FIG. 7 is a top, front and left side perspective view thereof;
FIG. 8 is a bottom, front, and left side perspective view thereof; and,
FIG. 9 is a top, rear, and left side perspective view thereof.

1 Claim, 9 Drawing Sheets



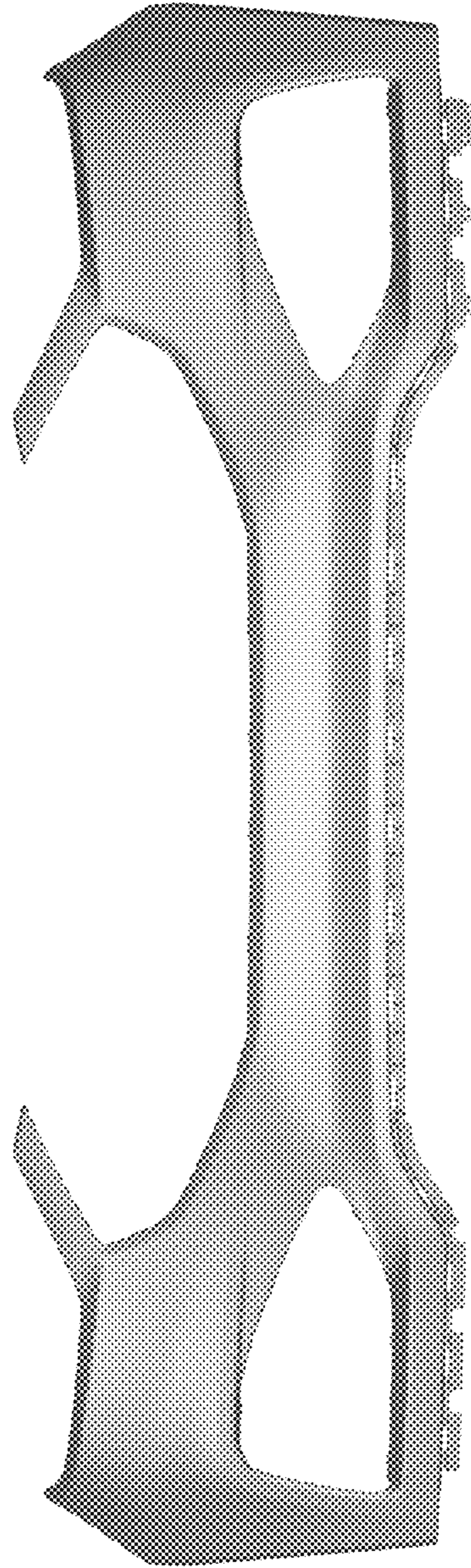


Fig. 1

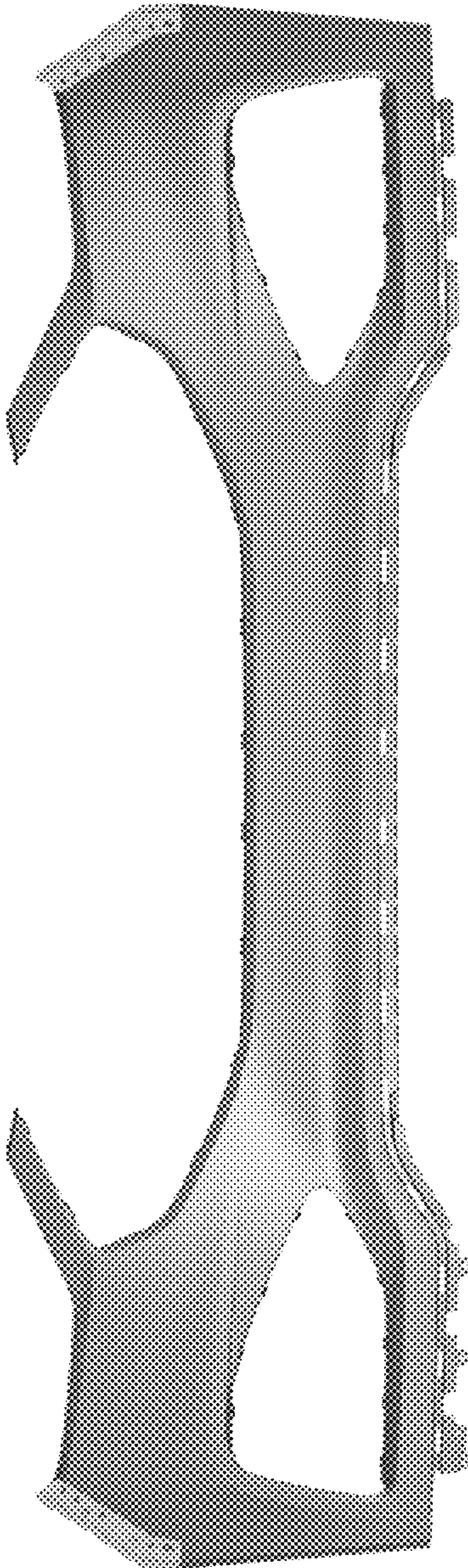


Fig. 2

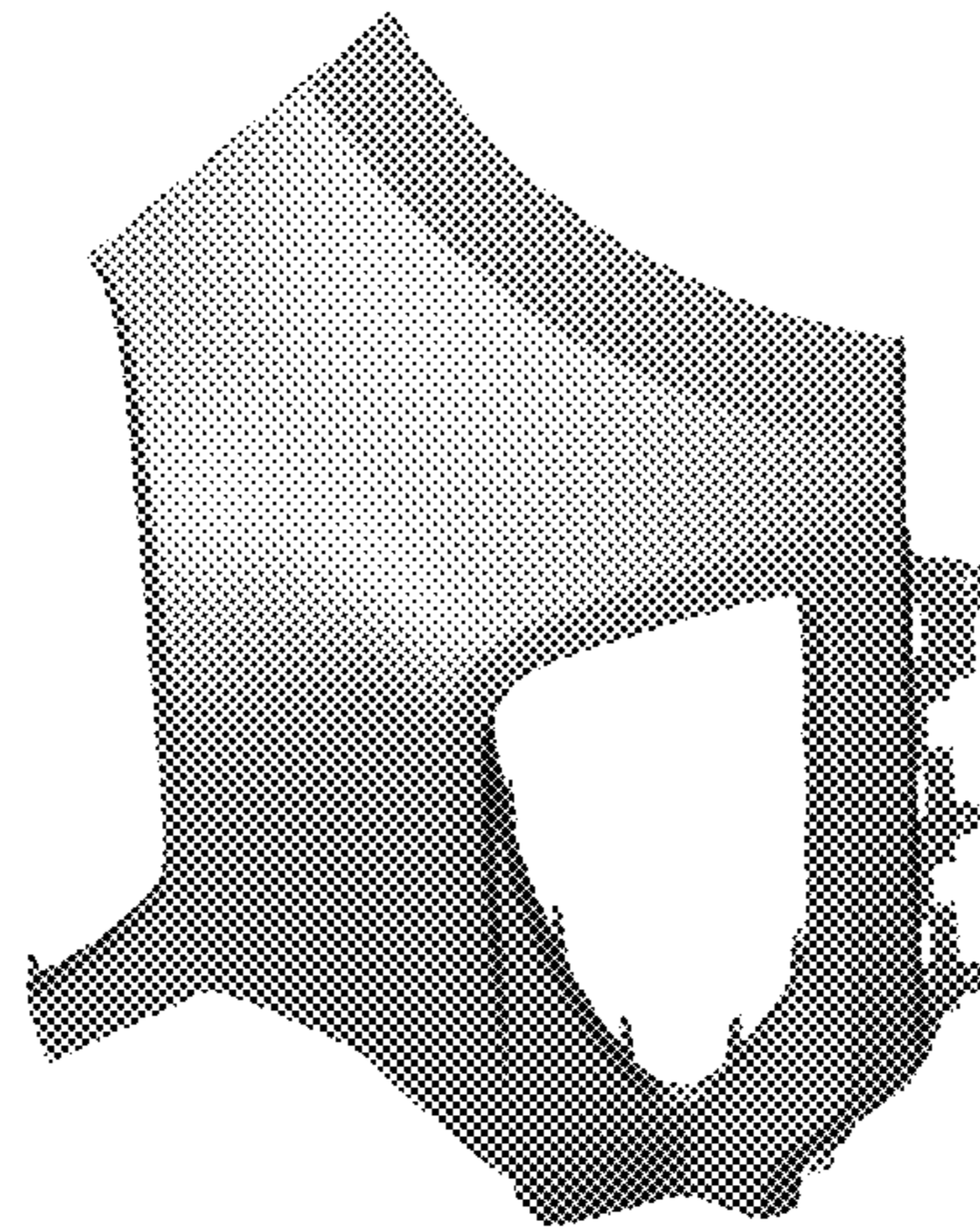


Fig. 3

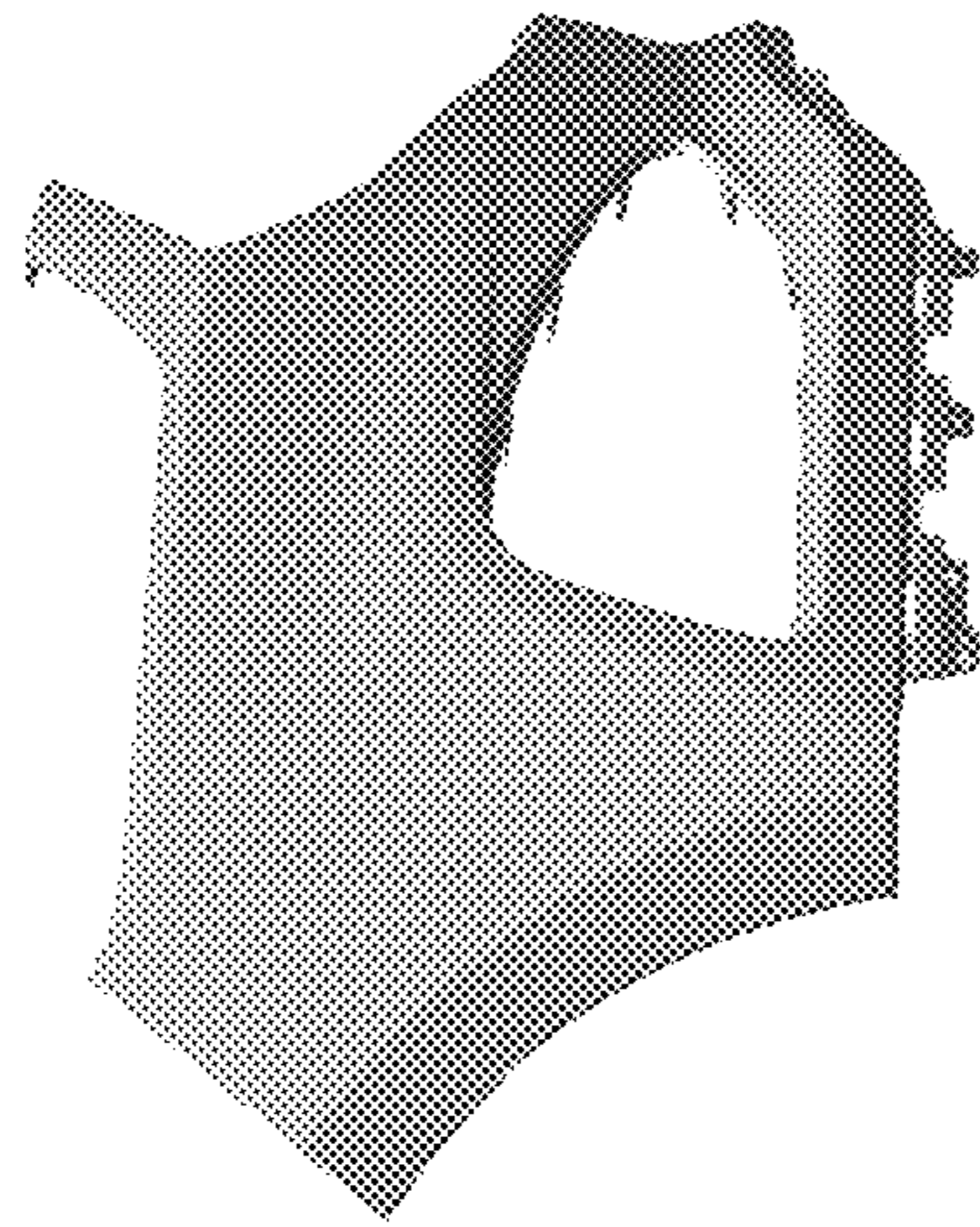


Fig. 4

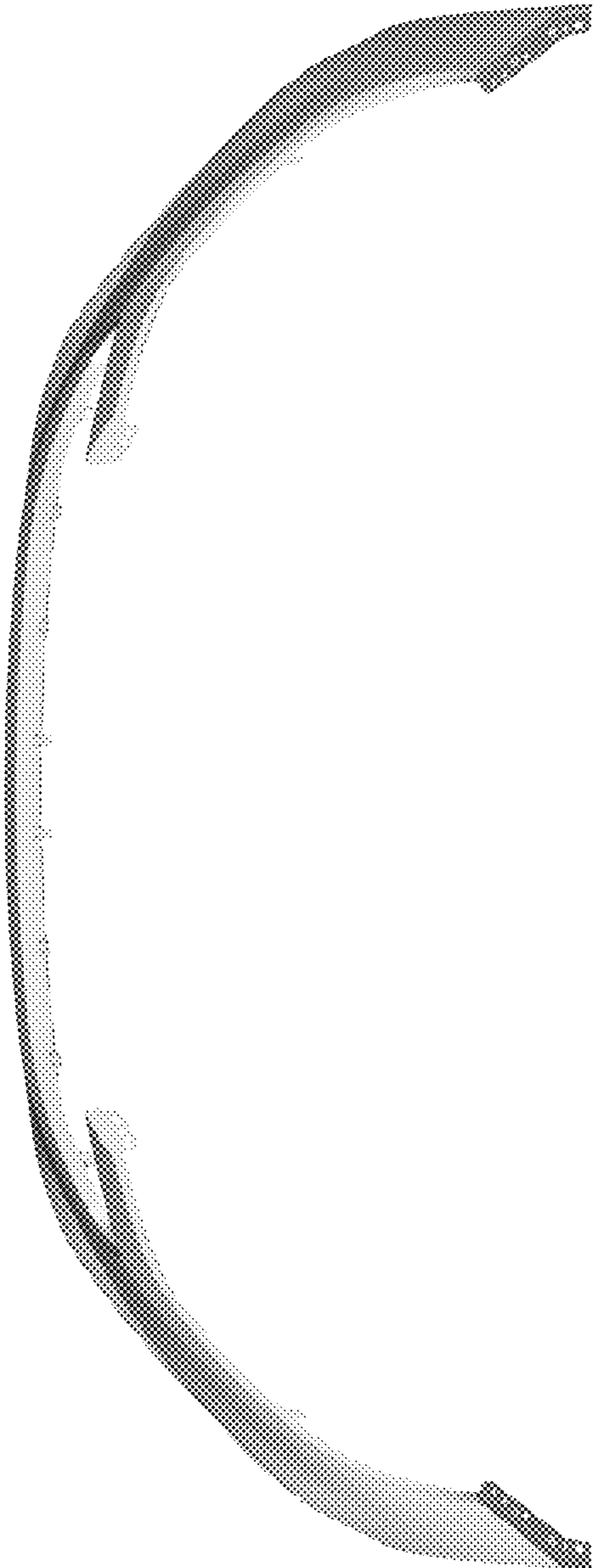


Fig. 5

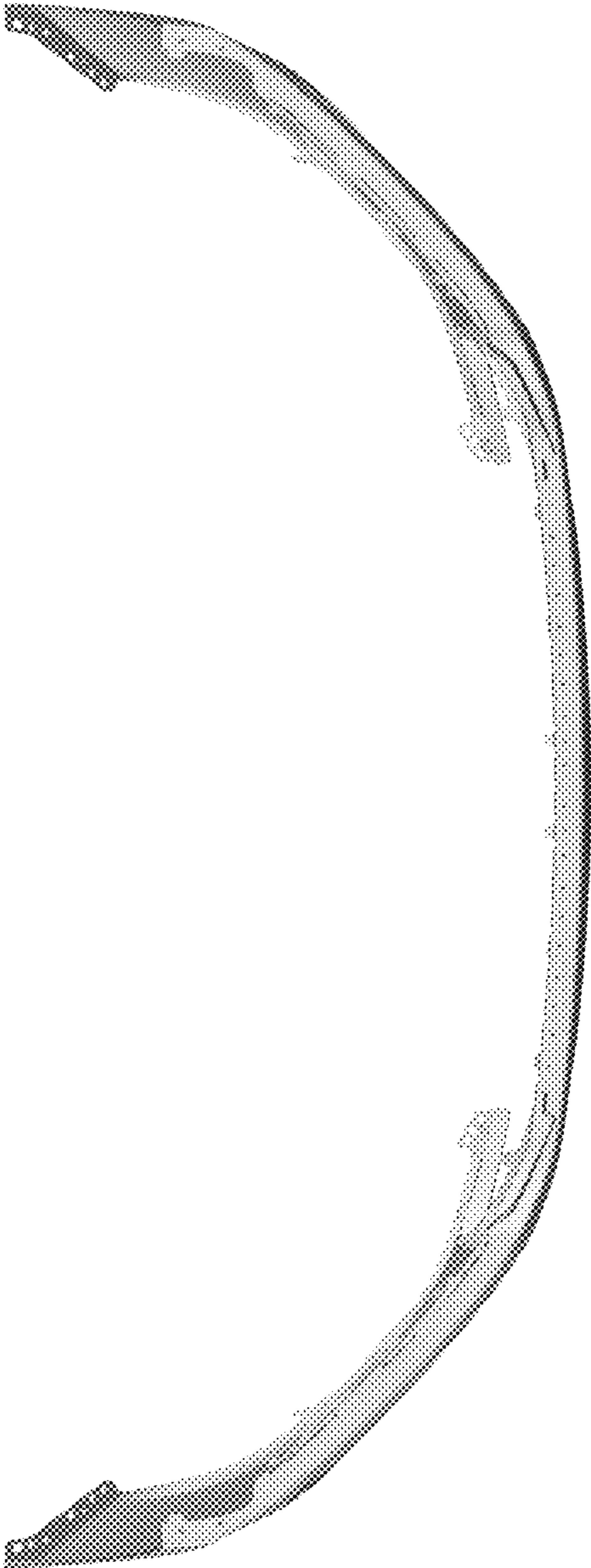


Fig. 6

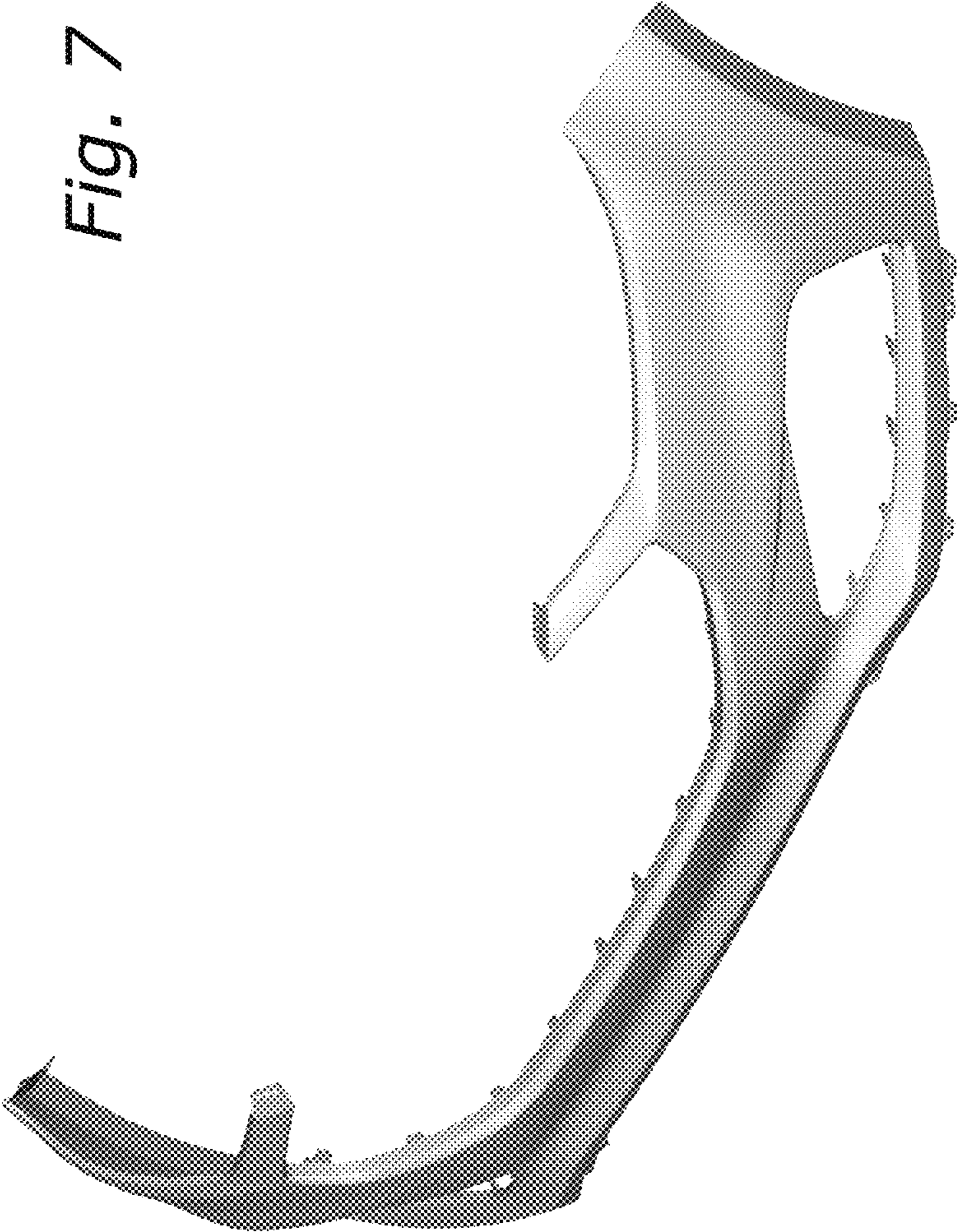


Fig. 7

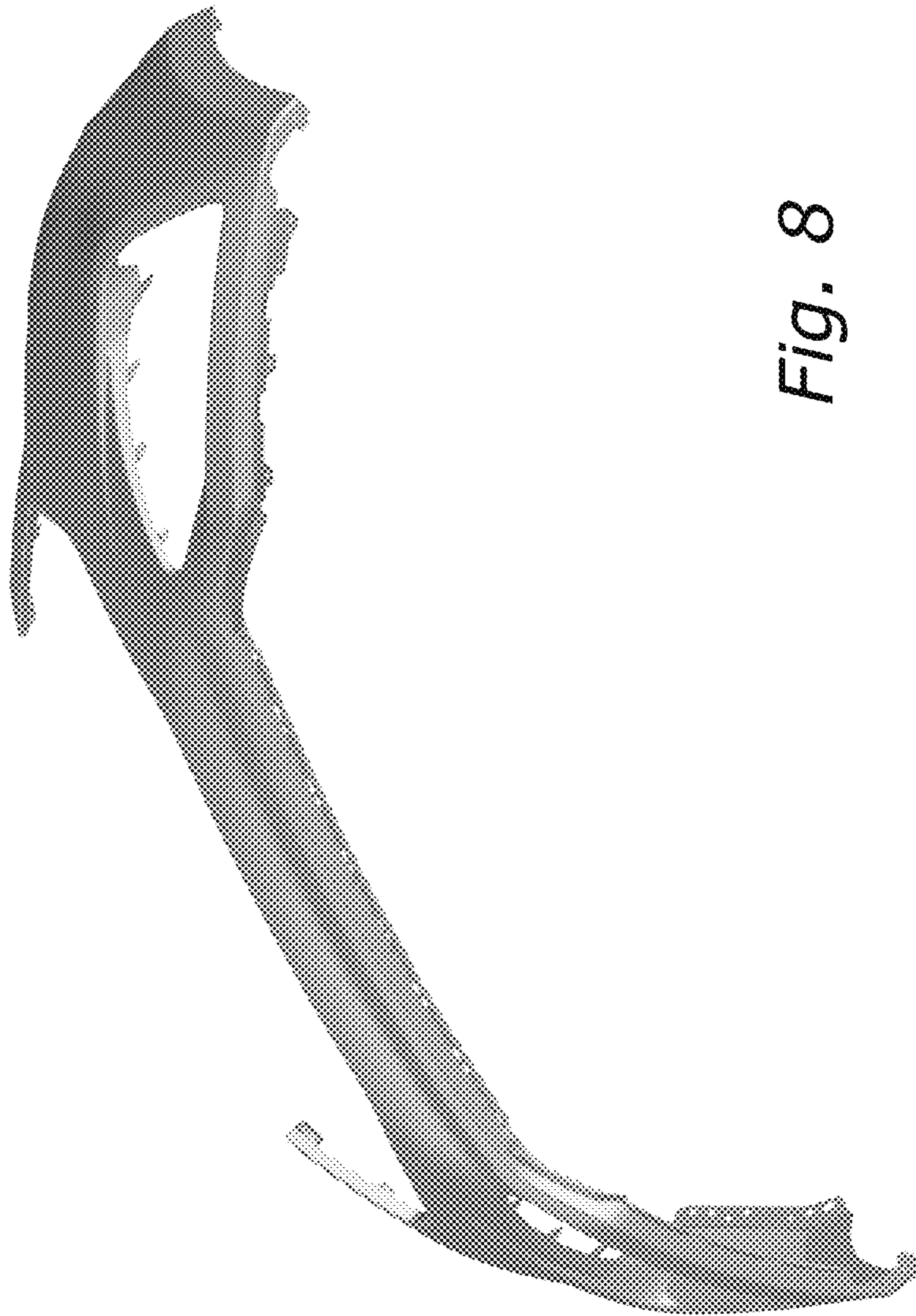


Fig. 8

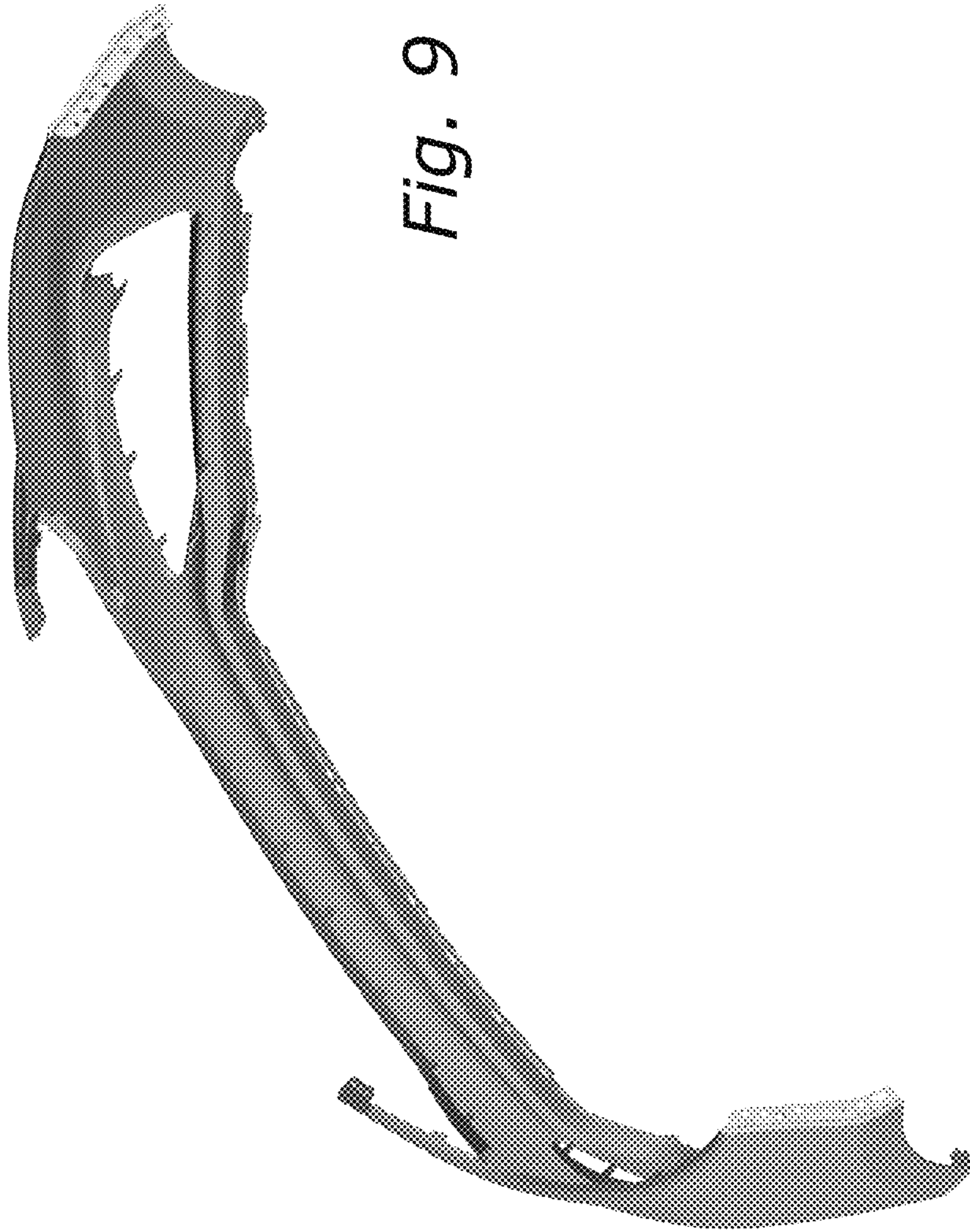


Fig. 9