



US00D911229S

(12) **United States Design Patent** (10) **Patent No.:** **US D911,229 S**
Wietzychowski (45) **Date of Patent:** **** Feb. 23, 2021**

(54) **FRONT BUMPER FOR A VEHICLE**
(71) Applicant: **Bayerische Motoren Werke Aktiengesellschaft, Munich (DE)**
(72) Inventor: **Marco Wietzychowski, Munich (DE)**
(73) Assignee: **Bayerische Motoren Werke Aktiengesellschaft, Munich (DE)**

D803,100 S * 11/2017 Forschner D12/92
D803,112 S * 11/2017 Tomita D12/169
D825,412 S * 8/2018 Luk D12/169
D844,508 S 4/2019 Elstner
D845,192 S * 4/2019 Sarremejean D12/169
D848,326 S 5/2019 Ojea
D852,691 S * 7/2019 Tovey D12/169
D855,510 S * 8/2019 Nissl D12/169
D873,727 S * 1/2020 Schneider D12/169

(Continued)

(**) Term: **15 Years**

FOREIGN PATENT DOCUMENTS

(21) Appl. No.: **29/705,762**

WO WO DM/065992 12/2004
WO WO DM/066886 9/2005

(22) Filed: **Sep. 16, 2019**

(Continued)

(30) **Foreign Application Priority Data**

Primary Examiner — Melody N Brown

Mar. 25, 2019 (DE) 40 2019 100 370.3

(74) *Attorney, Agent, or Firm* — Crowell & Moring LLP

(51) **LOC (13) Cl.** **12-16**

(57) **CLAIM**

(52) **U.S. Cl.**
USPC **D12/169**

The ornamental design for a front bumper for a vehicle, as shown and described.

(58) **Field of Classification Search**
USPC D12/163, 196, 86, 90-92, 169, 190, 98,
D12/164; 293/102, 113, 115, 117, 120,
293/193.11; 296/180.1, 180.2; 180/68.1,
180/68.6

DESCRIPTION

CPC B60R 19/02; B60R 19/04; B62D 25/08
See application file for complete search history.

This application contains subject matter related to the following co-pending U.S. design patent applications: Application Ser. No. 29/689,421, filed Apr. 30, 2019 and entitled "Front Bumper for a Vehicle"; and Application Ser. No. 29/705,756, filed herewith and entitled "Front Bumper for a Vehicle".

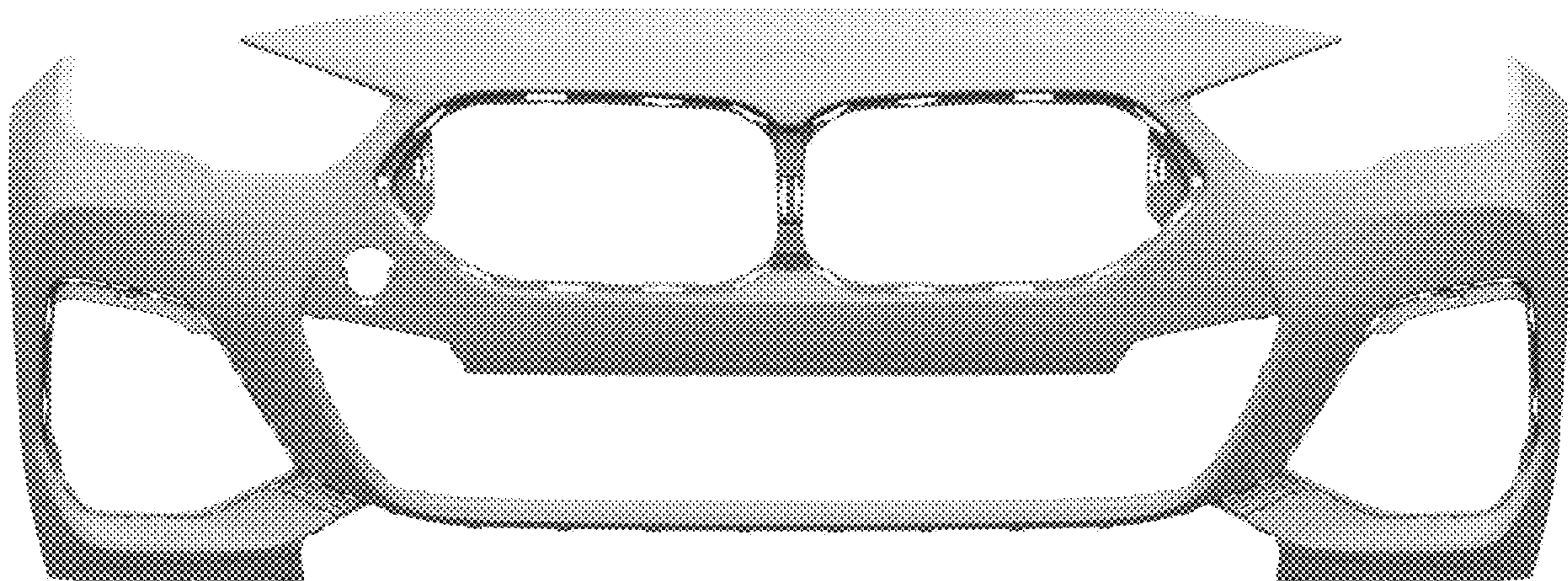
(56) **References Cited**

U.S. PATENT DOCUMENTS

D536,285 S 2/2007 Sycha
D669,402 S * 10/2012 Elmitt D12/169
D716,199 S * 10/2014 Beermann D12/169
D735,096 S * 7/2015 Nissl D12/169
D737,738 S 9/2015 Nordmann
D748,543 S * 2/2016 Nissl D12/169
D772,120 S * 11/2016 Luk D12/169
D772,122 S * 11/2016 Zurian D12/169
D787,377 S * 5/2017 Al Attar D12/92
D787,990 S * 5/2017 Kozub D12/169

FIG. 1 is a front view of a front bumper for a vehicle according to the design;
FIG. 2 is a right, front perspective view thereof;
FIG. 3 is a left, bottom perspective view thereof;
FIG. 4 is a right side view thereof;
FIG. 5 is a left side view thereof;
FIG. 6 is a top view thereof;
FIG. 7 is a bottom view thereof; and,
FIG. 8 is a rear view thereof.

1 Claim, 8 Drawing Sheets



(56)

References Cited

U.S. PATENT DOCUMENTS

D875,624 S *	2/2020	Tanghe	D12/169
D885,266 S *	5/2020	Kezha	D12/169
D885,267 S *	5/2020	Tanghe	D12/169
D890,649 S *	7/2020	Kang	D12/169
D890,650 S *	7/2020	Kang	D12/169
D890,652 S *	7/2020	Al Attar	D12/169

FOREIGN PATENT DOCUMENTS

WO	WO DM/084038	1/2015
WO	WO DM/084222	2/2015
WO	WO DM/200928	4/2019

* cited by examiner

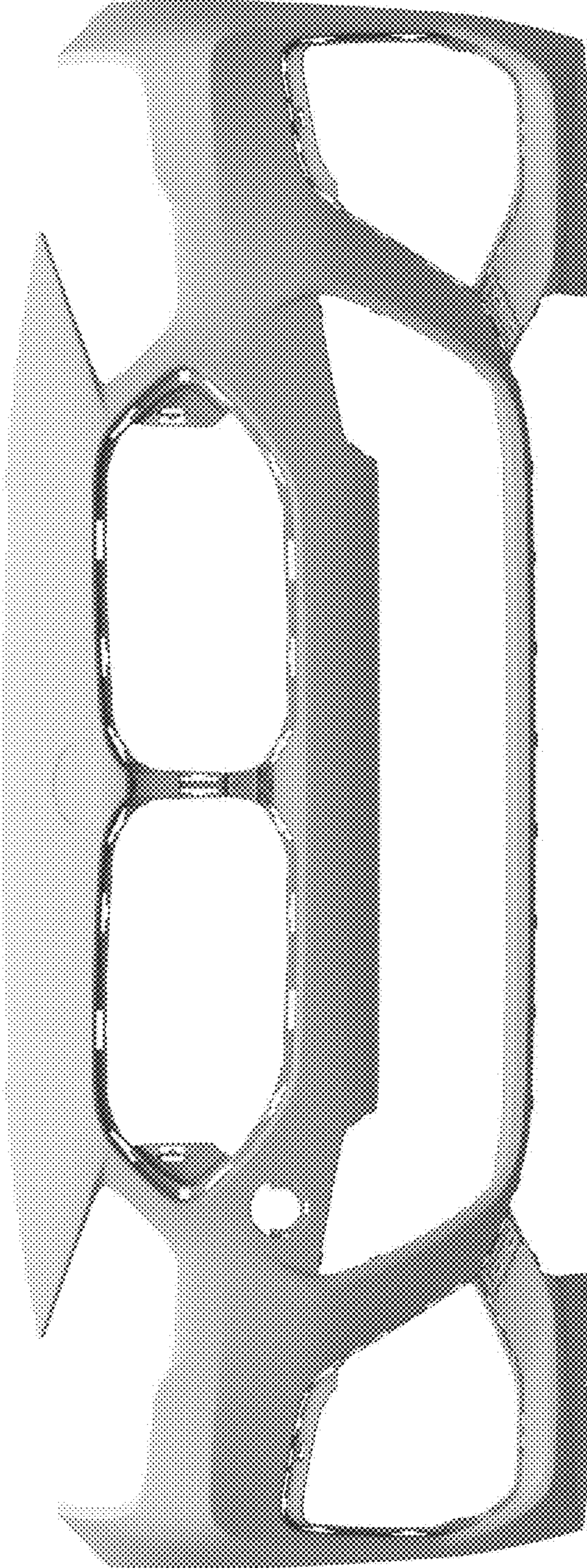


Fig. 1

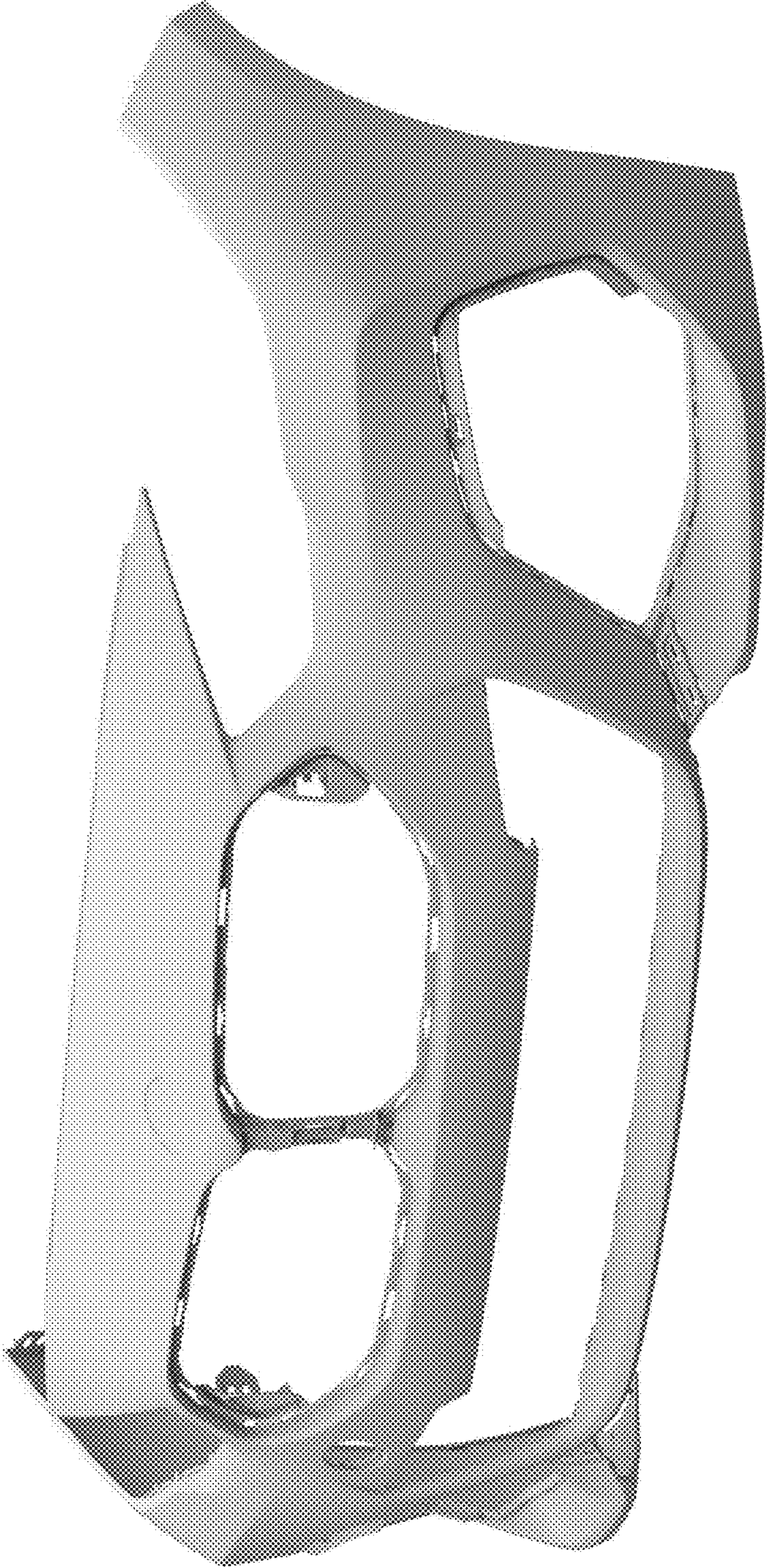


Fig. 2

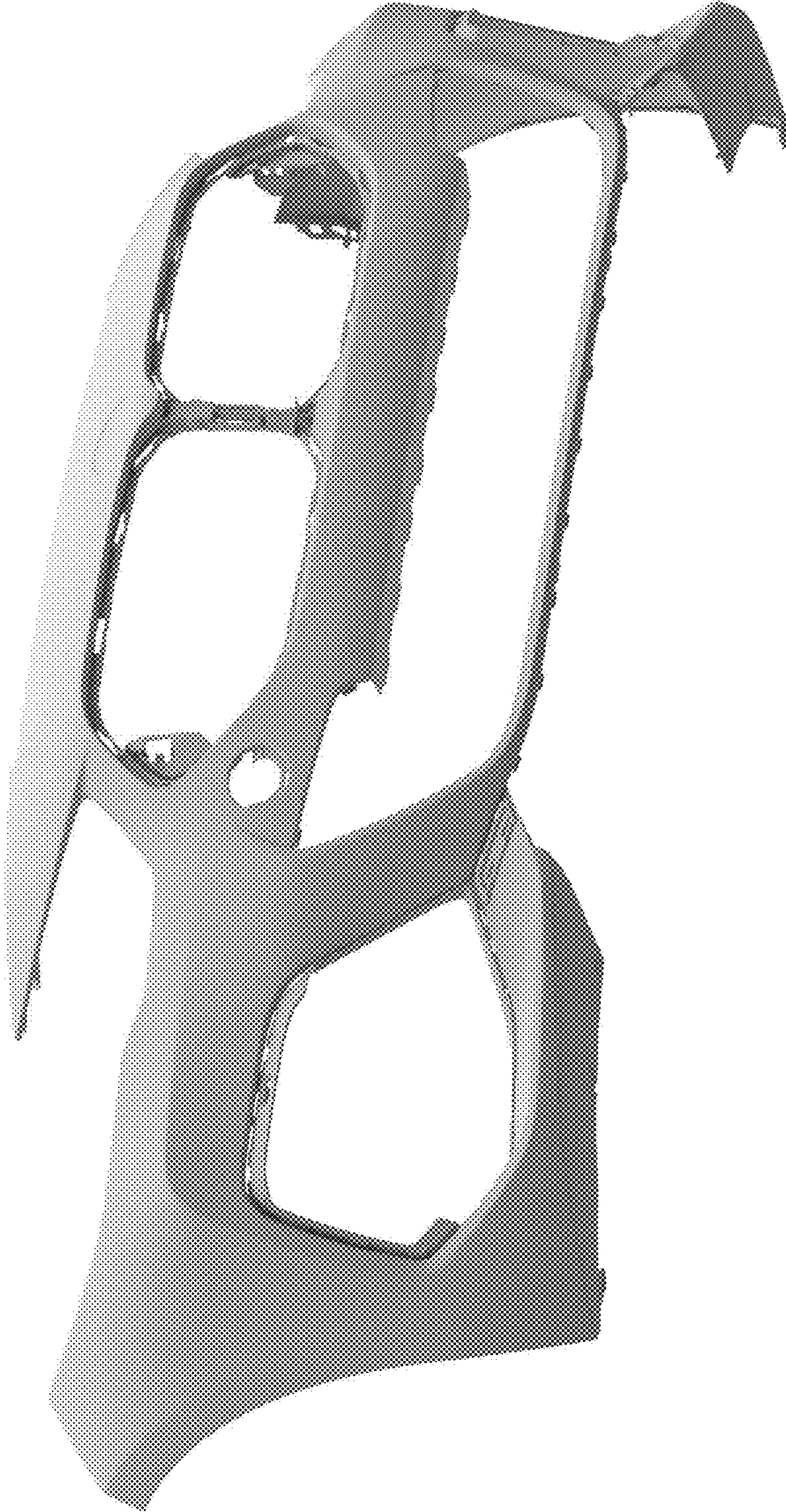


Fig. 3

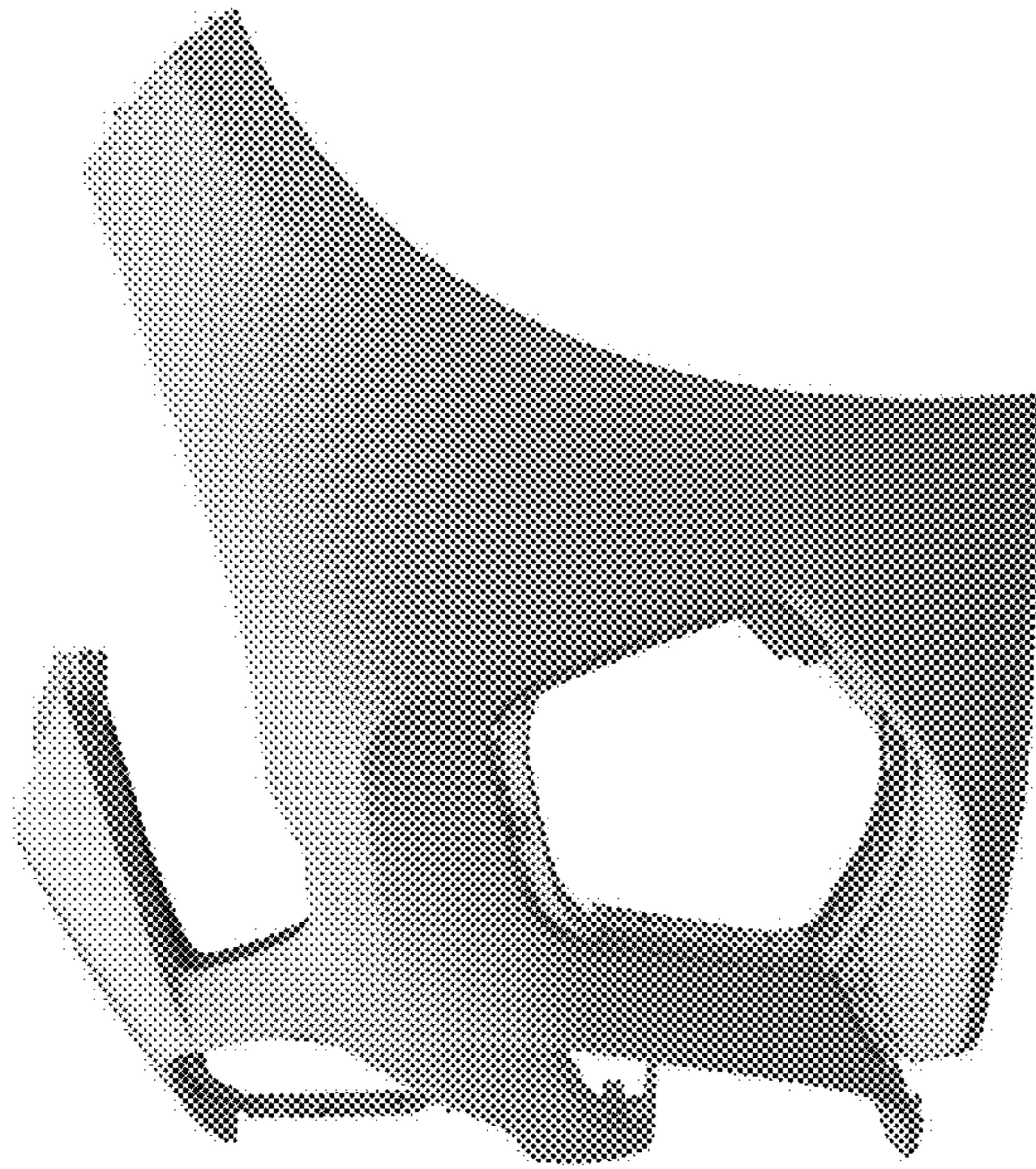


Fig. 4

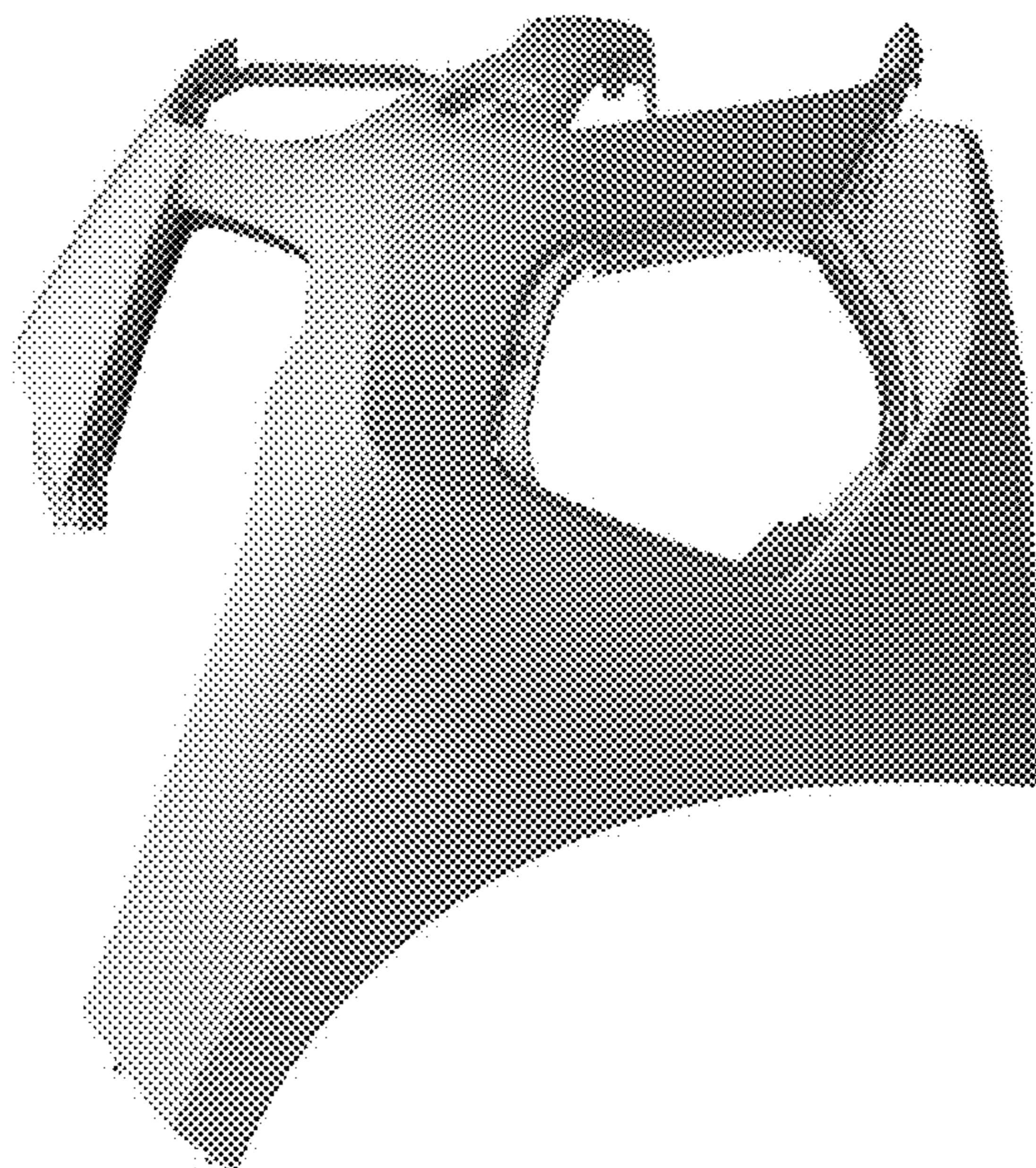


Fig. 5

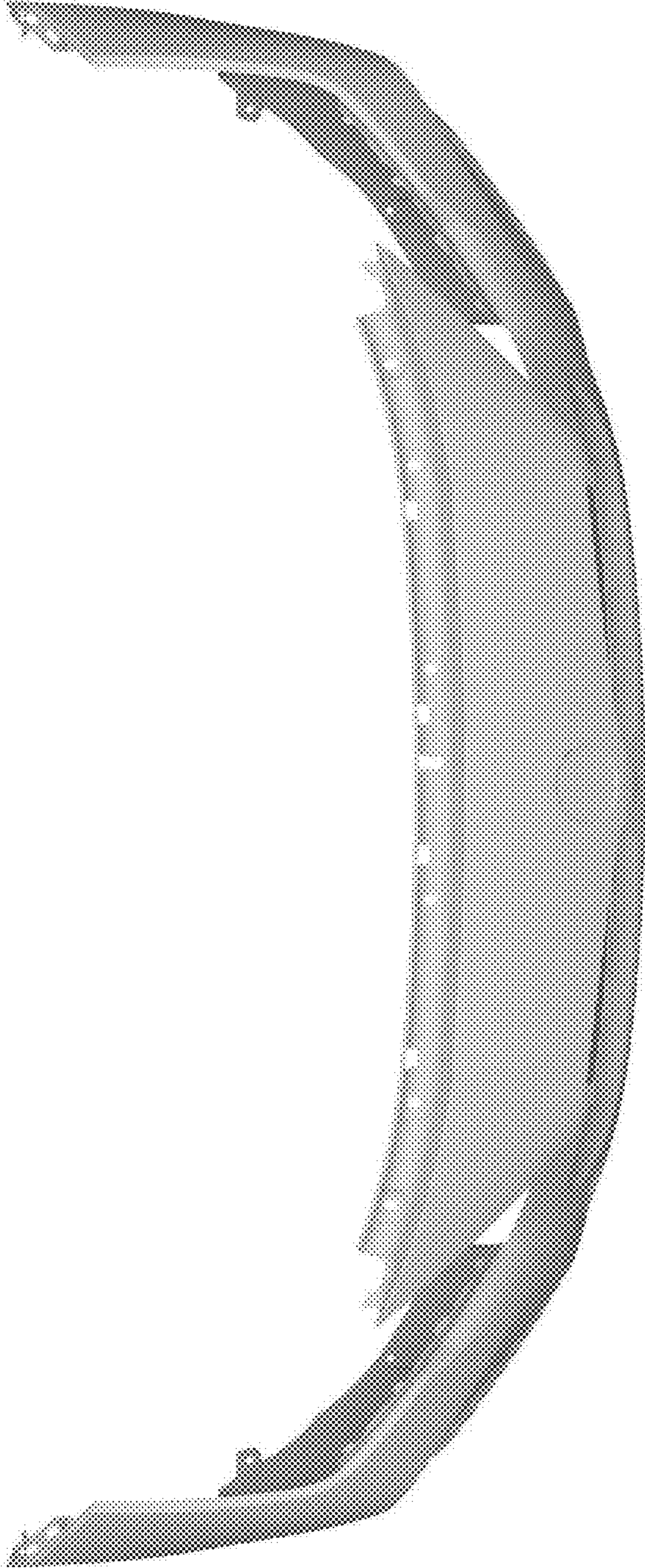


Fig. 6

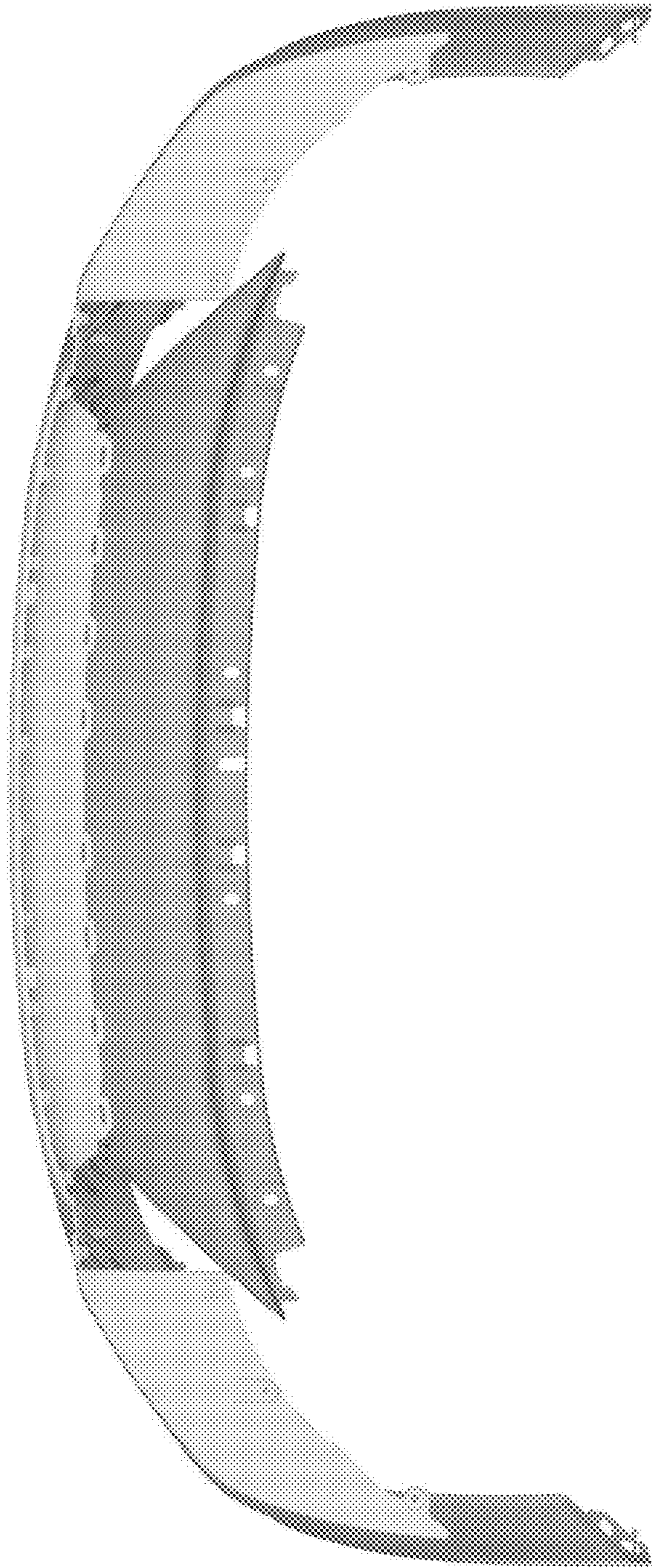


Fig. 7

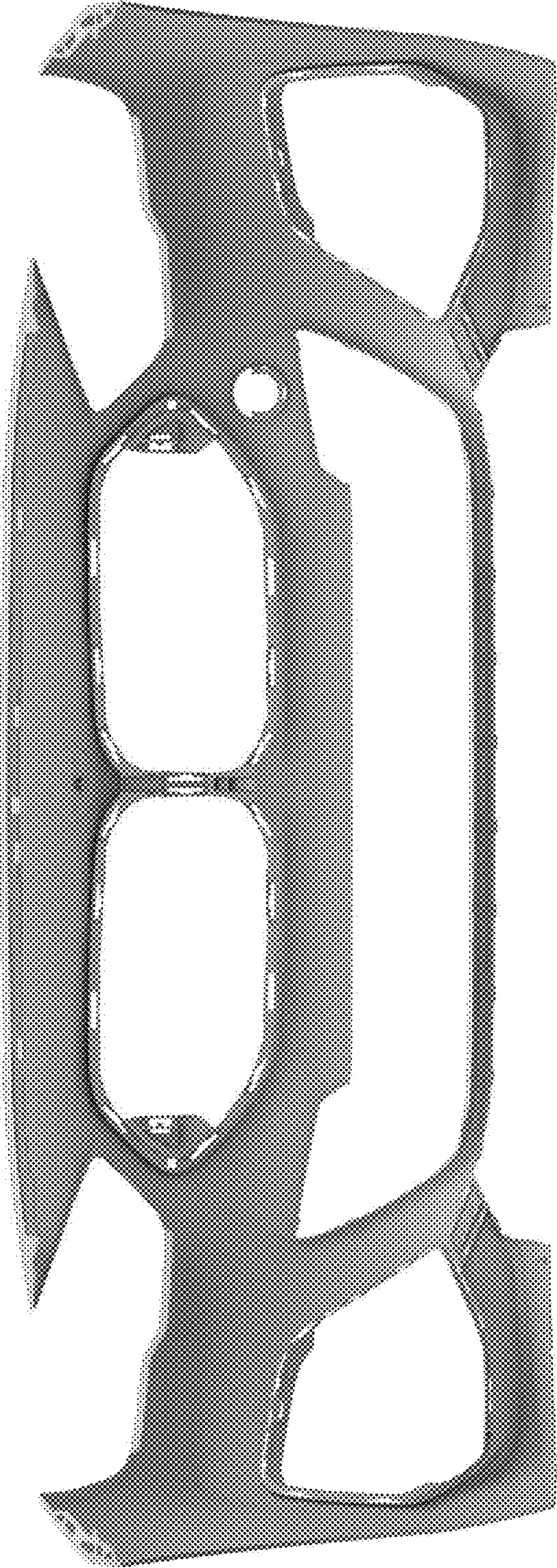


Fig. 8