



US00D911227S

(12) **United States Design Patent** (10) **Patent No.:** **US D911,227 S**
Al Attar (45) **Date of Patent:** **** Feb. 23, 2021**

(54) **REAR BUMPER FOR A VEHICLE**
(71) Applicant: **Bayerische Motoren Werke Aktiengesellschaft, Munich (DE)**
(72) Inventor: **Hussein Al Attar, Munich (DE)**
(73) Assignee: **Bayerische Motoren Werke Aktiengesellschaft, Munich (DE)**

D856,224 S * 8/2019 Nissl D12/169
D856,867 S * 8/2019 Elstner D12/169
D856,870 S * 8/2019 Nakajima D12/169
D858,376 S * 9/2019 Scheinhutte D12/169
D861,550 S * 10/2019 Li D12/169
D873,187 S * 1/2020 Beaven D12/169
D882,468 S * 4/2020 Sperling D12/169

(Continued)

(**) Term: **15 Years**
(21) Appl. No.: **29/694,273**
(22) Filed: **Jun. 10, 2019**

FOREIGN PATENT DOCUMENTS

WO WO DM/099674 6/2018
WO WO DM/099883 8/2018

Primary Examiner — Melody N Brown
(74) *Attorney, Agent, or Firm* — Crowell & Moring LLP

(30) **Foreign Application Priority Data**
Dec. 17, 2018 (DE) 402018101274.2
(51) **LOC (13) Cl.** **12-16**
(52) **U.S. Cl.**
USPC **D12/169**
(58) **Field of Classification Search**
USPC D12/163, 196, 86, 90–92, 169, 190, 98,
D12/164; 293/102, 113, 115, 117, 120,
293/193.11; 296/180.1, 180.2; 180/68.1,
180/68.6
CPC B60R 19/02; B60R 19/04; B62D 25/08
See application file for complete search history.

(57) **CLAIM**

The ornamental design for a rear bumper for a vehicle, as shown and described.

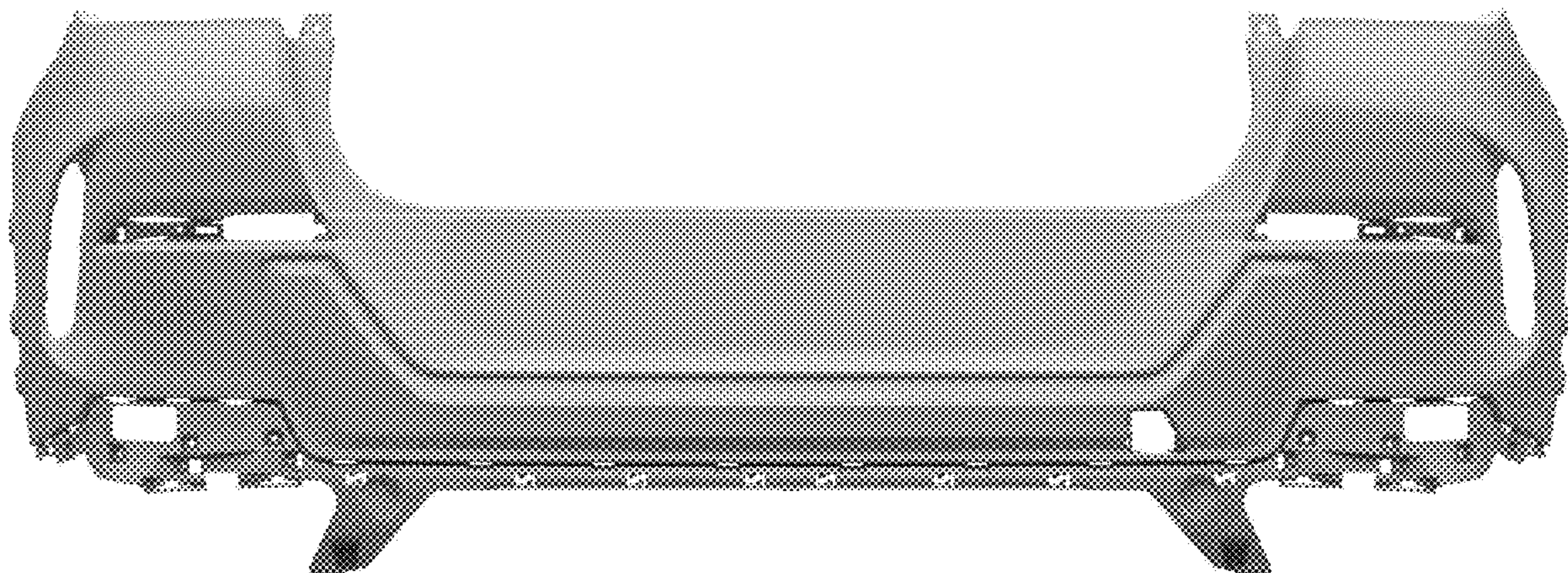
DESCRIPTION

This application contains subject matter related to the following co-pending U.S. design patent applications: Application Ser. No. 29/637,230, filed Feb. 15, 2018 and entitled “Rear Bumper for a Vehicle”; Application Ser. No. 29/631,783, filed Jan. 3, 2018 and entitled “Rear Bumper for a Vehicle”; Application Ser. No. 29/694,267, filed herewith and entitled “Vehicle, Toy, and/or Replicas Thereof”; and Application Ser. No. 29/694,276, filed herewith and entitled “Rear Bumper for a Vehicle”.

FIG. 1 is a front view of a rear bumper for a vehicle according to the design;
FIG. 2 is a left, bottom perspective view thereof;
FIG. 3 is a right, front perspective view thereof;
FIG. 4 is a left side view thereof;
FIG. 5 is a right side view thereof;
FIG. 6 is a top view thereof;
FIG. 7 is a bottom view thereof; and,
FIG. 8 is a rear view thereof.

(56) **References Cited**
U.S. PATENT DOCUMENTS
D754,576 S 4/2016 Nissl
D801,885 S * 11/2017 Melikian D12/169
D807,801 S * 1/2018 Piscitelli B65D 85/1045
D12/169
D813,115 S * 3/2018 Holstein D12/169
D815,572 S * 4/2018 Perkins D12/169
D818,402 S * 5/2018 Kawakami D12/169
D821,940 S * 7/2018 Platto D12/169
D845,849 S * 4/2019 Sarremejean D12/169
D856,210 S * 8/2019 De Bono D12/169

1 Claim, 8 Drawing Sheets



(56)

References Cited

U.S. PATENT DOCUMENTS

D887,916 S * 6/2020 Toriyama D12/169
D887,917 S * 6/2020 Kusunoki D12/169

* cited by examiner

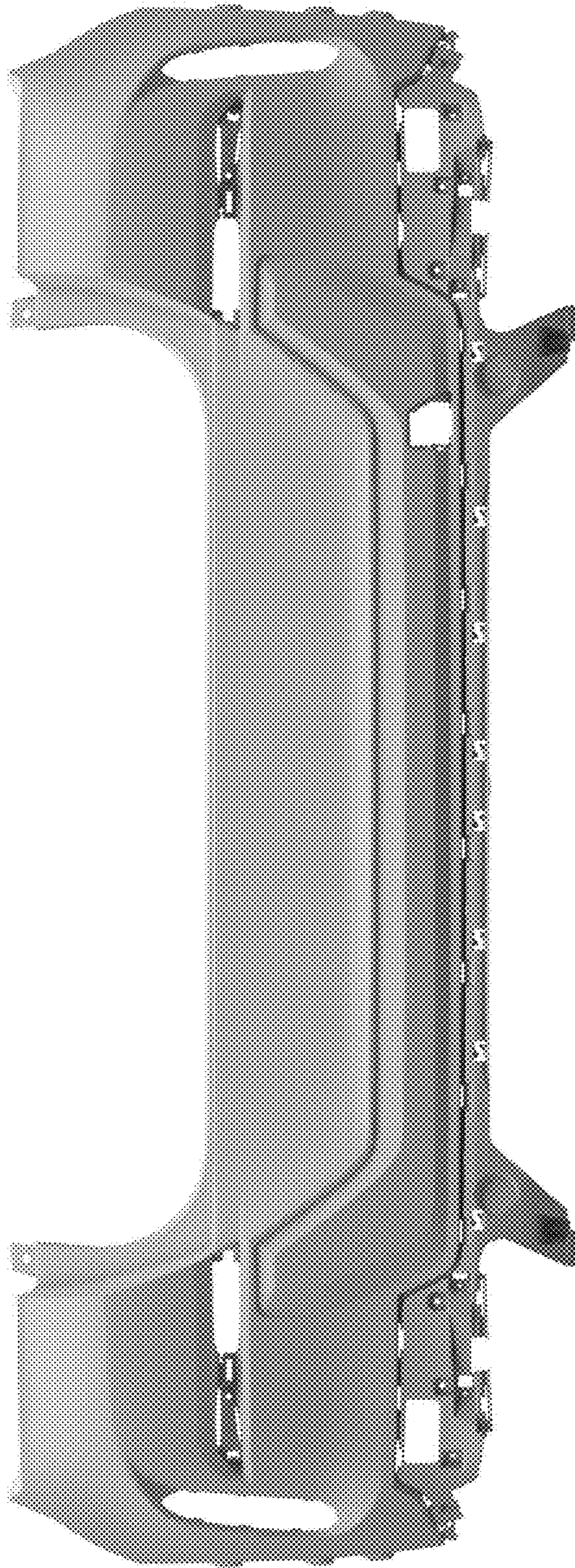


Fig. 1

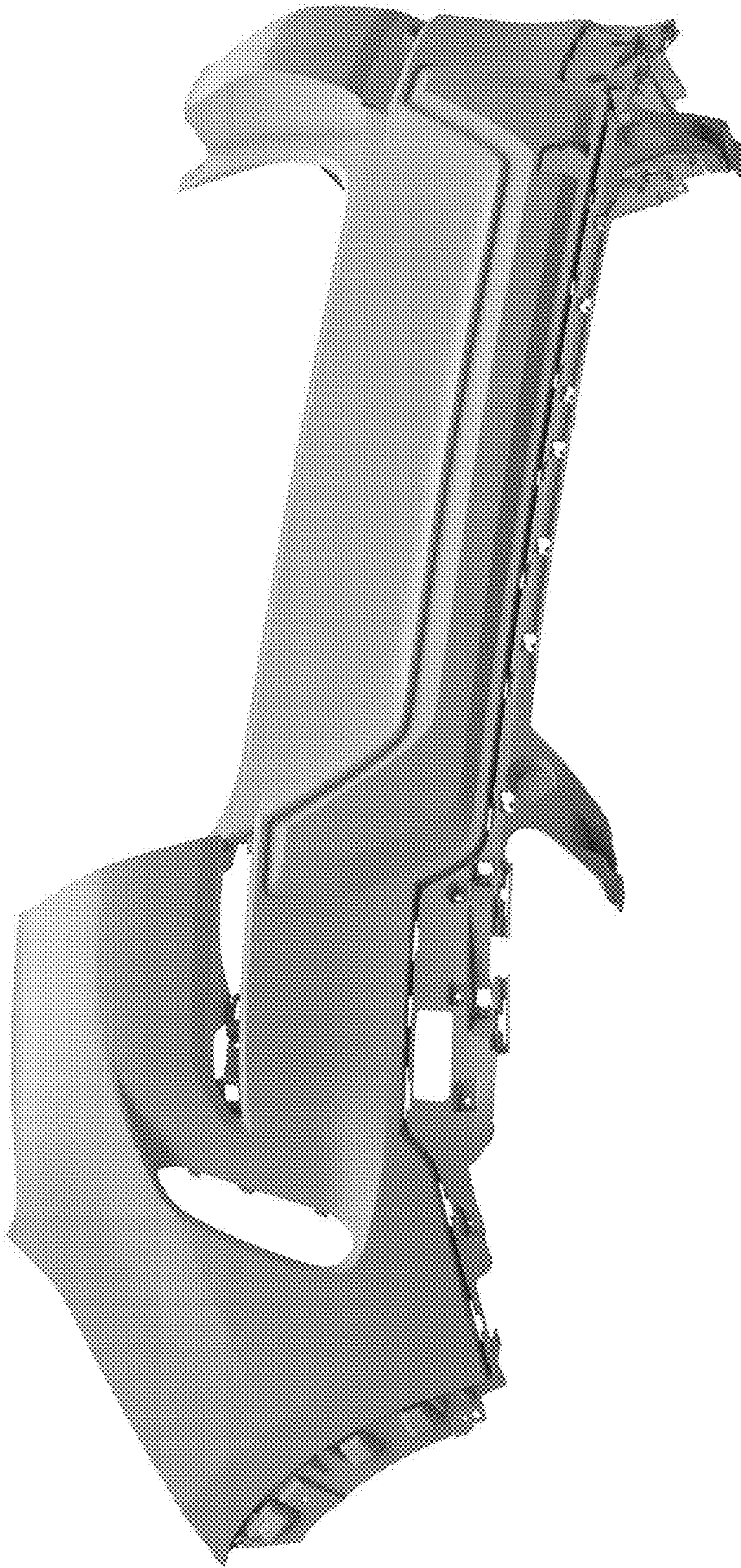


Fig. 2

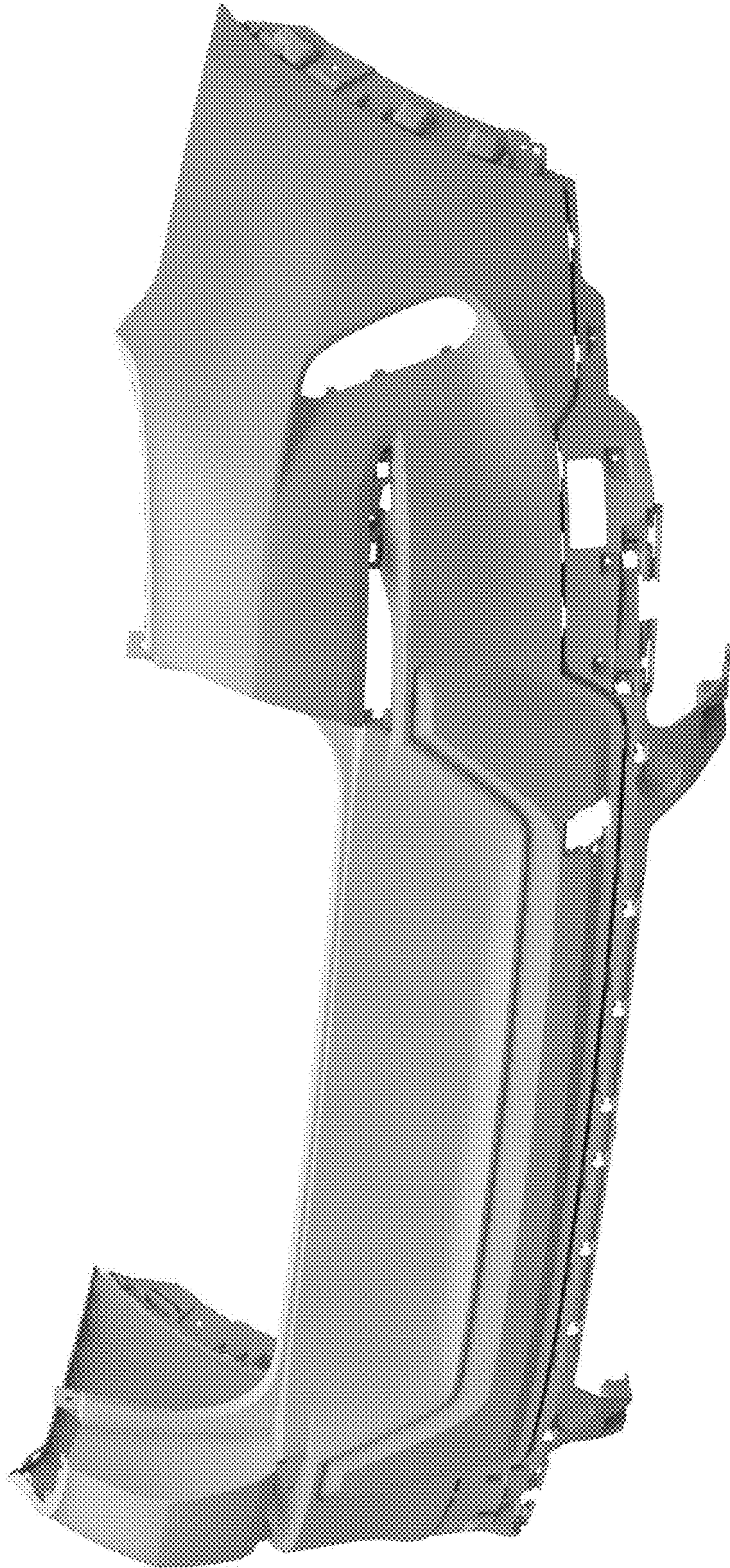


Fig. 3

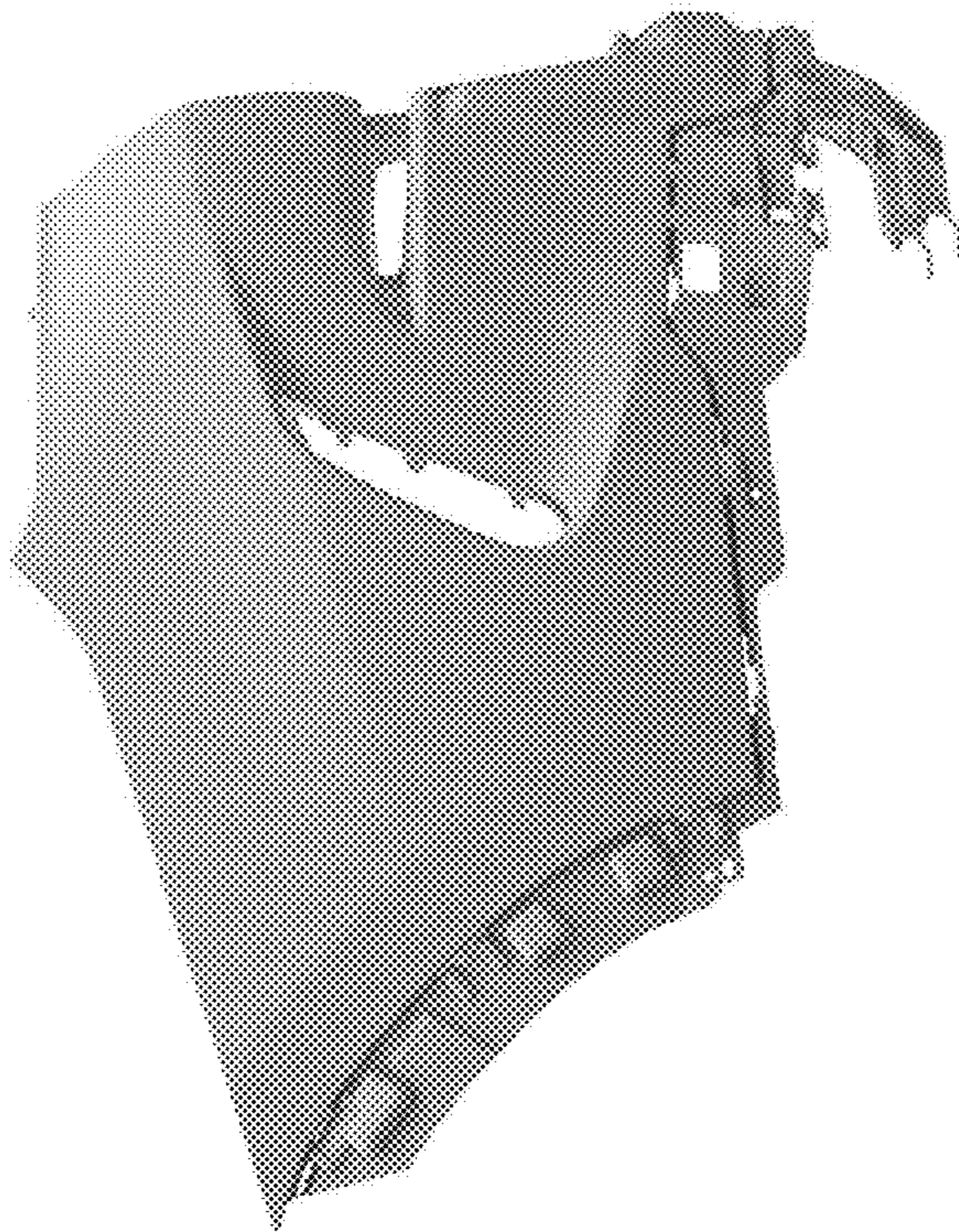


Fig. 4

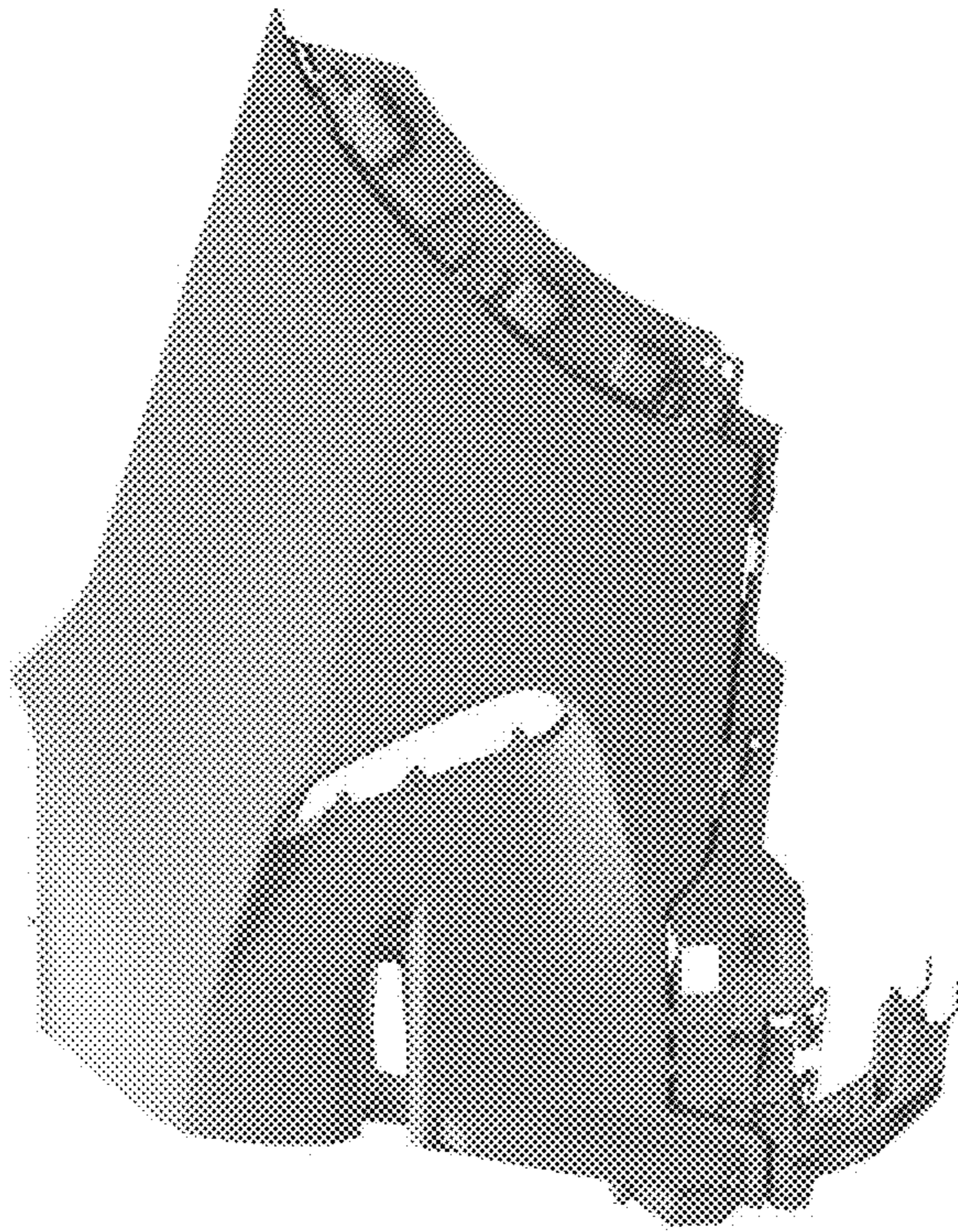


Fig. 5

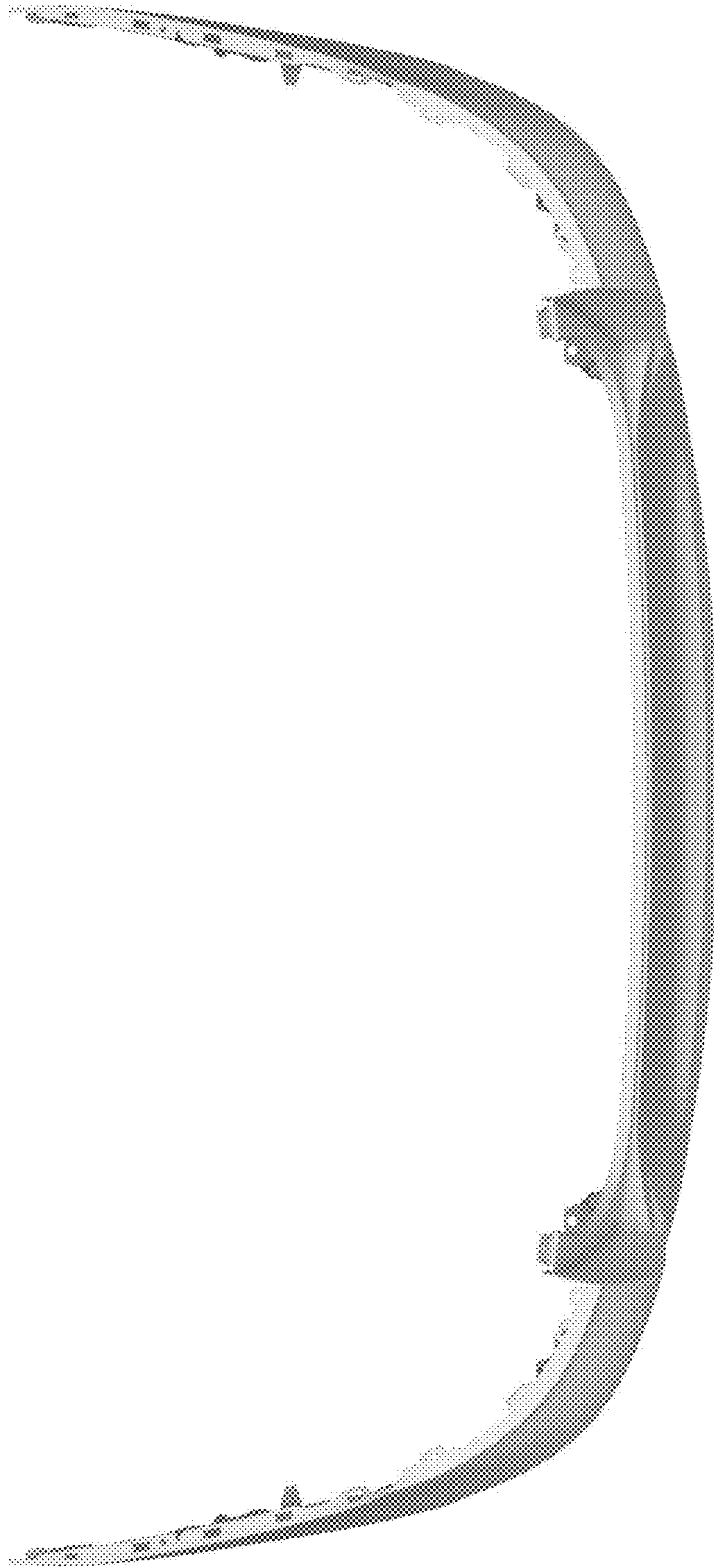


Fig. 6

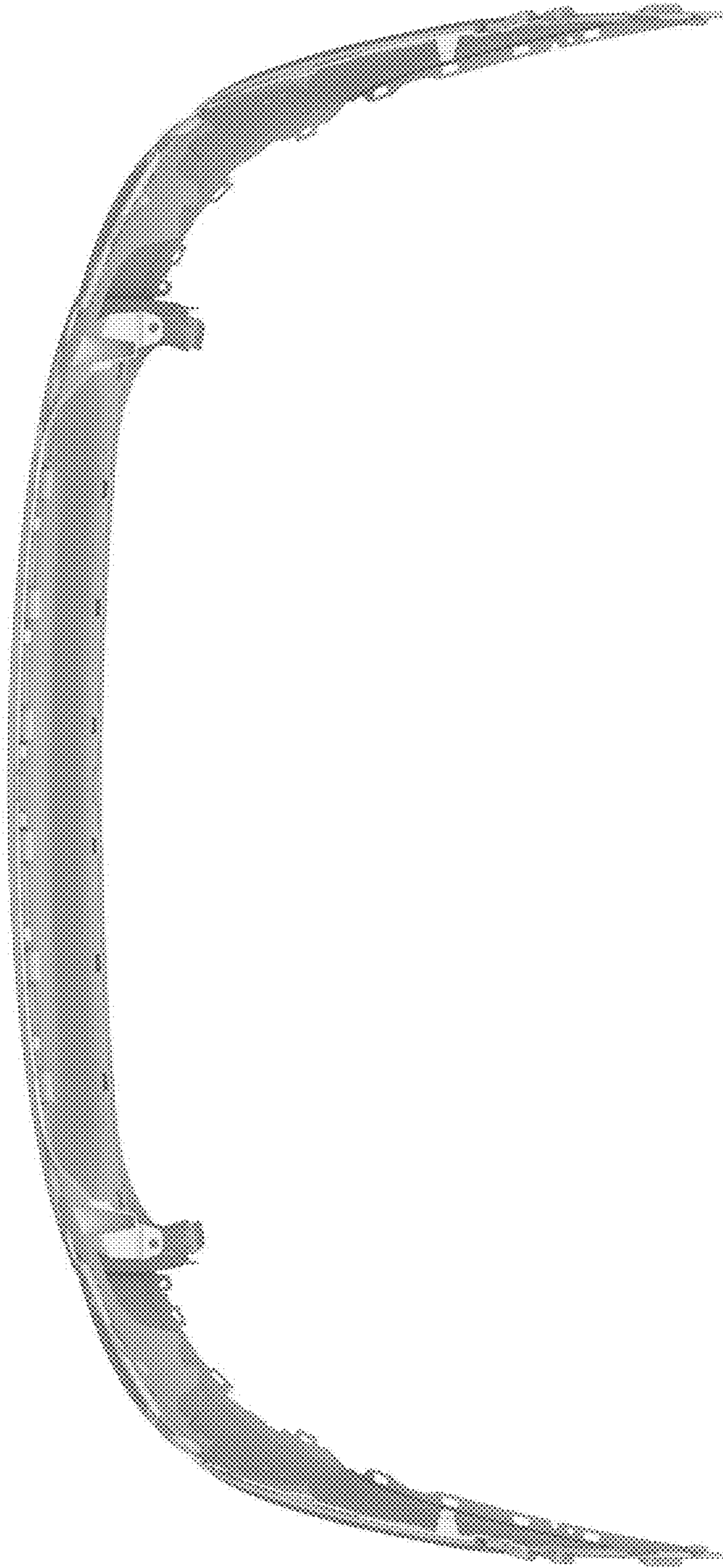


Fig. 7

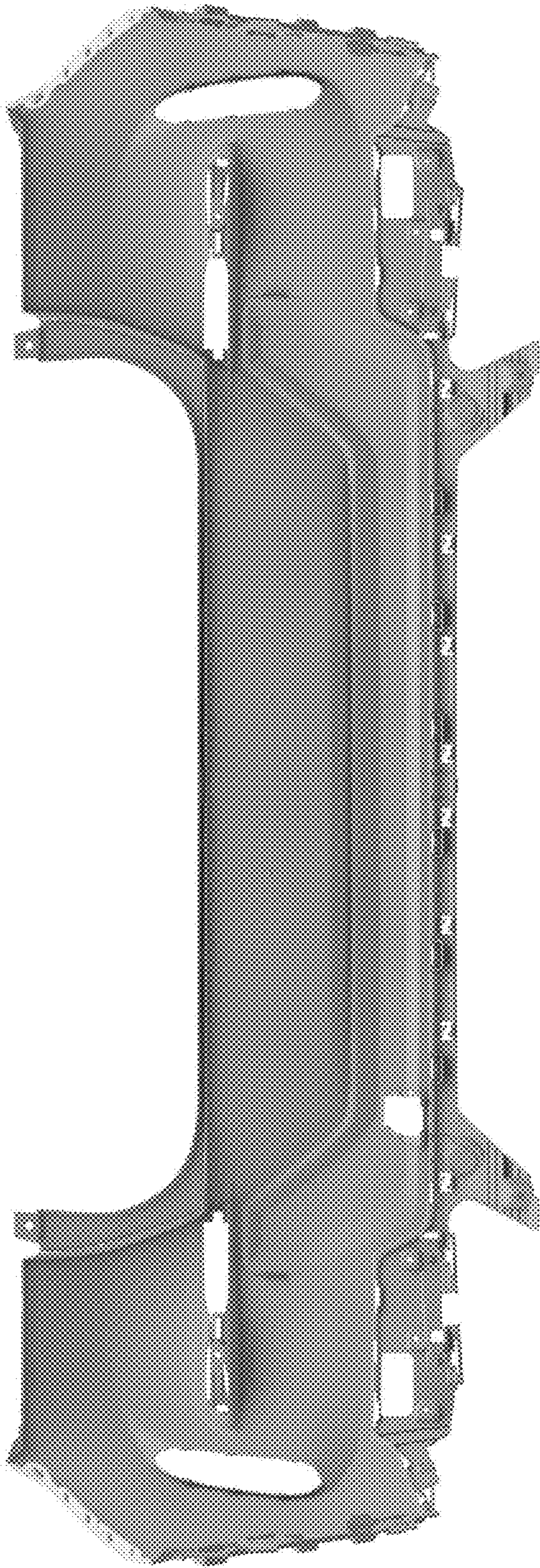


Fig. 8