



US00D911226S

(12) **United States Design Patent** (10) **Patent No.:** **US D911,226 S**
Tafe (45) **Date of Patent:** **** Feb. 23, 2021**

- (54) **AUTOMOTIVE RADIATOR**
- (71) Applicant: **Mishimoto Automotive**, New Castle, DE (US)
- (72) Inventor: **Dan Tafe**, Newark, DE (US)
- (73) Assignee: **Resource International Inc.**, New Castle, DE (US)
- (**) Term: **15 Years**
- (21) Appl. No.: **29/695,932**
- (22) Filed: **Jun. 24, 2019**
- (51) **LOC (13) Cl.** **12-16**
- (52) **U.S. Cl.**
USPC **D12/166**
- (58) **Field of Classification Search**
USPC D12/164, 165, 166
CPC F28F 9/001; F28D 1/05366; F28D 1/0435
See application file for complete search history.

D717,218 S *	11/2014	Tafe	D12/166
D717,702 S *	11/2014	McCardle	D12/166
D746,732 S *	1/2016	Pruitt	D12/166
D751,472 S *	3/2016	Pruitt	D12/166
D802,492 S *	11/2017	Pruitt	D12/166
D802,493 S *	11/2017	Pruitt	D12/166
D802,494 S *	11/2017	Pruitt	D12/166
D802,495 S *	11/2017	Pruitt	D12/166
D890,642 S *	7/2020	Wettig	D12/166
D890,643 S *	7/2020	Tafe	D12/166
2002/0056541 A1 *	5/2002	Kokubunji	B60K 11/04 165/67
2010/0059214 A1 *	3/2010	Xu	F28D 1/05366 165/148
2011/0155358 A1 *	6/2011	Galahroudi	F28F 9/0214 165/173

* cited by examiner

Primary Examiner — Darlington Ly
(74) *Attorney, Agent, or Firm* — Dunlap Bennett & Ludwig, PLLC; Brendan E. Squire

(57) **CLAIM**

The ornamental design for an automotive radiator, as shown and described.

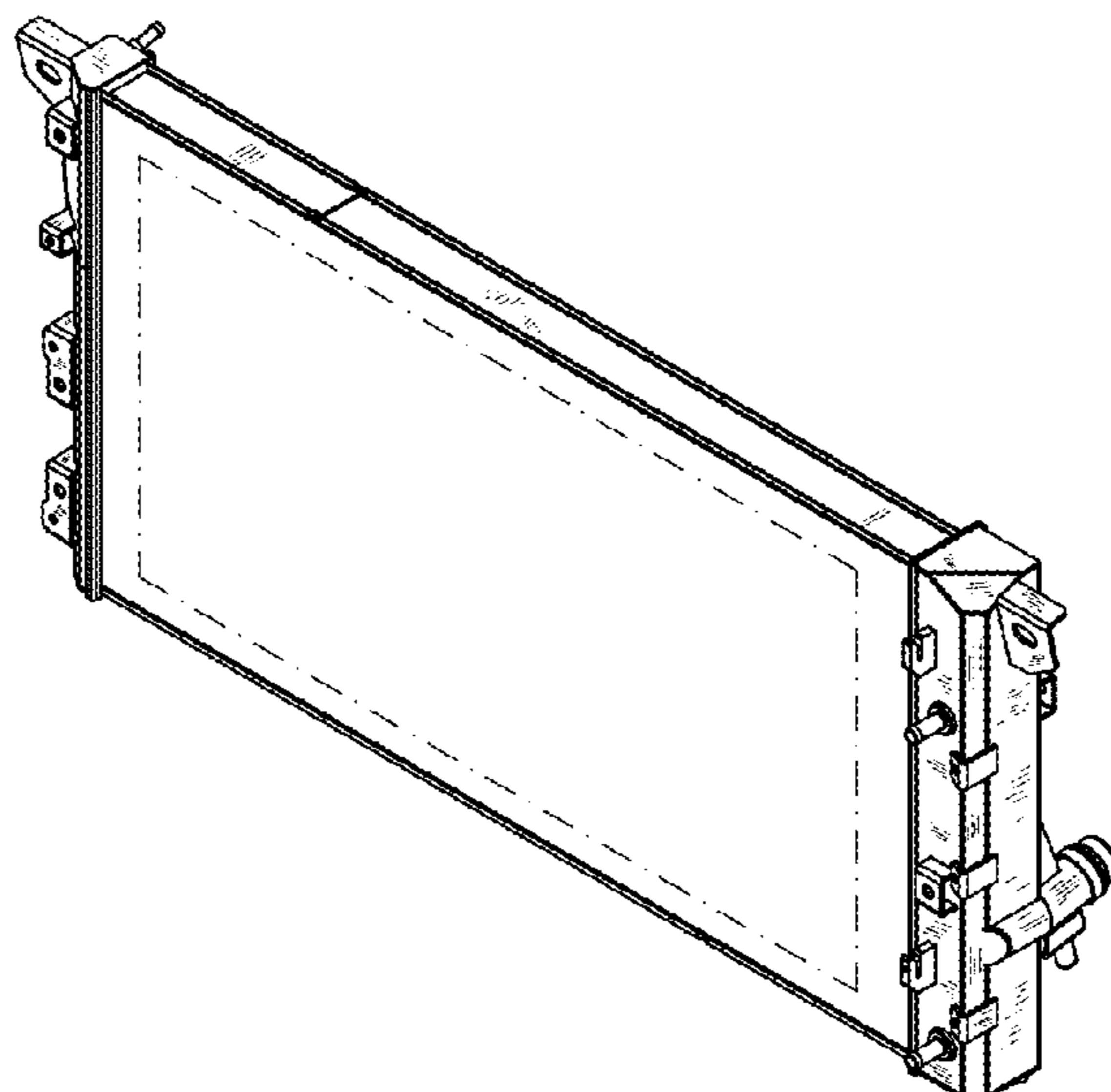
(56) **References Cited**
U.S. PATENT DOCUMENTS

3,165,151 A *	1/1965	Astrup	F28D 1/0535 165/81
D263,461 S *	3/1982	Young	D12/166
4,540,044 A *	9/1985	Lenz	F28F 9/001 165/149
4,619,313 A *	10/1986	Rhodes	F28F 9/001 165/149
6,899,167 B2 *	5/2005	Martins	F28D 1/0435 165/140
7,500,514 B2 *	3/2009	Heine	F01P 11/08 165/140
7,694,724 B2 *	4/2010	Kolb	F28F 9/0234 165/81
7,942,223 B2 *	5/2011	Obayashi	B60K 11/04 180/68.4
8,376,073 B2 *	2/2013	Nantais	B60K 11/04 180/68.4
D703,126 S *	4/2014	Tafe	D12/223

DESCRIPTION

FIG. 1 is a front elevation view of an automotive radiator showing my new design;
FIG. 2 is a rear elevation view thereof;
FIG. 3 is a left side elevation view thereof;
FIG. 4 is a right side elevation view thereof;
FIG. 5 is a top plan view thereof;
FIG. 6 is a bottom plan view thereof; and,
FIG. 7 is a perspective view thereof.
The dash-dot-dash lines in the drawings illustrate a boundary line, the portions of the automotive radiator within the boundary line and the boundary line form no part of the claimed design.

1 Claim, 4 Drawing Sheets



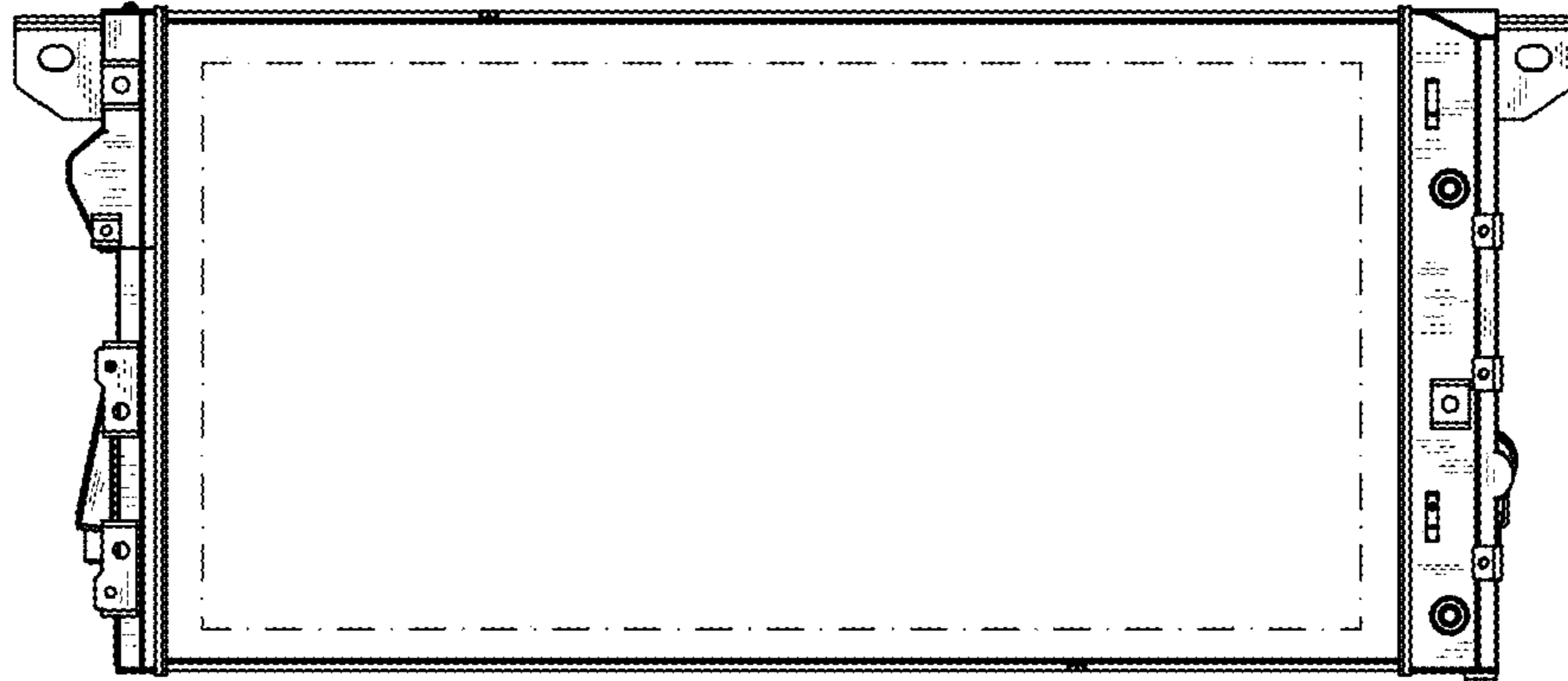


FIGURE 1

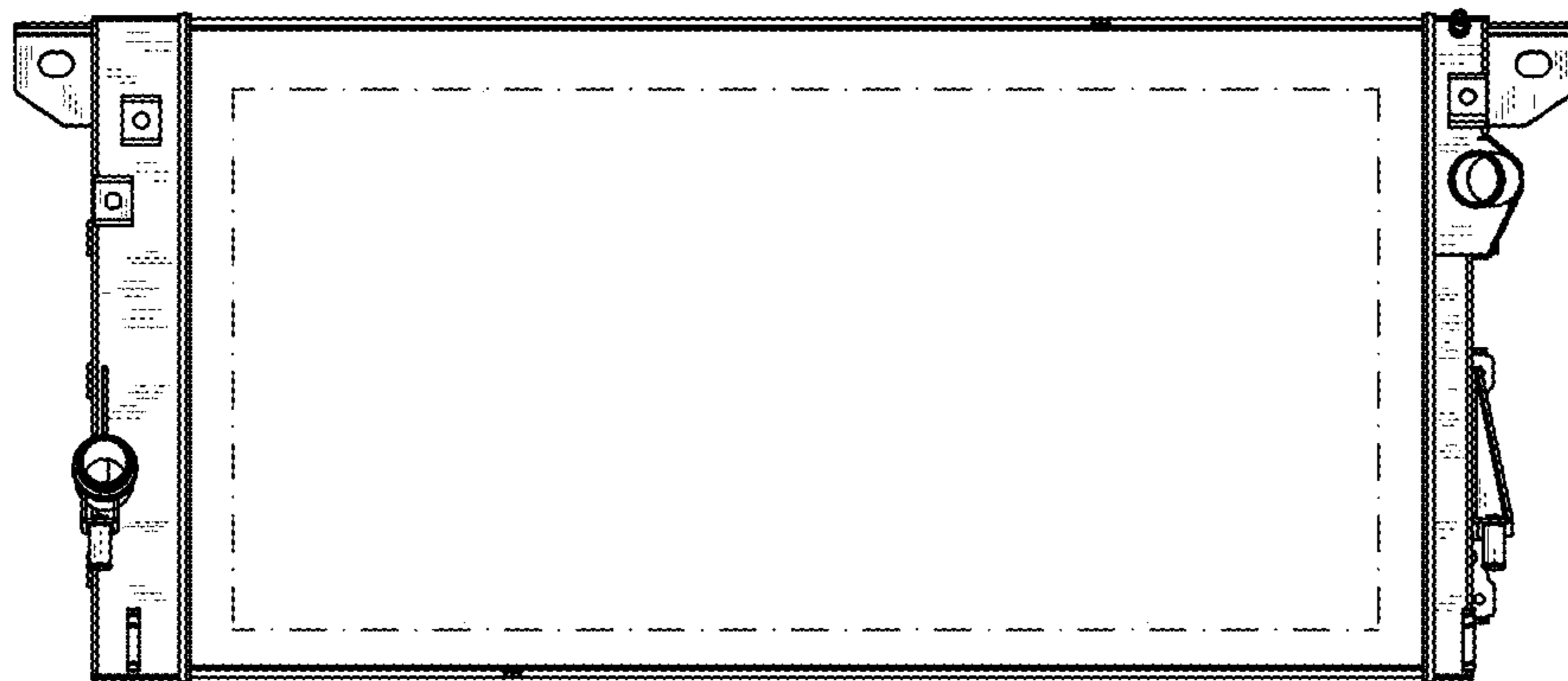


FIGURE 2

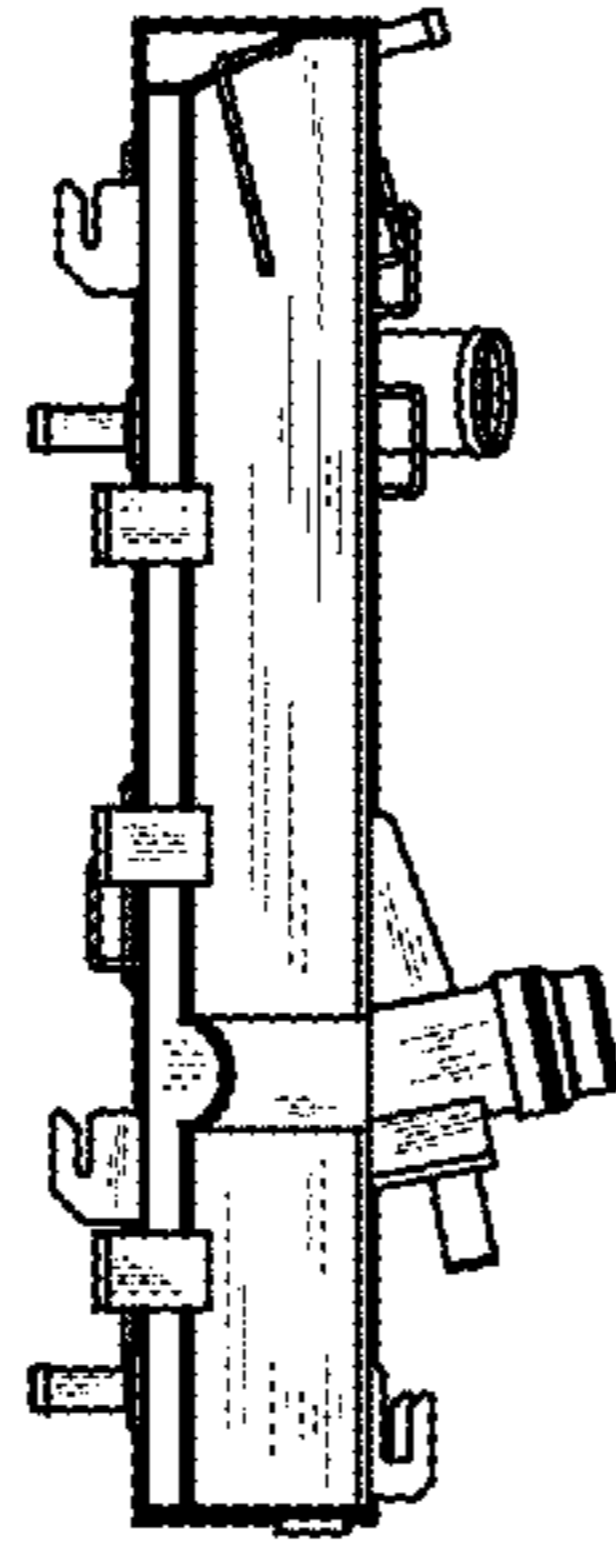


FIGURE 3

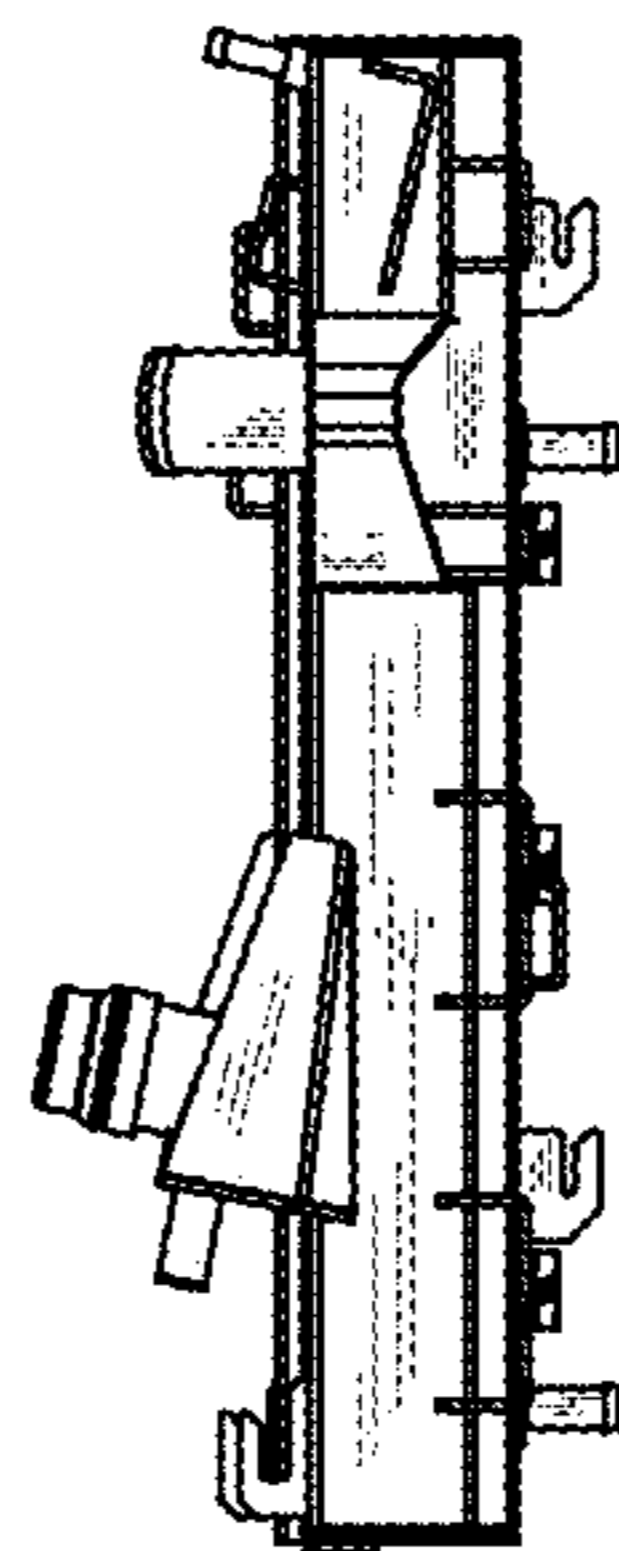


FIGURE 4

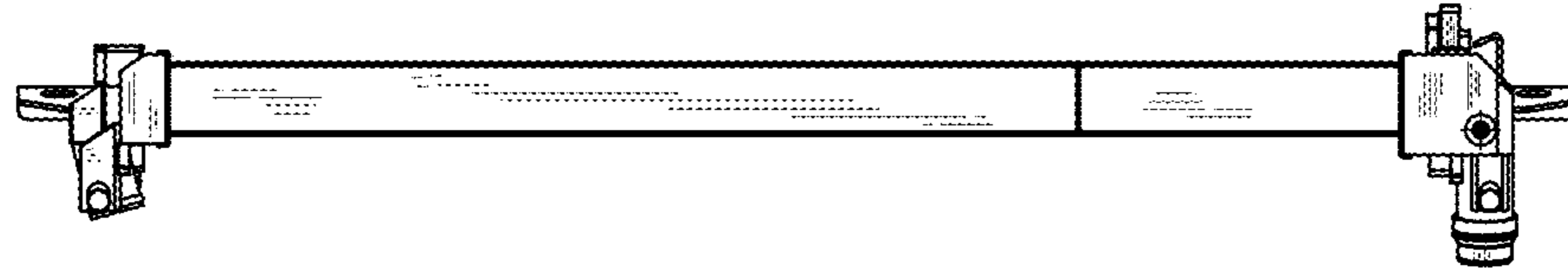


FIGURE 5

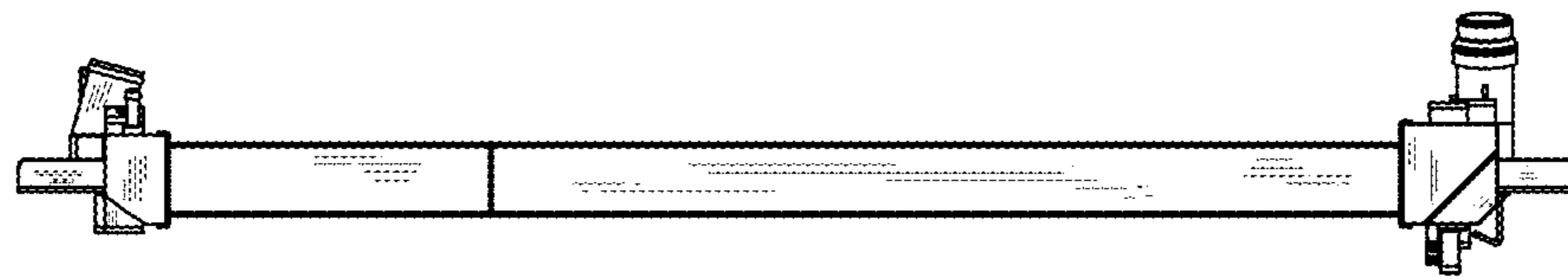


FIGURE 6

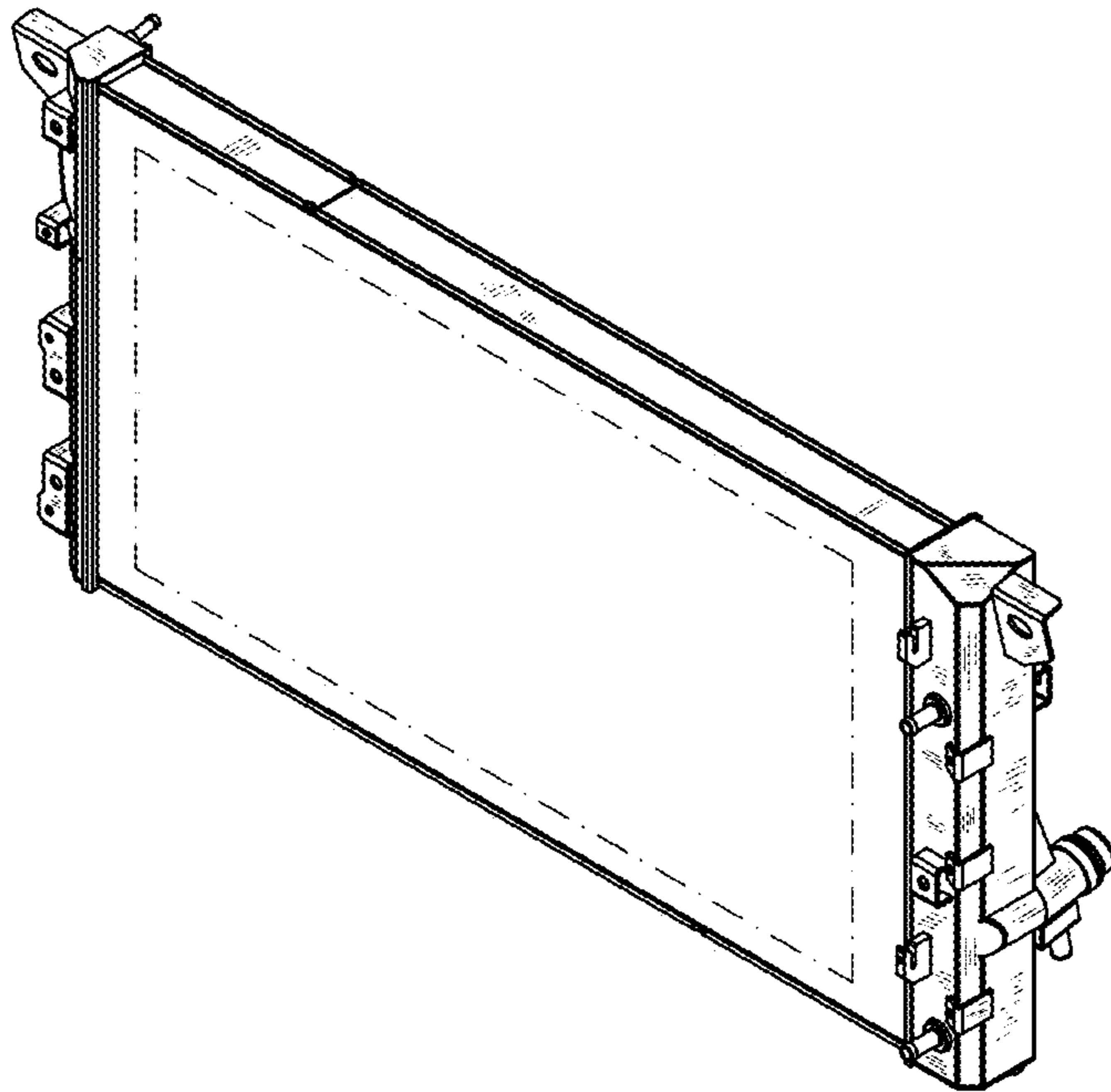


FIGURE 7