



US00D911226S

(12) **United States Design Patent** (10) **Patent No.:** **US D911,226 S**  
**Tafe** (45) **Date of Patent:** **\*\* Feb. 23, 2021**

- (54) **AUTOMOTIVE RADIATOR**
- (71) Applicant: **Mishimoto Automotive**, New Castle, DE (US)
- (72) Inventor: **Dan Tafe**, Newark, DE (US)
- (73) Assignee: **Resource International Inc.**, New Castle, DE (US)
- (\*\*) Term: **15 Years**
- (21) Appl. No.: **29/695,932**
- (22) Filed: **Jun. 24, 2019**
- (51) **LOC (13) Cl.** ..... **12-16**
- (52) **U.S. Cl.**  
USPC ..... **D12/166**
- (58) **Field of Classification Search**  
USPC ..... D12/164, 165, 166  
CPC ..... F28F 9/001; F28D 1/05366; F28D 1/0435  
See application file for complete search history.

- (56) **References Cited**  
U.S. PATENT DOCUMENTS
- 3,165,151 A \* 1/1965 Astrup ..... F28D 1/0535  
165/81
- D263,461 S \* 3/1982 Young ..... D12/166
- 4,540,044 A \* 9/1985 Lenz ..... F28F 9/001  
165/149
- 4,619,313 A \* 10/1986 Rhodes ..... F28F 9/001  
165/149
- 6,899,167 B2 \* 5/2005 Martins ..... F28D 1/0435  
165/140
- 7,500,514 B2 \* 3/2009 Heine ..... F01P 11/08  
165/140
- 7,694,724 B2 \* 4/2010 Kolb ..... F28F 9/0234  
165/81
- 7,942,223 B2 \* 5/2011 Obayashi ..... B60K 11/04  
180/68.4
- 8,376,073 B2 \* 2/2013 Nantais ..... B60K 11/04  
180/68.4
- D703,126 S \* 4/2014 Tafe ..... D12/223

- D717,218 S \* 11/2014 Tafe ..... D12/166
- D717,702 S \* 11/2014 McCardle ..... D12/166
- D746,732 S \* 1/2016 Pruitt ..... D12/166
- D751,472 S \* 3/2016 Pruitt ..... D12/166
- D802,492 S \* 11/2017 Pruitt ..... D12/166
- D802,493 S \* 11/2017 Pruitt ..... D12/166
- D802,494 S \* 11/2017 Pruitt ..... D12/166
- D802,495 S \* 11/2017 Pruitt ..... D12/166
- D890,642 S \* 7/2020 Wettig ..... D12/166
- D890,643 S \* 7/2020 Tafe ..... D12/166
- 2002/0056541 A1 \* 5/2002 Kokubunji ..... B60K 11/04  
165/67
- 2010/0059214 A1 \* 3/2010 Xu ..... F28D 1/05366  
165/148
- 2011/0155358 A1 \* 6/2011 Galahroudi ..... F28F 9/0214  
165/173

\* cited by examiner

*Primary Examiner* — Darlington Ly  
(74) *Attorney, Agent, or Firm* — Dunlap Bennett & Ludwig, PLLC; Brendan E. Squire

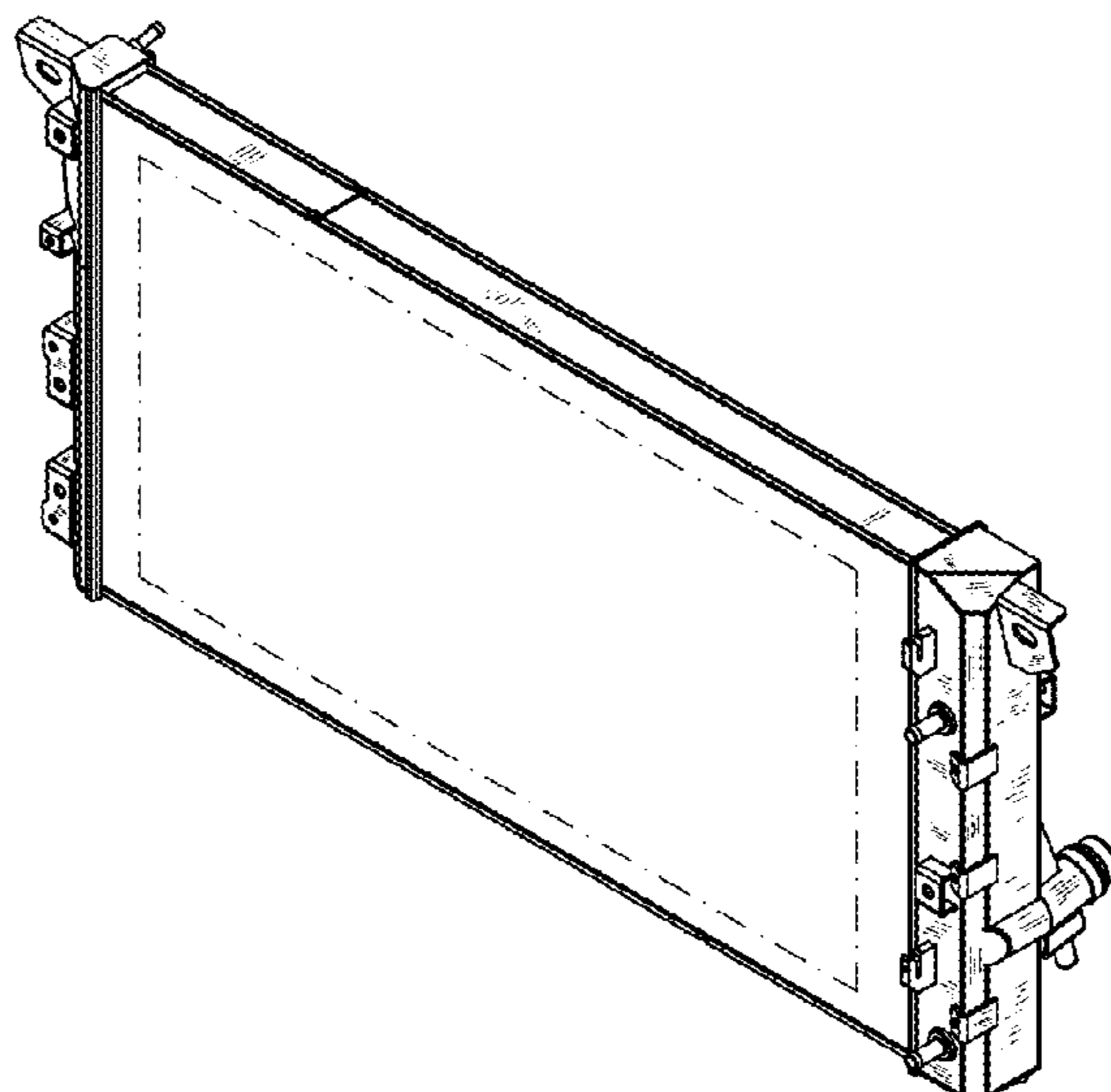
(57) **CLAIM**

The ornamental design for an automotive radiator, as shown and described.

**DESCRIPTION**

FIG. 1 is a front elevation view of an automotive radiator showing my new design;  
FIG. 2 is a rear elevation view thereof;  
FIG. 3 is a left side elevation view thereof;  
FIG. 4 is a right side elevation view thereof;  
FIG. 5 is a top plan view thereof;  
FIG. 6 is a bottom plan view thereof; and,  
FIG. 7 is a perspective view thereof.  
The dash-dot-dash lines in the drawings illustrate a boundary line, the portions of the automotive radiator within the boundary line and the boundary line form no part of the claimed design.

**1 Claim, 4 Drawing Sheets**



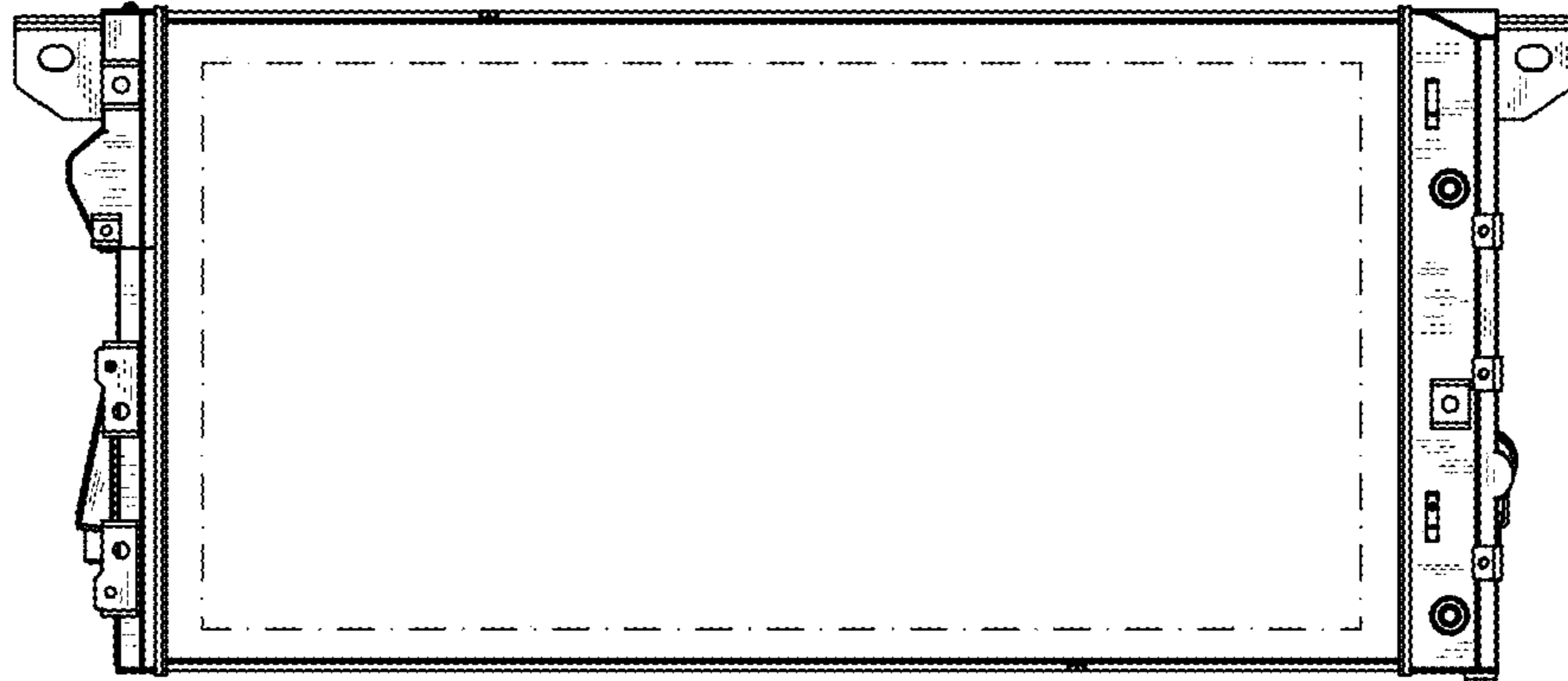


FIGURE 1

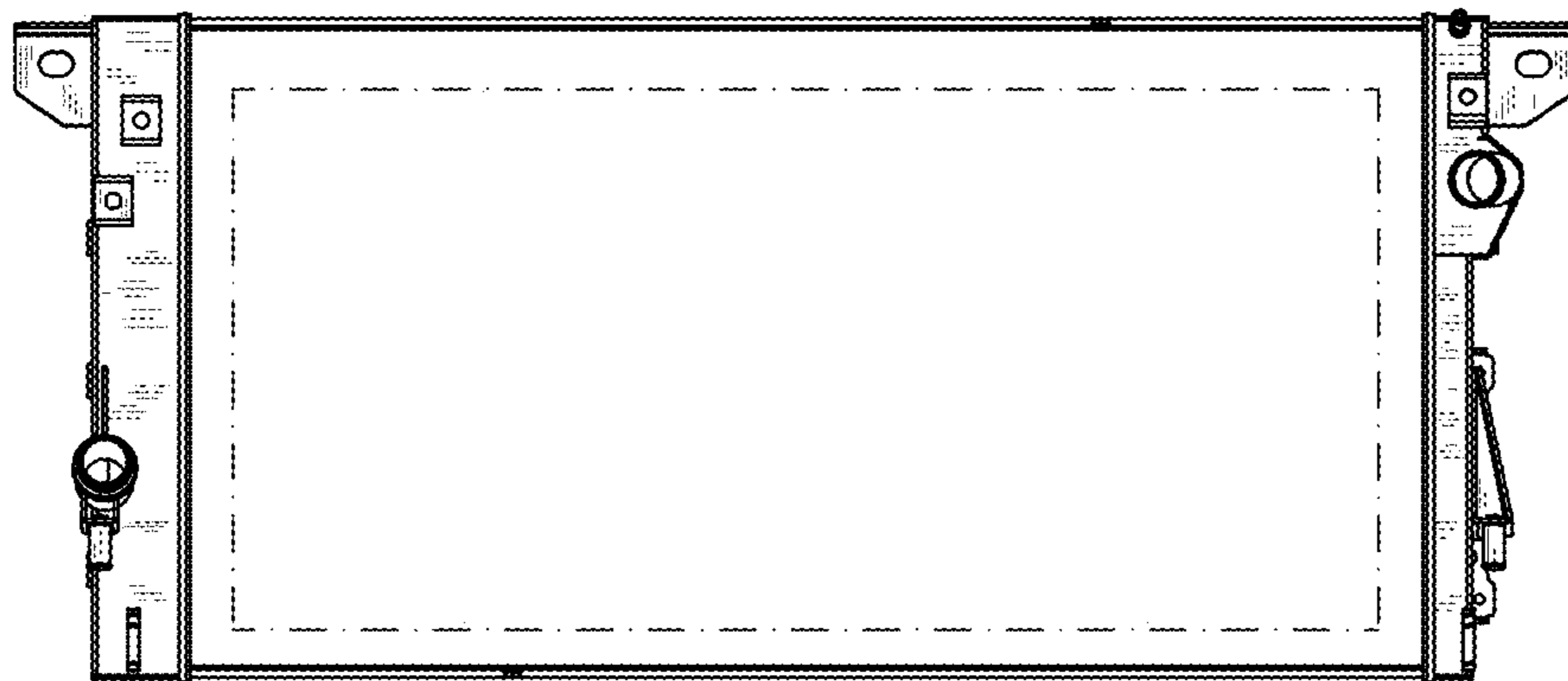


FIGURE 2

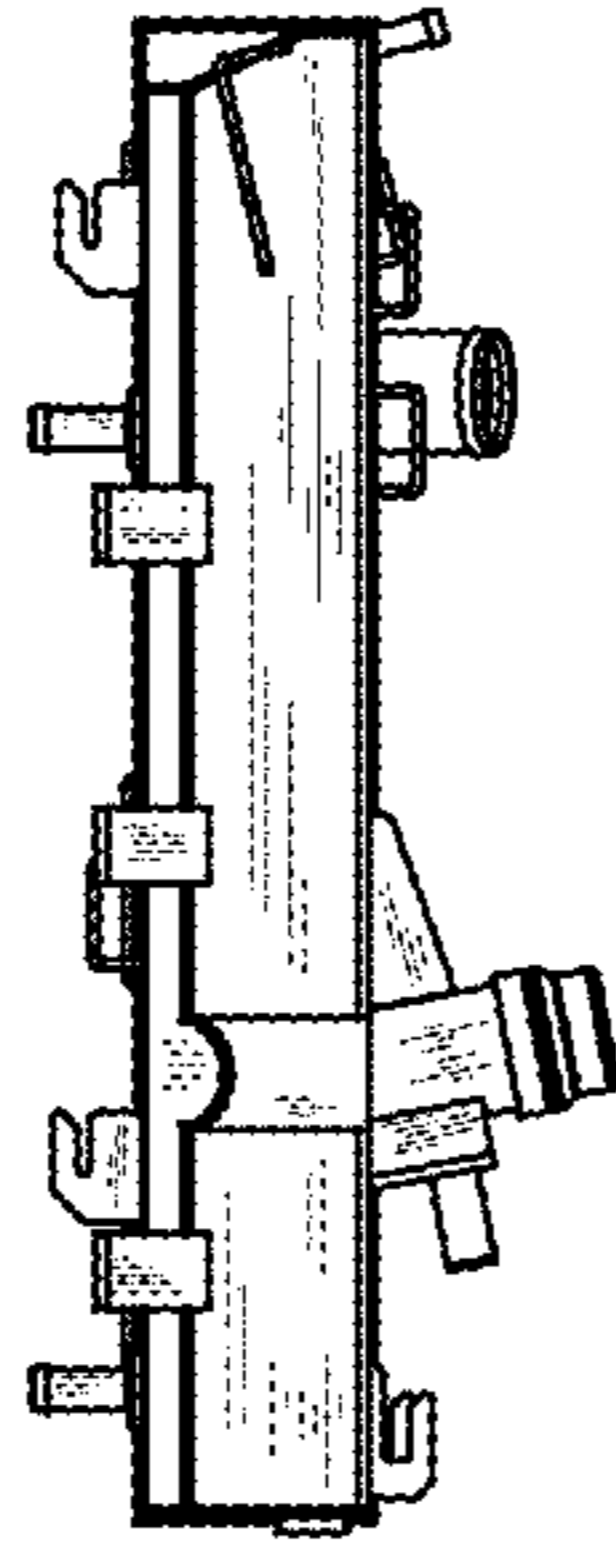


FIGURE 3

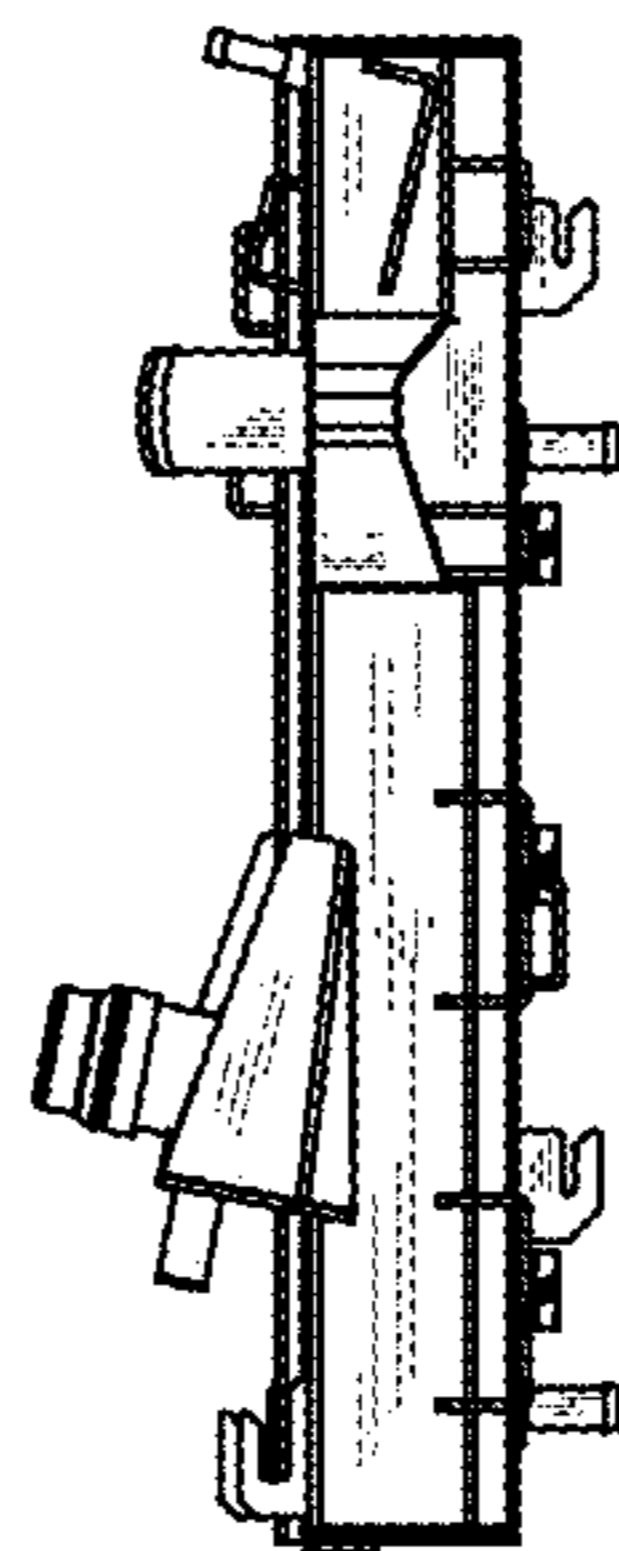


FIGURE 4

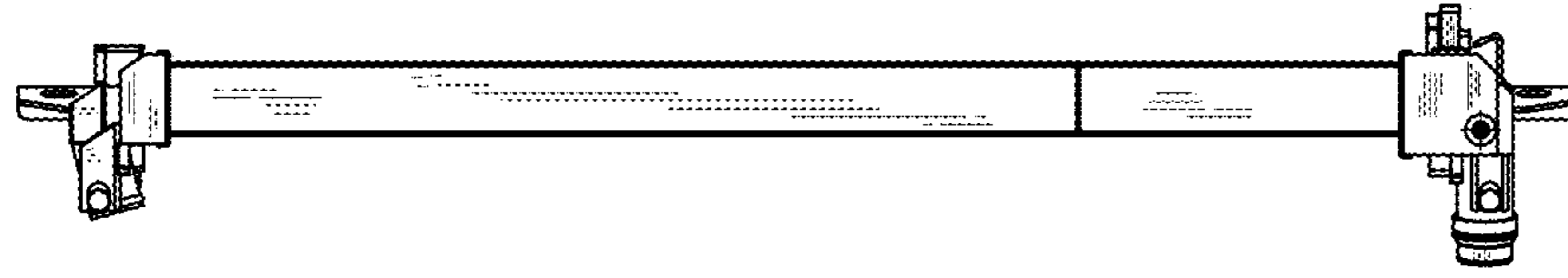


FIGURE 5

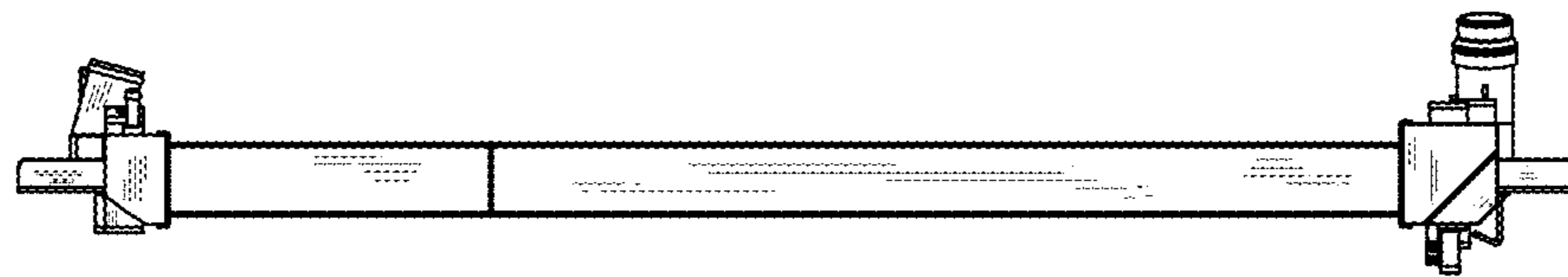


FIGURE 6

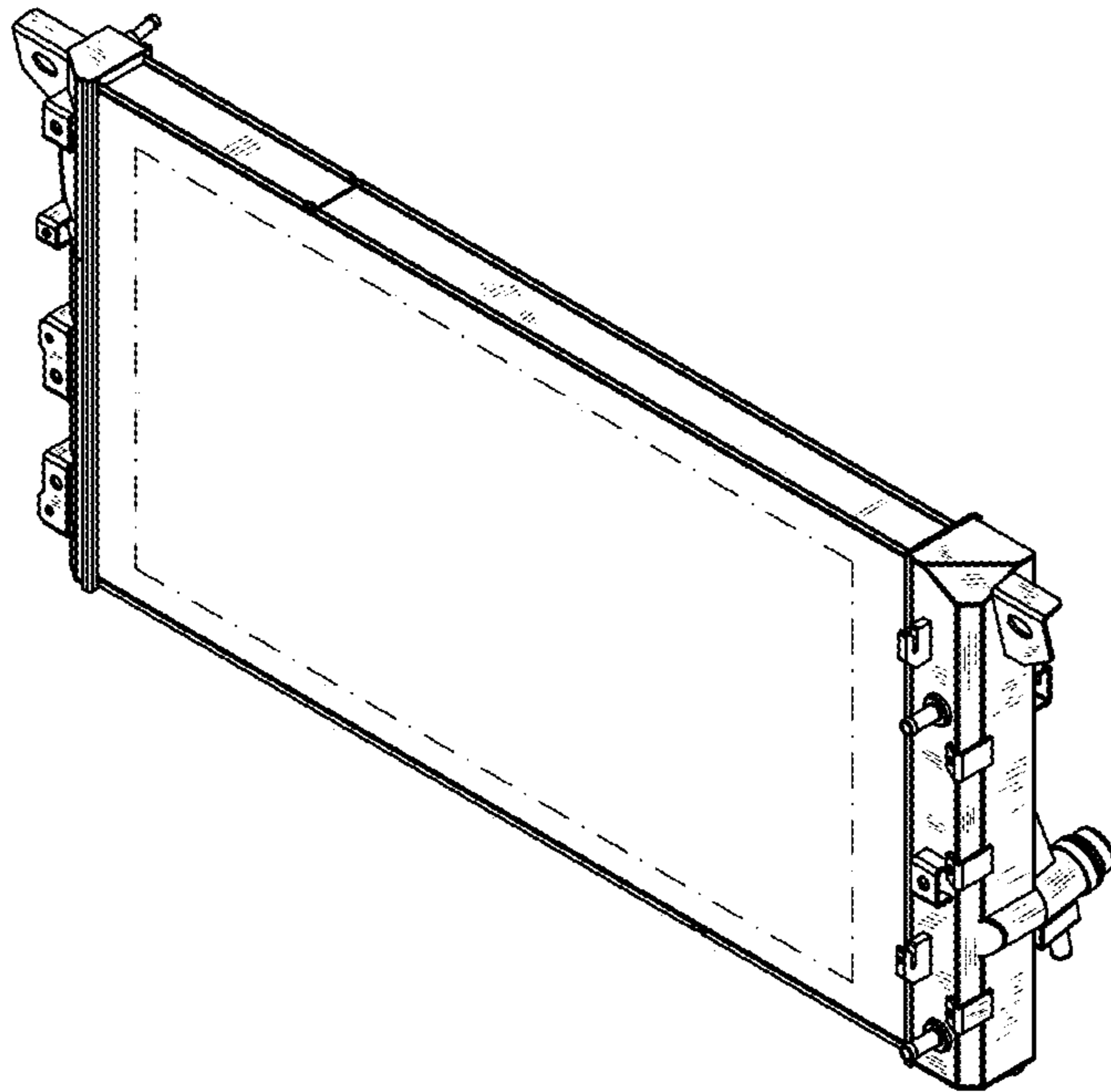


FIGURE 7