



US00D911225S

(12) **United States Design Patent**
Kim et al.

(10) **Patent No.:** **US D911,225 S**

(45) **Date of Patent:** **** Feb. 23, 2021**

(54) **CHAIN STAY**

(71) Applicant: **Super 73, Inc**, Irvine, CA (US)

(72) Inventors: **John Kim**, Irvine, CA (US); **Aaron P. Wong**, Irvine, CA (US); **Legrand Crewse**, Irvine, CA (US)

(73) Assignee: **Super 73, Inc.**, Irvine, CA (US)

(**) Term: **15 Years**

(21) Appl. No.: **29/655,277**

(22) Filed: **Jul. 2, 2018**

(51) **LOC (13) Cl.** **12-11**

(52) **U.S. Cl.**
USPC **D12/114**

(58) **Field of Classification Search**
USPC D12/1, 3, 87, 107, 110, 114, 222, 223,
D12/300-318, 400, 406, 408, 412
CPC B62K 13/02; B62K 27/12; B62J 11/00;
B62J 99/00; B60D 1/06
See application file for complete search history.

(56) **References Cited**

U.S. PATENT DOCUMENTS

4,666,175 A * 5/1987 Mueller B62K 3/02
280/281.1
D508,442 S * 8/2005 Endo D12/127
D691,927 S * 10/2013 Lumpkin D12/111

D720,657 S * 1/2015 Kahler, Jr. D12/111
D721,014 S * 1/2015 Kahler, Jr. D12/111
D735,619 S * 8/2015 Lawson D12/111
D738,261 S * 9/2015 Silva D12/111
D742,284 S * 11/2015 Strickland D12/111
9,290,229 B2 * 3/2016 Thompson B62K 15/008
D768,544 S * 10/2016 Wen D12/111
D776,014 S * 1/2017 Silva D12/111
10,071,784 B2 * 9/2018 Callahan B62K 3/06
D840,876 S * 2/2019 De Roeck D12/111

* cited by examiner

Primary Examiner — Darlington Ly

(74) *Attorney, Agent, or Firm* — Stradling Yocca Carlson & Rauth

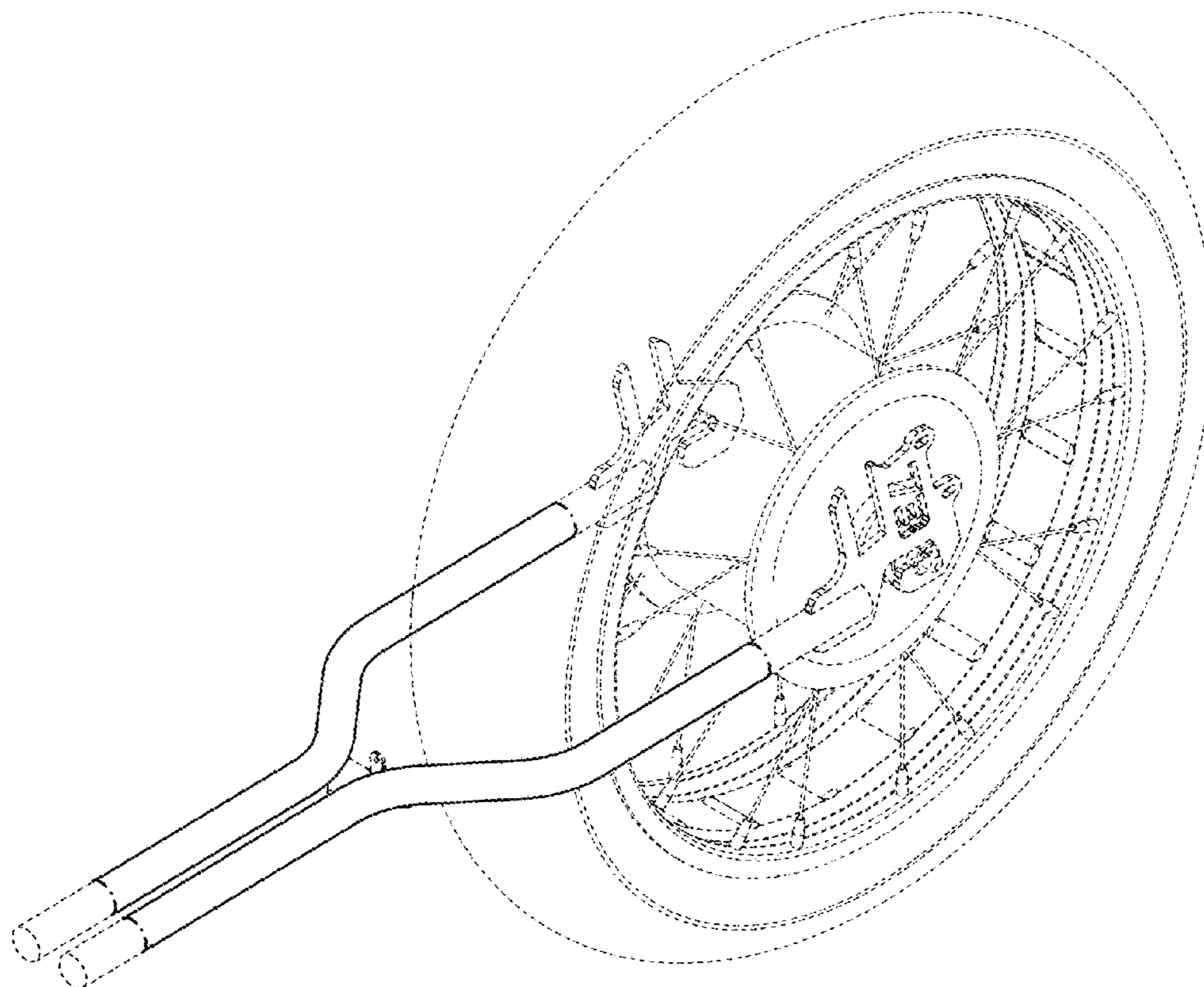
(57) **CLAIM**

The ornamental design for a chain stay, as shown and described.

DESCRIPTION

FIG. 1 is a perspective view of a chain stay showing our new design;
FIG. 2 is a front elevation view thereof
FIG. 3 is a rear elevation view thereof;
FIG. 4 is a right side elevation view thereof;
FIG. 5 is a left side elevation view thereof;
FIG. 6 is a top plan view thereof; and,
FIG. 7 is a bottom plan view thereof.
The broken lines in the drawings illustrate portions of the chain stay that form no part of the claimed design.

1 Claim, 7 Drawing Sheets



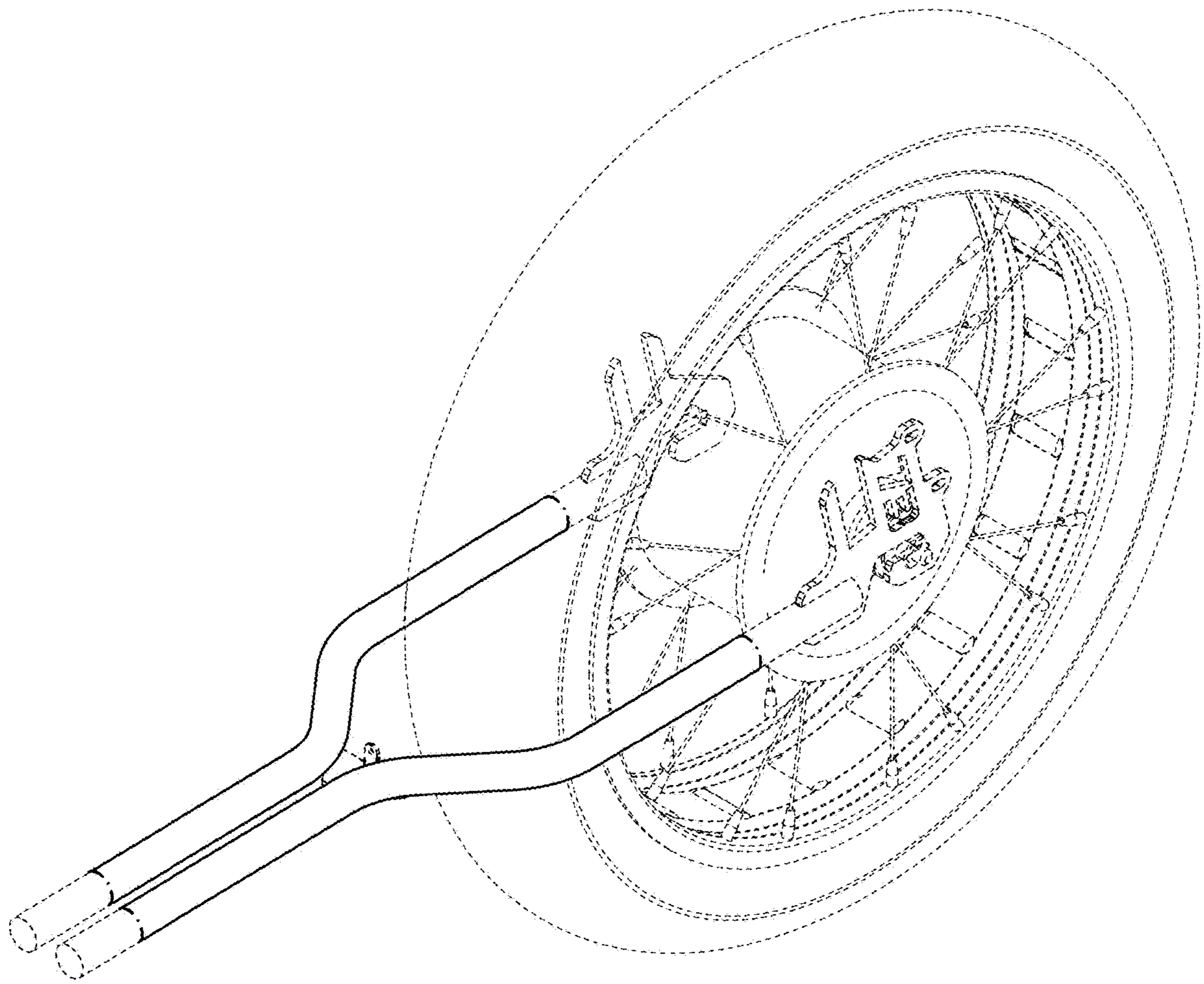


FIG. 1

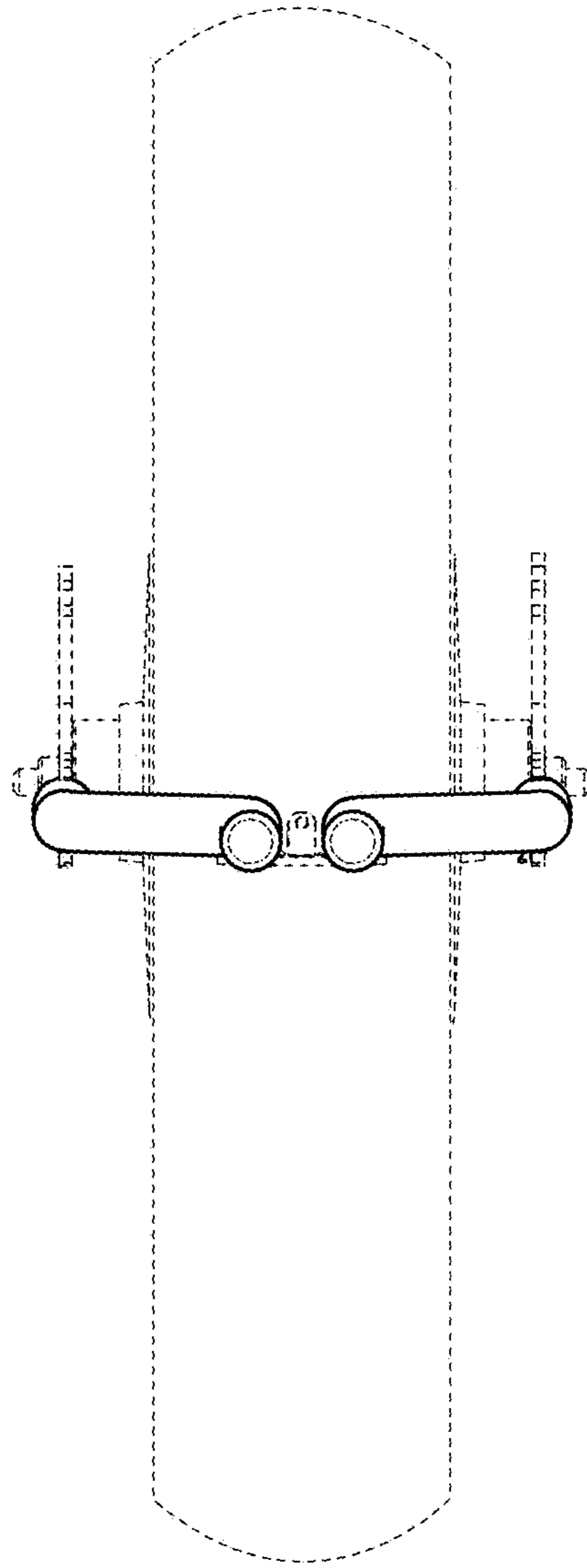


FIG. 2

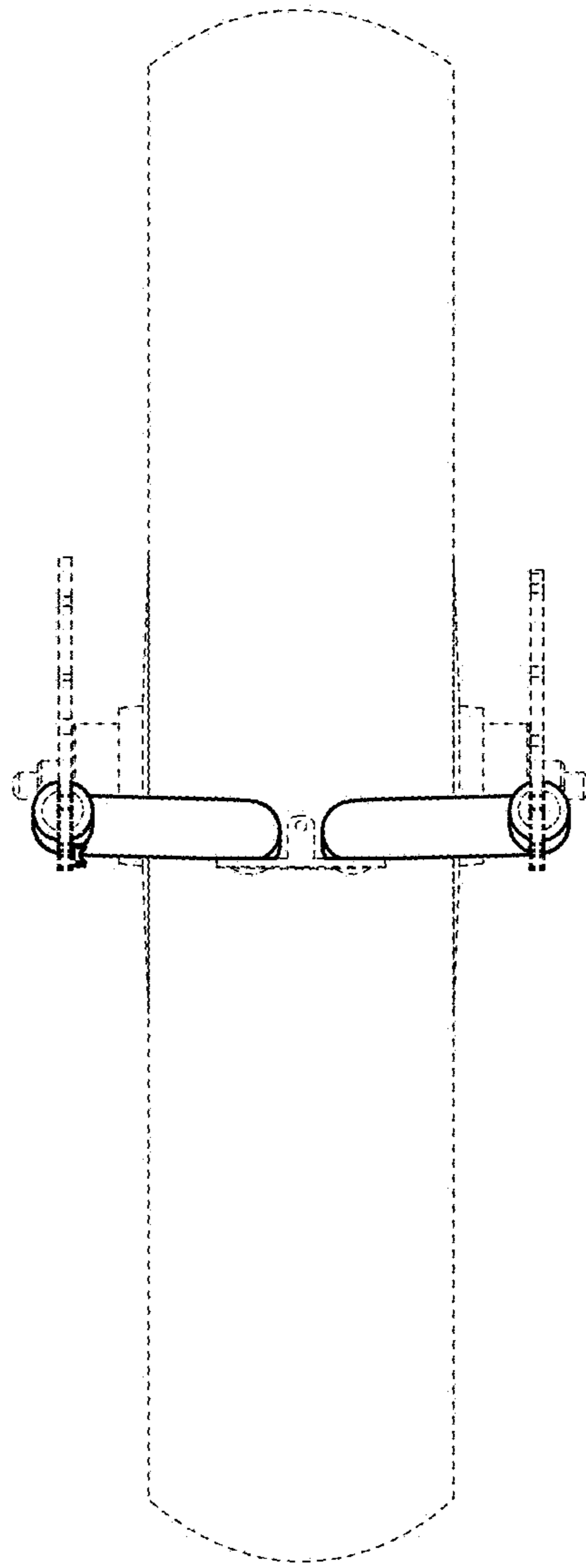


FIG. 3

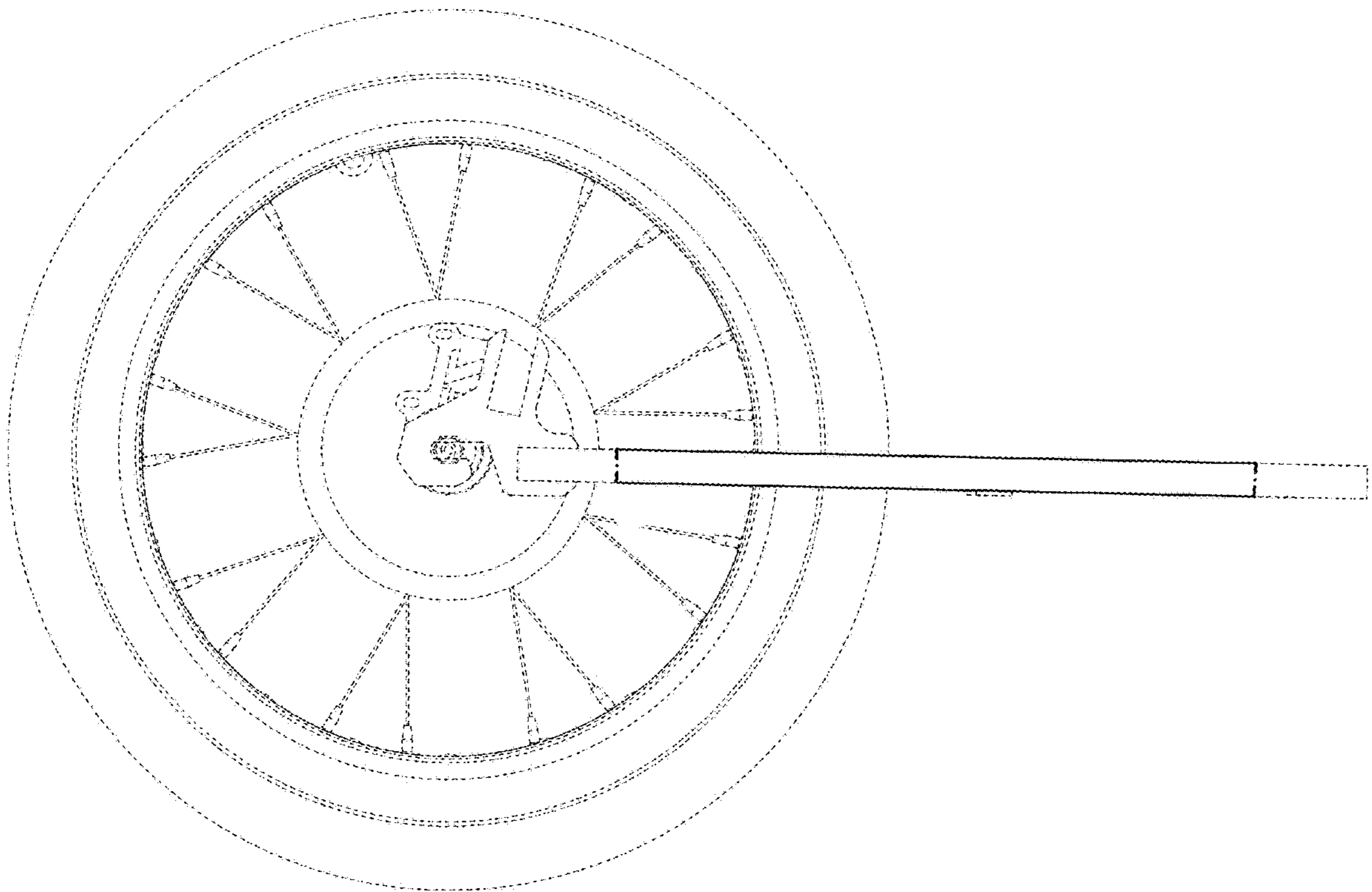


FIG. 4

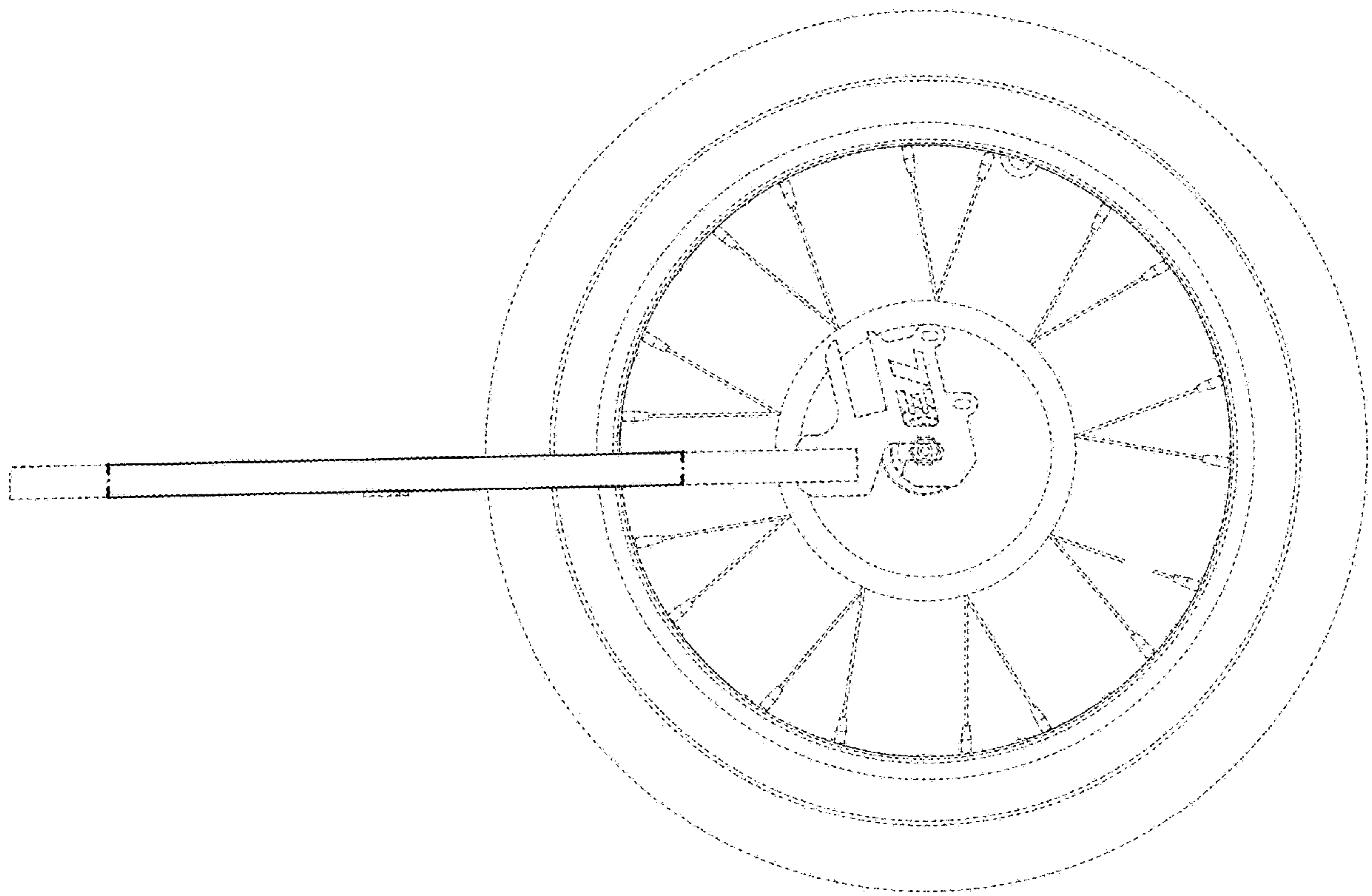


FIG. 5

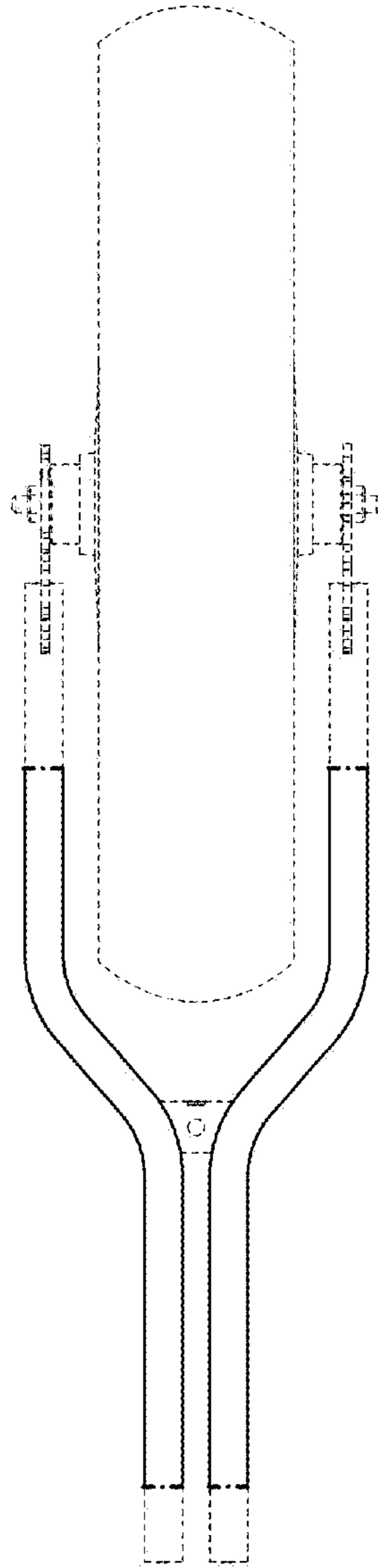


FIG. 6

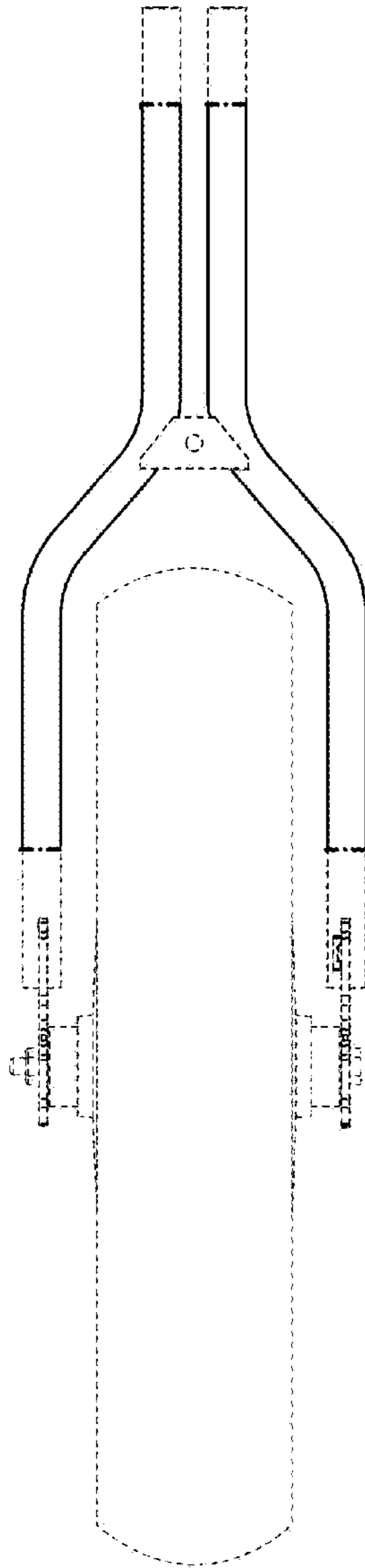


FIG. 7