



US00D911224S

(12) **United States Design Patent** (10) **Patent No.:** **US D911,224 S**
Van Kempen (45) **Date of Patent:** **** Feb. 23, 2021**

(54) **MOTORCYCLE AIR FILTER**
 (71) Applicant: **CTE Parts BV**, Leende (NL)
 (72) Inventor: **Niels Joseph Johannes Van Kempen**,
 Leende (NL)
 (73) Assignee: **CTE PARTS BV**, Leende (NL)
 (**) Term: **15 Years**
 (21) Appl. No.: **29/627,438**
 (22) Filed: **Nov. 27, 2017**
 (51) **LOC (13) Cl.** **12-11**
 (52) **U.S. Cl.**
 USPC **D12/114**
 (58) **Field of Classification Search**
 USPC D12/114, 126, 110; D23/365
 (Continued)

(56) **References Cited**
 U.S. PATENT DOCUMENTS
 D305,149 S * 12/1989 Stahel D23/364
 D354,460 S * 1/1995 Davidson D12/126
 (Continued)

Primary Examiner — Michelle E. Wilson
Assistant Examiner — Clese Moore, Jr.
 (74) *Attorney, Agent, or Firm* — Graeser Associates
 International, Inc.; Dvorah Graeser

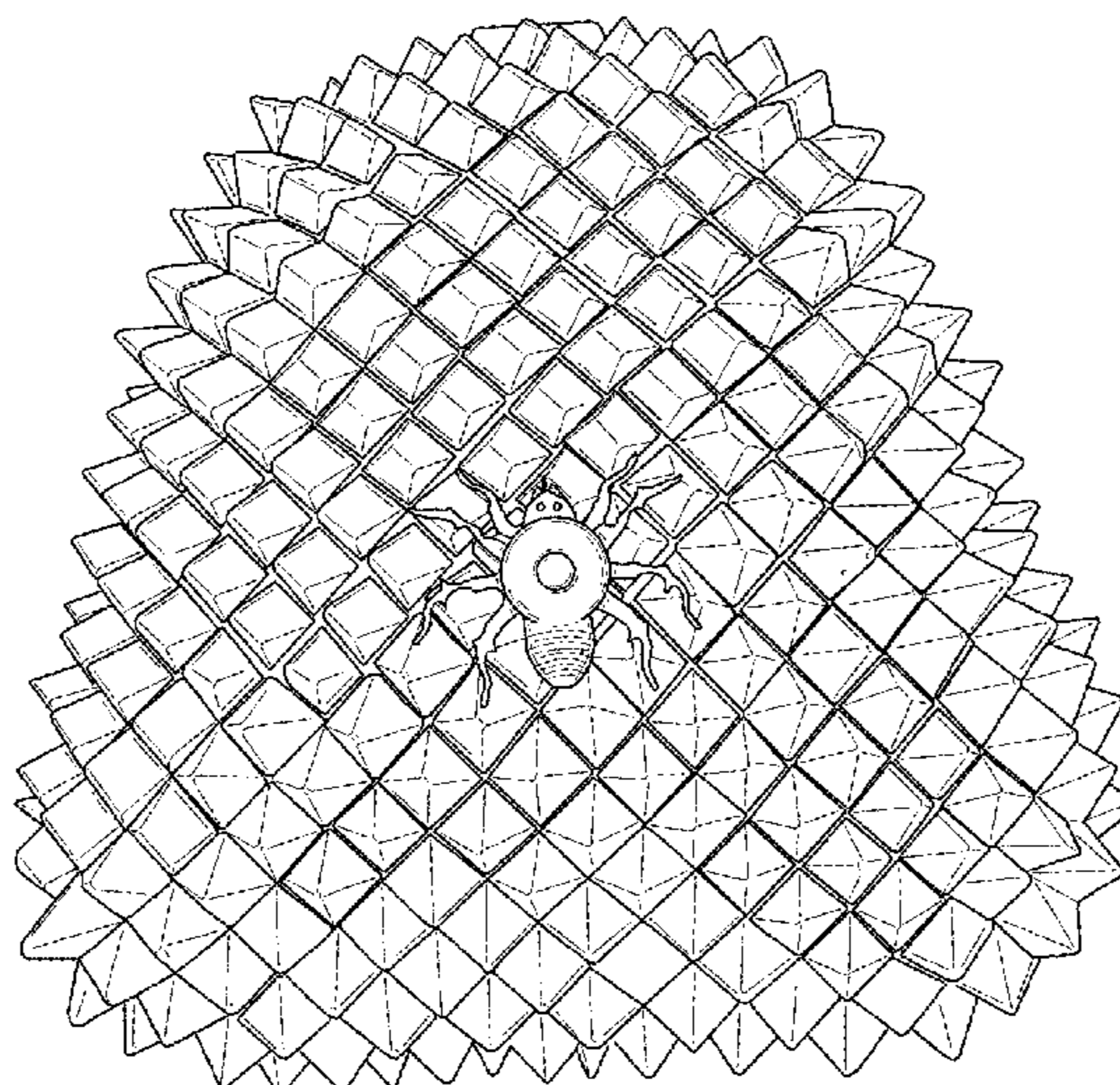
(57) **CLAIM**
 I claim the ornamental design for a motorcycle air filter,
 substantially as shown and described.

DESCRIPTION

FIG. 1 is a view of the top of an embodiment of the filter;
 FIG. 2 is an isometric view of the back of an embodiment
 of the filter;
 FIG. 3 is a view of the back of an embodiment of the filter;
 FIG. 4 is a view of the top of an embodiment of the filter;
 FIG. 5 is a view of the back of an embodiment of the filter;
 FIG. 6 is a view of the top of an embodiment of the filter;
 FIG. 7 is a view of the back of an embodiment of the filter;

FIG. 8 is a view of the top of an embodiment of the filter;
 FIG. 9 is a view of the back of an embodiment of the filter;
 FIG. 10 is a view of the top of an embodiment of the filter;
 FIG. 11 is a view of the back of an embodiment of the filter;
 FIG. 12 is a view of the top of an embodiment of the filter;
 FIG. 13 is a view of the back of an embodiment of the filter;
 FIG. 14 is a view of the top of an embodiment of the filter;
 FIG. 15 is a view of the back of an embodiment of the filter;
 FIG. 16 is a view of the top of an embodiment of the filter;
 FIG. 17 is a view of the back of an embodiment of the filter;
 FIG. 18 is a view of the top of an embodiment of the filter;
 FIG. 19 is a view of the back of an embodiment of the filter;
 FIG. 20 is a view of the top of an embodiment of the filter;
 FIG. 21 is a view of the back of an embodiment of the filter;
 FIG. 22 is a view of the top of an embodiment of the filter;
 FIG. 23 is a view of the back of an embodiment of the filter;
 FIG. 24 is a view of the top of an embodiment of the filter;
 FIG. 25 is a view of the back of an embodiment of the filter;
 FIG. 26 is a view of the top of an embodiment of the filter;
 FIG. 27 is a view of the back of an embodiment of the filter;
 FIG. 28 is a view of the top of an embodiment of the filter;
 FIG. 29 is a view of the back of an embodiment of the filter;
 FIG. 30 is a view of the top of an embodiment of the filter;
 FIG. 31 is a view of the back of an embodiment of the filter;
 FIG. 32 is a view of the top of an embodiment of the filter;
 FIG. 33 is a view of the back of an embodiment of the filter;
 FIG. 34 is a view of the top of an embodiment of the filter;
 FIG. 35 is a view of the back of an embodiment of the filter;
 FIG. 36 is a view of the top of an embodiment of the filter;
 FIG. 37 is a view of the back of an embodiment of the filter;
 FIG. 38 is a view of the top of an embodiment of the filter;
 FIG. 39 is a view of the back of an embodiment of the filter;
 FIG. 40 is a view of the top of an embodiment of the filter;
 FIG. 41 is a view of the back of an embodiment of the filter;
 FIG. 42 is a view of the top of an embodiment of the filter;
 FIG. 43 is a view of the top of an embodiment of the filter;
 FIG. 44 is a view of the back of an embodiment of the filter;
 FIG. 45 is a view of the back of an embodiment of the filter;
 FIG. 46 is a view of the top of an embodiment of the filter;
 FIG. 47 is a view of the top of an embodiment of the filter;
 and,
 FIG. 48 is a view of the back of an embodiment of the filter.
 All surfaces not shown form no part of the claimed design.

1 Claim, 24 Drawing Sheets



(58) **Field of Classification Search**

CPC F02M 35/02; F02M 35/024; B62K 11/04;
B62K 11/00

See application file for complete search history.

(56) **References Cited**

U.S. PATENT DOCUMENTS

D390,507	S	*	2/1998	Hoagland, IV	D12/126
D422,537	S	*	4/2000	Pink	D12/126
D445,365	S	*	7/2001	Davidson	D12/126
D446,753	S	*	8/2001	Golden	D12/126
D489,651	S	*	5/2004	Young	D12/126
D490,346	S	*	5/2004	Young	D12/126
D491,113	S	*	6/2004	Nelson	D12/126
D502,432	S	*	3/2005	Yamaguchi	D12/126
D510,301	S	*	10/2005	Schmidt	D12/126
D518,420	S	*	4/2006	Schmidt	D12/126
D522,931	S	*	6/2006	Simpson	D12/126
D528,478	S	*	9/2006	Busse	D12/126
D544,083	S	*	6/2007	Walser	D12/114
D564,420	S	*	3/2008	Devlin	D12/126
D588,963	S	*	3/2009	Uemoto	D12/114
D600,599	S	*	9/2009	Watanabe	D12/126
D676,361	S	*	2/2013	Louden	D12/126
D683,666	S	*	6/2013	Hemingway	D12/126
D684,098	S	*	6/2013	Hemingway	D12/126
D706,177	S	*	6/2014	Finnie	D12/126
D776,018	S	*	1/2017	Kiska	D12/126
D800,609	S	*	10/2017	Trask	D12/110

* cited by examiner

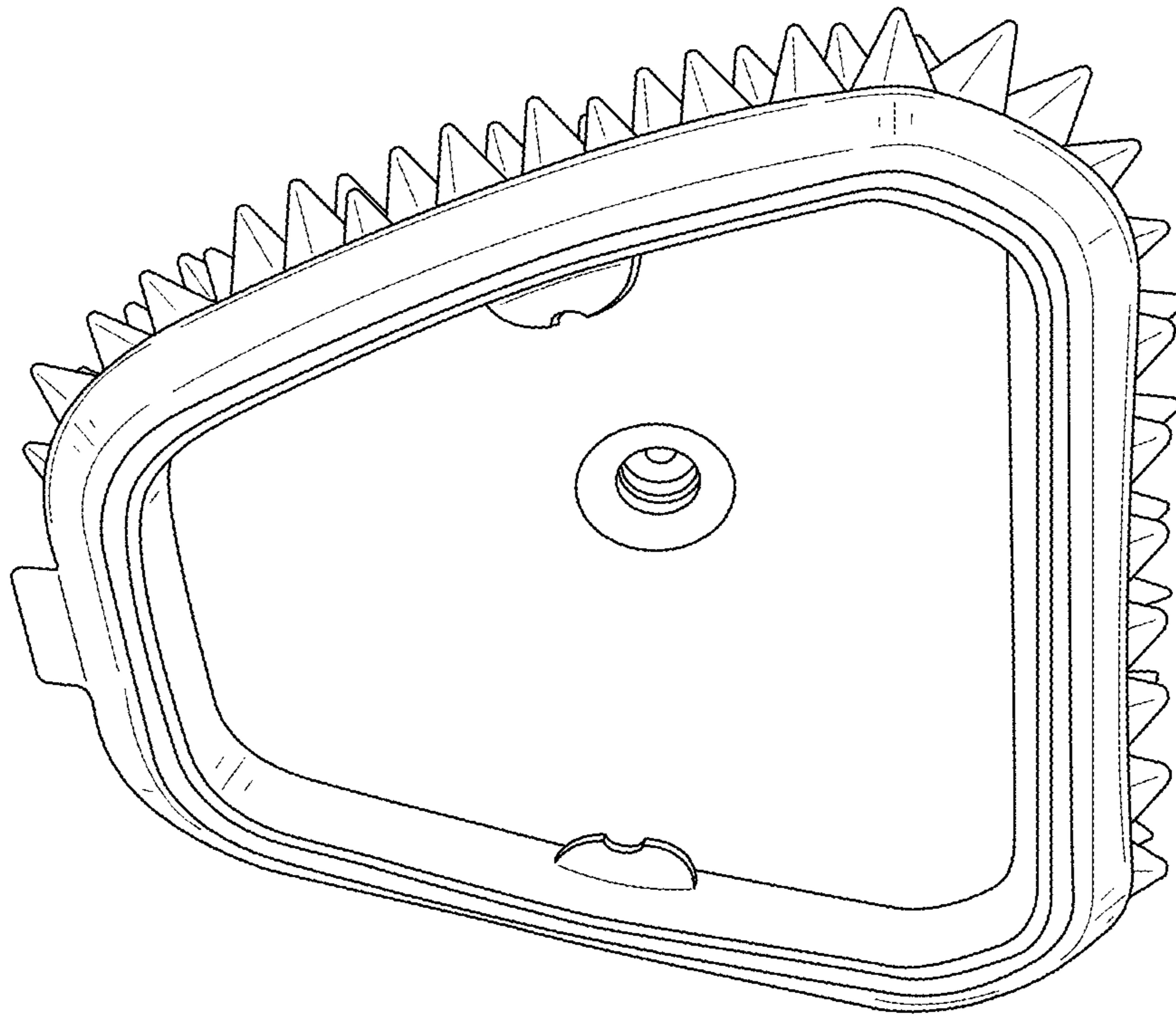


FIG. 2

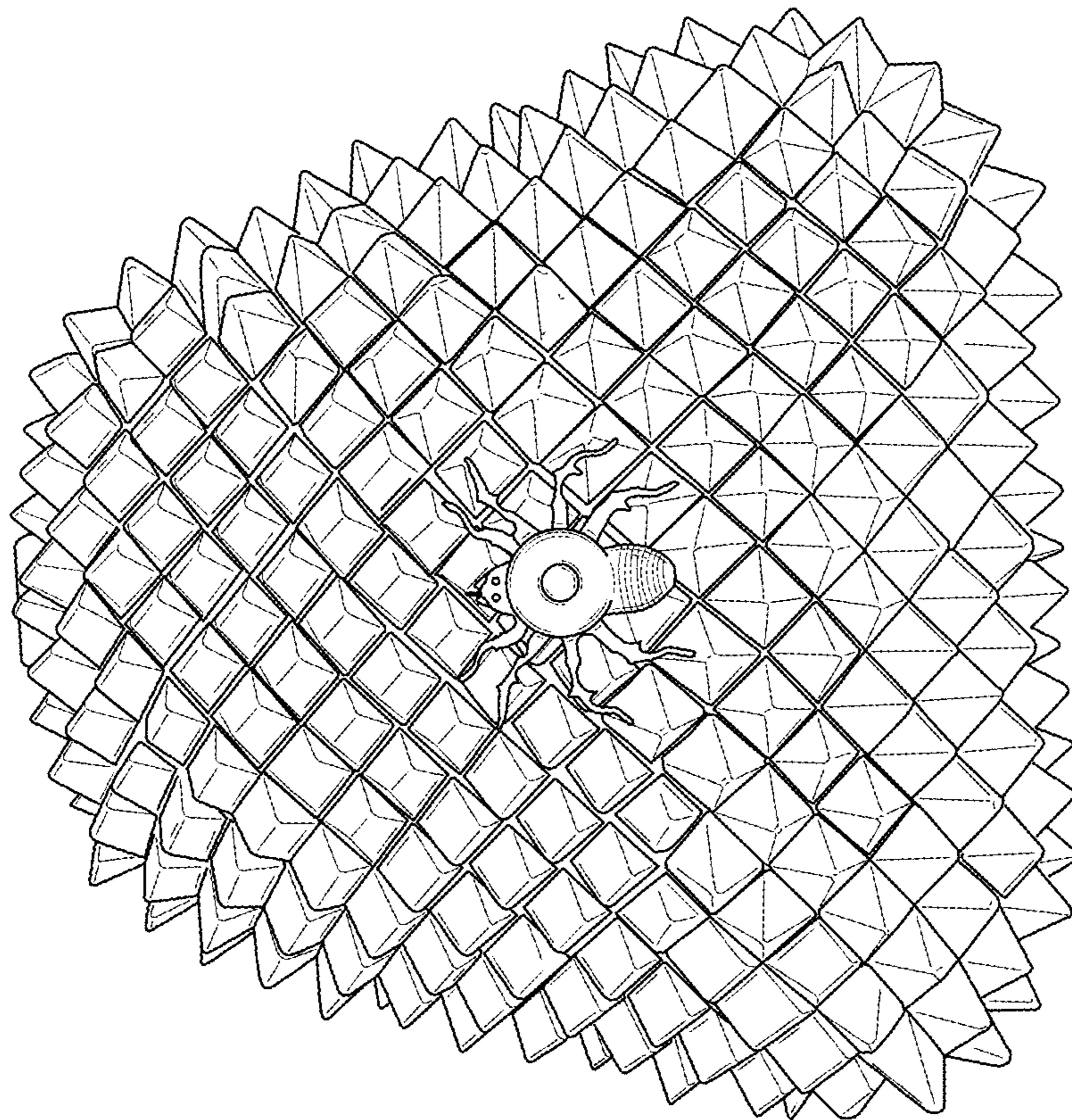


FIG. 1

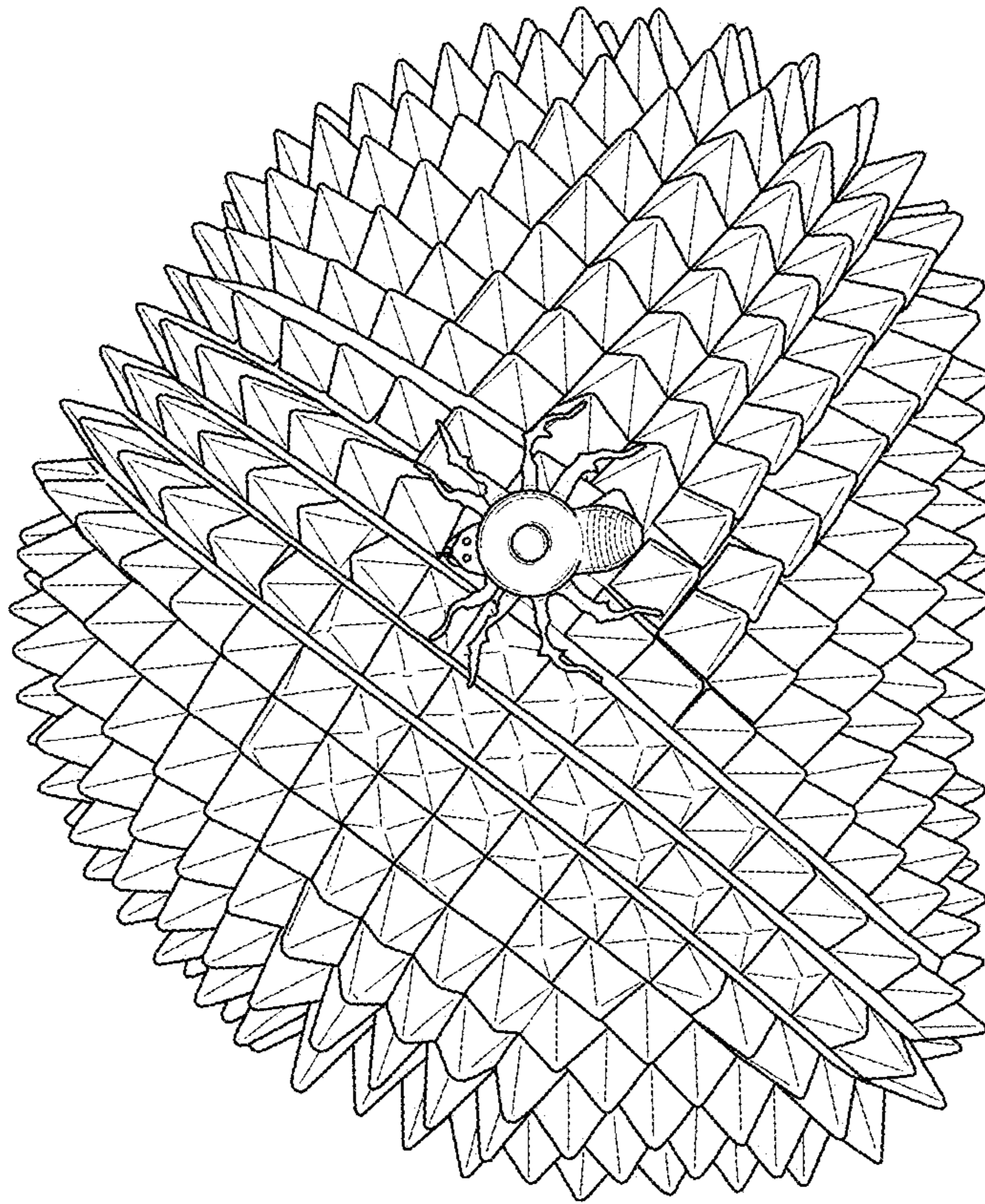


FIG. 4

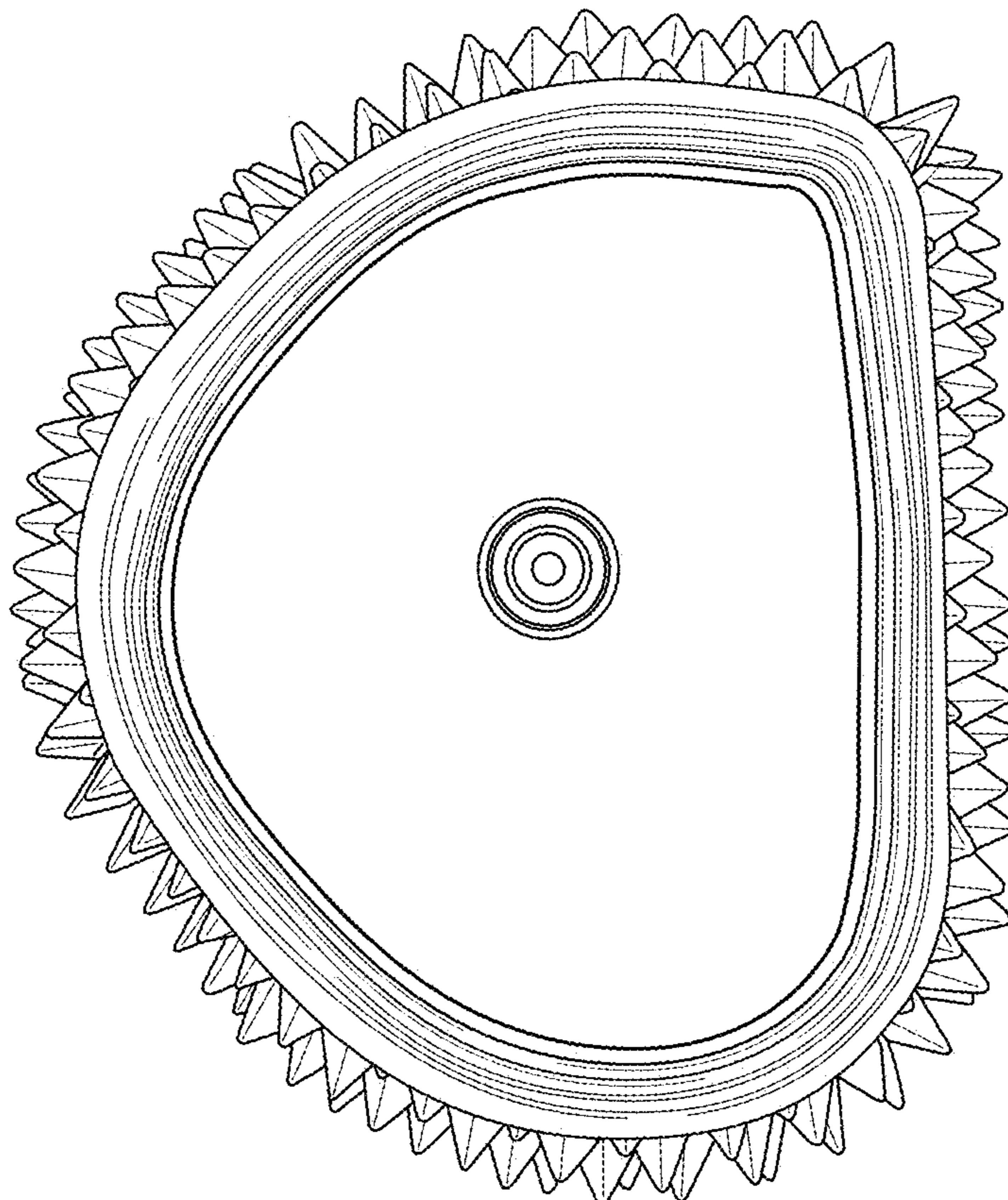


FIG. 3

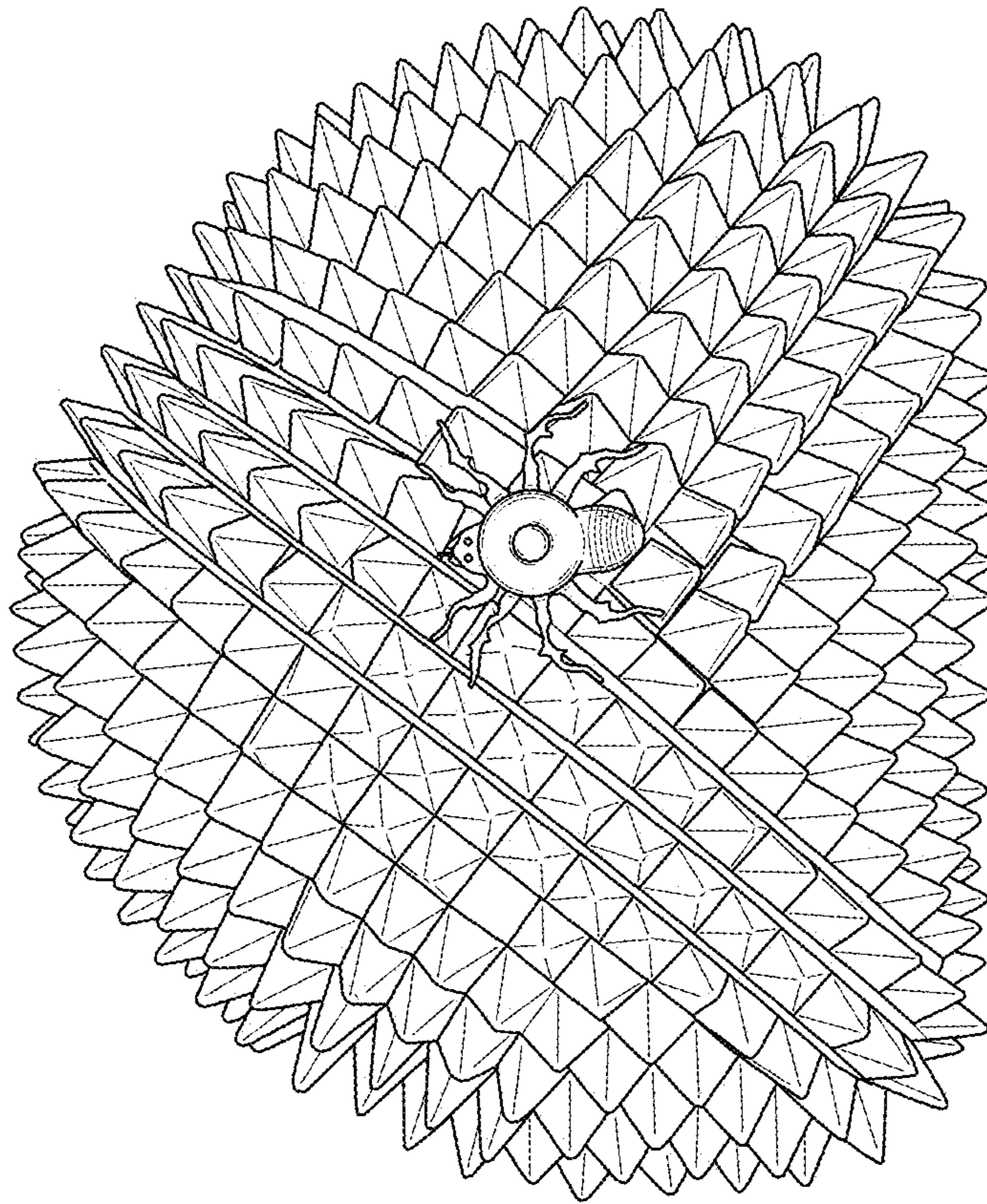


FIG. 6

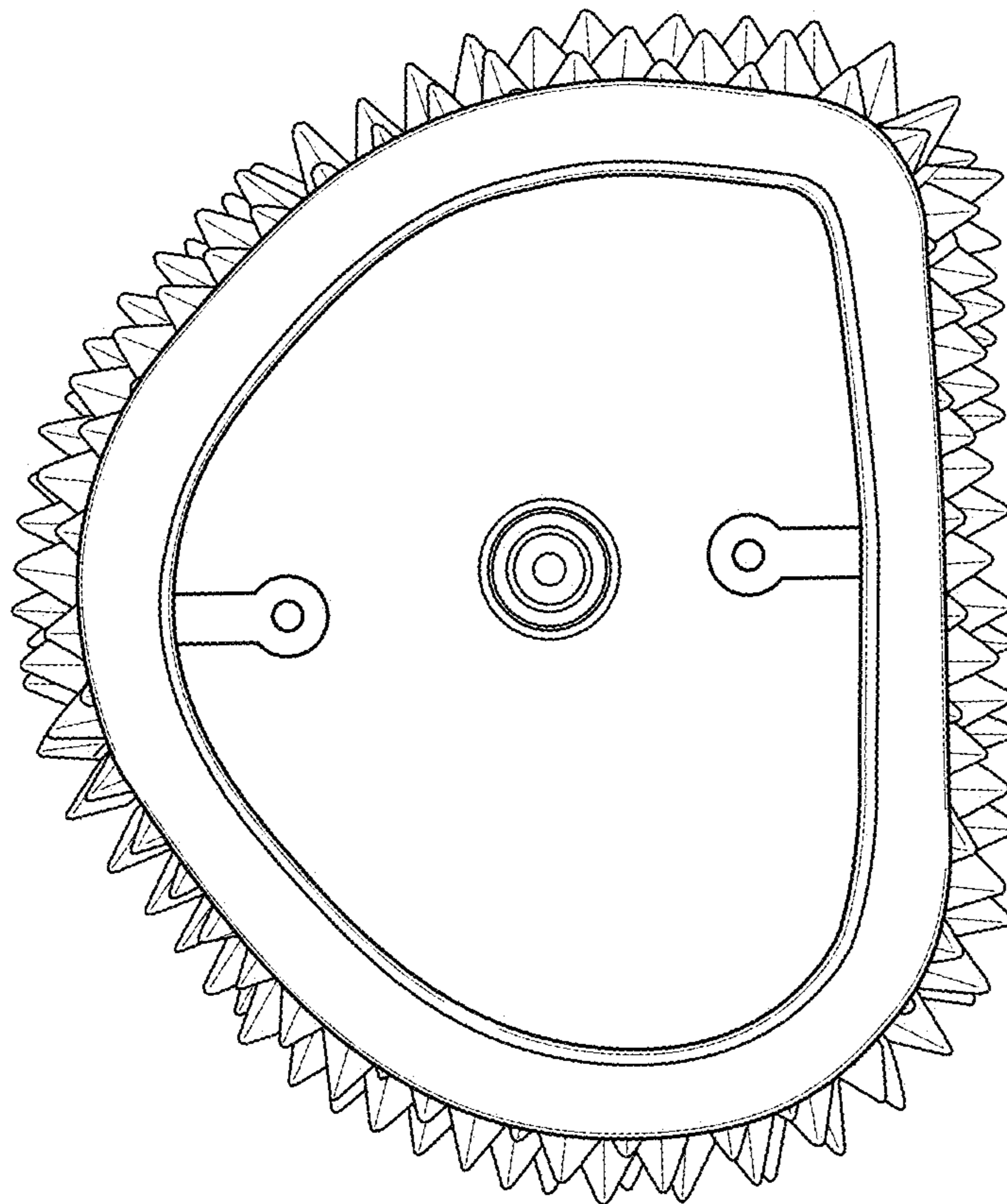


FIG. 5

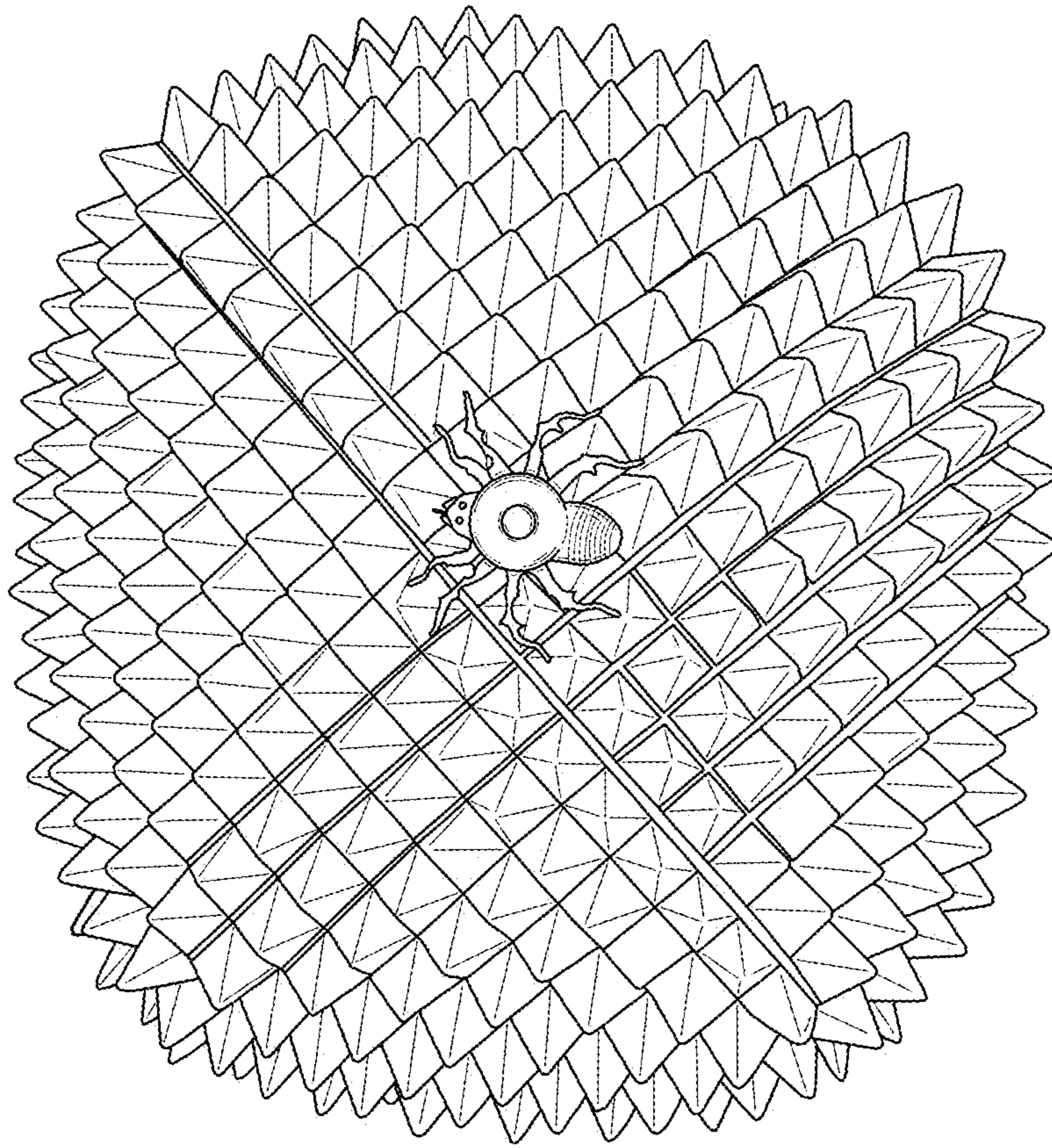


FIG. 8

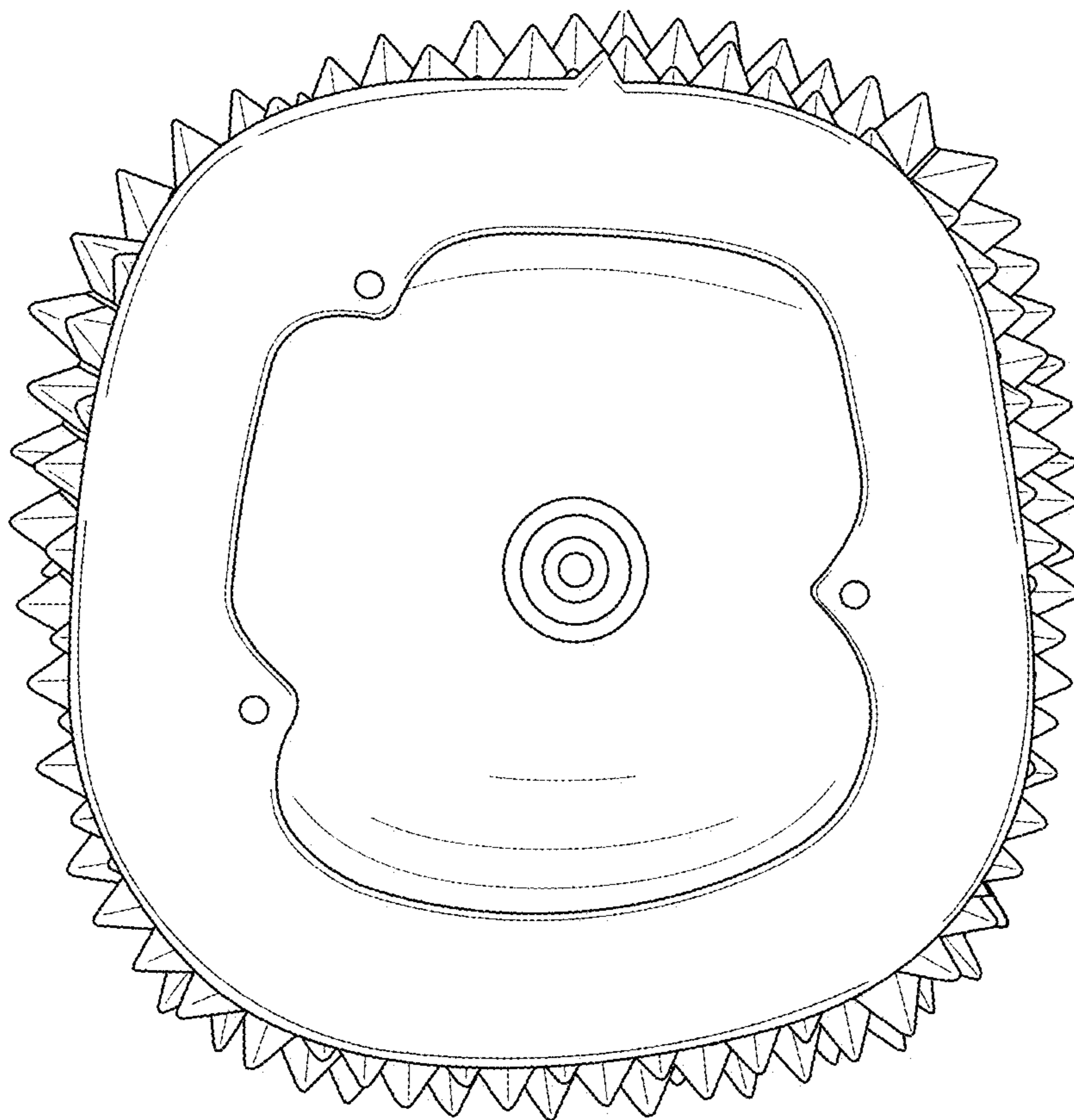


FIG. 7

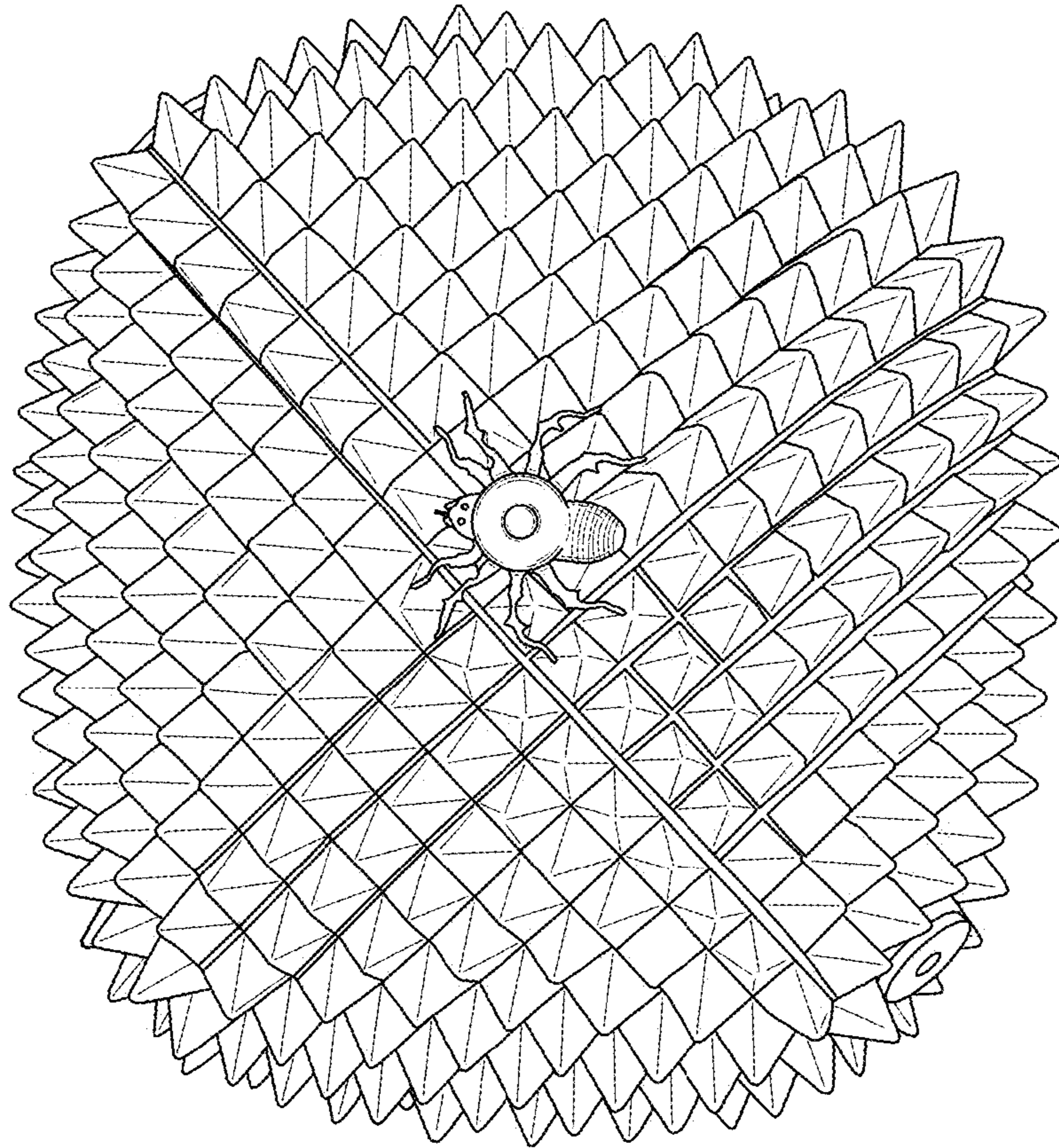


FIG. 10

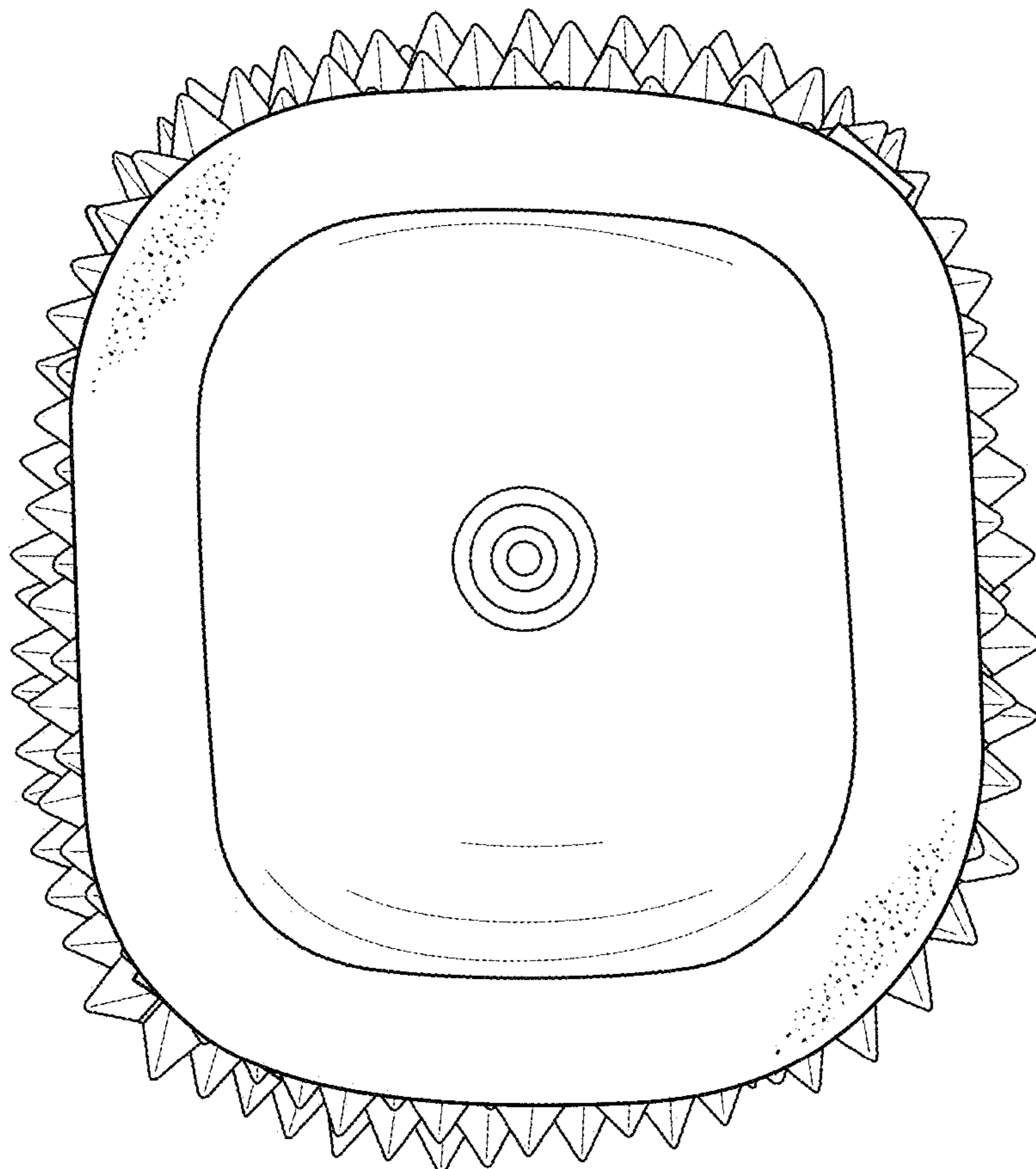


FIG. 9

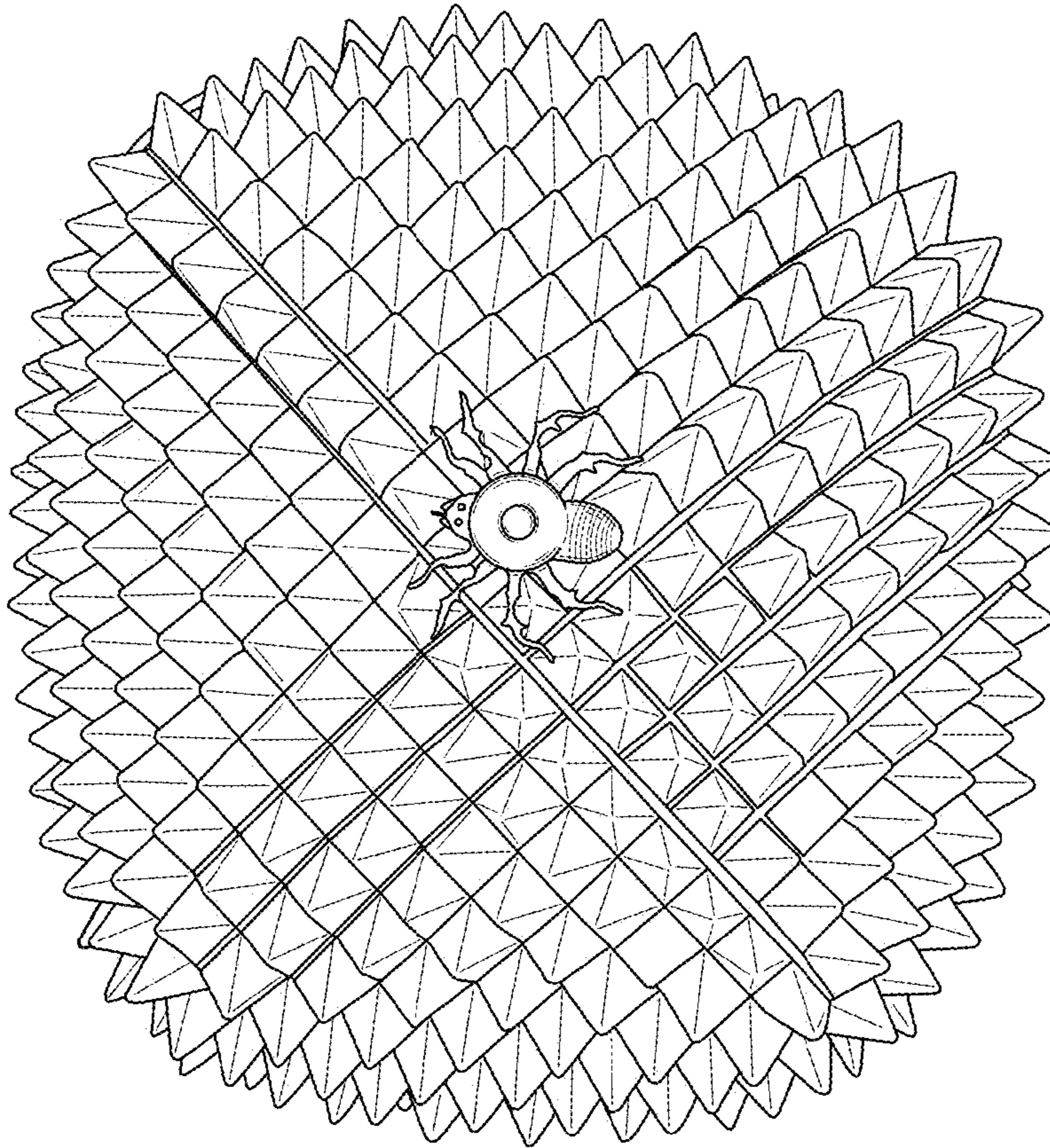


FIG. 12

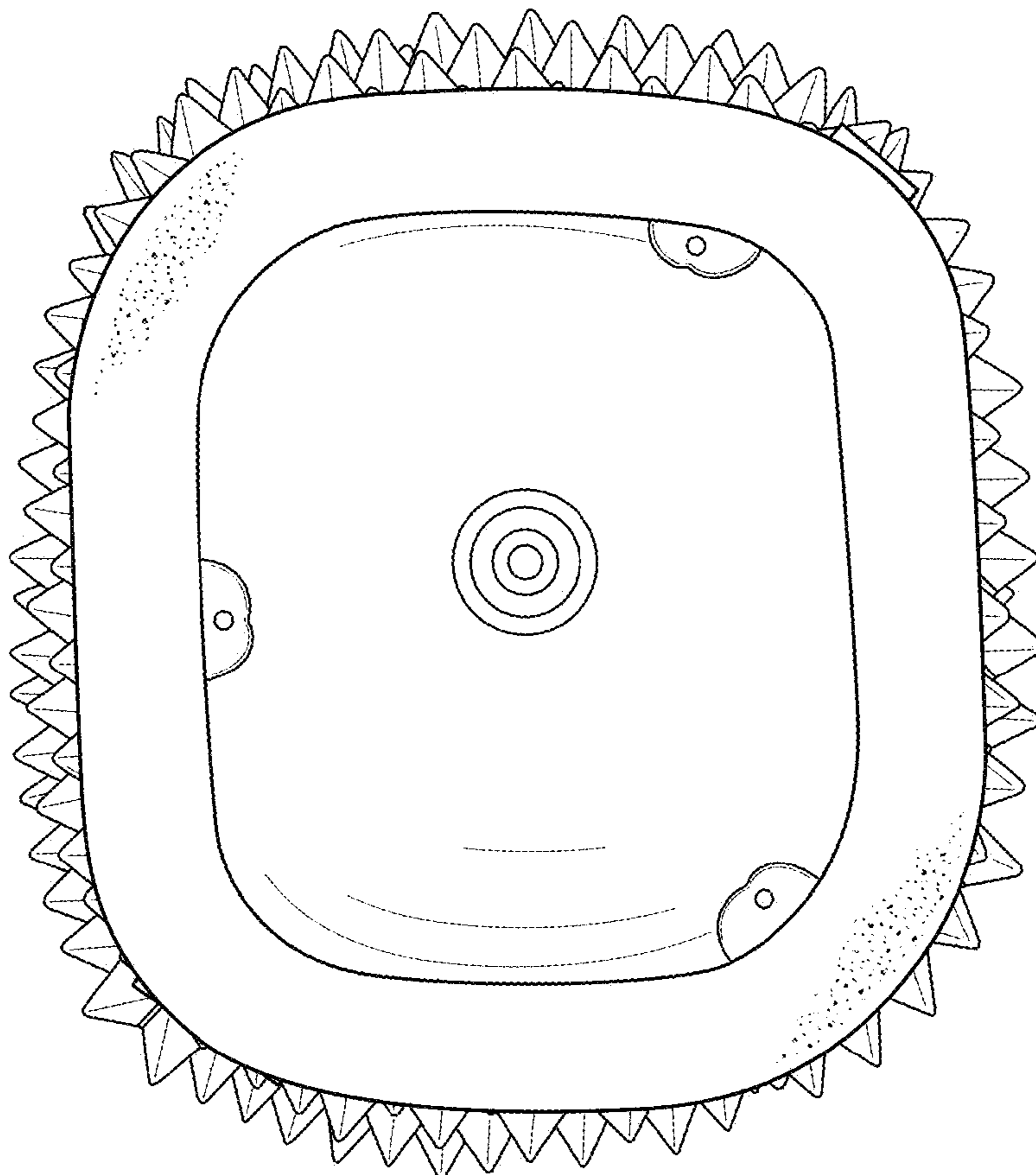


FIG. 11

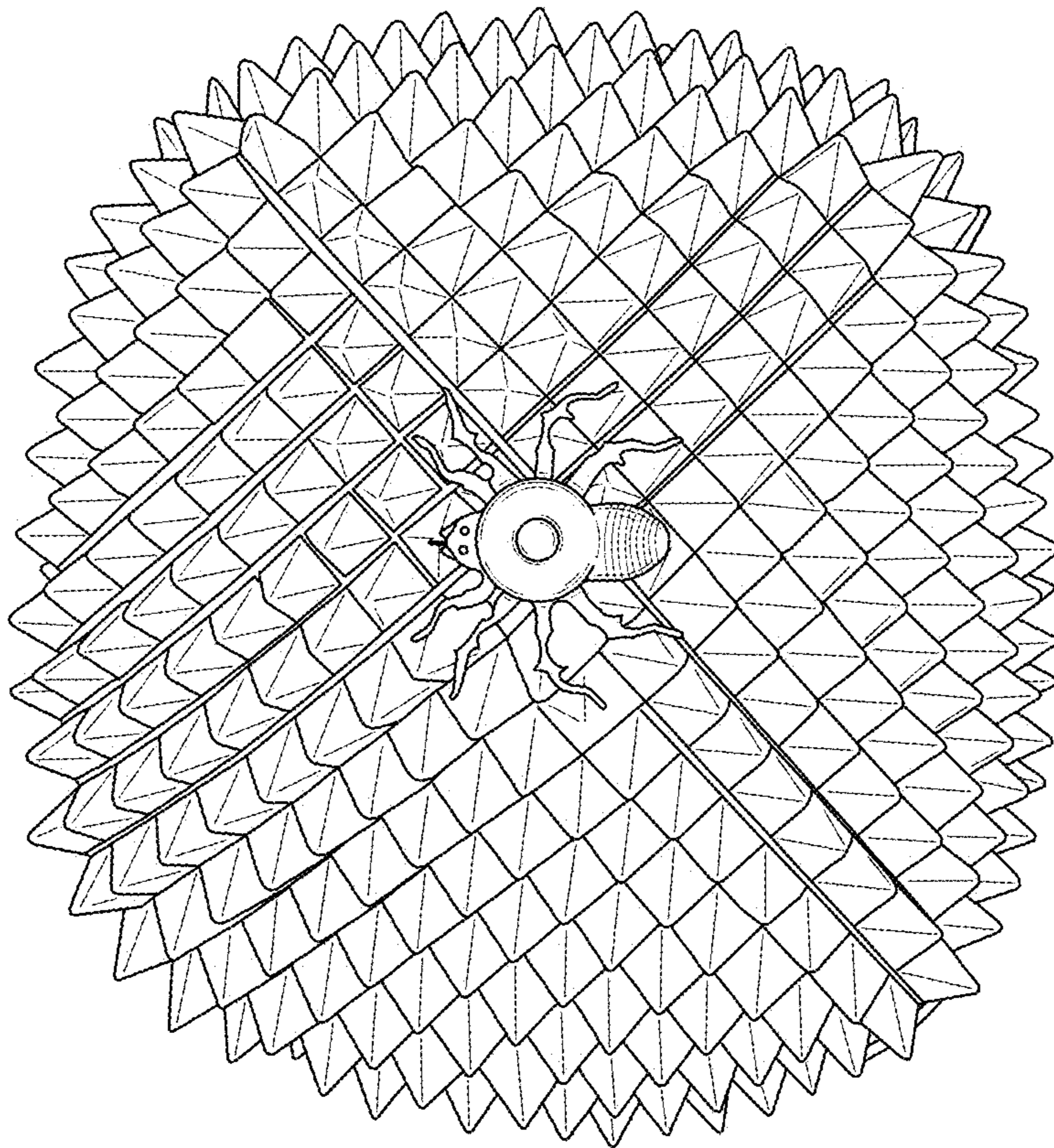


FIG. 14

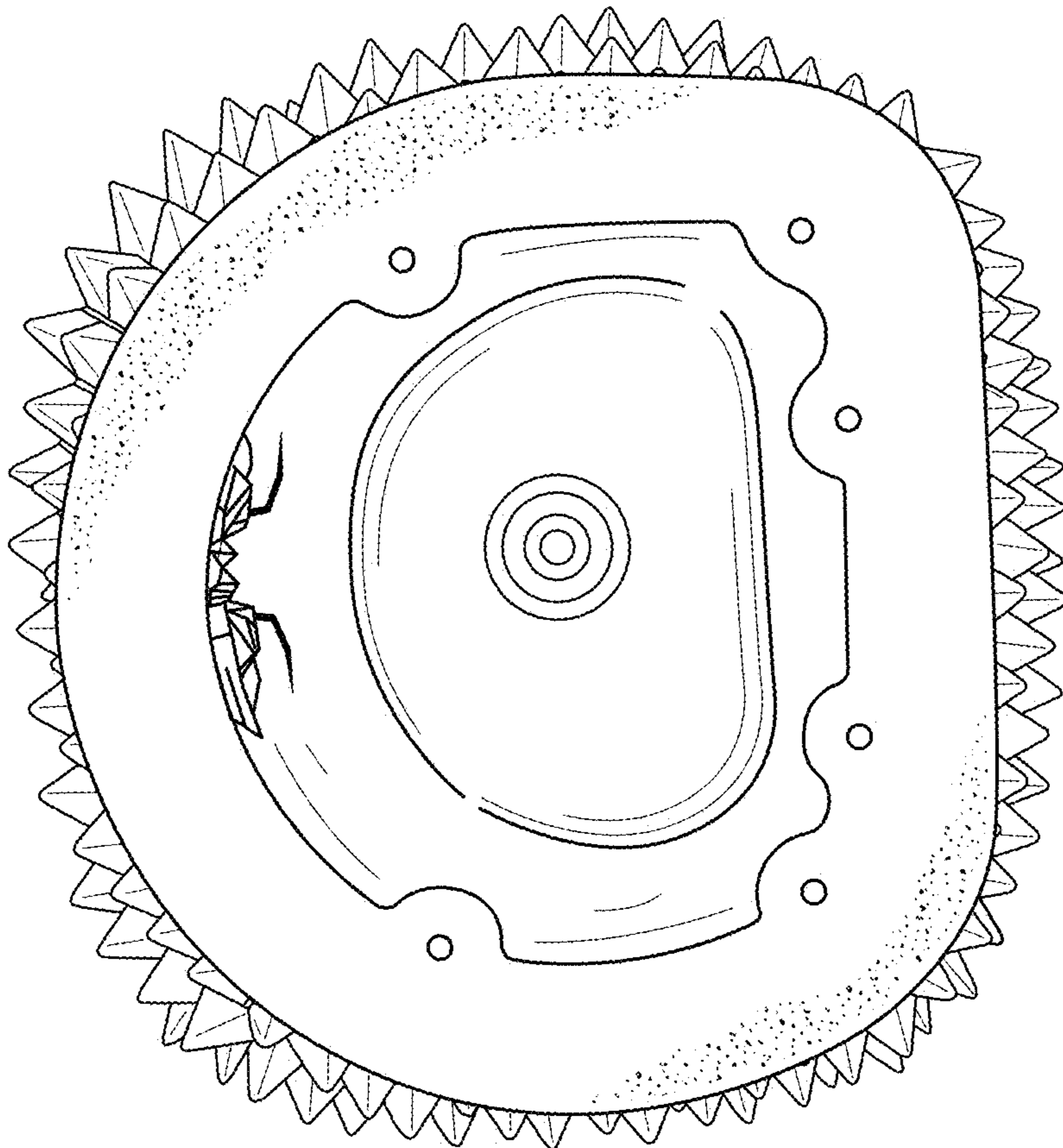


FIG. 13

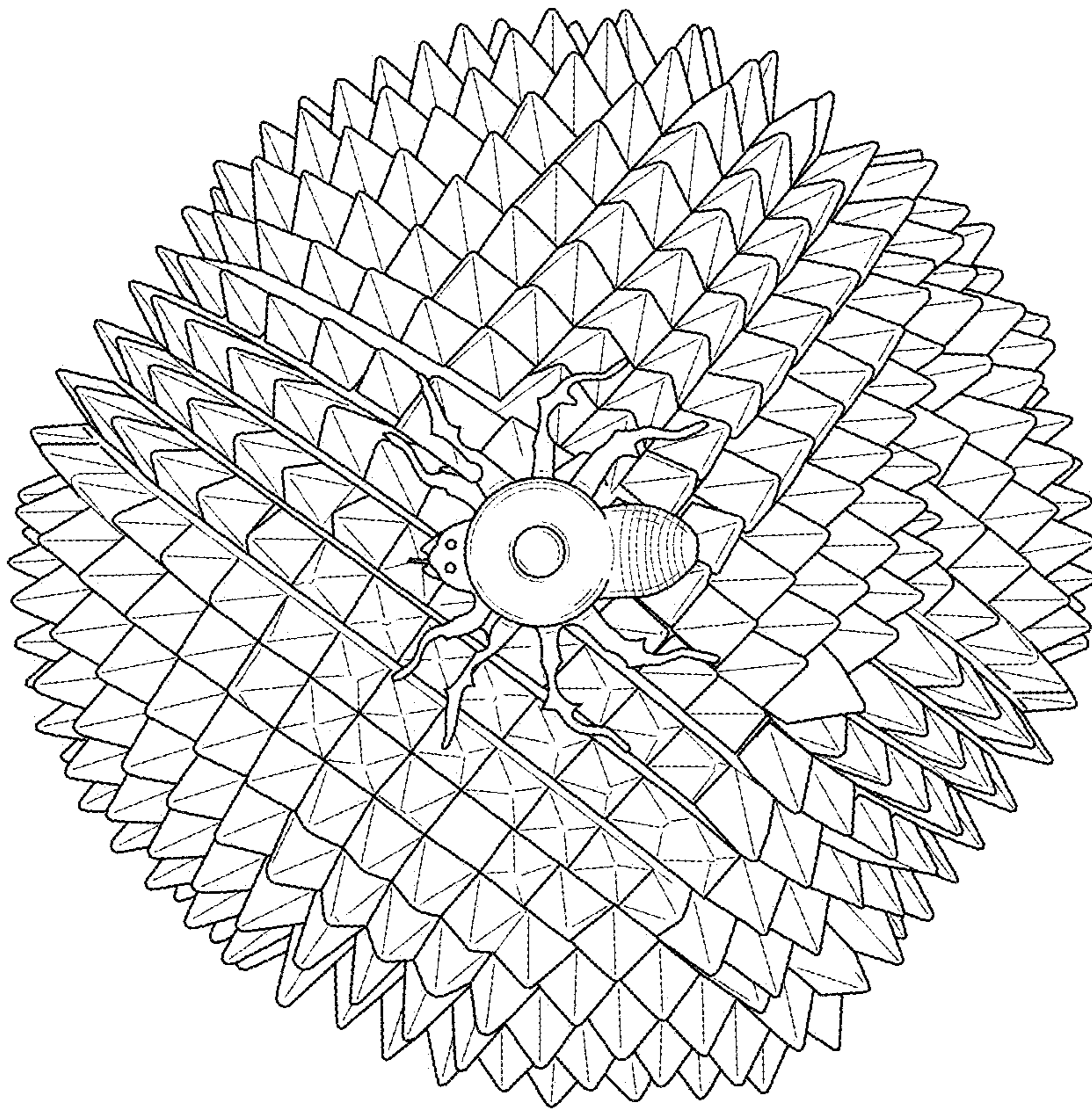


FIG. 16

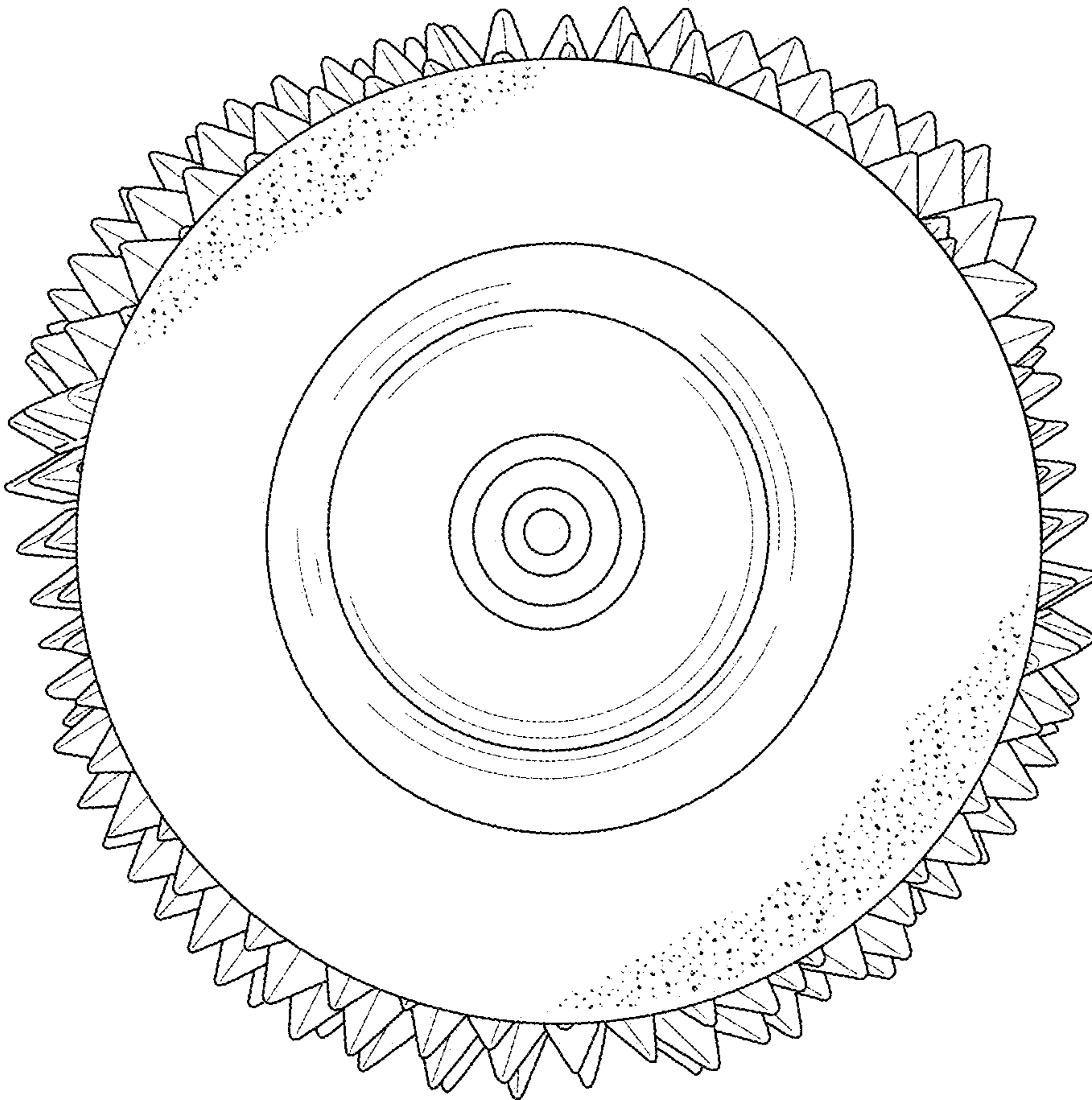


FIG. 15

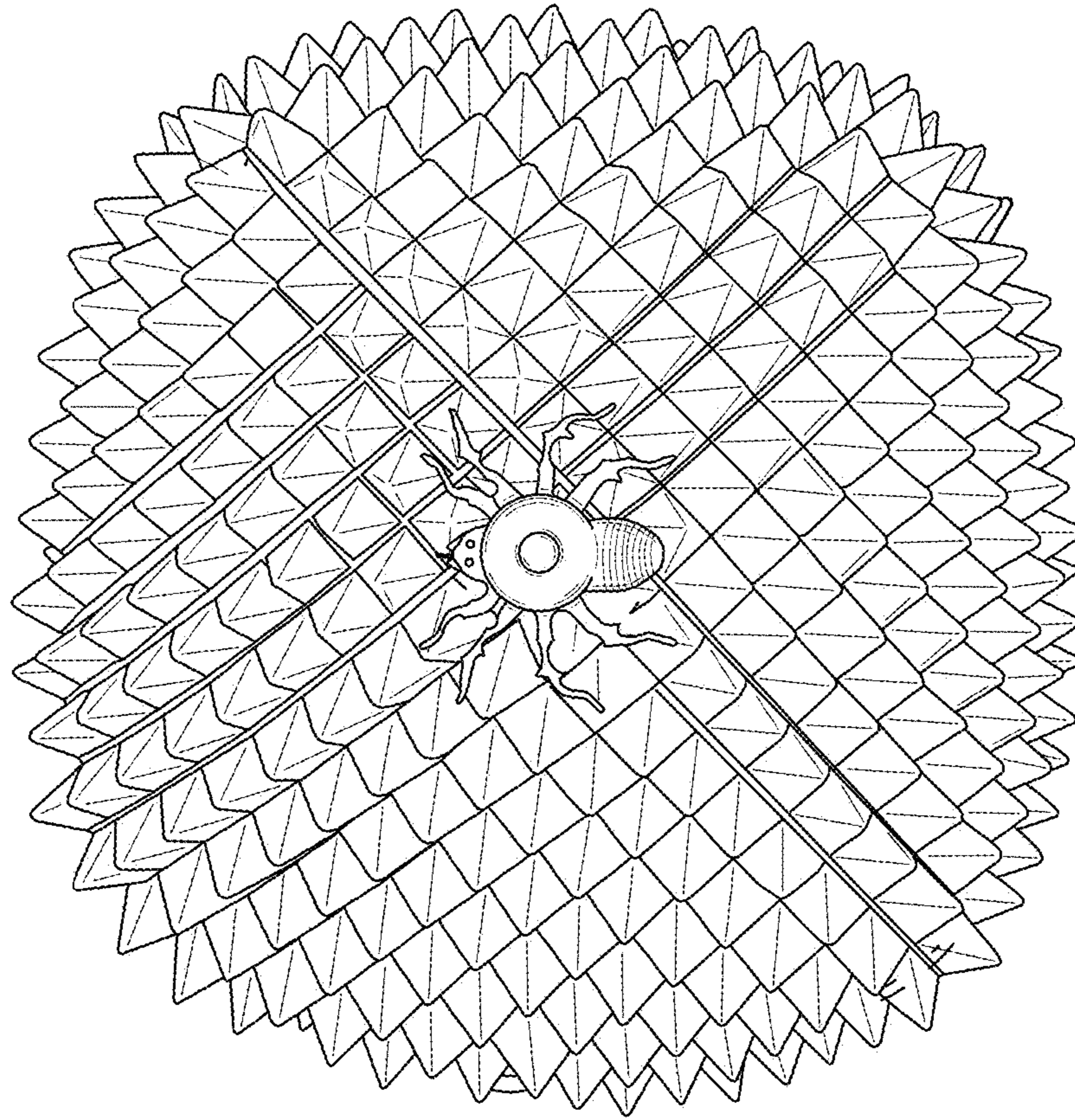


FIG. 18

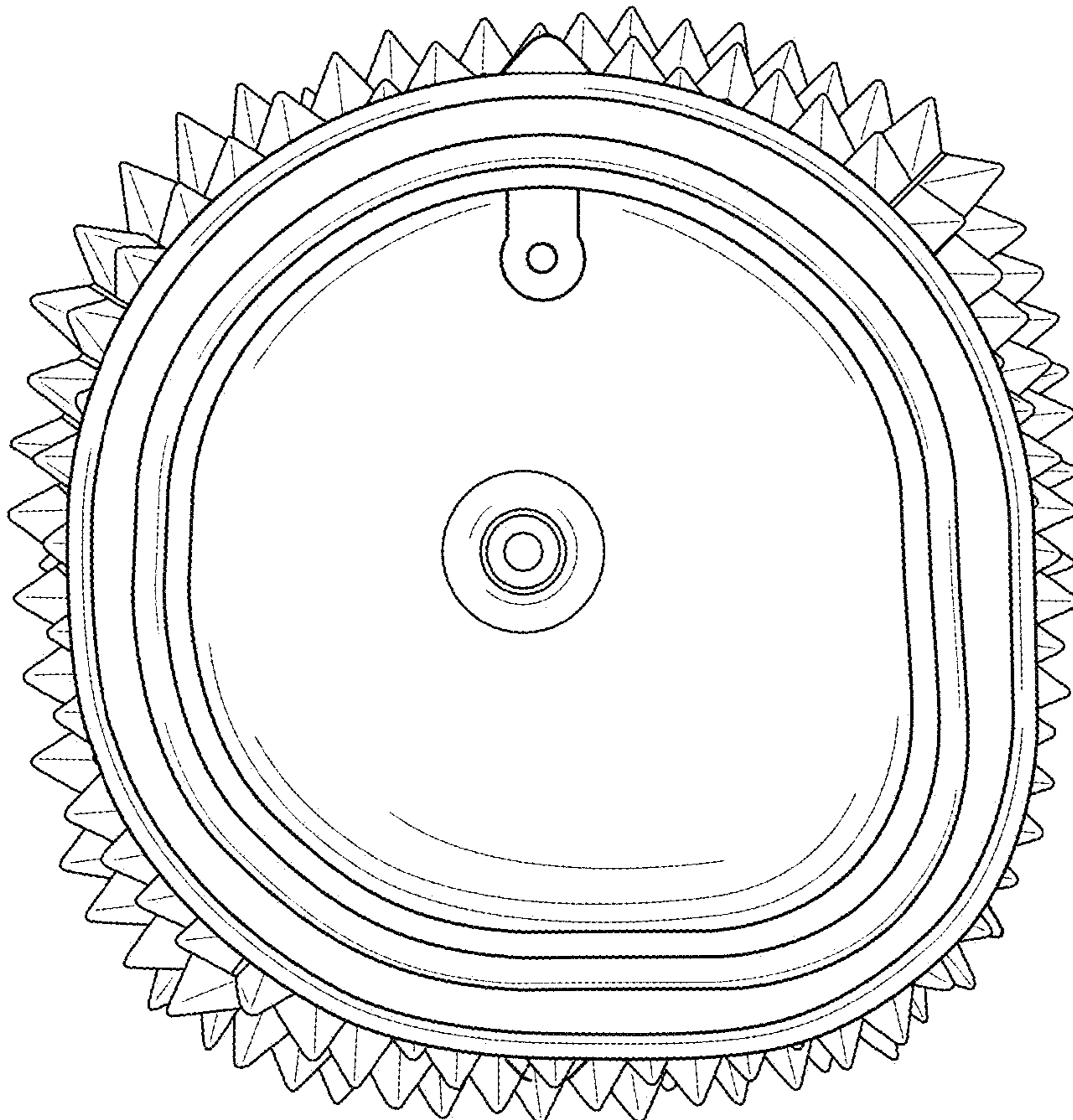


FIG. 17

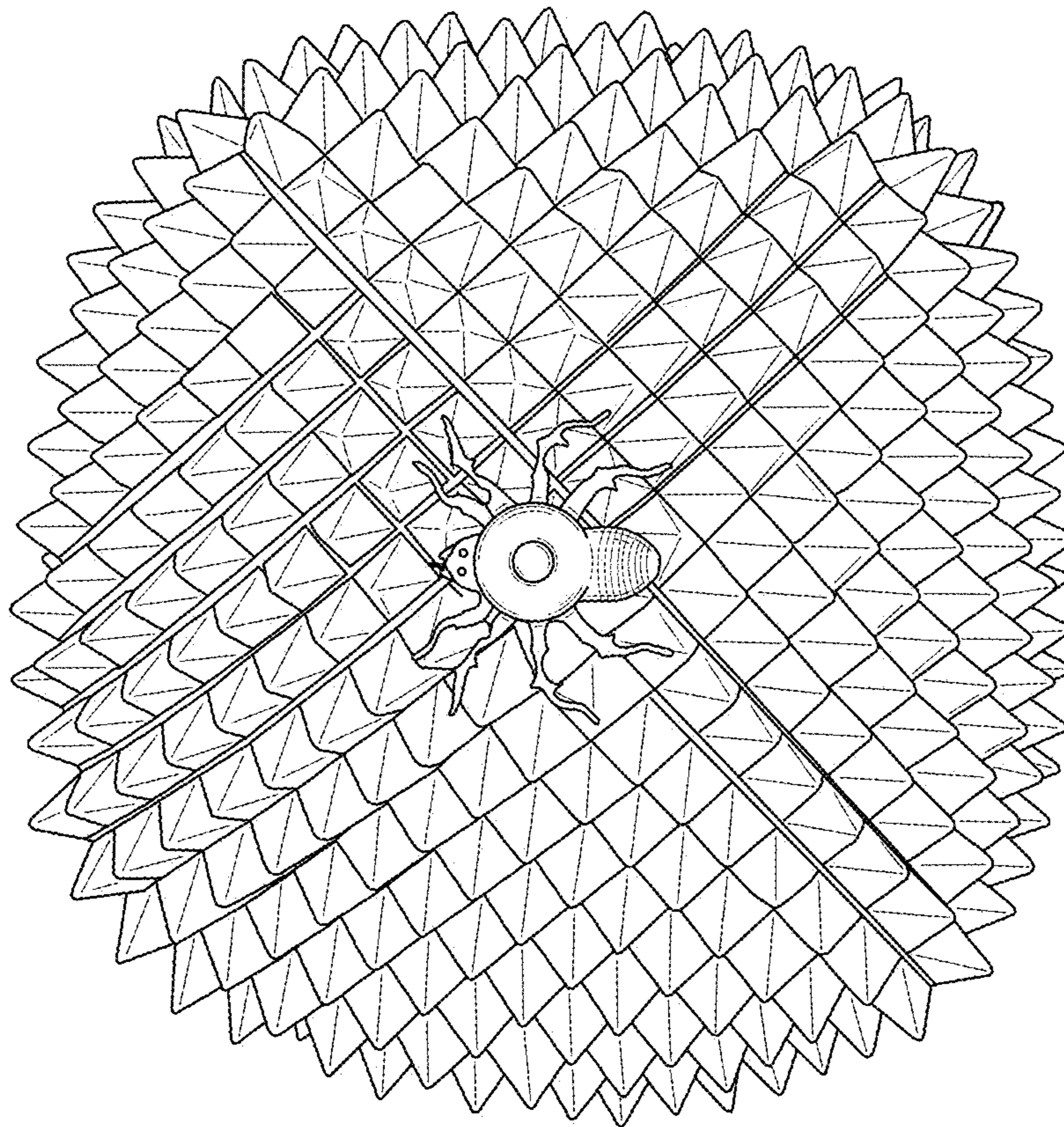


FIG. 20

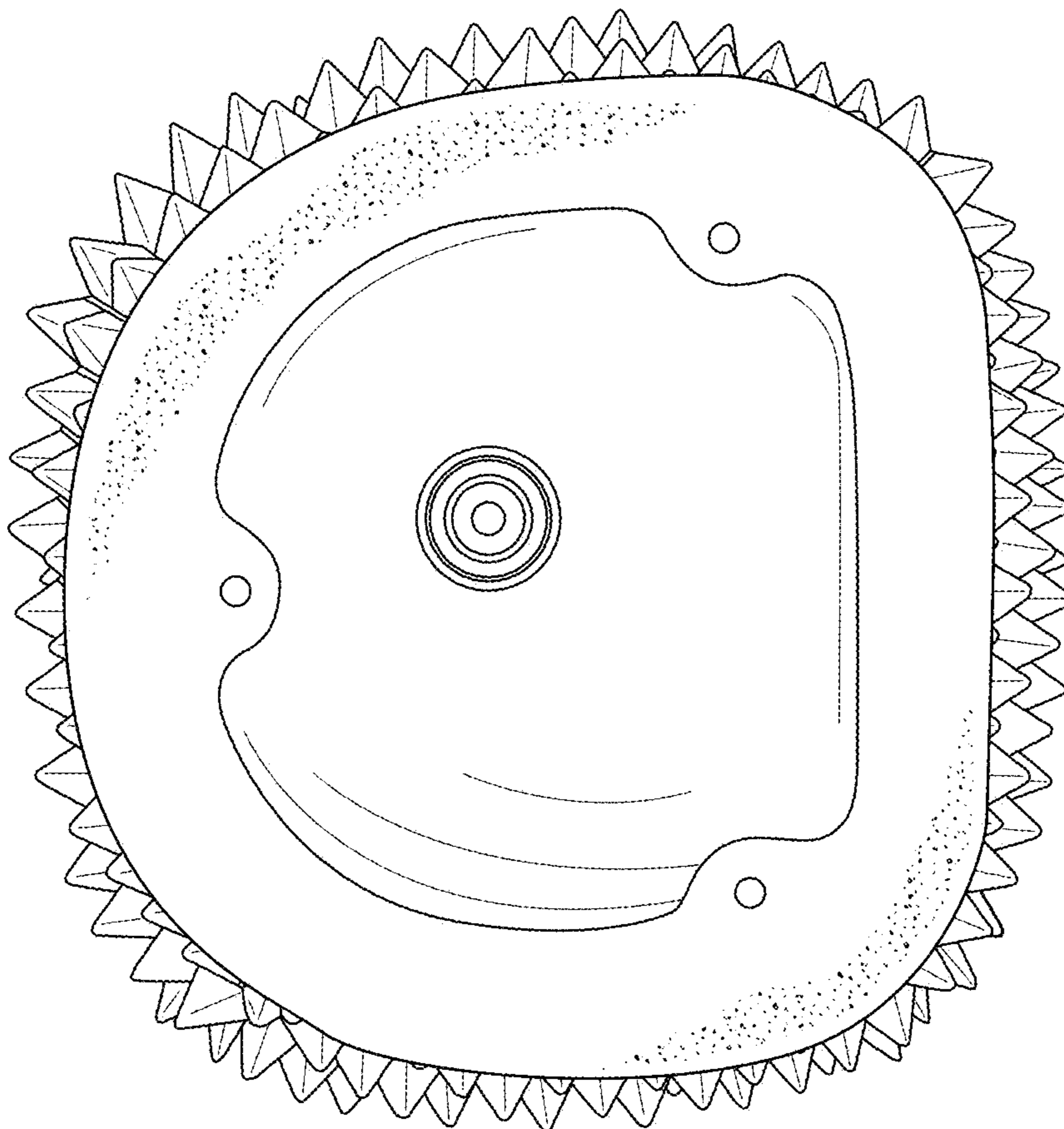


FIG. 19

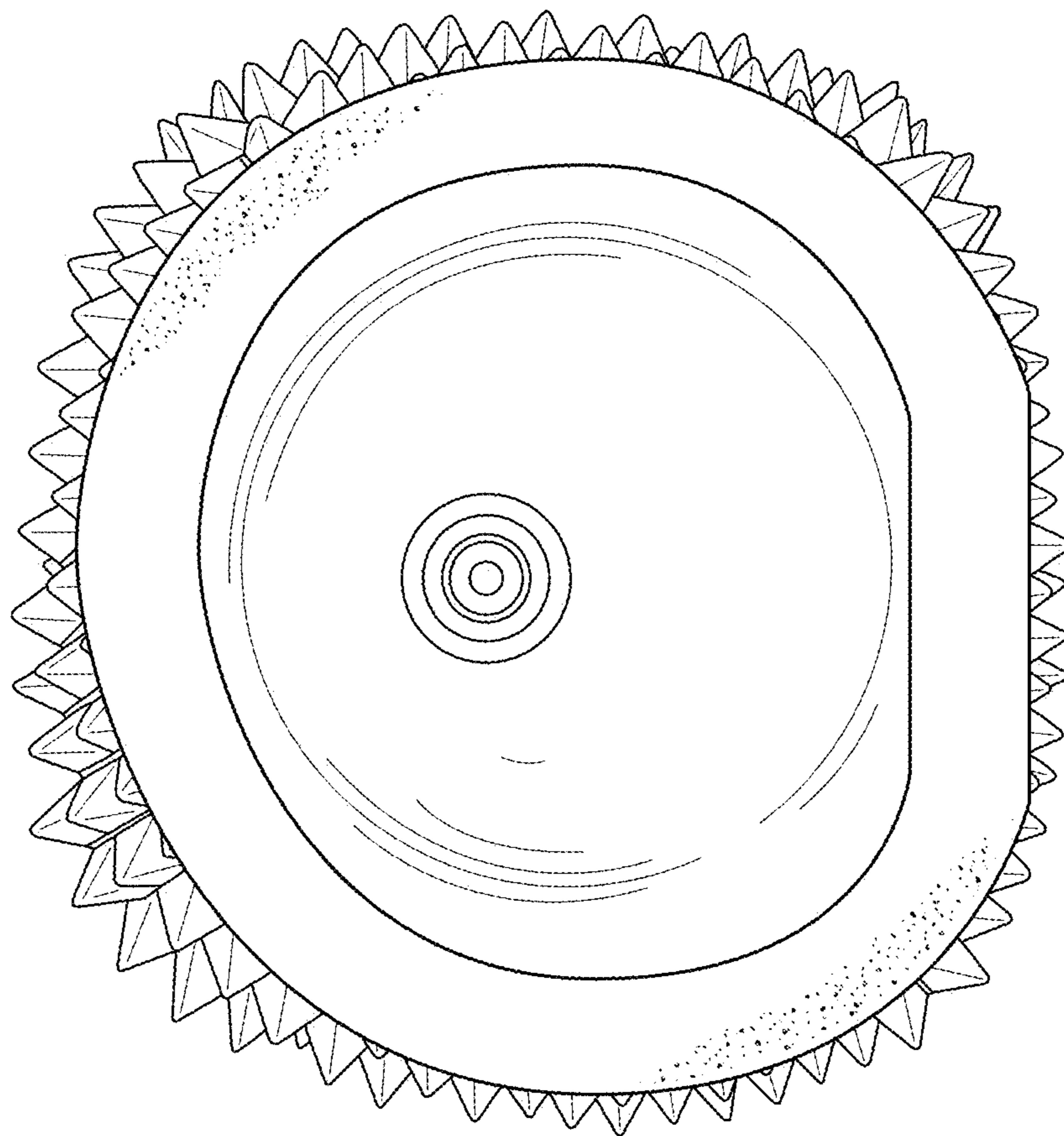


FIG. 21

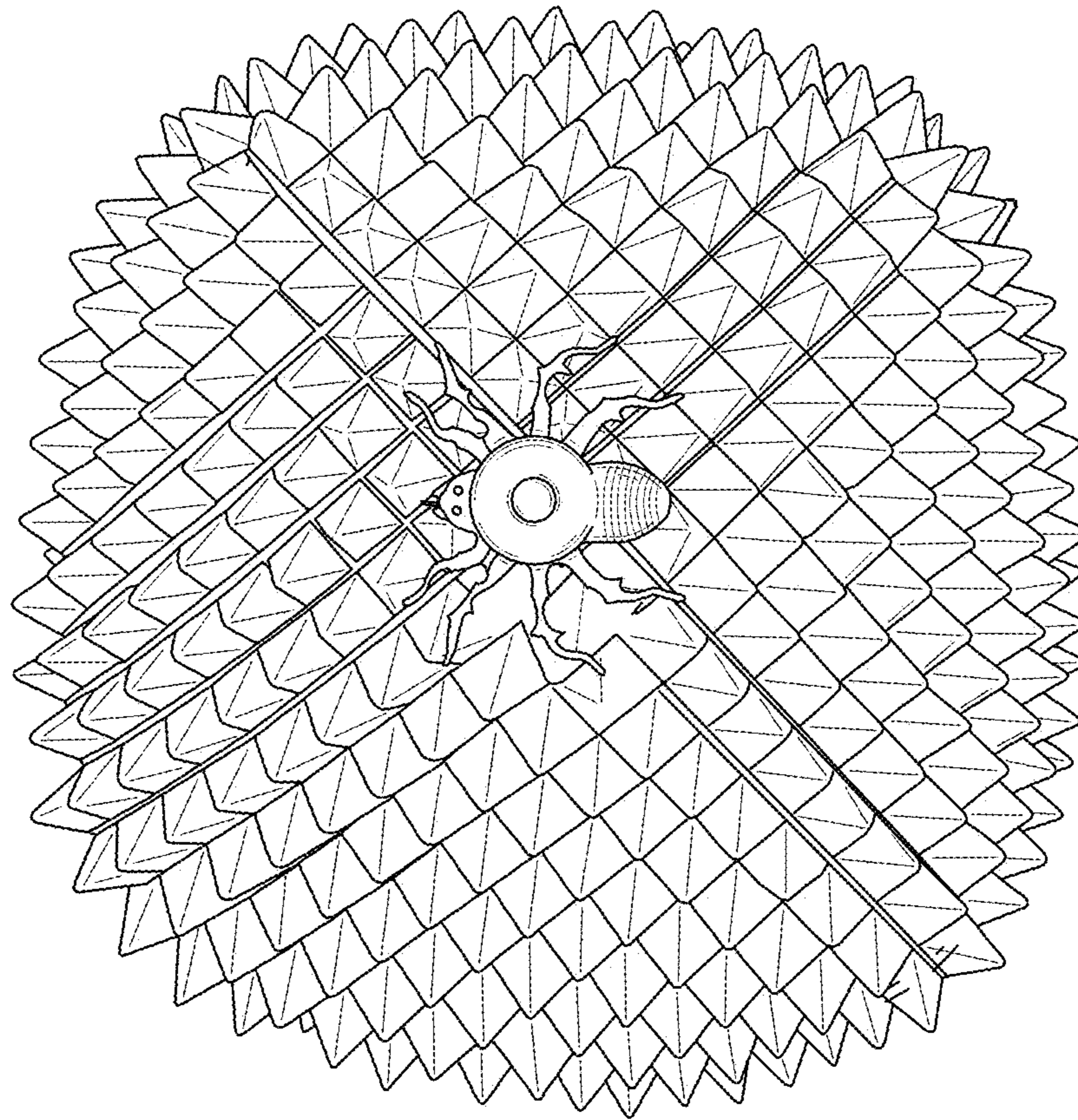


FIG. 22

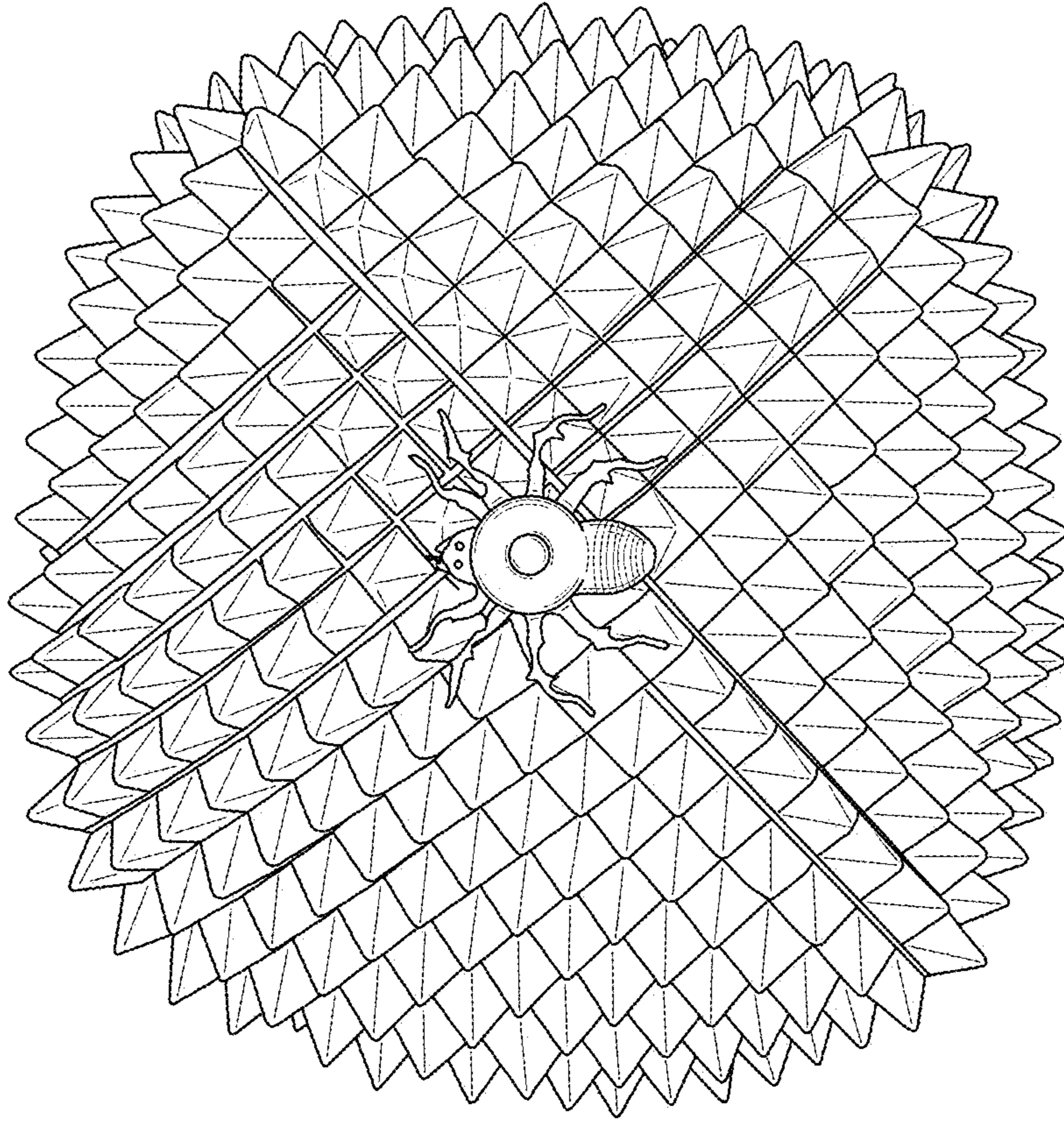


FIG. 24

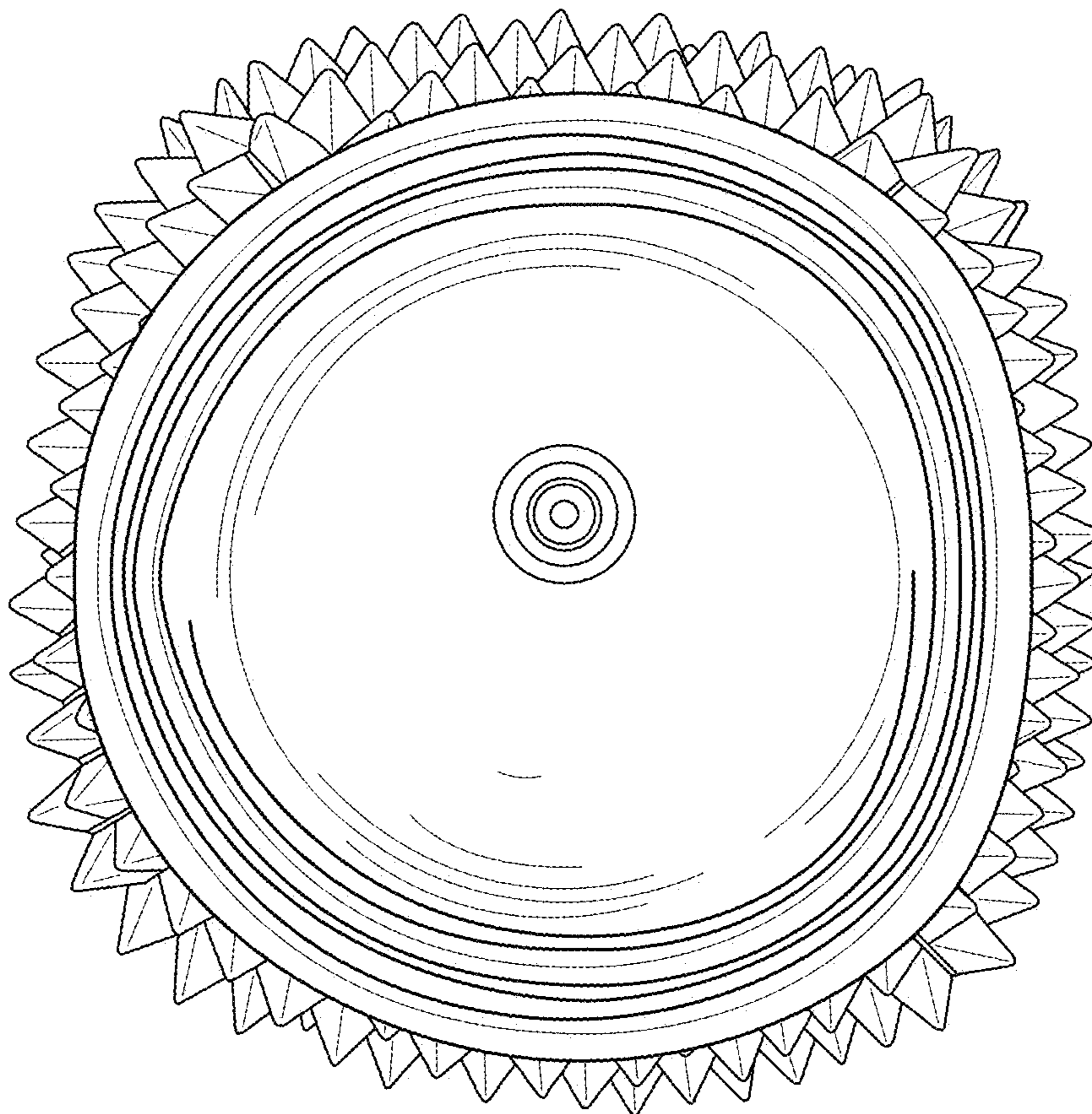


FIG. 23

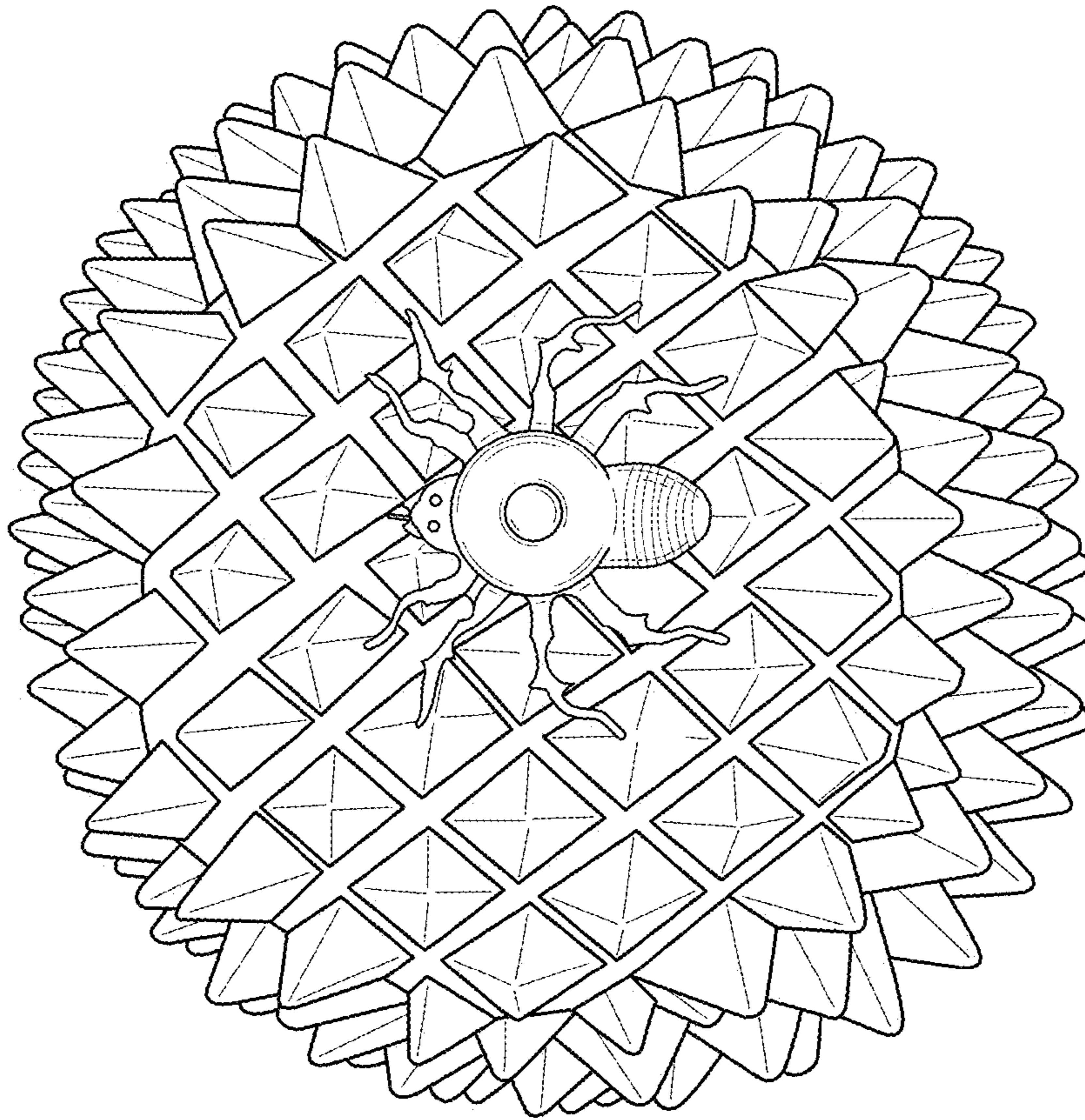


FIG. 26

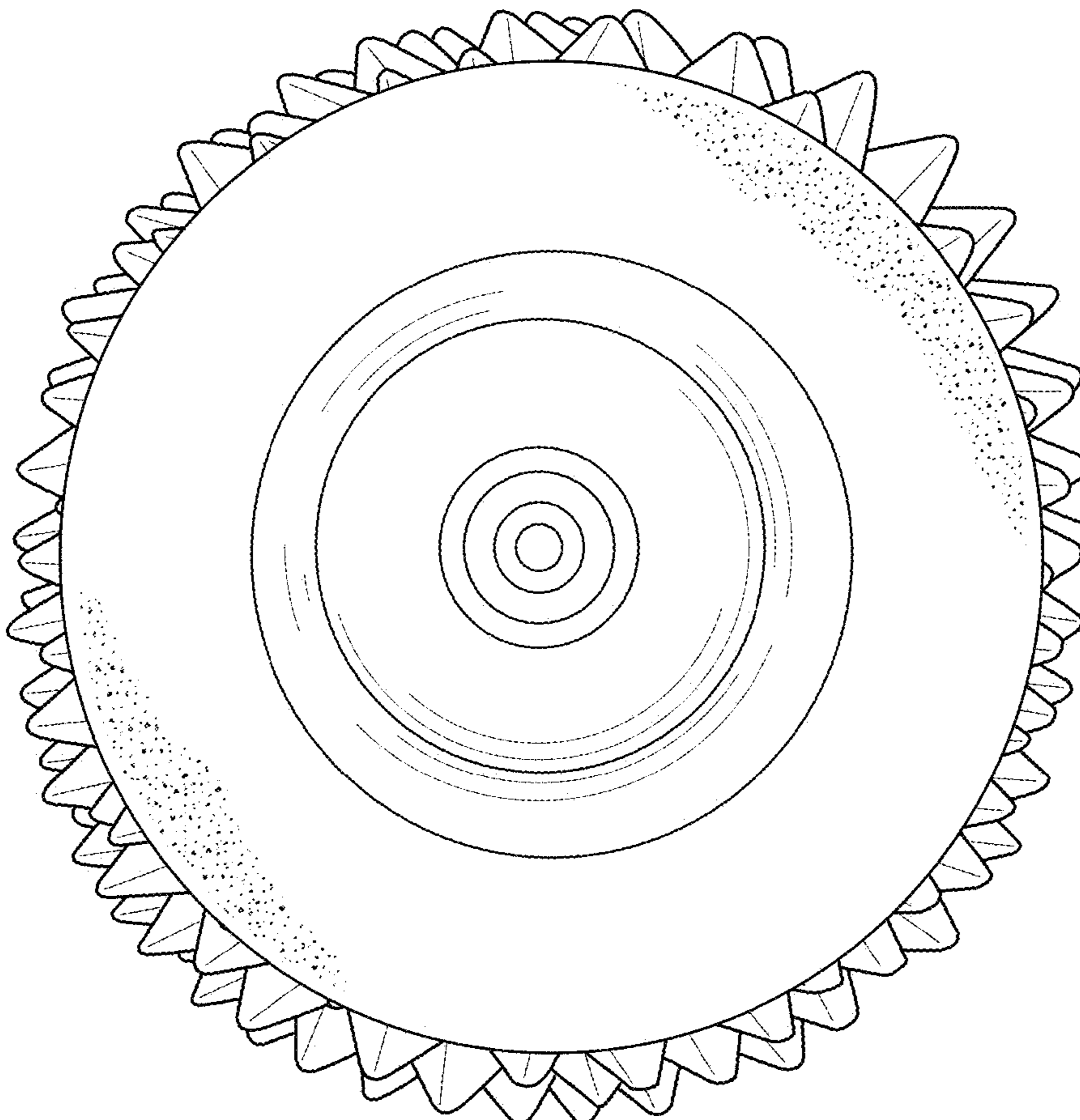


FIG. 25

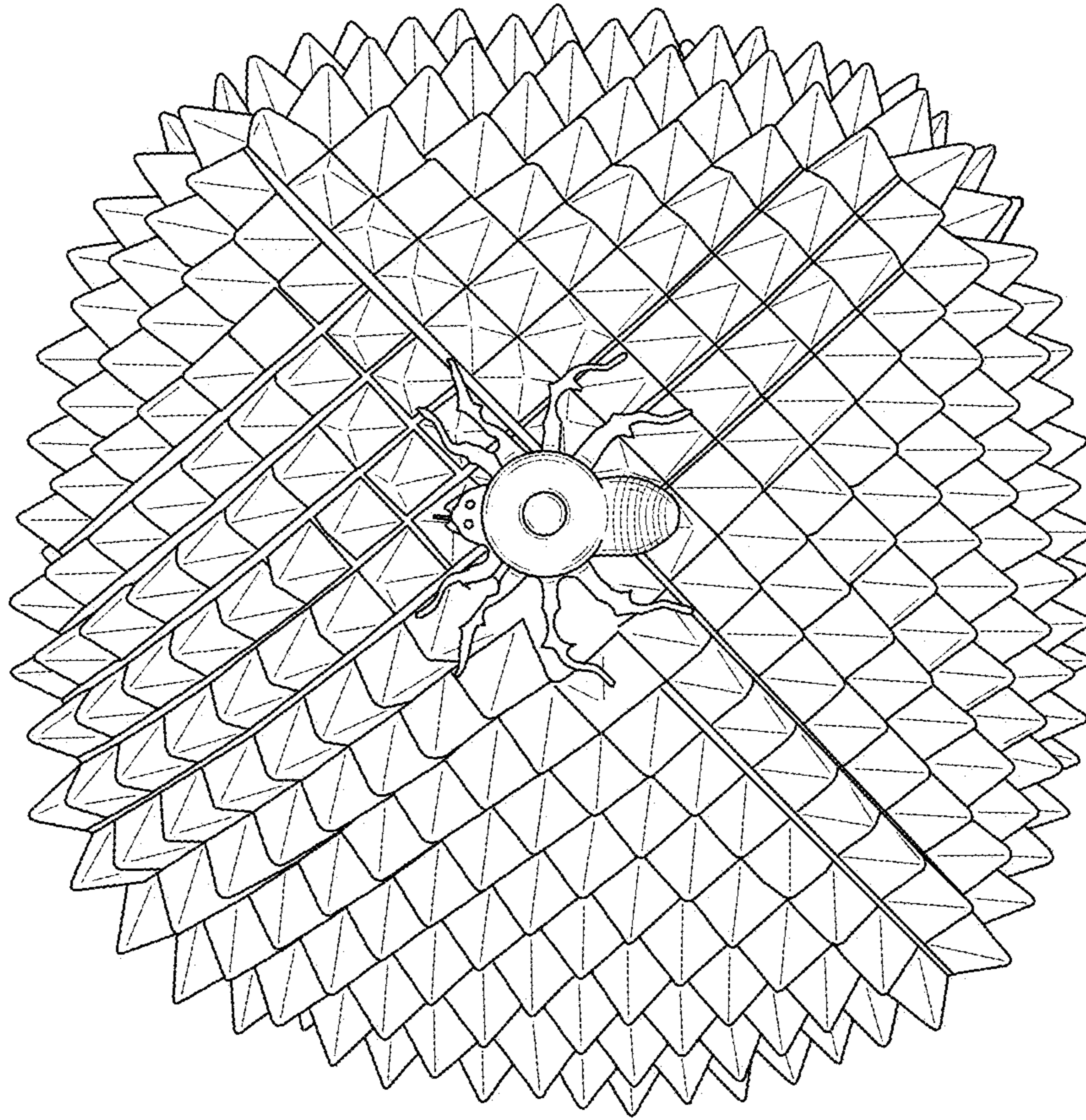


FIG. 28

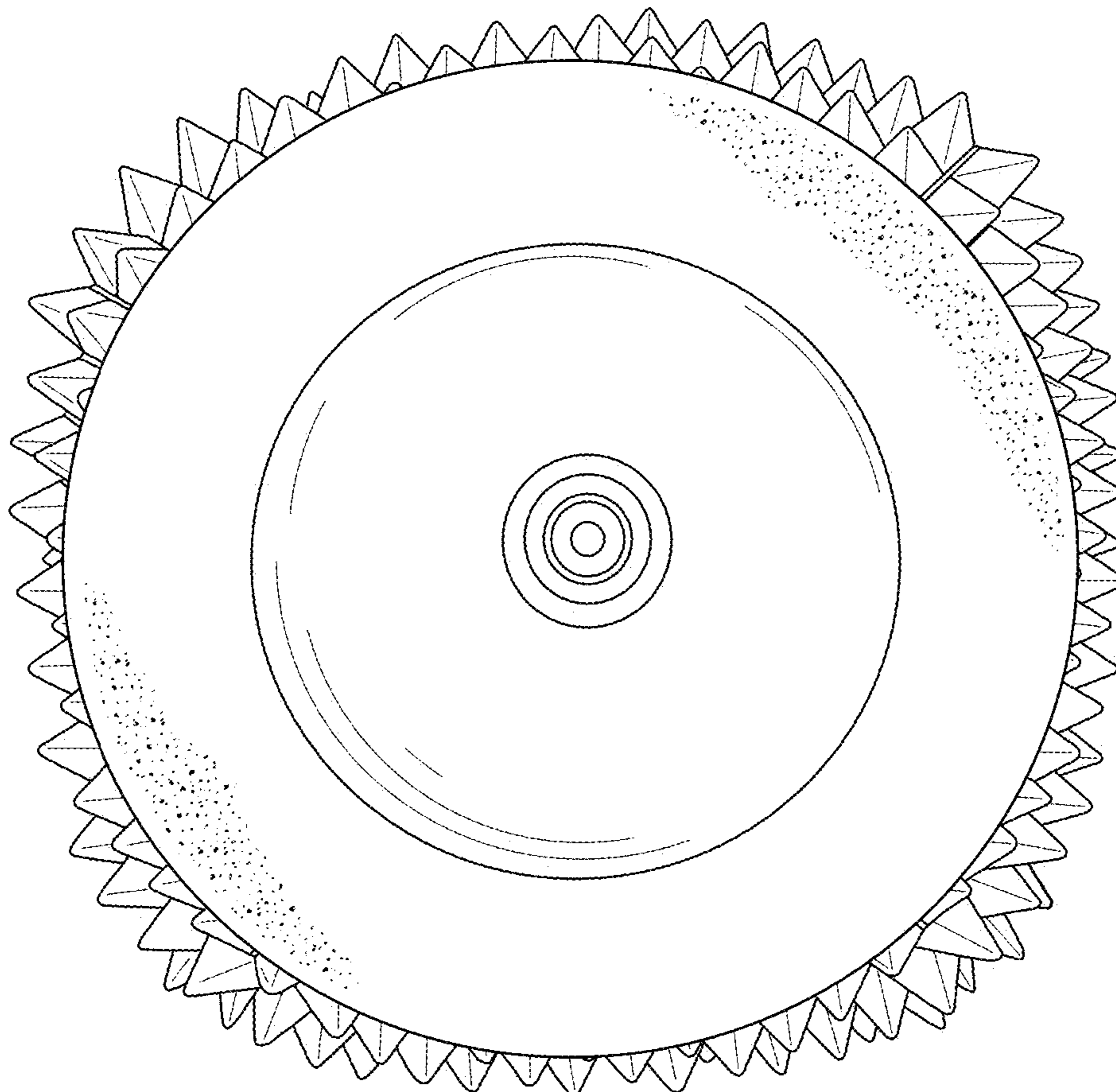


FIG. 27

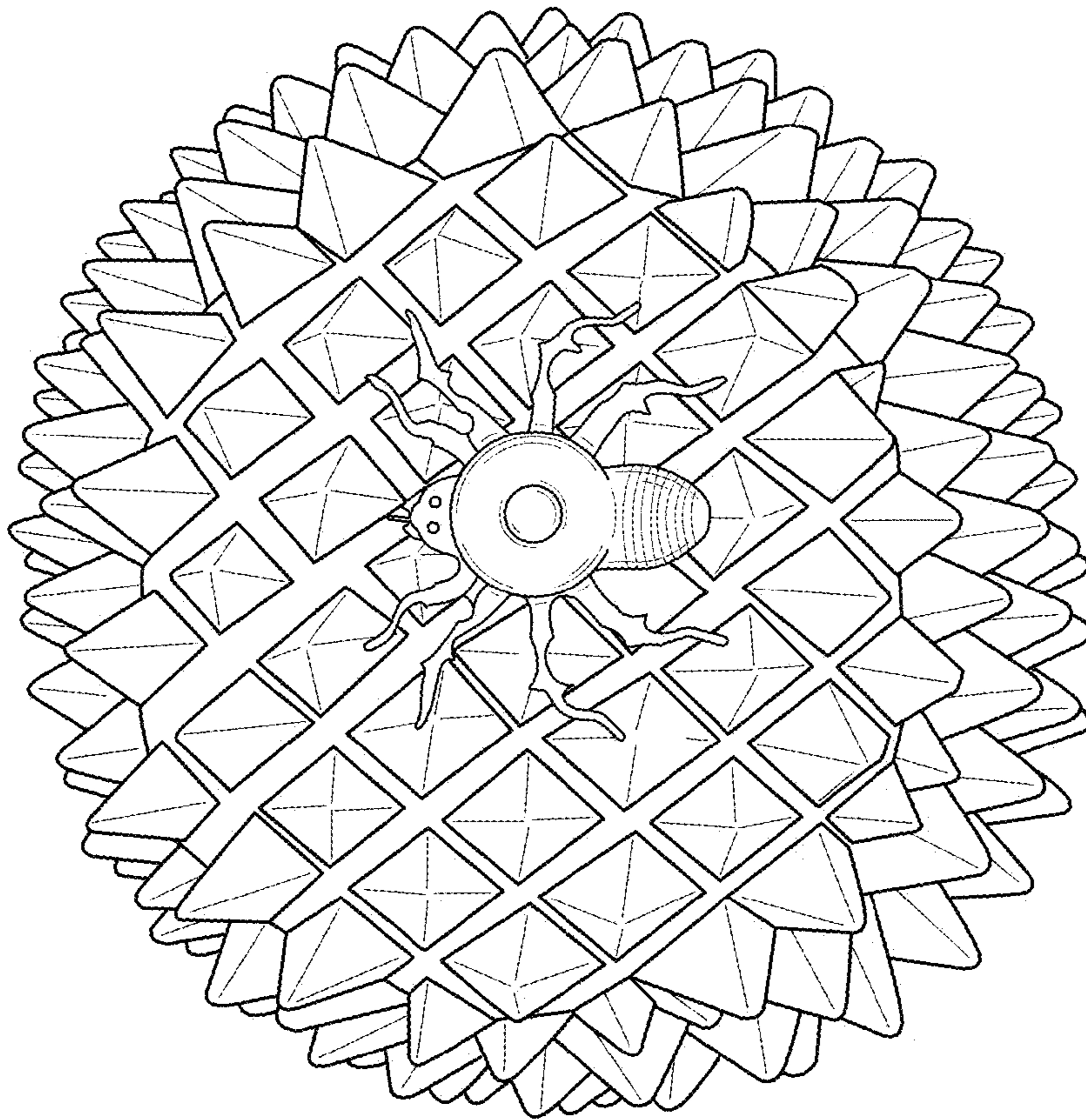


FIG. 30

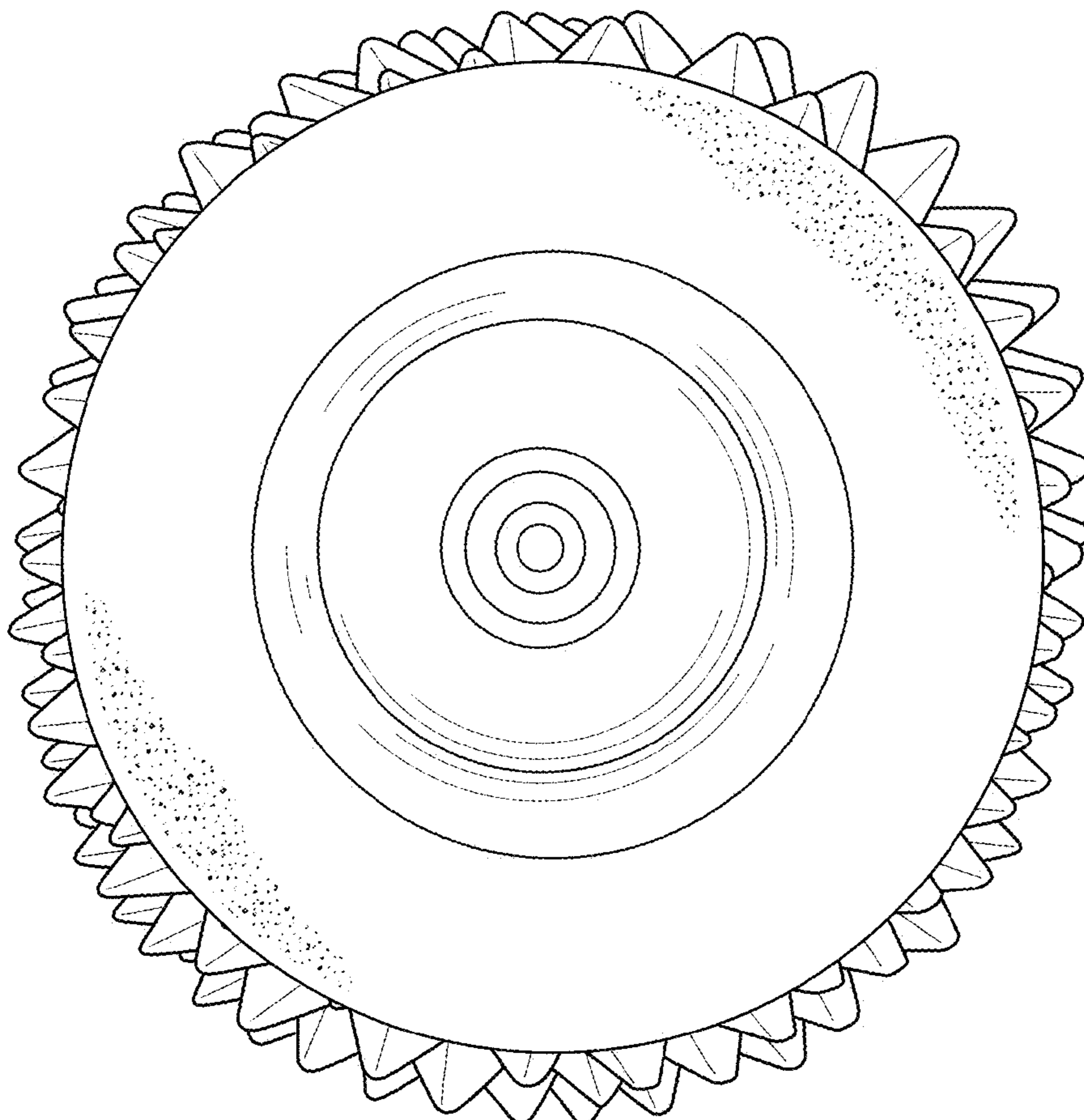


FIG. 29

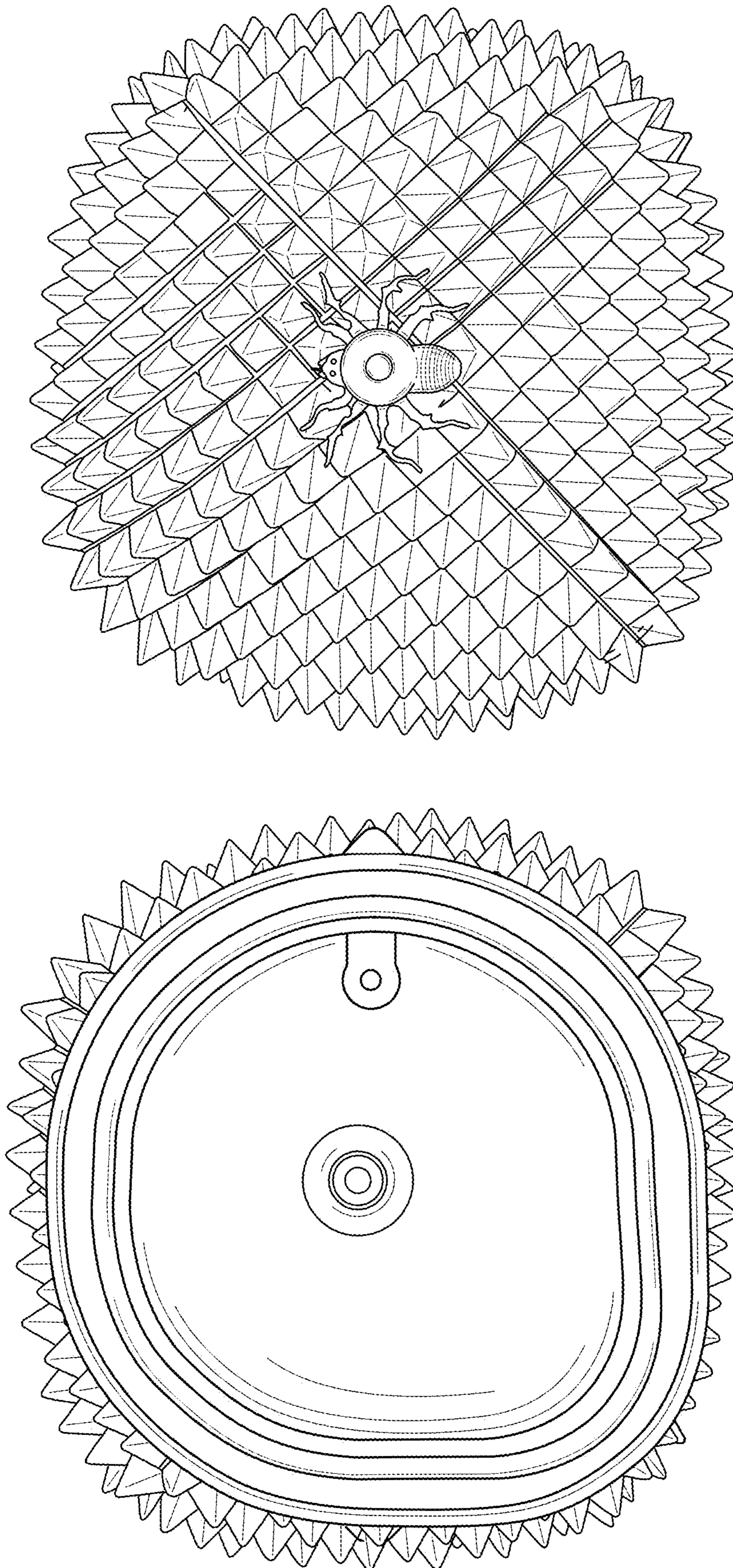


FIG. 32

FIG. 31

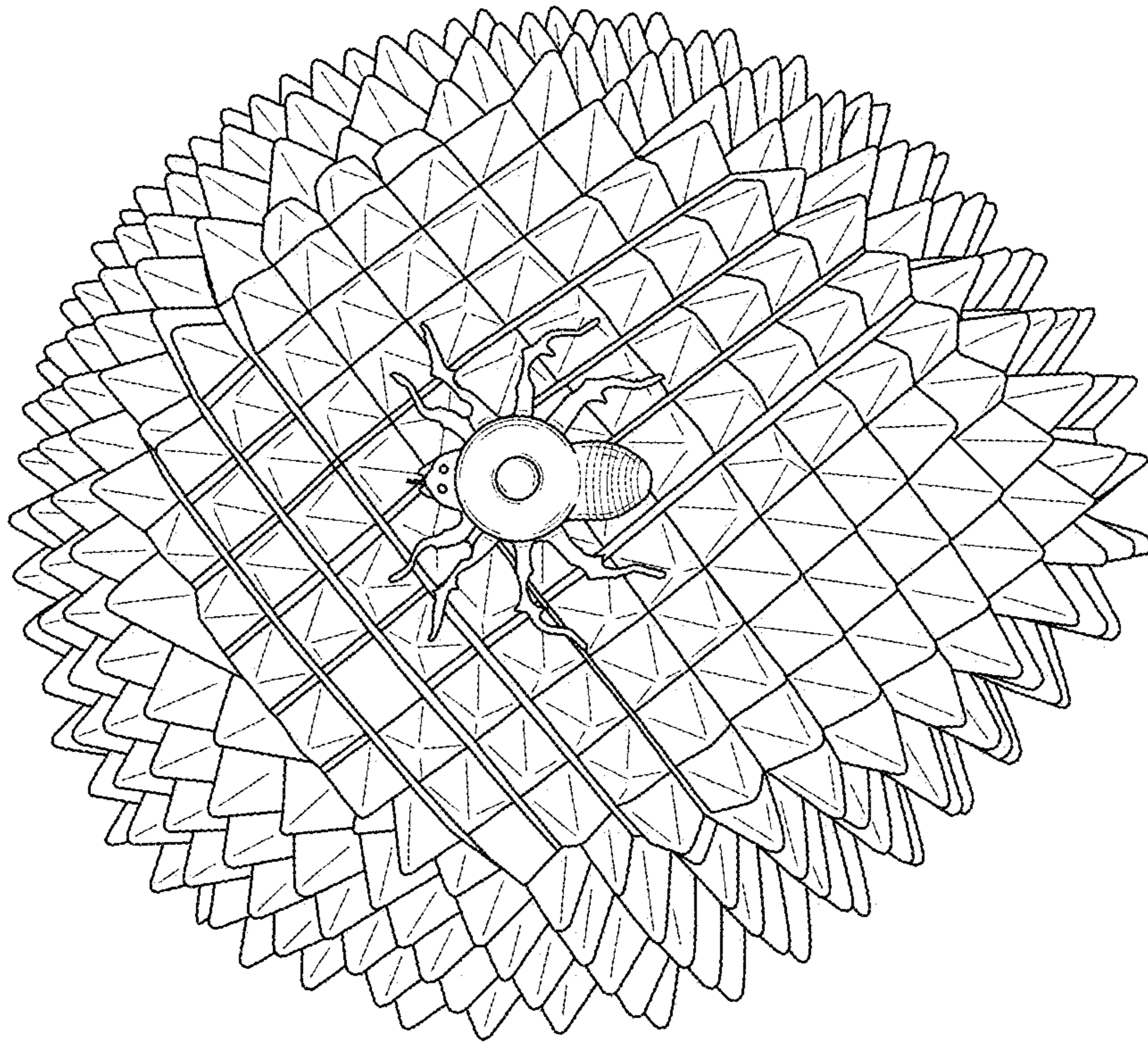


FIG. 34

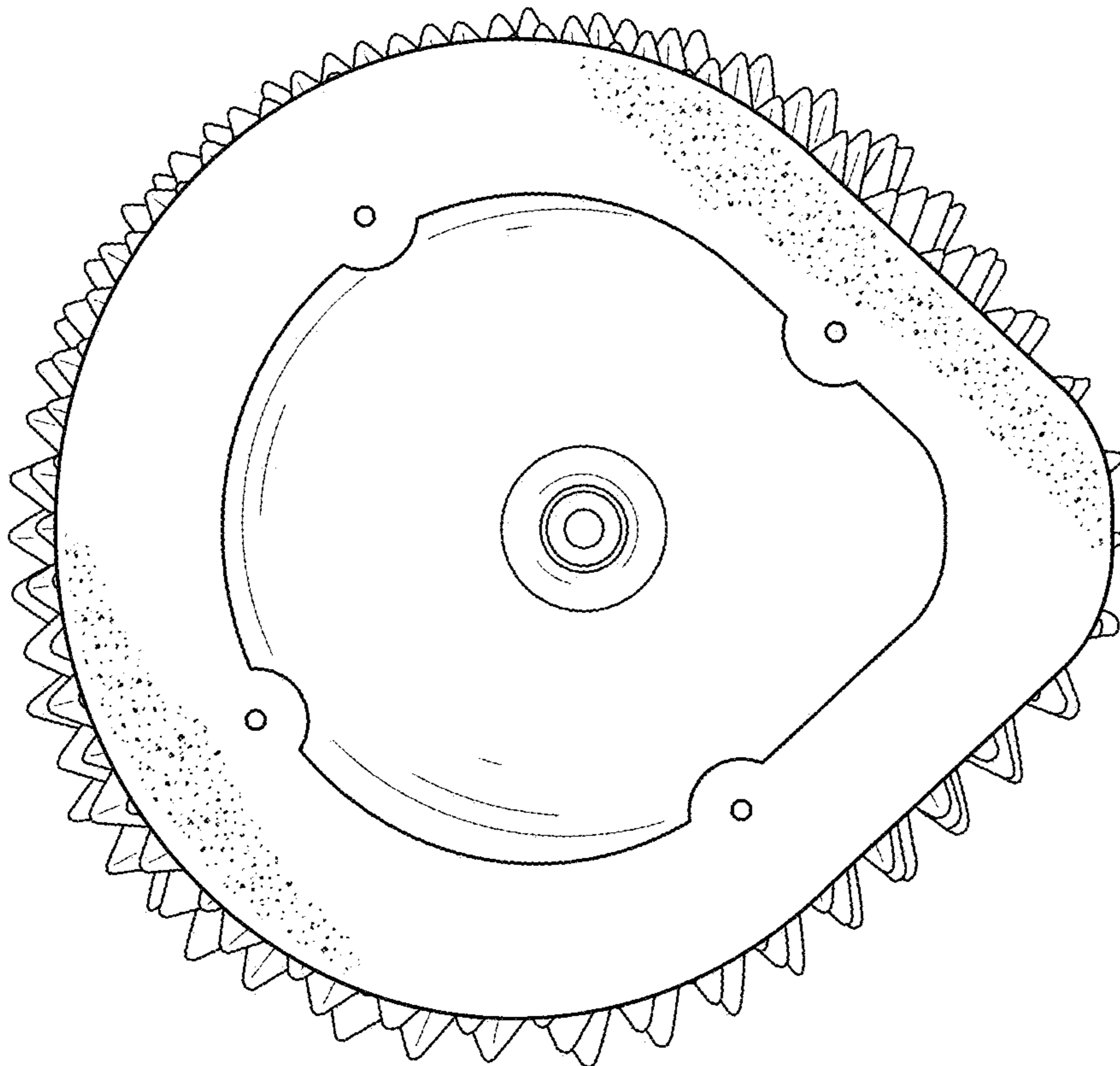


FIG. 33

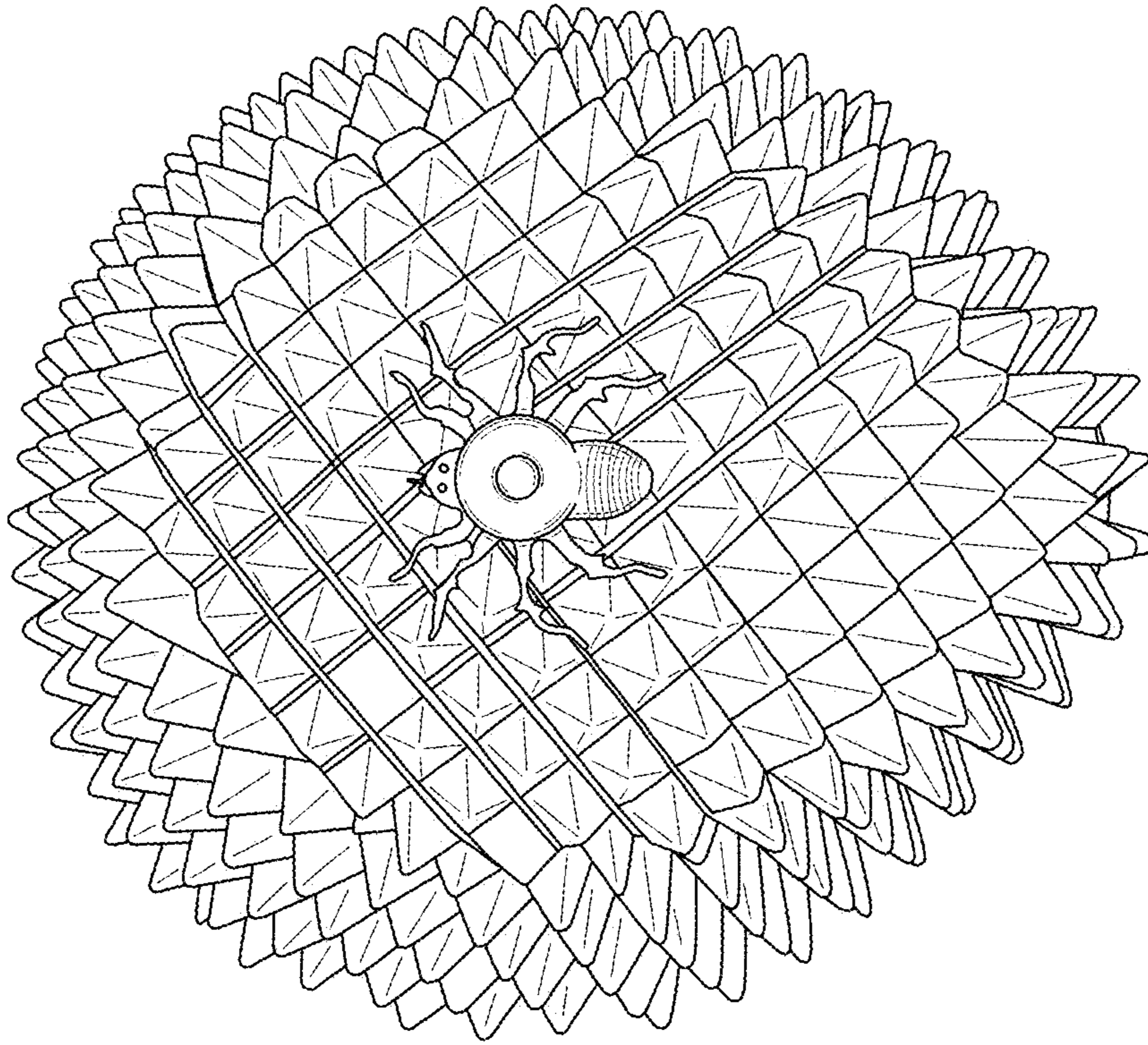


FIG. 36

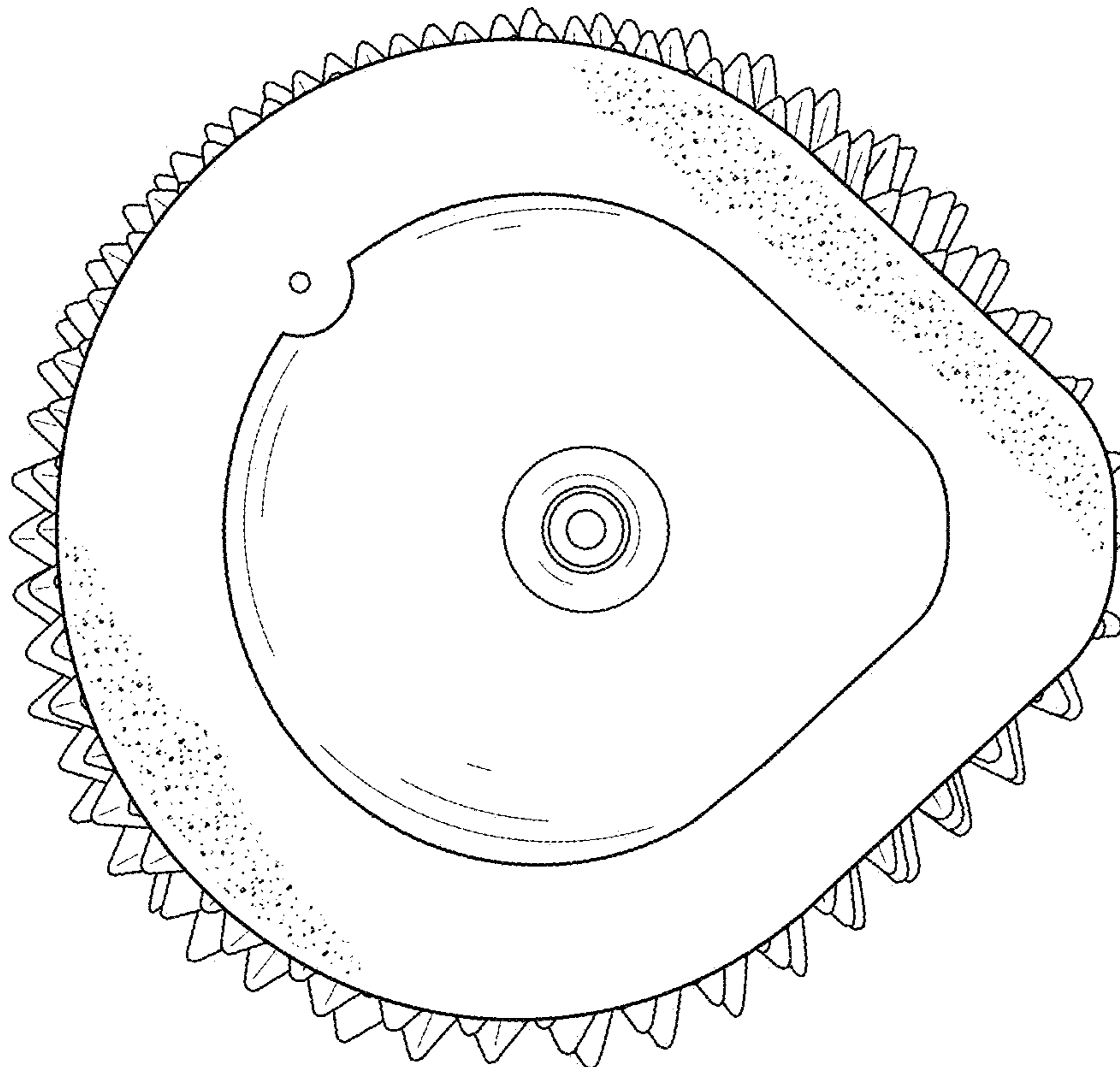


FIG. 35

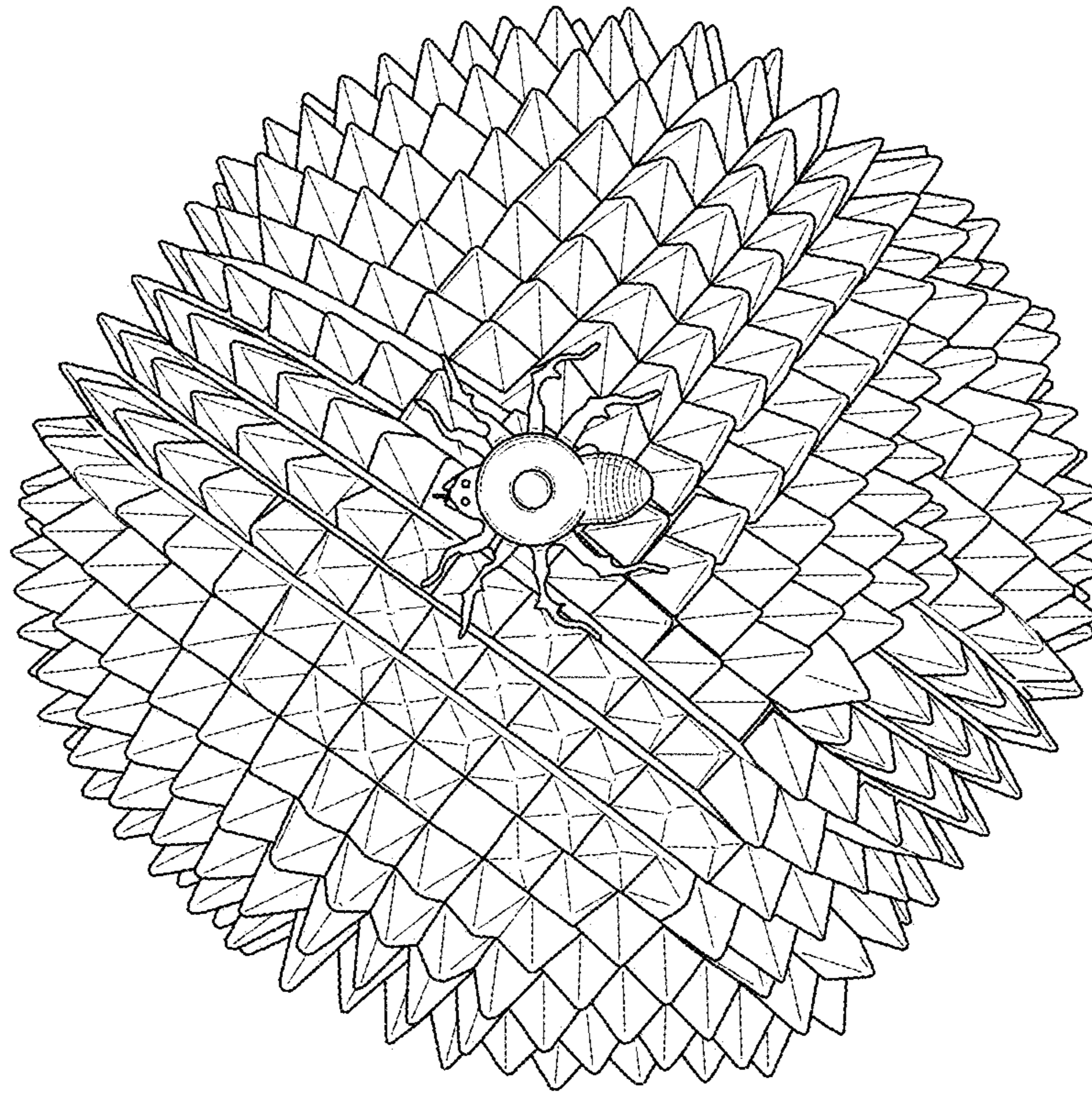


FIG. 38

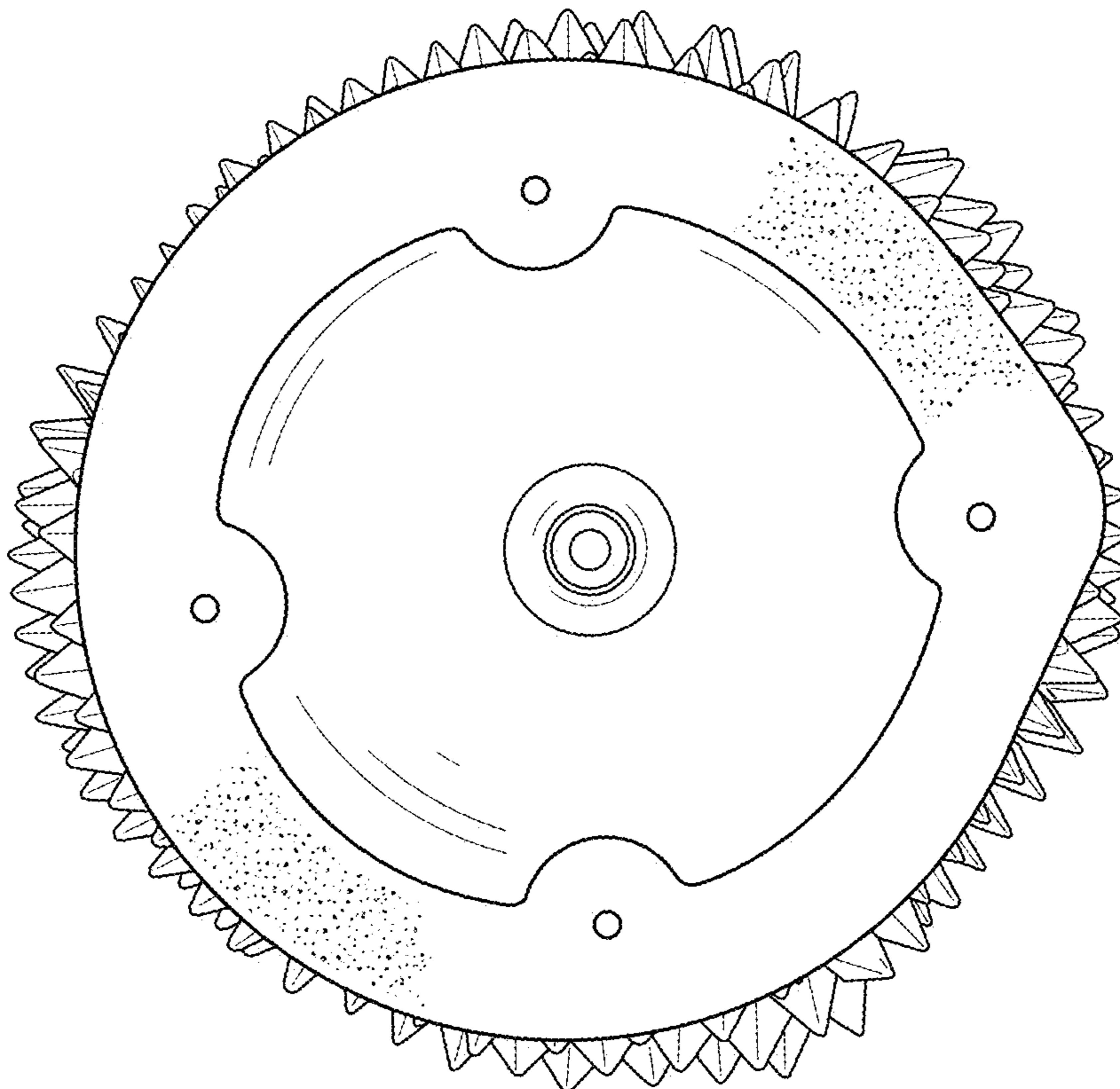


FIG. 37

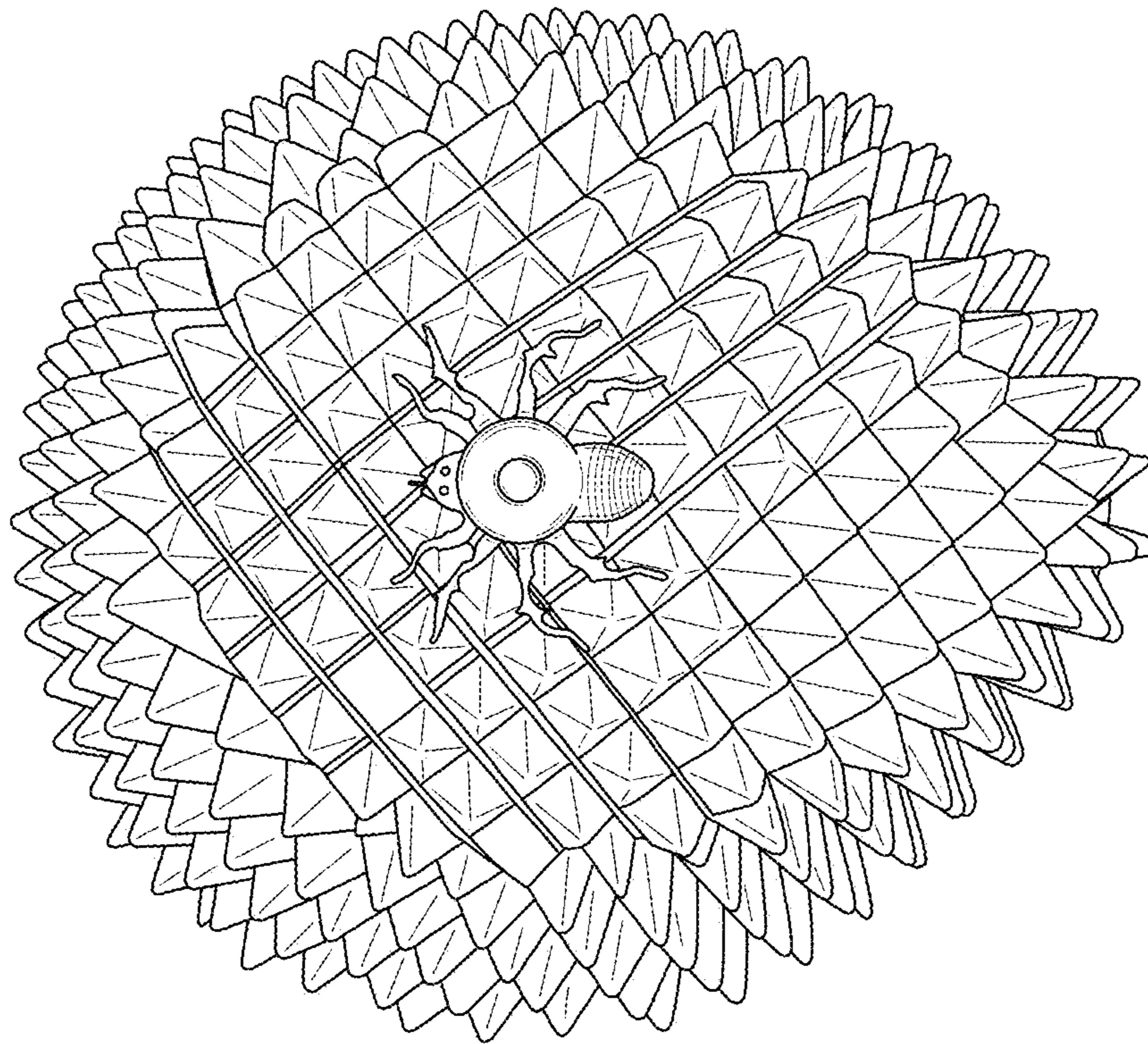


FIG. 40

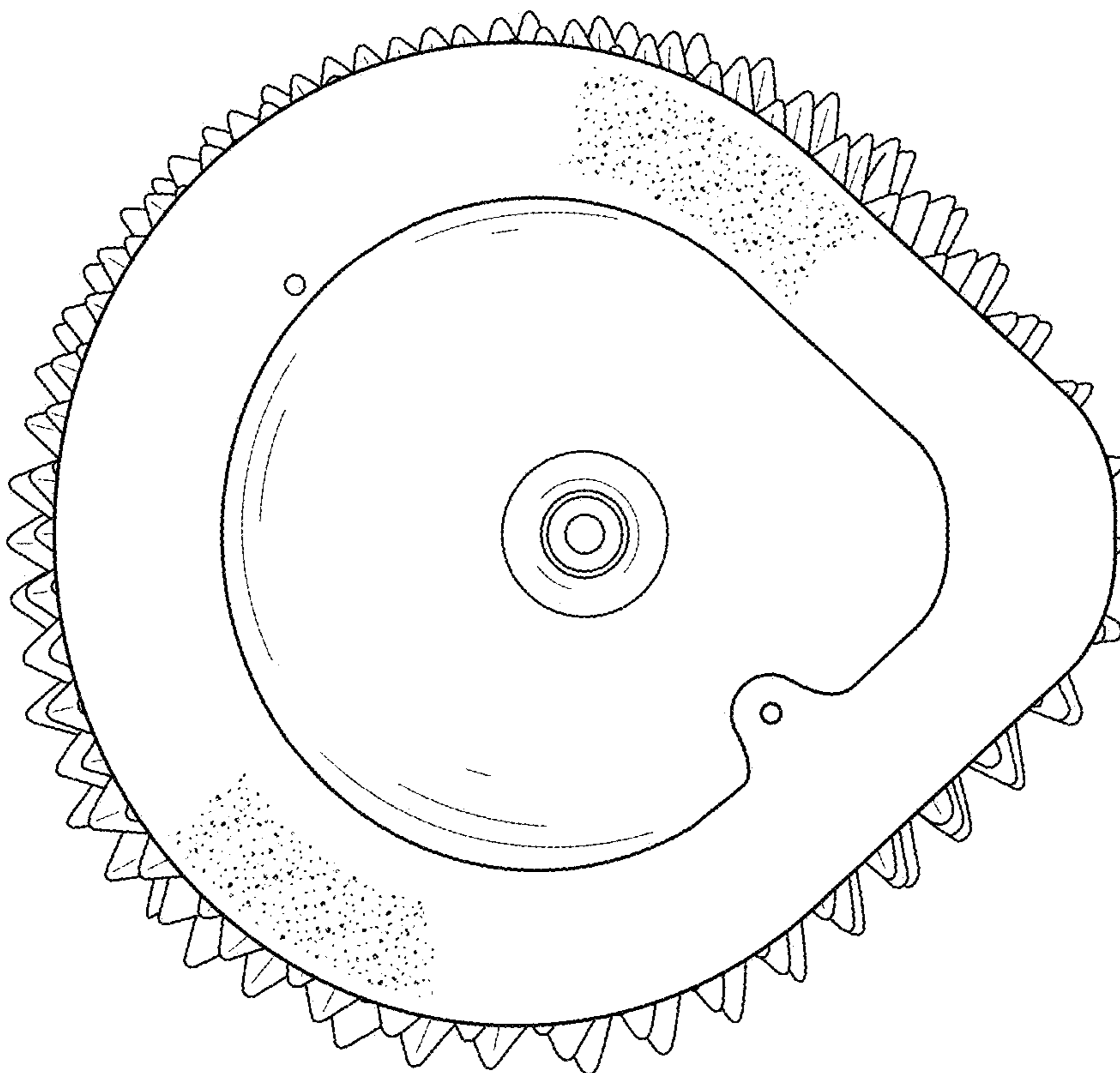


FIG. 39

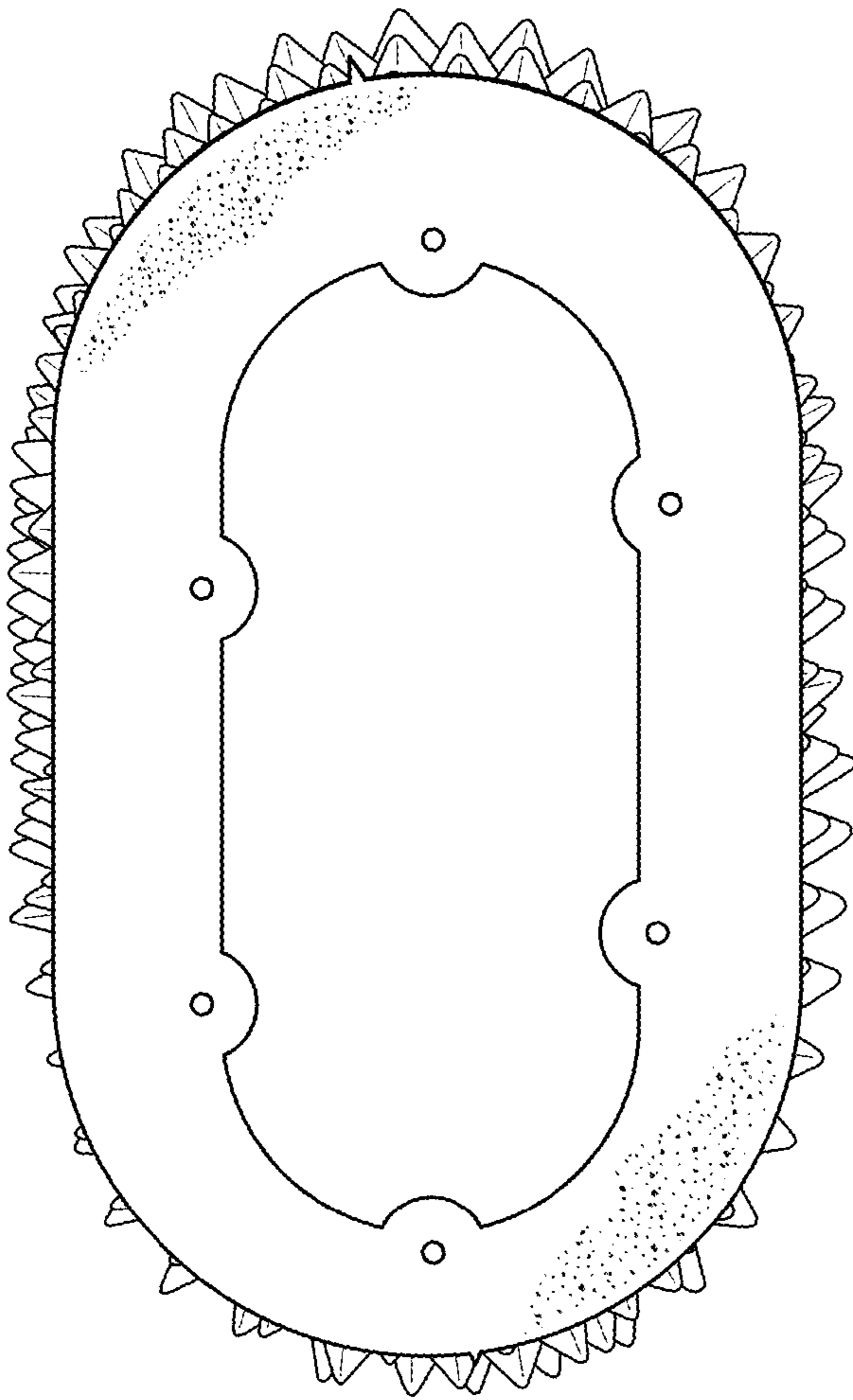


FIG. 41

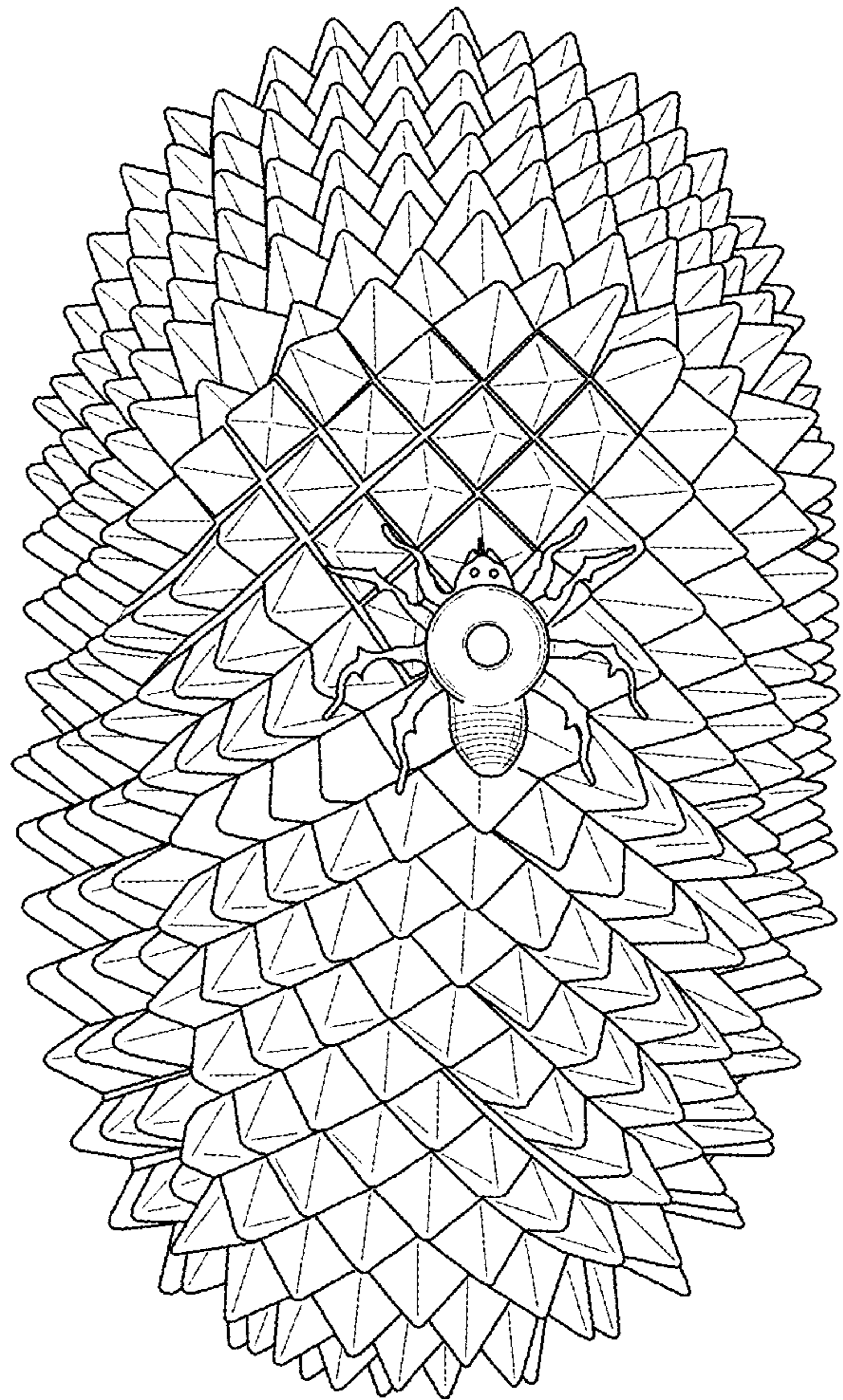


FIG. 42

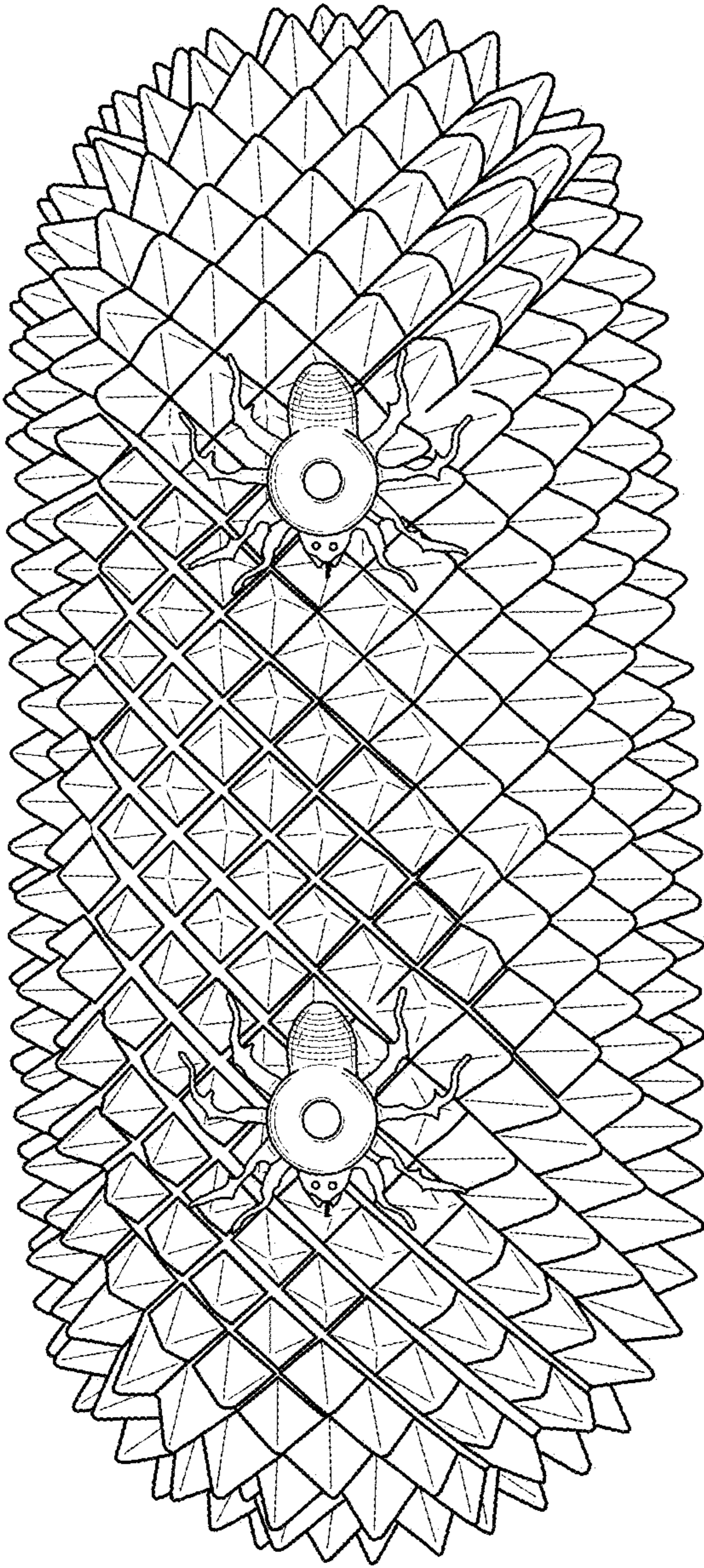


FIG. 43

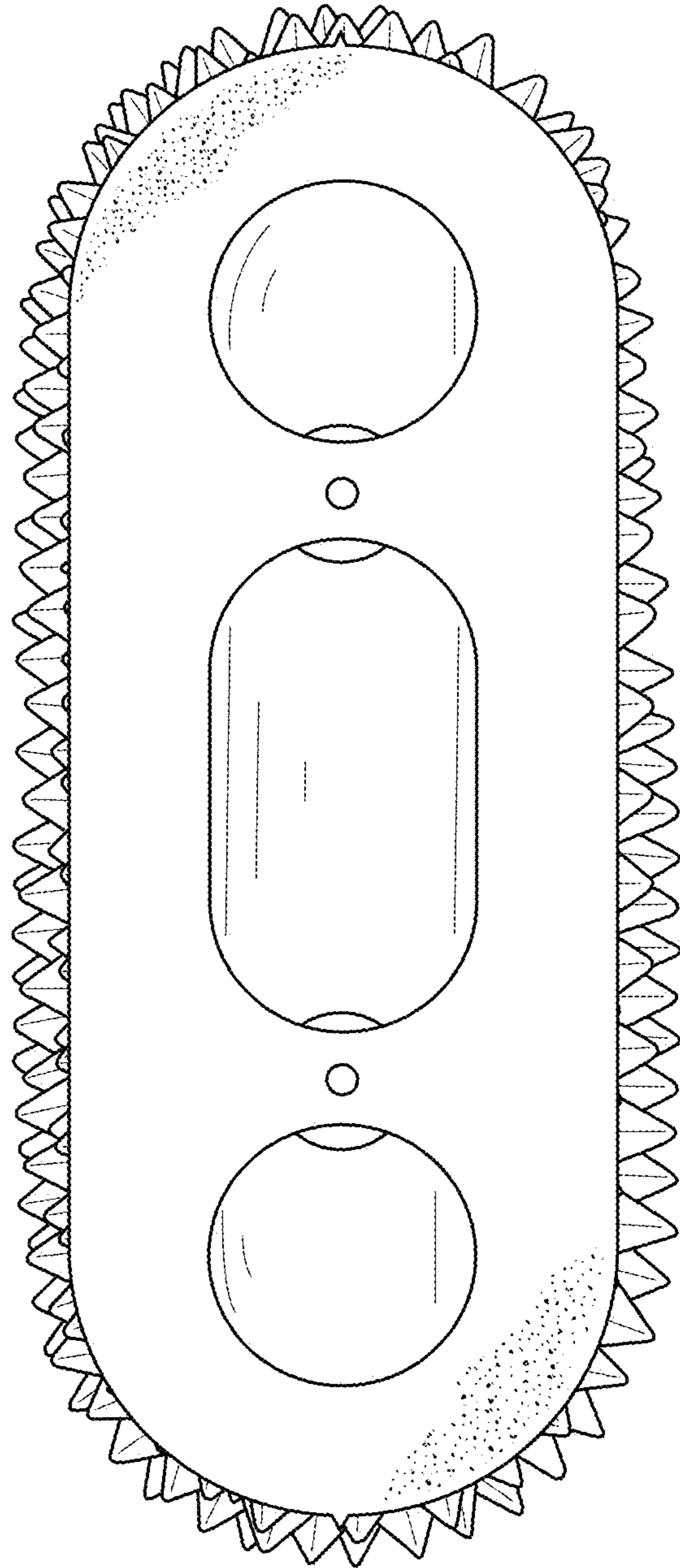


FIG. 44

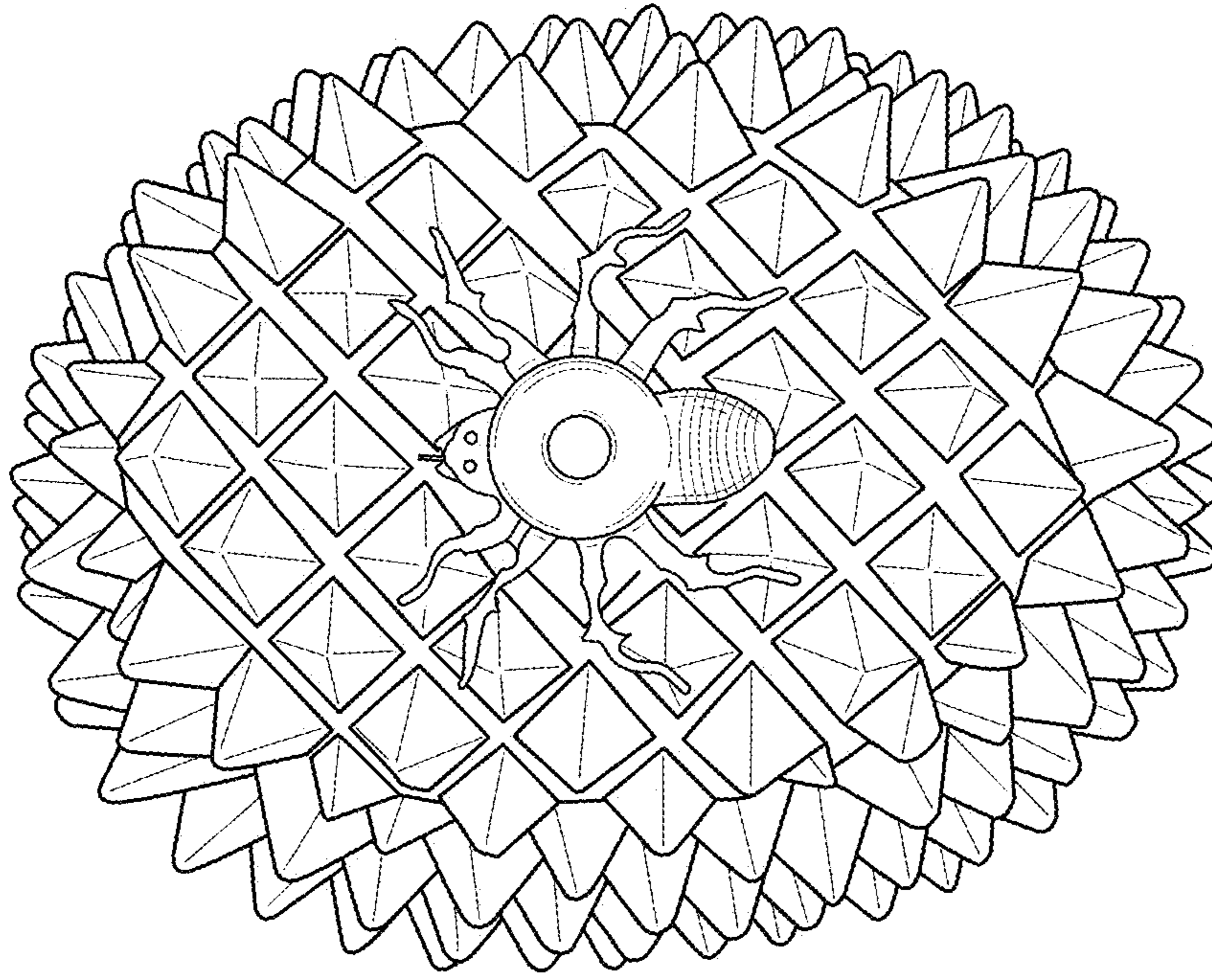


FIG. 46

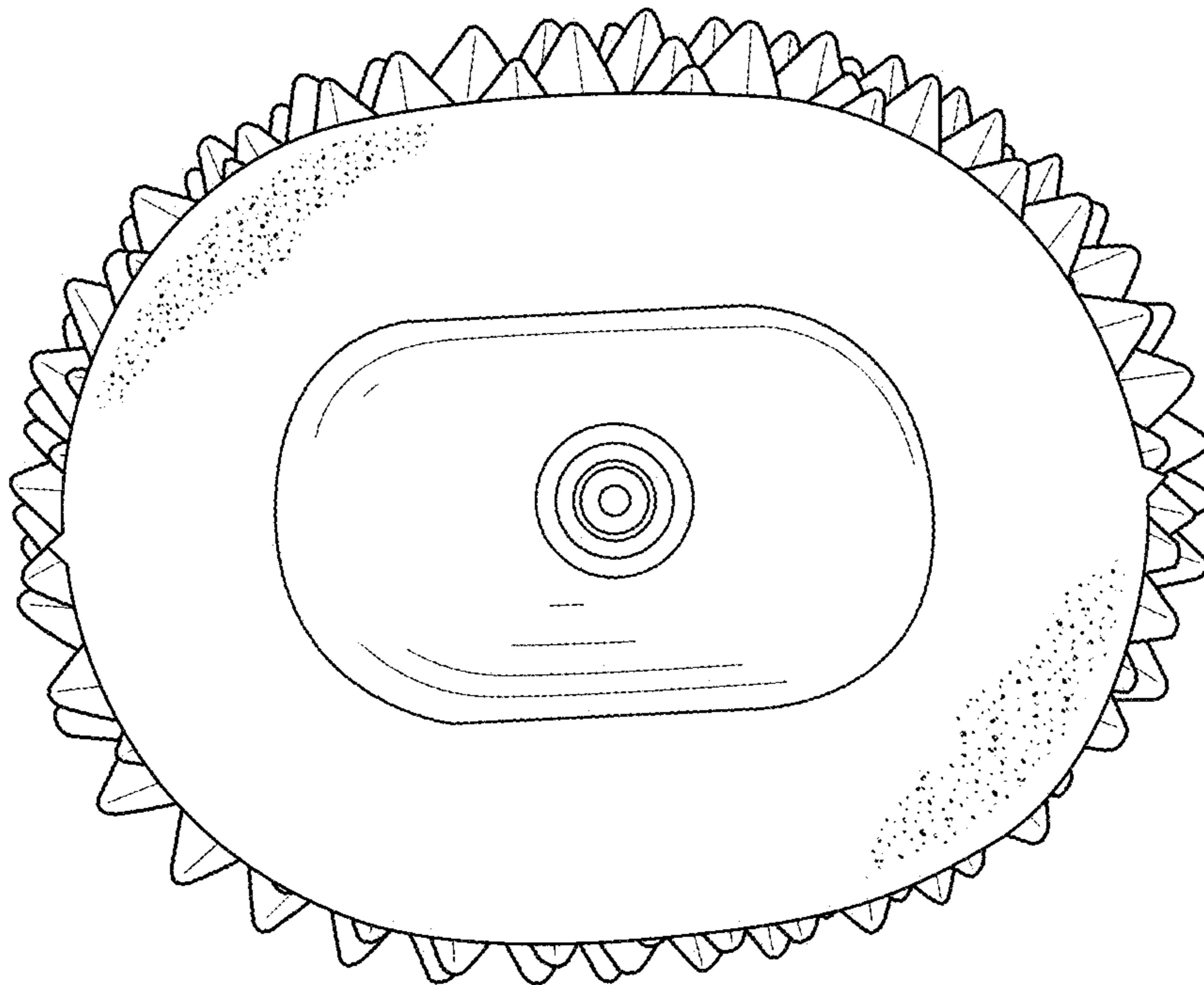


FIG. 45

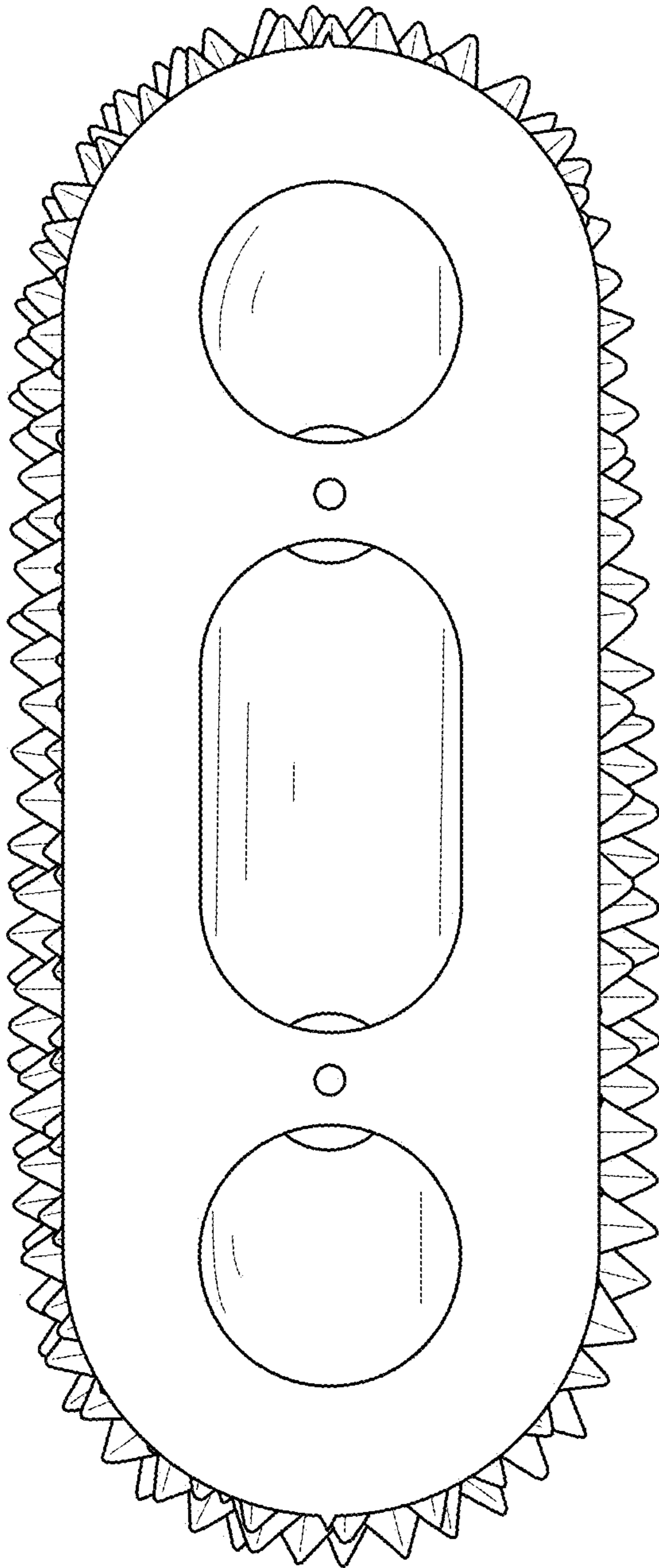


FIG. 47

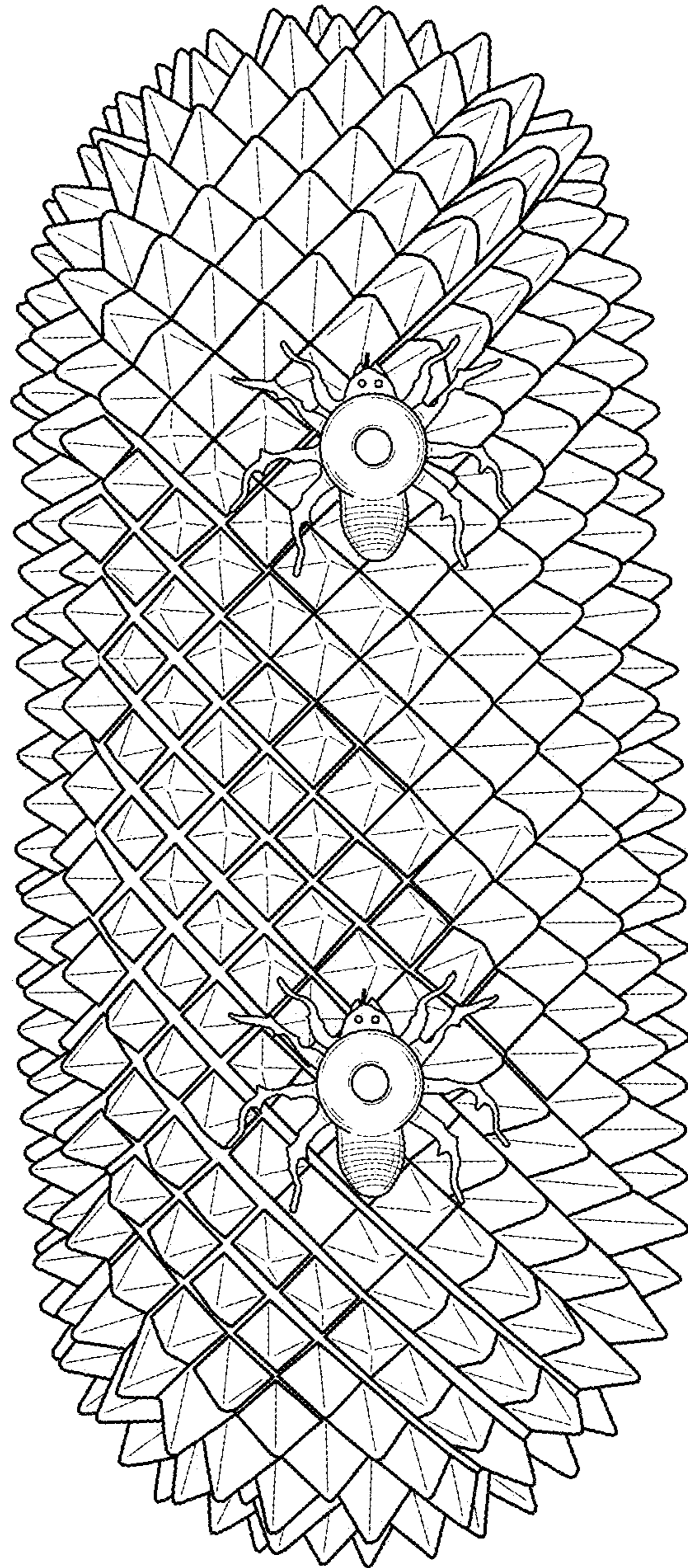


FIG. 48