



US00D911210S

(12) **United States Design Patent**  
**Comolli**

(10) **Patent No.:** **US D911,210 S**  
(45) **Date of Patent:** **\*\* Feb. 23, 2021**

- (54) **EARRING**
- (71) Applicant: **TAMARA COMOLLI Fine Jewelry GmbH, Gmund/Tegernsee (DE)**
- (72) Inventor: **Tamara Comolli, Rottach Egern (DE)**
- (73) Assignee: **TAMARA COMOLLI Fine Jewelry GmbH, Gmund/Tegernsee (DE)**
- (\*\*) Term: **15 Years**
- (21) Appl. No.: **29/681,206**
- (22) Filed: **Feb. 22, 2019**
- (51) **LOC (13) Cl.** ..... **11-01**
- (52) **U.S. Cl.**  
USPC ..... **D11/41**
- (58) **Field of Classification Search**  
USPC ... D11/1, 2, 7, 8, 16, 17, 40-45, 63, 79, 80, D11/84, 87, 88, 91, 92, 97, 68, 75, 76, D11/77, 85, 22, 47, 86, 225, 241, 33, D11/115, 231, 237, 93, 95, 132-140, 3, 6, D11/121; D30/155; D3/207  
CPC ..... A44C 15/005; A44C 15/001; A44C 7/00; A44C 7/002; A44C 7/003; A44C 7/004; A44C 7/005; A44C 7/006; A44C 7/007; A44C 7/008; A44C 7/009; A44C 25/00; A44C 25/001; A44C 25/002; A44C 25/004; A44C 25/007; A44C 1/00; A44C 15/00  
See application file for complete search history.

(56) **References Cited**

**U.S. PATENT DOCUMENTS**

- D12,402 S \* 8/1881 Fairchild ..... D10/68
- 365,853 A \* 7/1887 Palmer ..... A44C 11/002  
63/3
- D281,149 S \* 10/1985 Krogh ..... D11/41
- 4,763,489 A \* 8/1988 Strong ..... A44C 13/00  
24/698.3

- 6,026,658 A \* 2/2000 Weller ..... A44C 15/001  
63/1.11
  - D448,317 S \* 9/2001 North ..... D11/79
  - D517,937 S \* 3/2006 Bulgari ..... D11/79
  - D654,172 S \* 2/2012 Naumann ..... D24/174
- (Continued)

**OTHER PUBLICATIONS**

Tamara Comolli Facebook photo, Mar. 19, 2019, [online], [site visited Sep. 9, 2020]. Retrieved from url:<https://www.facebook.com/TamaraComolli/photos/a.147627828775563/1118538315017838/?type=3&theater> (Year: 2019).\*

(Continued)

*Primary Examiner* — Michelle E. Wilson  
*Assistant Examiner* — Tracey J Bell  
(74) *Attorney, Agent, or Firm* — McCoy Russell LLP

(57) **CLAIM**

The ornamental design for an earring, as shown and described.

**DESCRIPTION**

The patent or application file contains at least one drawing executed in color. Copies of this patent or patent application publication with color drawing(s) will be provided by the Office upon request and payment of the necessary fee.

FIG. 1 is a front-left perspective view of an earring according to the present disclosure.

FIG. 2 is a front view of the earring.

FIG. 3 is a left side view of the earring.

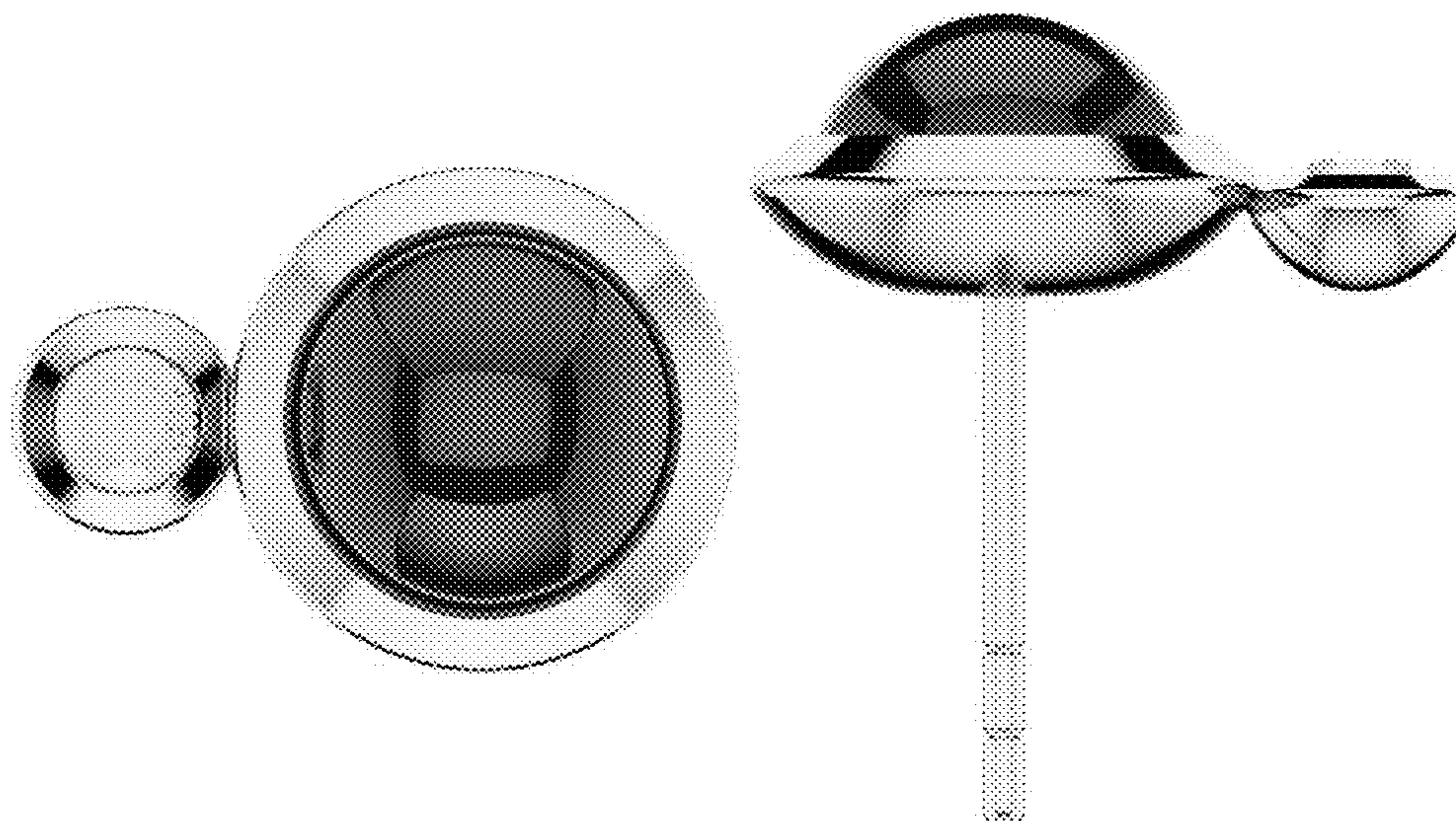
FIG. 4 is a top view of the earring, the bottom view being mirror symmetrical thereto.

FIG. 5 is a right side view of the earring; and,

FIG. 6 is a rear view of the earring.

The photos in FIGS. 1-6 illustrate the earring according to the present disclosure, and any reflection shown by surfaces of the earring forms no part of the claimed design.

**1 Claim, 6 Drawing Sheets**  
**(6 of 6 Drawing Sheet(s) Filed in Color)**



(56)

**References Cited**

U.S. PATENT DOCUMENTS

D662,005 S \* 6/2012 Bennett ..... D11/40  
D703,572 S \* 4/2014 Walker ..... D11/47  
2011/0289965 A1\* 12/2011 Chen ..... A44C 7/003  
63/12  
2015/0320152 A1\* 11/2015 Rafaelian ..... A44C 5/0069  
63/3.2

OTHER PUBLICATIONS

Etsy Amethyst & Diamond White Gold Earrings, no date available,  
[online], [site visited Sep. 9, 2020]. Retrieved from url:<https://www.etsy.com/listing/847635172/amethyst-diamond-white-gold-earrings> (Year: 2020).\*

\* cited by examiner

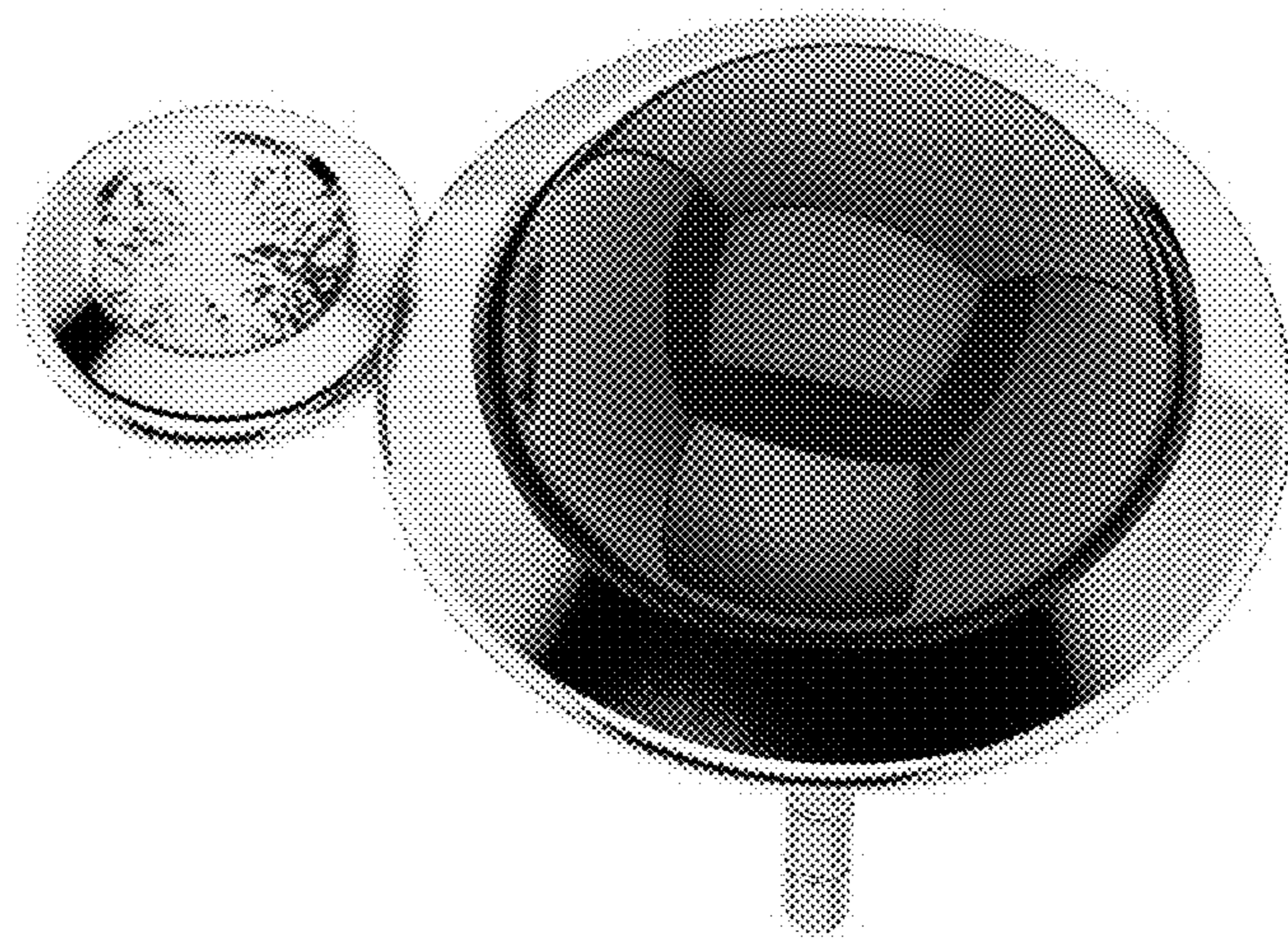


Fig. 1

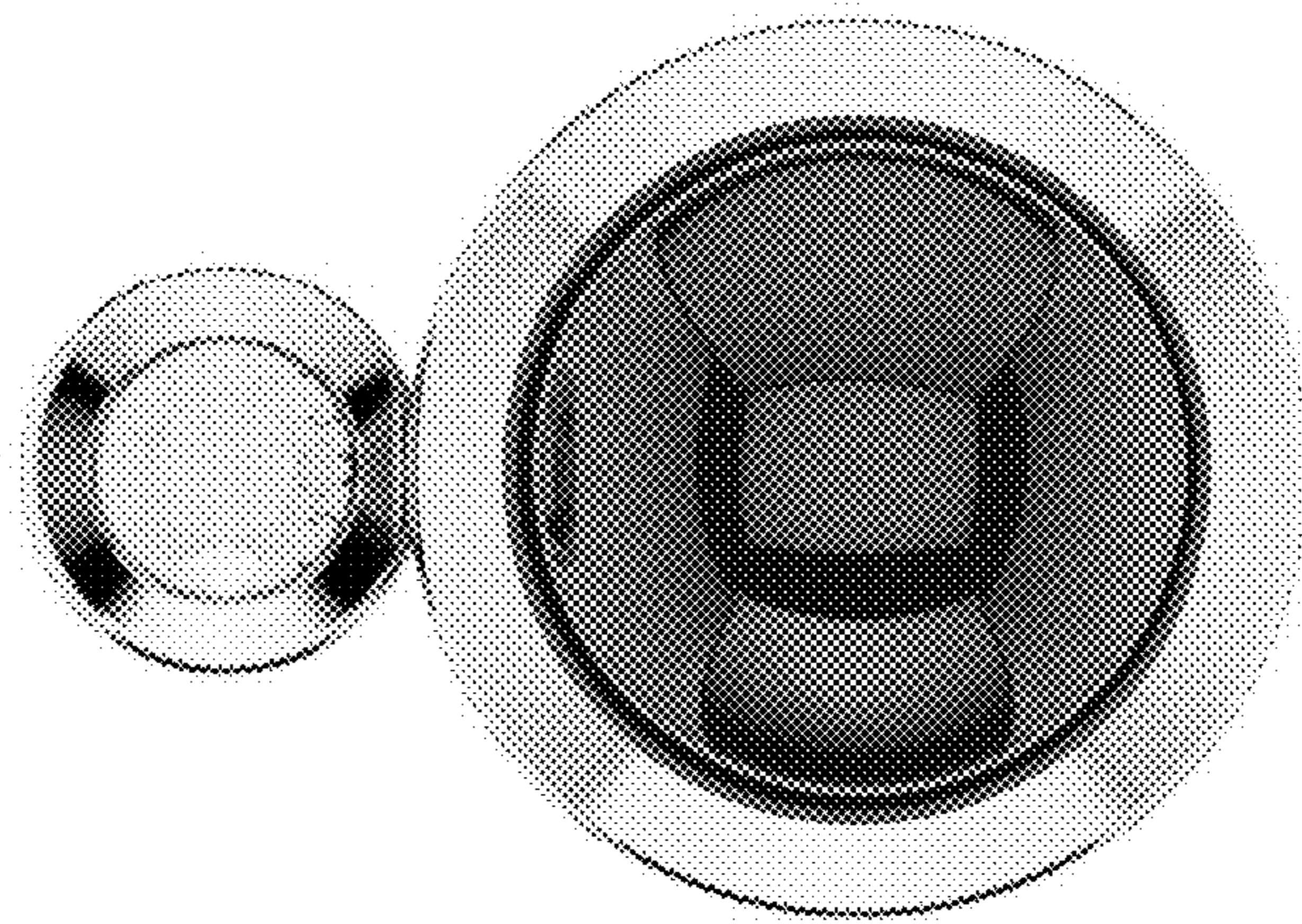


Fig. 2

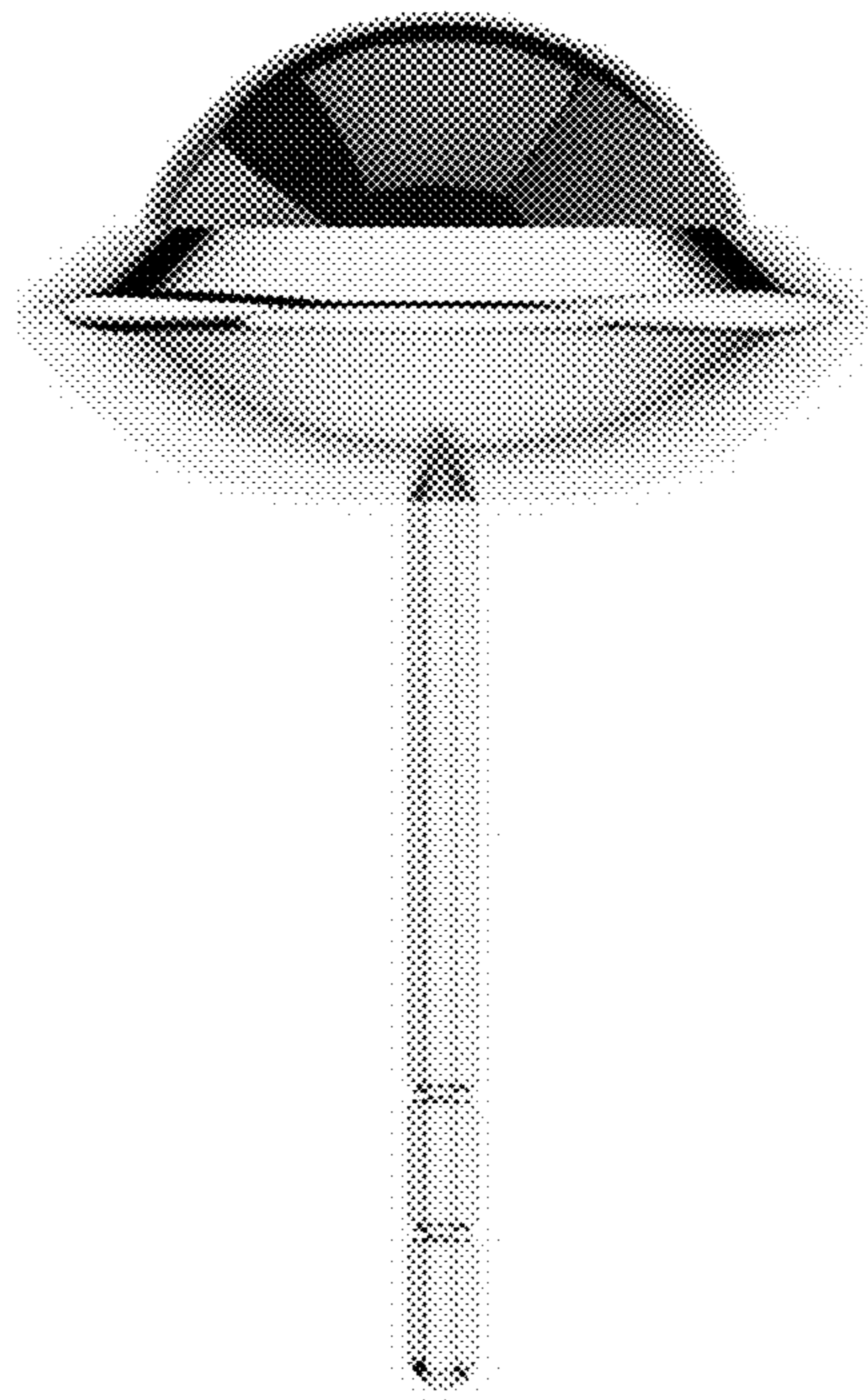


Fig. 3

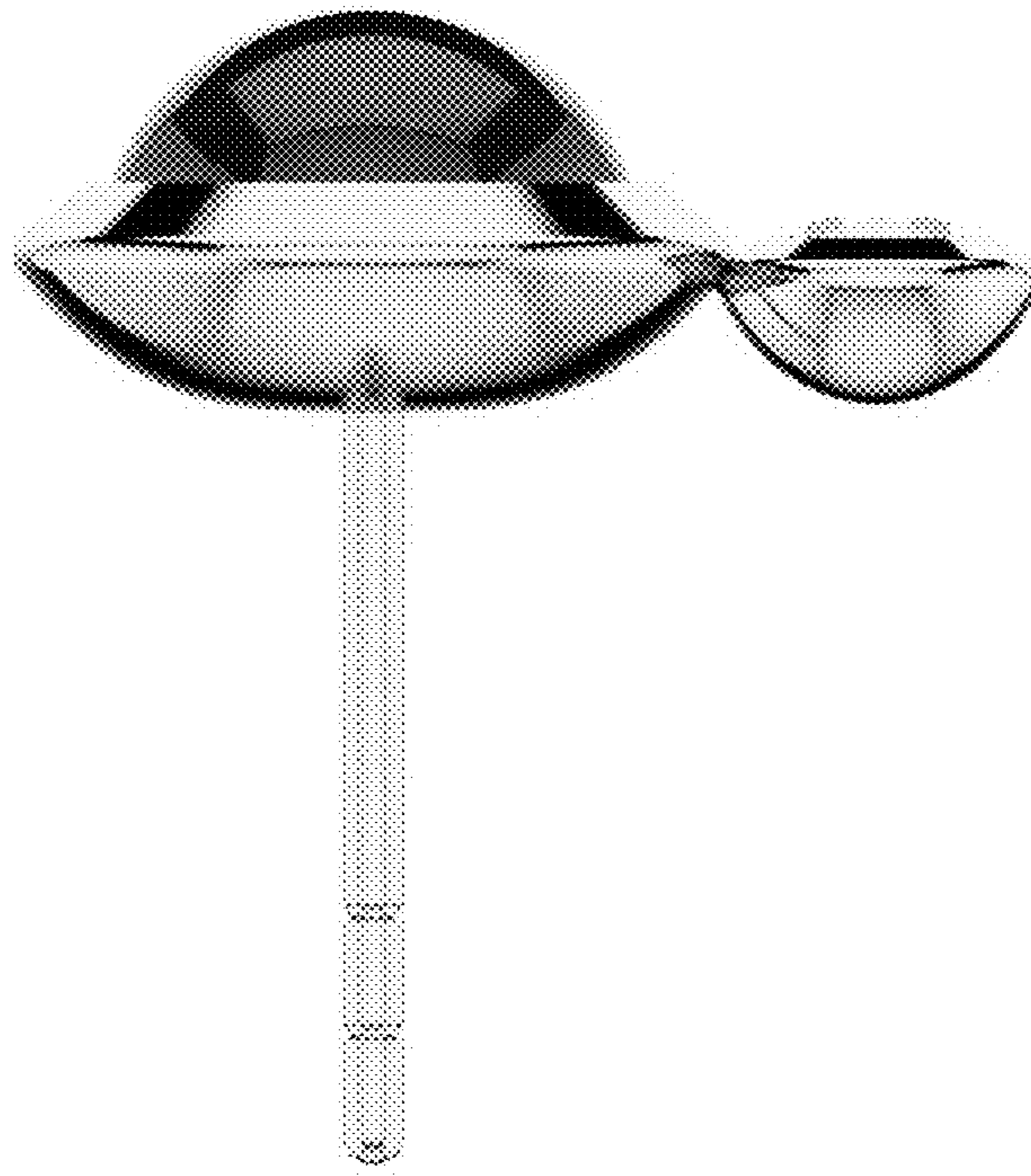


Fig. 4



Fig. 5

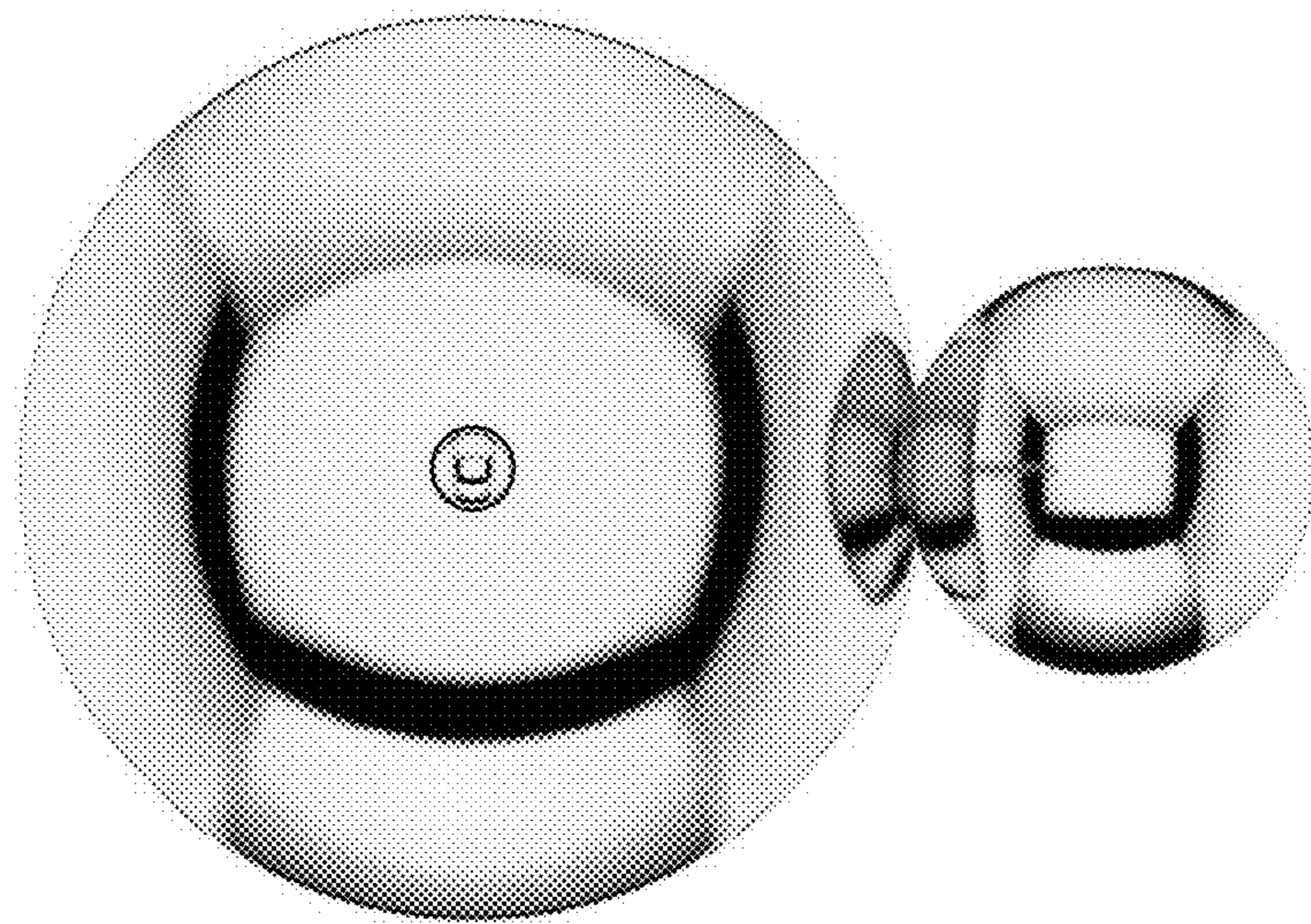


Fig. 6