



US00D911207S

(12) **United States Design Patent**  
**Grace**

(10) **Patent No.:** **US D911,207 S**

(45) **Date of Patent:** **\*\* Feb. 23, 2021**

(54) **WRISTBAND**

(71) Applicant: **Rachel Grace**, Grand Blanc, MI (US)

(72) Inventor: **Rachel Grace**, Grand Blanc, MI (US)

(\*\*) Term: **15 Years**

(21) Appl. No.: **29/717,122**

(22) Filed: **Dec. 15, 2019**

(51) **LOC (13) Cl.** ..... **11-01**

(52) **U.S. Cl.**  
USPC ..... **D11/3**

(58) **Field of Classification Search**  
USPC ..... D11/1-6; D14/344; D26/38, 39  
CPC ..... A44C 15/0015; A44C 15/002; A44C  
15/0025; A44C 15/003; A44C 15/004;  
A44C 5/00; A44C 5/0007; A44C 5/0015;  
A44C 5/0023; A44C 5/003; A44C  
5/0053; A44C 5/0084

See application file for complete search history.

(56) **References Cited**

**U.S. PATENT DOCUMENTS**

D111,135 S *	9/1938	Ebbed	.....	D11/4
2,378,755 A *	6/1945	Dowling	.....	A44C 5/00 40/640
D158,918 S *	6/1950	Winn	.....	D10/32
D340,879 S *	11/1993	French	.....	D11/3
D349,468 S *	8/1994	Souren	.....	D11/3
D495,267 S *	8/2004	Pachachi	.....	D11/5
D617,231 S *	6/2010	Adamson	.....	D11/4

D714,178 S *	9/2014	Sabbioni	.....	D11/3
D780,000 S *	2/2017	Taglia	.....	D11/6
2001/0008074 A1 *	7/2001	Radley-Smith	.....	A44C 5/0015 63/3
2005/0189906 A1 *	9/2005	Sun	.....	A44C 5/0007 320/107
2010/0251768 A1 *	10/2010	McAnally	.....	A44C 5/0015 63/3
2010/0300147 A1 *	12/2010	Farmer	.....	A44C 15/0015 63/3.1
2012/0023796 A1 *	2/2012	Waltersdorf	.....	A44C 5/0015 40/633
2017/0000222 A1 *	1/2017	Lee	.....	A44C 5/14
2017/0005504 A1 *	1/2017	Rho	.....	G04G 17/04

\* cited by examiner

*Primary Examiner* — Llorellys Martinez  
(74) *Attorney, Agent, or Firm* — Mitchell Law PLLC;  
Matthew W. Mitchell

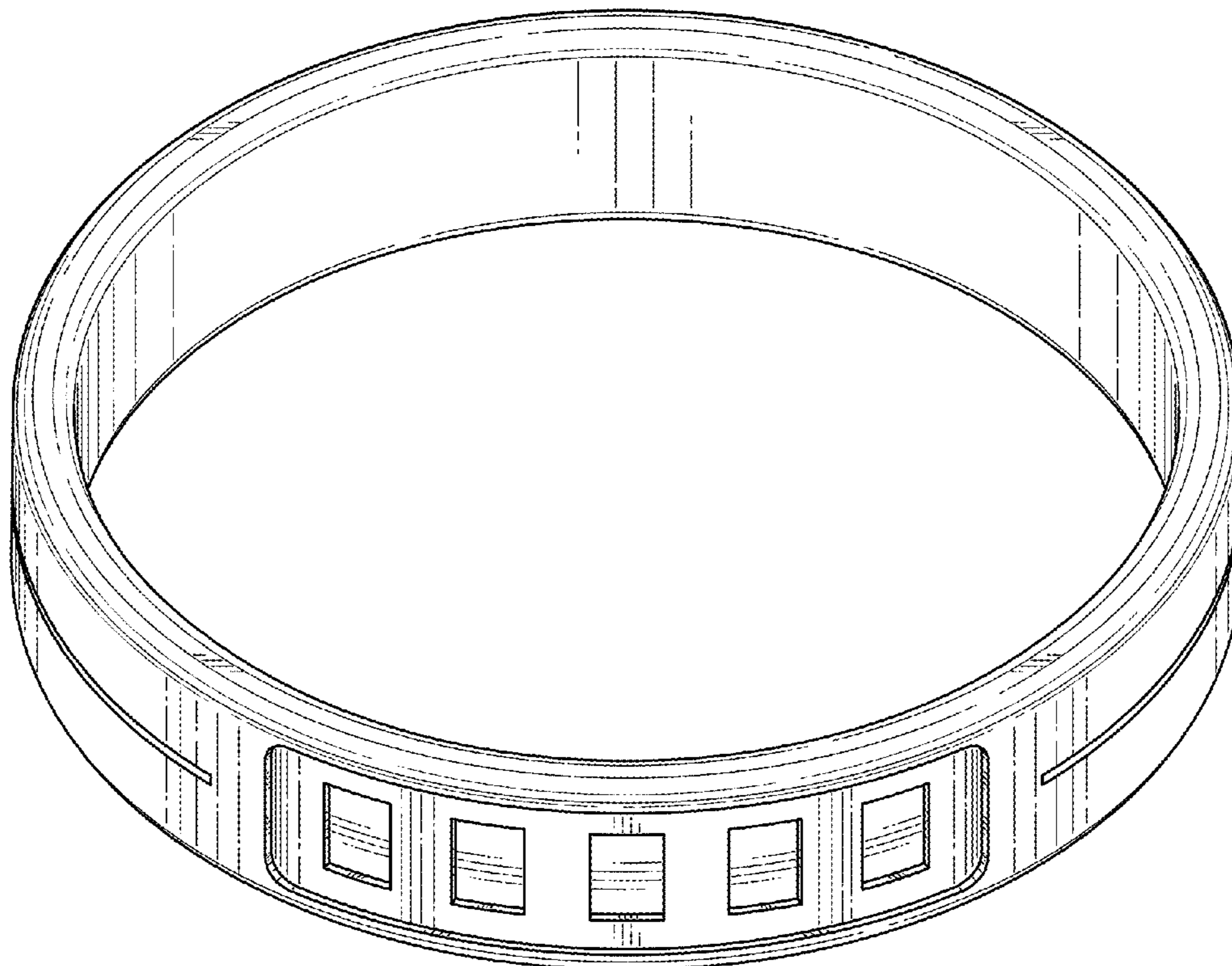
(57) **CLAIM**

The ornamental design for a wristband, as shown and described.

**DESCRIPTION**

FIG. 1 is a front isometric view of the wristband of the present invention;  
FIG. 2 is a front view thereof;  
FIG. 3 is rear view thereof;  
FIG. 4 is a right-side view thereof;  
FIG. 5 is a left-side view thereof;  
FIG. 6 is a top plan view thereof; and,  
FIG. 7 is a bottom plan view thereof.

**1 Claim, 7 Drawing Sheets**



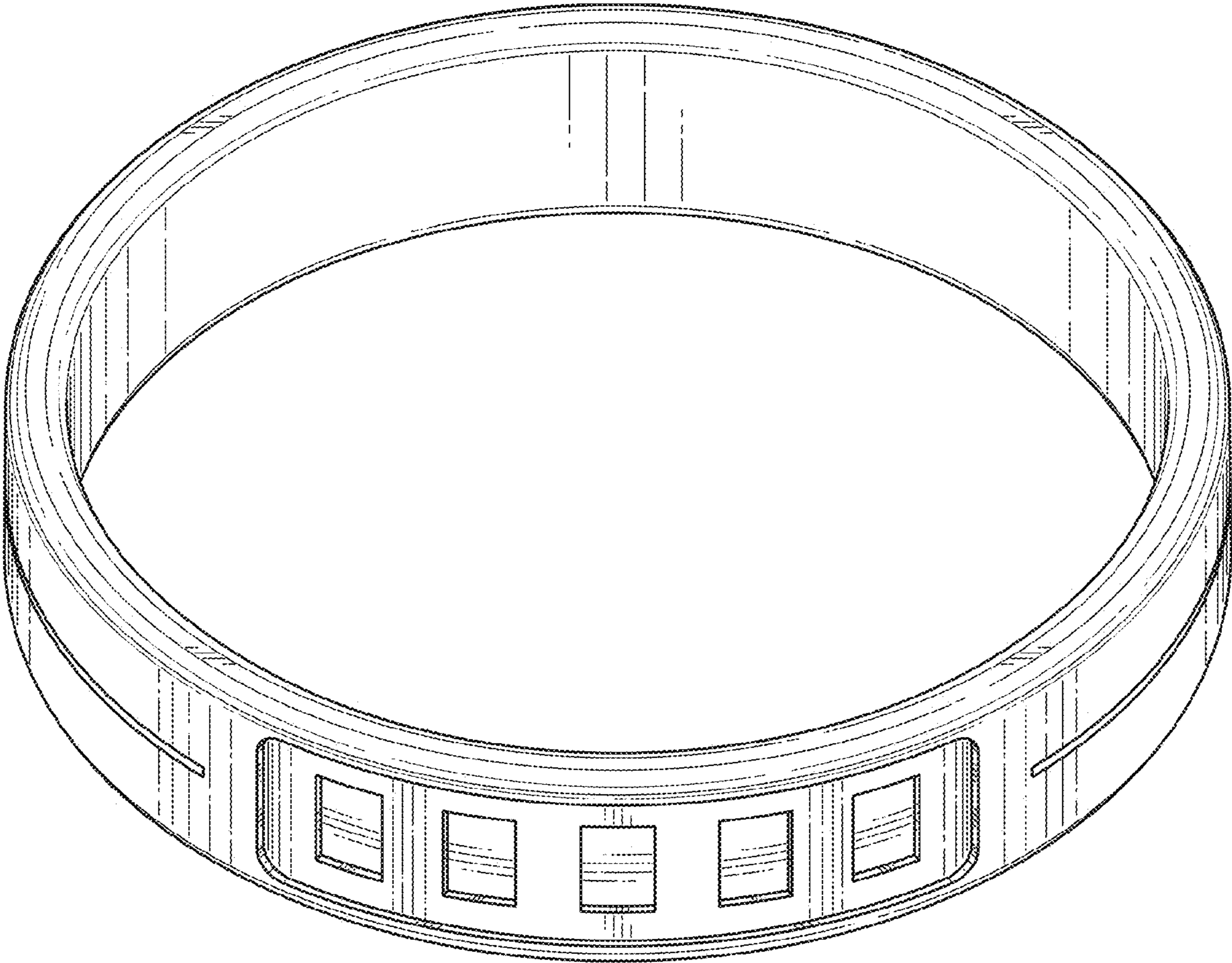


FIG. 1

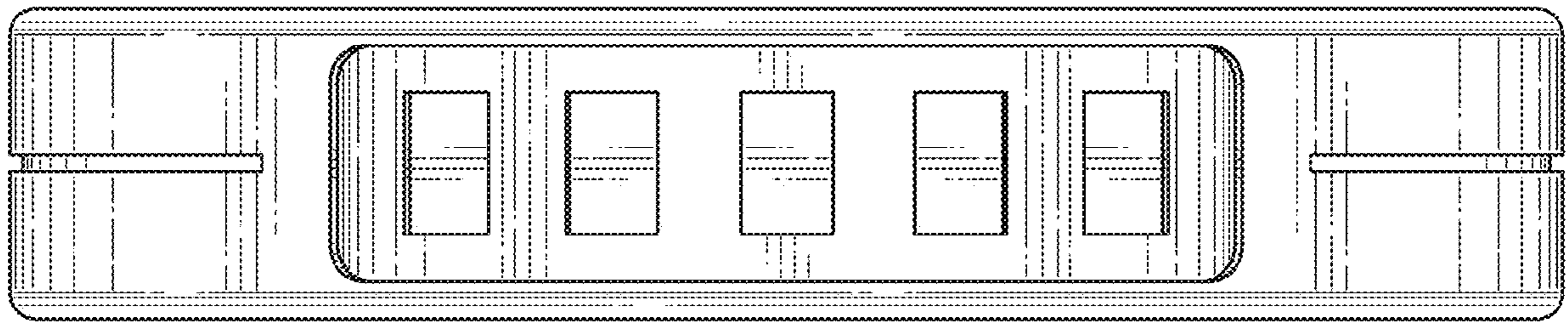


FIG. 2

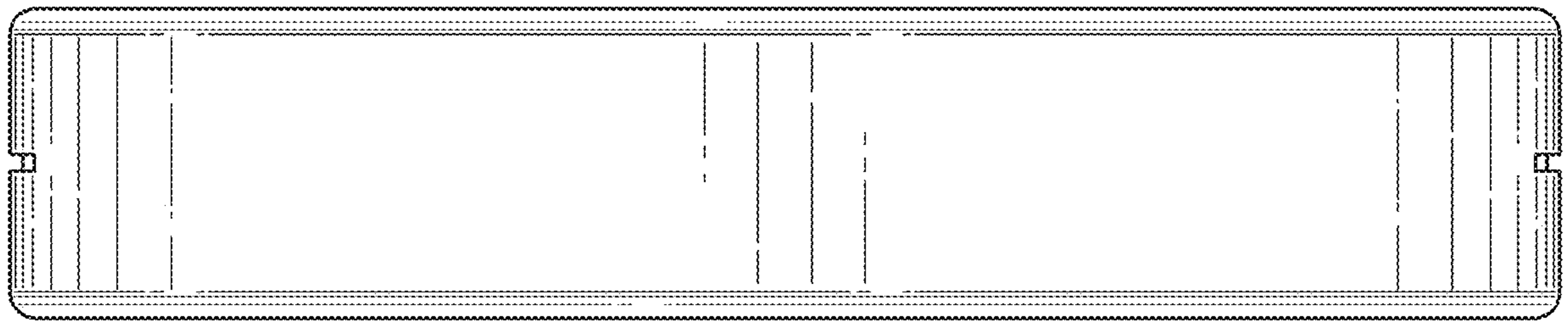


FIG. 3

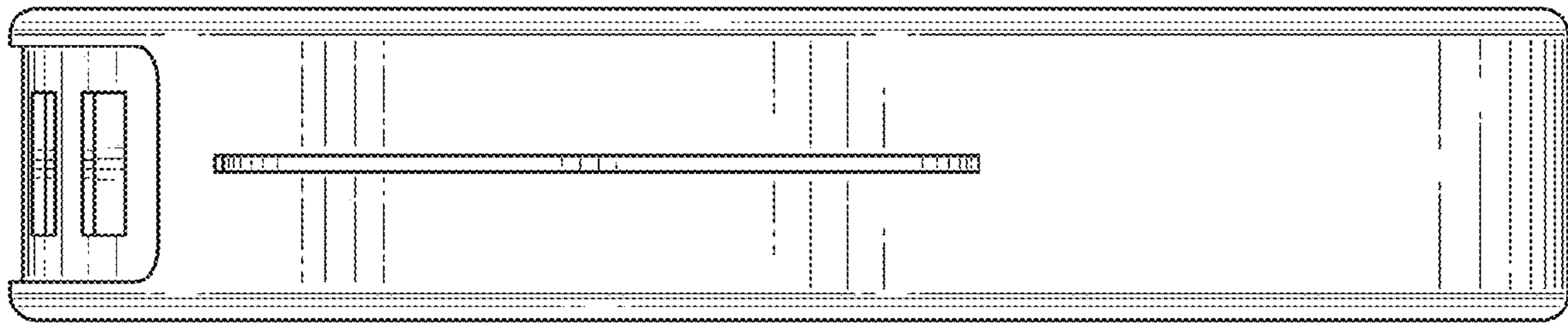


FIG. 4

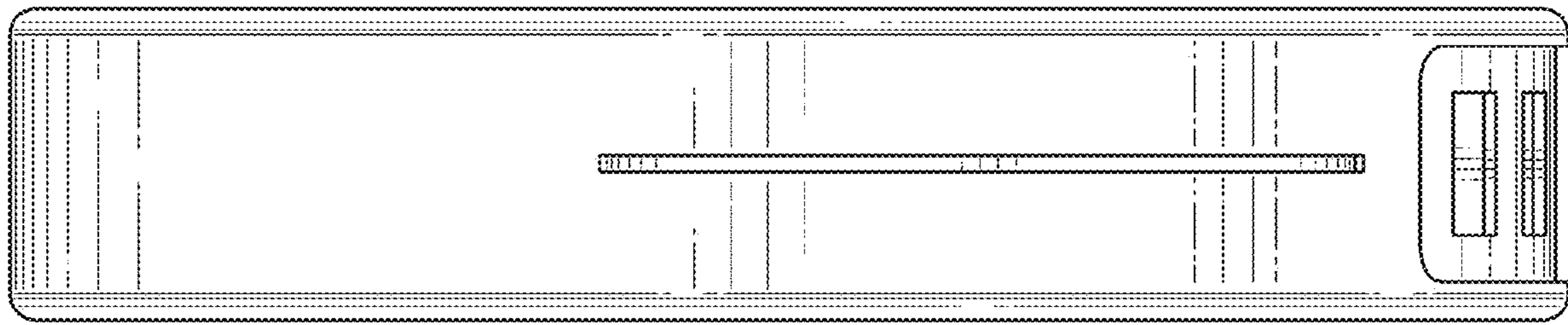


FIG. 5

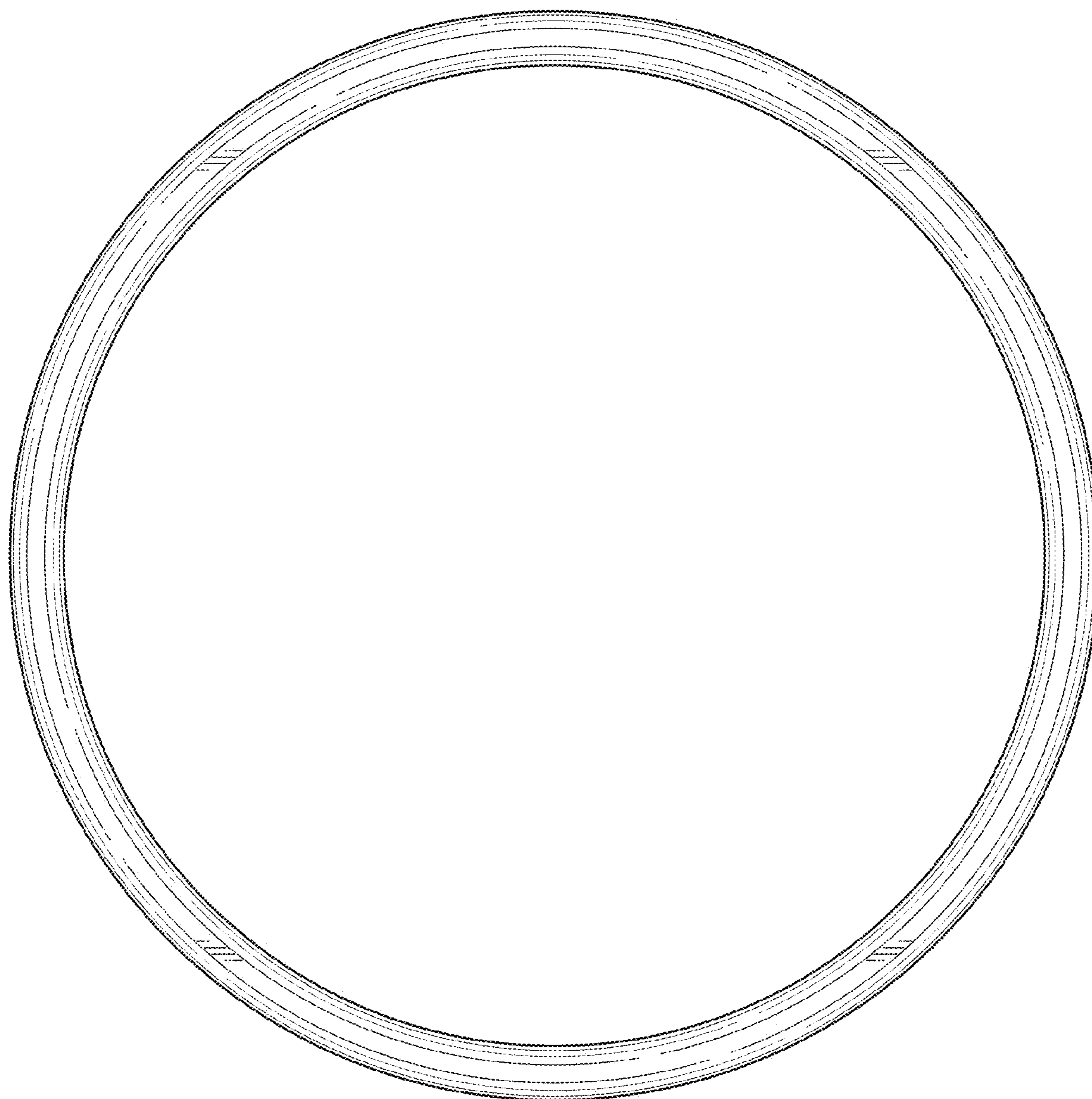


FIG. 6

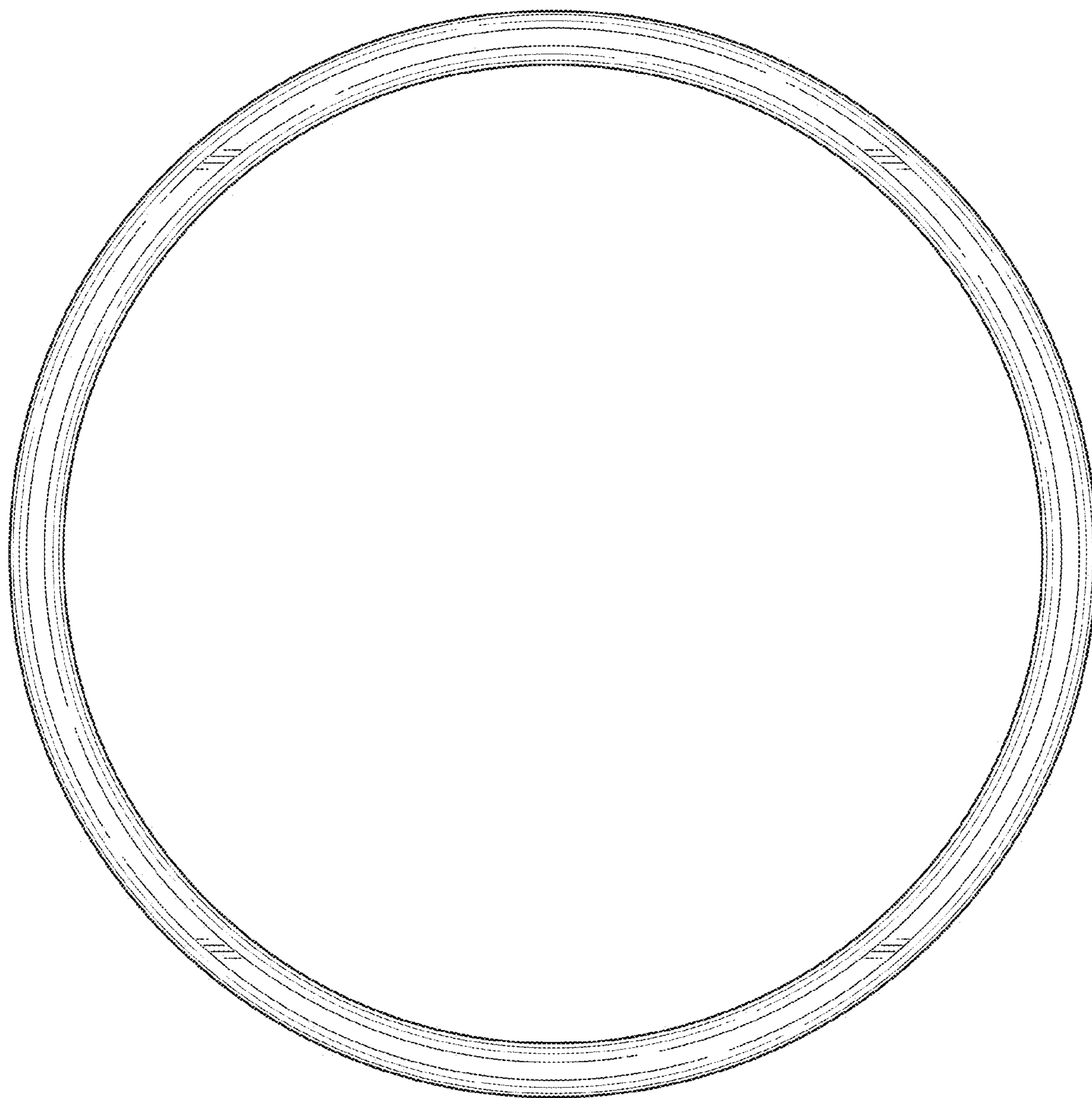


FIG. 7