



US00D911205S

(12) **United States Design Patent** (10) **Patent No.:** **US D911,205 S**  
**Chung et al.** (45) **Date of Patent:** **\*\* Feb. 23, 2021**

(54) **WRISTBAND FOR PORTABLE ELECTRONIC DEVICE**

FOREIGN PATENT DOCUMENTS

(71) Applicant: **Samsung Electronics Co., Ltd.**,  
Suwon-si (KR)

CN 201530337615.9 4/2016  
KR 30-2013-0047508 1/2015

(Continued)

(72) Inventors: **In-Sik Chung**, Suwon-si (KR); **Sanhui Oh**, Suwon-si (KR); **Kwang Ha Choi**, Suwon-si (KR); **Jae-Hyung Hong**, Suwon-si (KR)

OTHER PUBLICATIONS

(73) Assignee: **Samsung Electronics Co., Ltd.**,  
Suwon-si (KR)

General. "General Generic SIM/TF Bluetooth Sport Pedometer Wrist Watch A1G08 Smartwatch for Android Smartphone And Apple 5 5s 6 6 Plus (white)." [2019] www.jumia.com Apr. 22, 2019 <<https://www.jumia.com.ng/general-generic-simtf-bluetooth-sport-pedometer-wrist-watch-a1g08-smartwatch-for-android-smartphone-and-apple-5-5s-6-6-plus-white-30293392.html>>.

(Continued)

(\*\*) Term: **15 Years**

*Primary Examiner* — Llorellys Martinez

(21) Appl. No.: **29/688,439**

(74) *Attorney, Agent, or Firm* — NSIP Law

(22) Filed: **Apr. 22, 2019**

(30) **Foreign Application Priority Data**

Jan. 23, 2019 (KR) ..... 30-2019-0003445

(51) **LOC (13) Cl.** ..... **11-01**

(52) **U.S. Cl.**  
USPC ..... **D11/3**

(58) **Field of Classification Search**  
USPC ..... D11/1-3, 86, 87; D14/344; D24/167;  
D10/31, 32  
CPC ..... A44C 5/00; A44C 5/0007; A44C 5/0015;  
A44C 5/0023; A44C 5/003; A44C  
5/0053; A44C 5/14; A44C 5/16; A44C  
5/2052; A44C 5/2057; A44C 5/2071  
See application file for complete search history.

(57) **CLAIM**

We claim the ornamental design for a wristband for portable electronic device, as shown and described.

(56) **References Cited**

U.S. PATENT DOCUMENTS

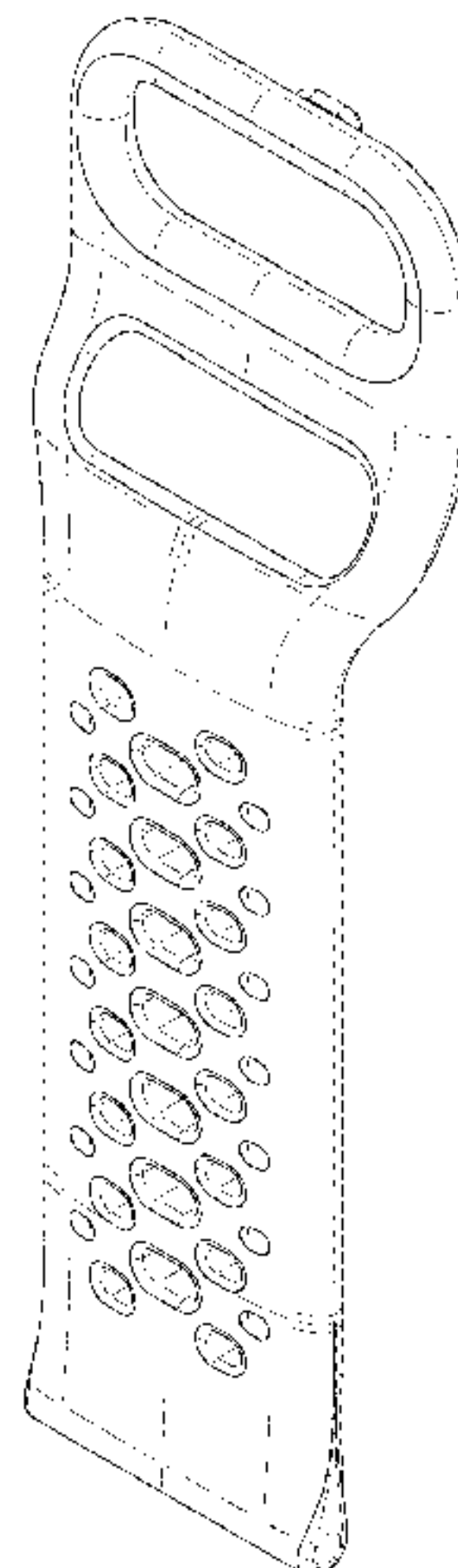
D126,086 S \* 3/1941 Bayan ..... D11/3  
D136,558 S \* 10/1943 Sewer ..... D11/3  
D152,417 S \* 1/1949 Glass ..... D11/3  
D285,422 S \* 9/1986 Grimes ..... D11/4  
D726,056 S \* 4/2015 Riddiford ..... D11/3  
D727,197 S \* 4/2015 Akana ..... D11/3

(Continued)

**DESCRIPTION**

FIG. 1 is a front perspective view of a wristband for portable electronic device showing our new design;  
FIG. 2 is a front view thereof;  
FIG. 3 is a rear view thereof;  
FIG. 4 is a left side view thereof;  
FIG. 5 is a right side view thereof;  
FIG. 6 is a top view thereof;  
FIG. 7 is a bottom view thereof;  
FIG. 8 is a rear perspective view thereof; and,  
FIG. 9 is a cross-sectional view thereof taken vertically through line 9-9 in FIG. 2.  
The broken lines in the figures depict portions of the wristband for portable electronic device that form no part of the claimed design.

**1 Claim, 9 Drawing Sheets**



(56)

References Cited

U.S. PATENT DOCUMENTS

D747,997 S \* 1/2016 Akana ..... D11/3  
 D756,822 S \* 5/2016 Akana ..... D24/167  
 D756,832 S \* 5/2016 Riddiford ..... D11/3  
 D779,993 S \* 2/2017 Akana ..... D11/3  
 D793,269 S \* 8/2017 Magniez ..... D11/3  
 D793,270 S \* 8/2017 Riddiford ..... D11/3  
 D795,120 S \* 8/2017 Bayley ..... D11/3  
 D795,731 S \* 8/2017 Bayley ..... D11/3  
 D821,246 S \* 6/2018 Akana ..... D11/3  
 D824,273 S \* 7/2018 Akana ..... D11/3  
 D858,515 S \* 9/2019 Akana ..... D14/344  
 D875,728 S \* 2/2020 Wu ..... D14/344  
 D881,059 S \* 4/2020 Schowalter ..... D11/3  
 D881,876 S \* 4/2020 Xiao ..... D14/344  
 D884,695 S \* 5/2020 Jones ..... D14/344  
 D889,304 S \* 7/2020 Paschke ..... D11/3  
 D891,285 S \* 7/2020 Tse ..... D11/3  
 D894,179 S \* 8/2020 Chung ..... D14/344  
 2017/0215530 A1 \* 8/2017 Grifoni ..... A44C 5/2071

2018/0017943 A1 \* 1/2018 Huang ..... A44C 5/0015  
 2018/0294554 A1 \* 10/2018 Xu ..... A44C 5/0053  
 2020/0205530 A1 \* 7/2020 Hinds ..... A44C 5/2071

FOREIGN PATENT DOCUMENTS

KR 30-2018-0002969 11/2018  
 KR 30-2018-0003695 11/2018

OTHER PUBLICATIONS

Bouchard, Anthony. "Nike's new sneaker-matching Apple Watch bands now available for purchase." [2017] [www.idownloadblog.com](http://www.idownloadblog.com) Jun. 1, 2017 <<https://www.idownloadblog.com/2017/06/01/nikes-new-sneaker-matching-apple-watch-bands-are-available-for-purchase/>>.  
 sylvito06. "Sony SmartWatch 3 SWR50—Montre intelligente—affichage 1.6"-4 Go—Wi-Fi, NFC, Bluetooth—45 g—noir Sony" [2019] [www.fr.shopping.rakuten.com](http://www.fr.shopping.rakuten.com) Apr. 22, 2019 <<https://fr.shopping.rakuten.com/offer/buy/440620604/sony-smartwatch-3-swr50-noir.html>>.

\* cited by examiner

FIG. 1

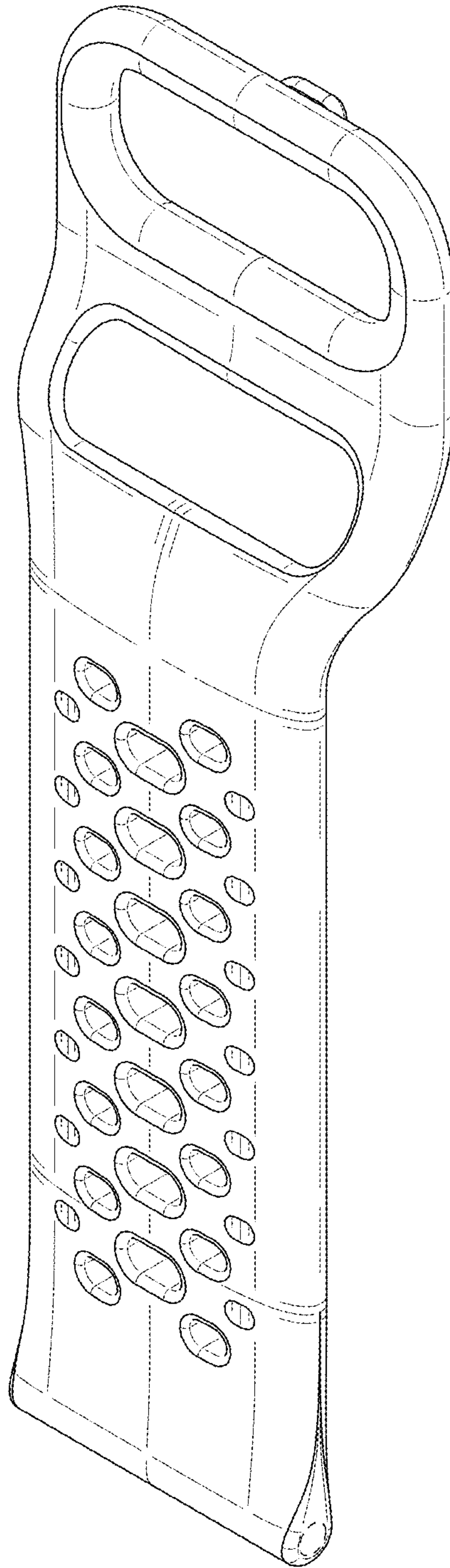


FIG. 2

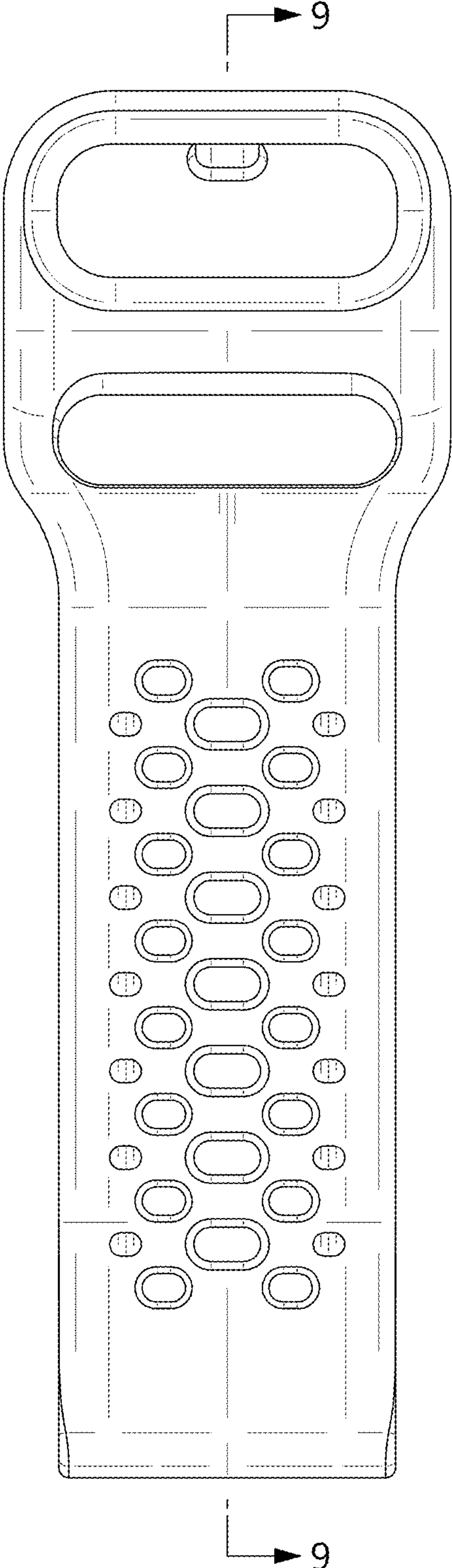




FIG. 3

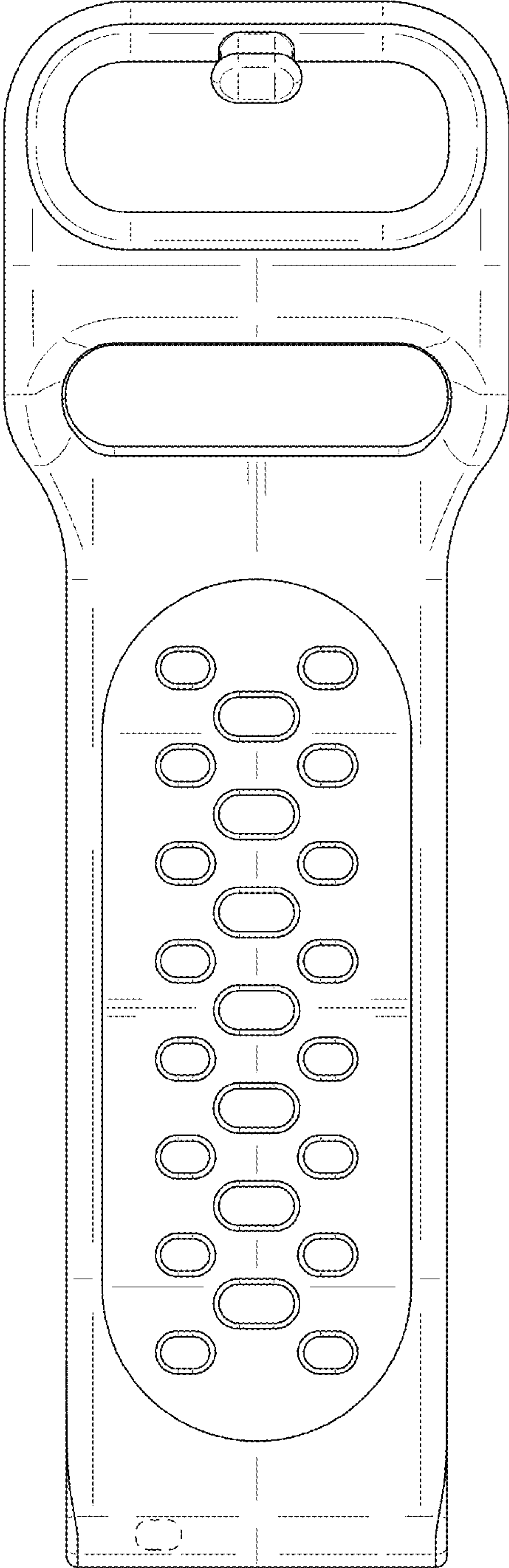


FIG. 4

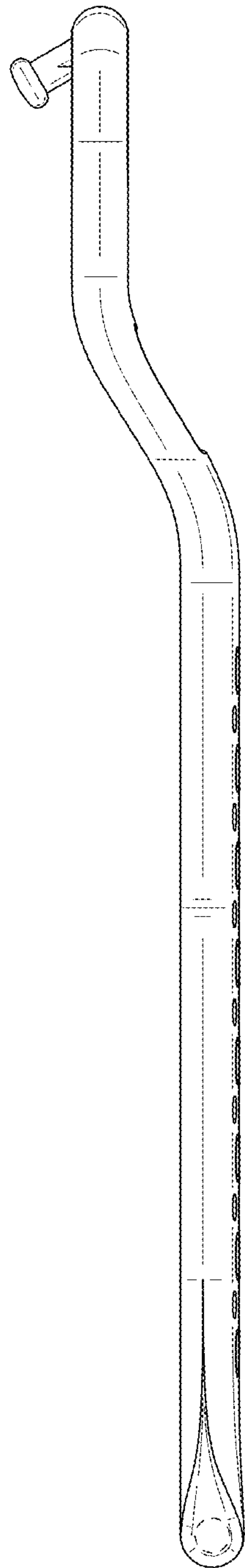


FIG. 5

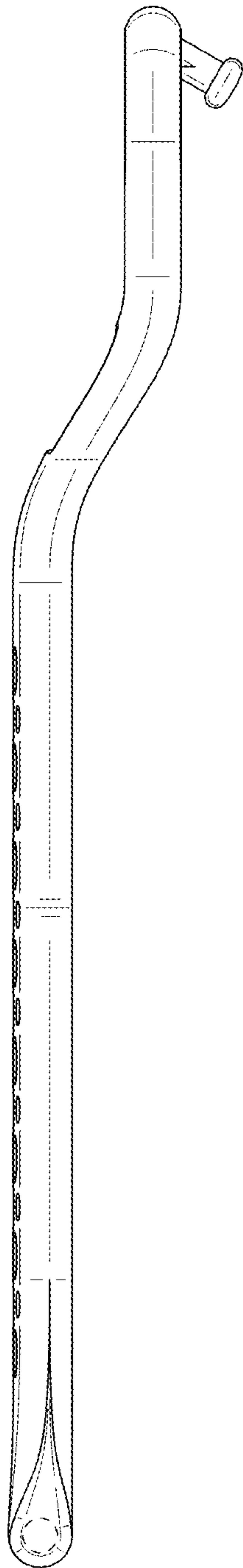


FIG. 6

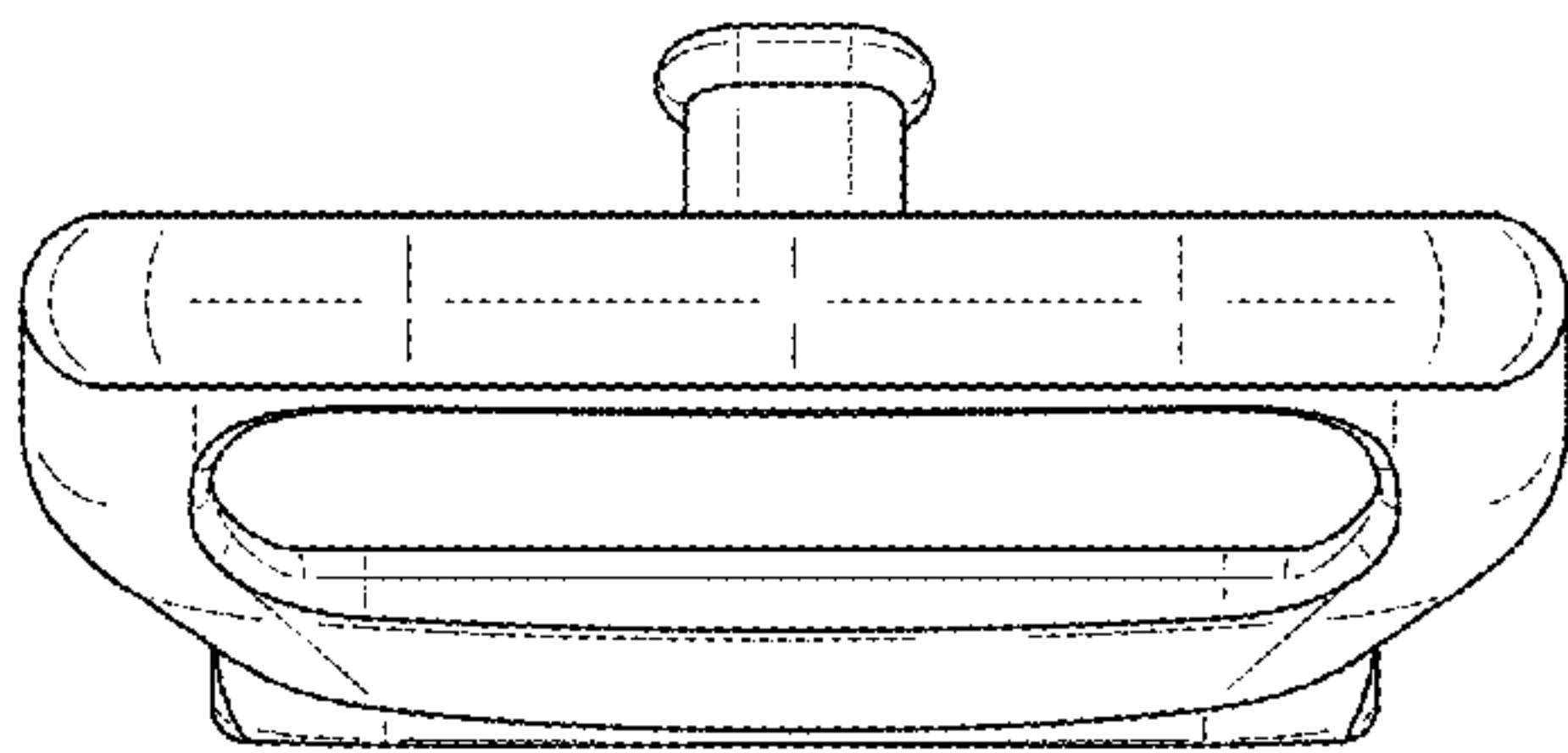




FIG. 7

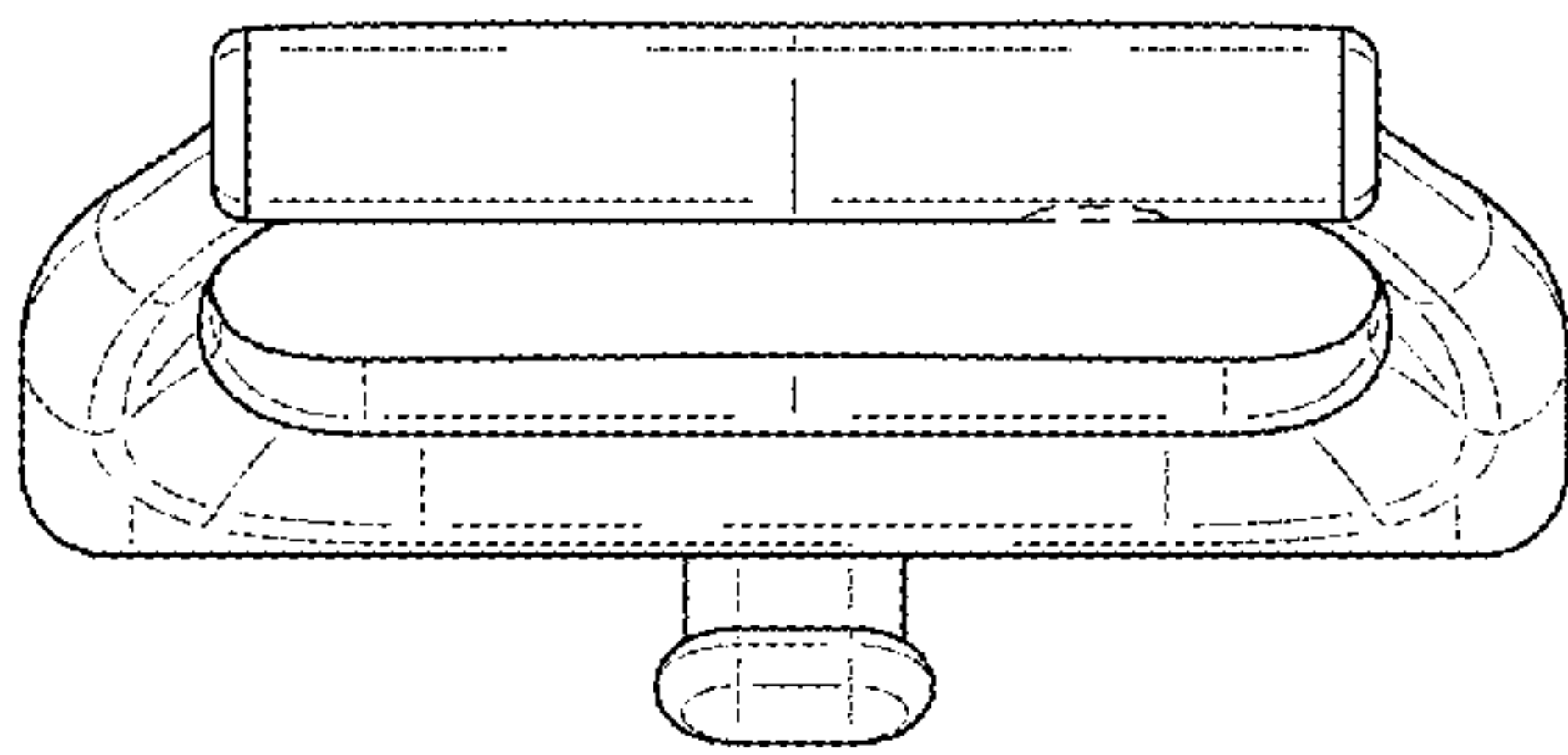


FIG. 8

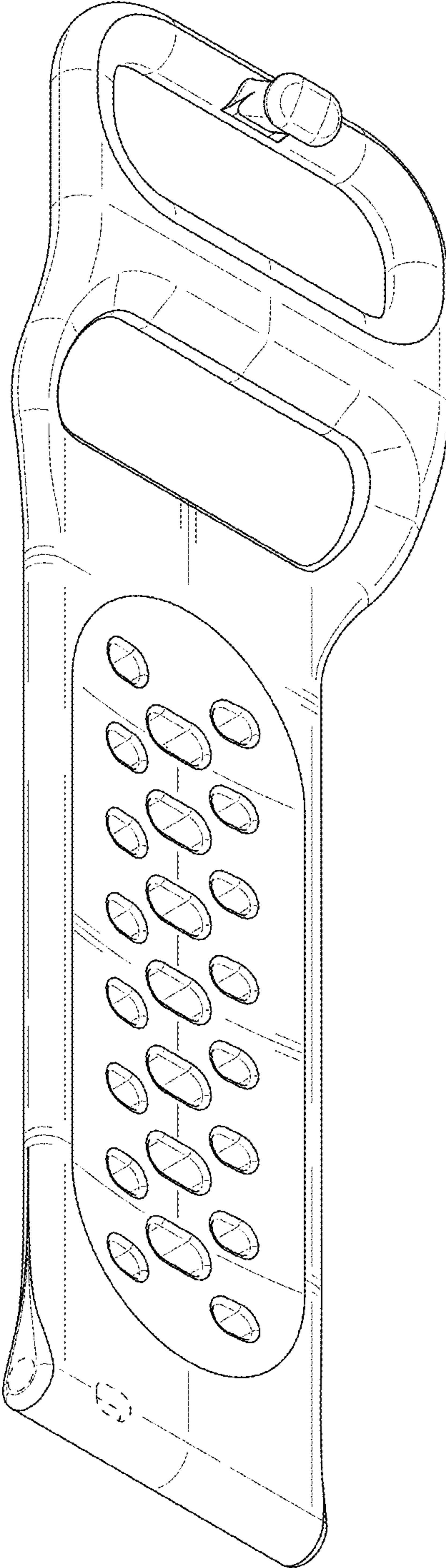


FIG. 9

