



US00D911204S

(12) **United States Design Patent** (10) **Patent No.:** **US D911,204 S**  
**Bicego** (45) **Date of Patent:** **\*\* Feb. 23, 2021**

(54) **ARTICLE OF JEWELRY**  
(71) Applicant: **MARCO BICEGO S.P.A.**, Trissino (IT)  
(72) Inventor: **Marco Bicego**, Trissino (IT)  
(73) Assignee: **Marco Bicego S.P.A.**, Trissino (IT)  
(\*\*) Term: **15 Years**

D691,911 S \* 10/2013 Hardy ..... D11/26  
D702,589 S \* 4/2014 Pasquetti ..... D11/84  
D703,084 S \* 4/2014 Parvex ..... D11/1  
D713,754 S \* 9/2014 Pasquetti ..... D11/33  
D802,468 S \* 11/2017 Barden ..... D11/40  
D831,520 S \* 10/2018 Buccellati ..... D11/1  
D844,478 S \* 4/2019 Buccellati ..... D11/1  
D870,590 S \* 12/2019 Parvex ..... D11/84  
D876,274 S \* 2/2020 Parvex ..... D11/63  
D877,643 S \* 3/2020 Matter ..... D11/26

(21) Appl. No.: **29/695,290**  
(22) Filed: **Jun. 18, 2019**  
(51) **LOC (13) Cl.** ..... **11-01**  
(52) **U.S. Cl.**  
USPC ..... **D11/1**  
(58) **Field of Classification Search**  
USPC ..... D11/1, 26-39, 40, 49, 63, 67, 86, 91, 92  
CPC ..... A44C 1/00; A44C 25/001; A44C 17/02  
See application file for complete search history.

**OTHER PUBLICATIONS**

Marco Bicego Facebook page—Lunaria Petali Collection, published on Feb. 20, 2019, online. Site visited on: Jul. 16, 2020. Internet URL:<“https://www.facebook.com/MarcoBicegoJewels/photos/a.156422001096567/2578043218934421/” (Year: 2019).\*

\* cited by examiner

*Primary Examiner* — Llorellys Martinez  
(74) *Attorney, Agent, or Firm* — Workman Nydegger

(56) **References Cited**

**U.S. PATENT DOCUMENTS**

D21,690 S \* 7/1892 Fuchs ..... D11/63  
2,070,157 A \* 2/1937 Dinhofer ..... A44C 17/02  
63/27  
D121,208 S \* 6/1940 Katz ..... D11/8  
D123,658 S \* 11/1940 Silson ..... D11/63  
D129,570 S \* 9/1941 Mark ..... D11/63  
D132,523 S \* 5/1942 Gerstenzang ..... D11/67  
D135,301 S \* 3/1943 Meyer ..... D11/67  
D135,780 S \* 6/1943 Levy ..... D11/40  
D137,649 S \* 4/1944 Steiner ..... D11/67  
D141,301 S \* 5/1945 Hobe ..... D11/67  
D155,178 S \* 9/1949 Ostier ..... D11/91  
D160,203 S \* 9/1950 Philippe ..... D11/67  
D404,337 S \* 1/1999 Goodman ..... D11/86  
D614,070 S \* 4/2010 Cabarbaye ..... D11/34  
D614,073 S \* 4/2010 Cabarbaye ..... D11/43  
D658,083 S \* 4/2012 Ghirardi ..... D11/1  
D680,022 S \* 4/2013 Parvex ..... D11/34

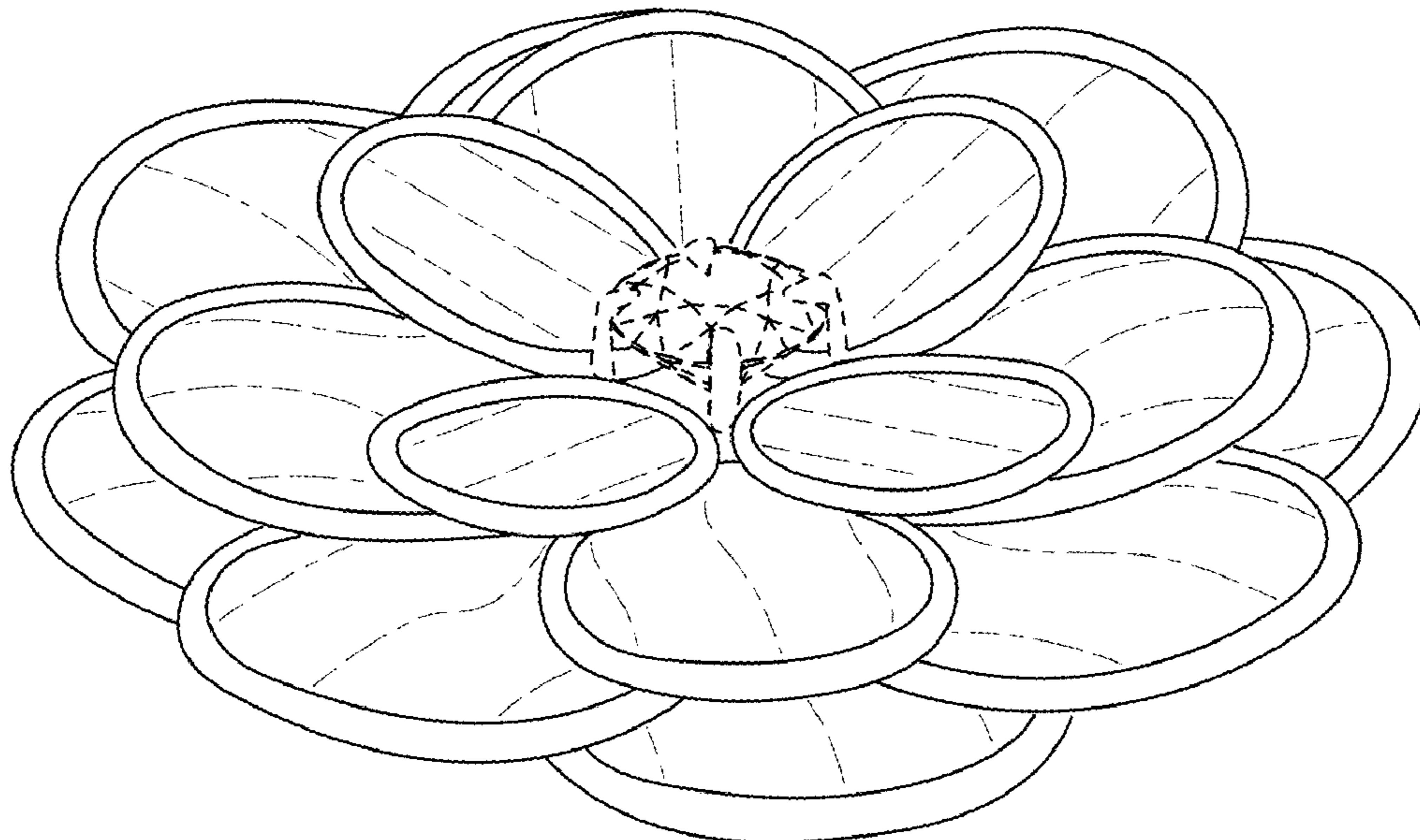
(57) **CLAIM**

The ornamental design for an article of jewelry, as shown and described.

**DESCRIPTION**

FIG. 1 is a top perspective view of an article of jewelry showing my new design;  
FIG. 2 is a bottom perspective view thereof;  
FIG. 3 is a top plan view thereof;  
FIG. 4 is a bottom plan view thereof;  
FIG. 5 is a front elevational view thereof;  
FIG. 6 is a rear elevational view thereof;  
FIG. 7 is a right side elevational view thereof; and,  
FIG. 8 is a left side elevational view thereof.  
The broken lines in FIGS. 1 and 3 represent portions of the article of jewelry that form no part of the claimed design.

**1 Claim, 3 Drawing Sheets**



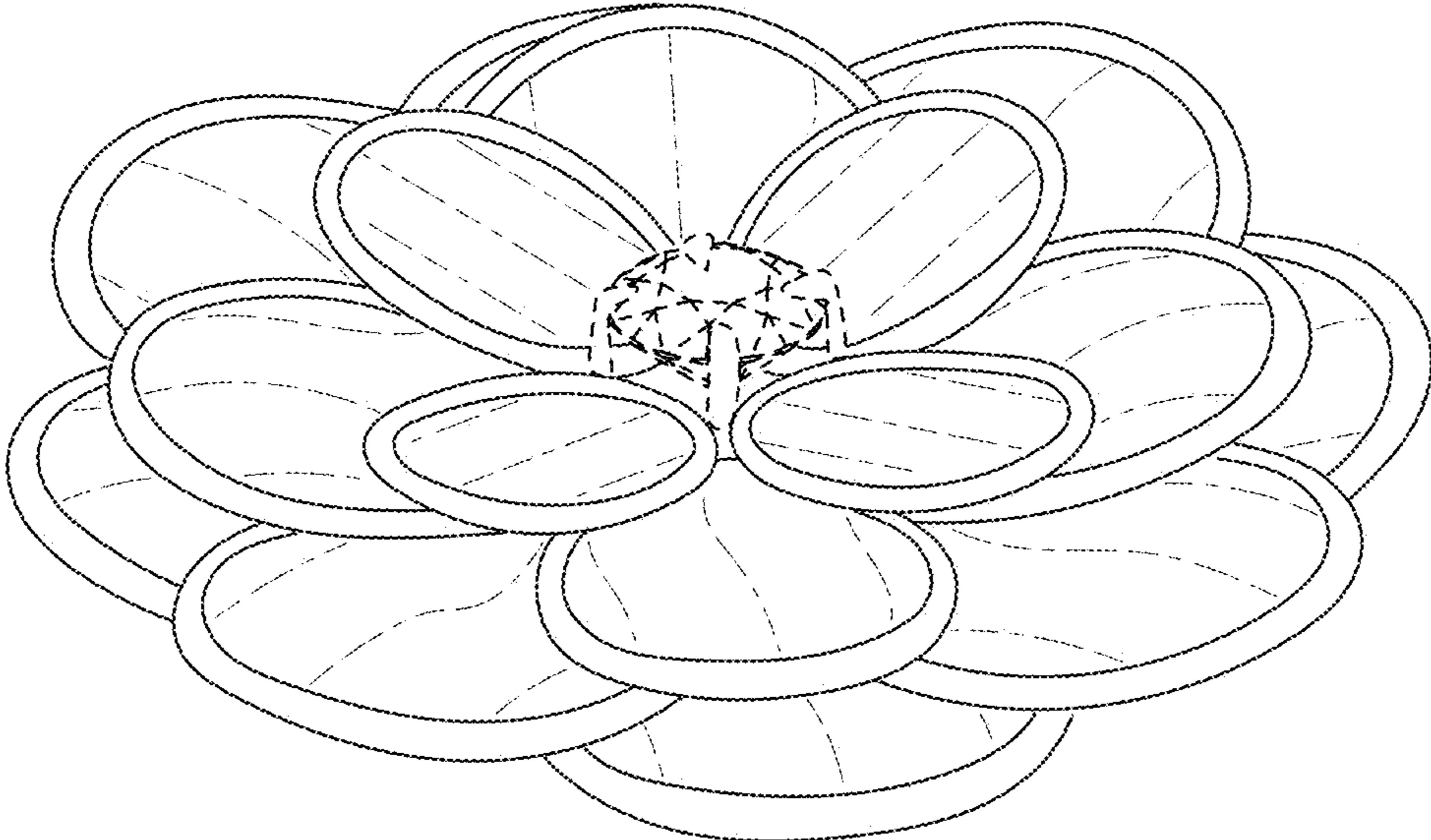


FIG. 1

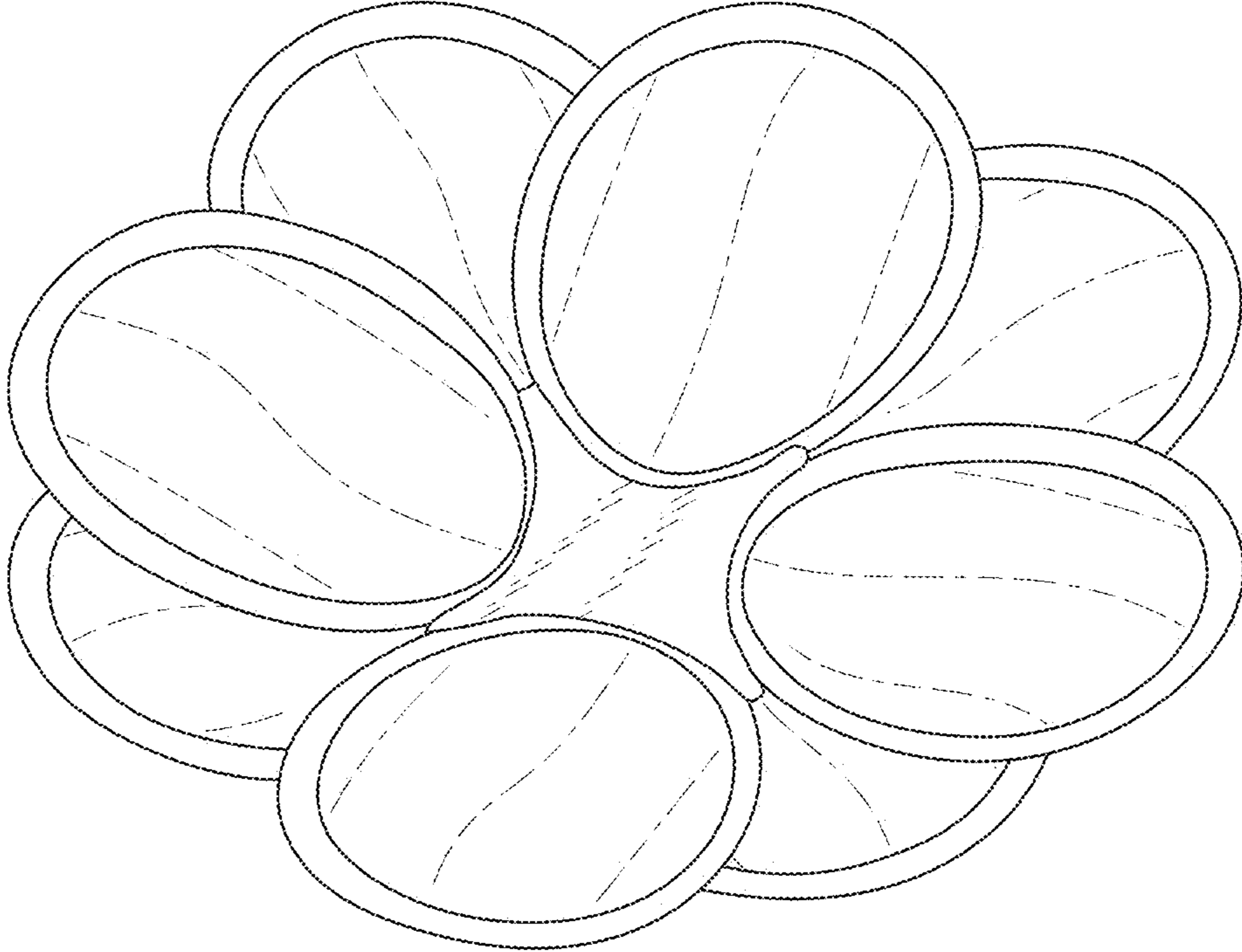


FIG. 2



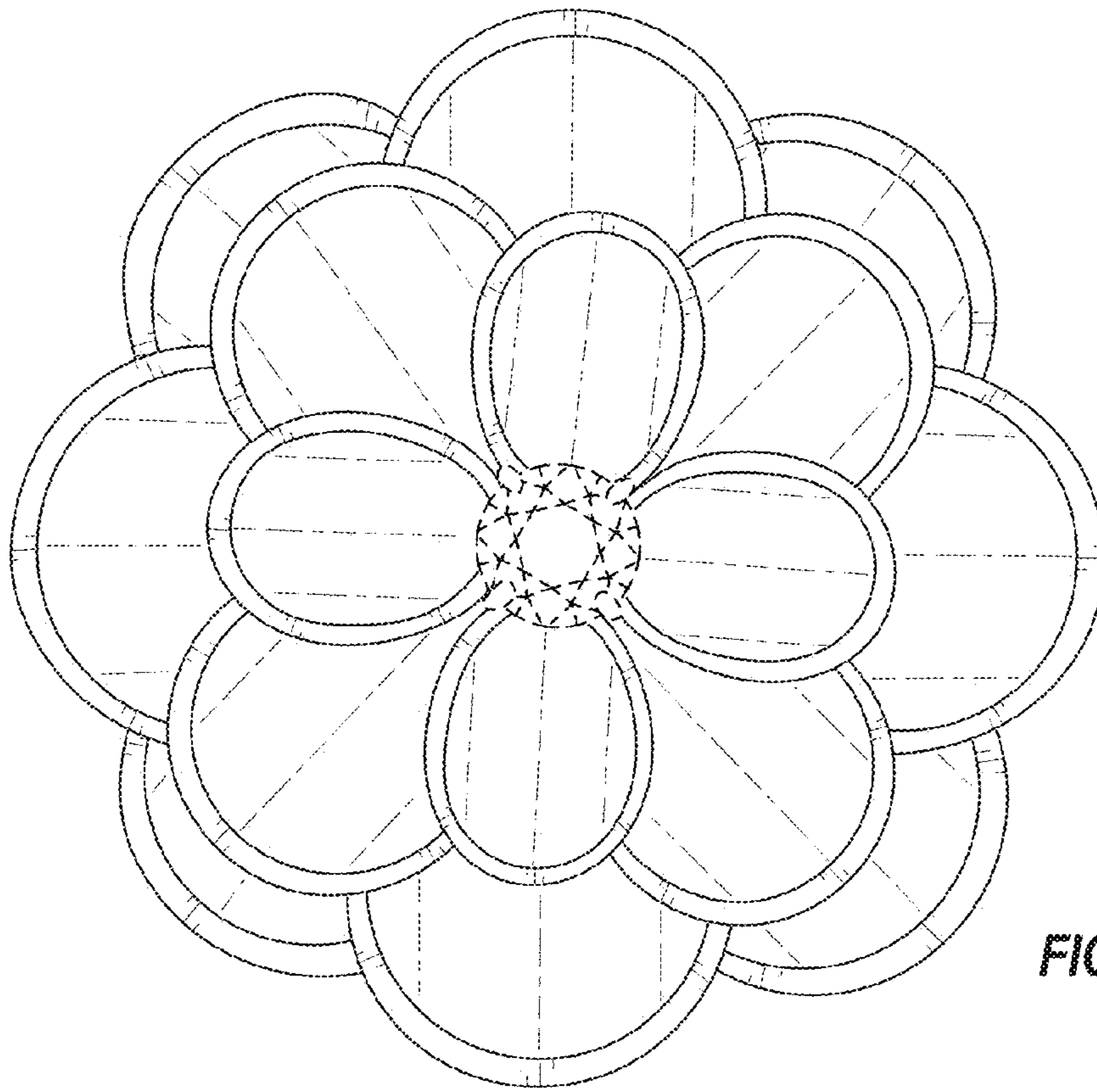


FIG. 3

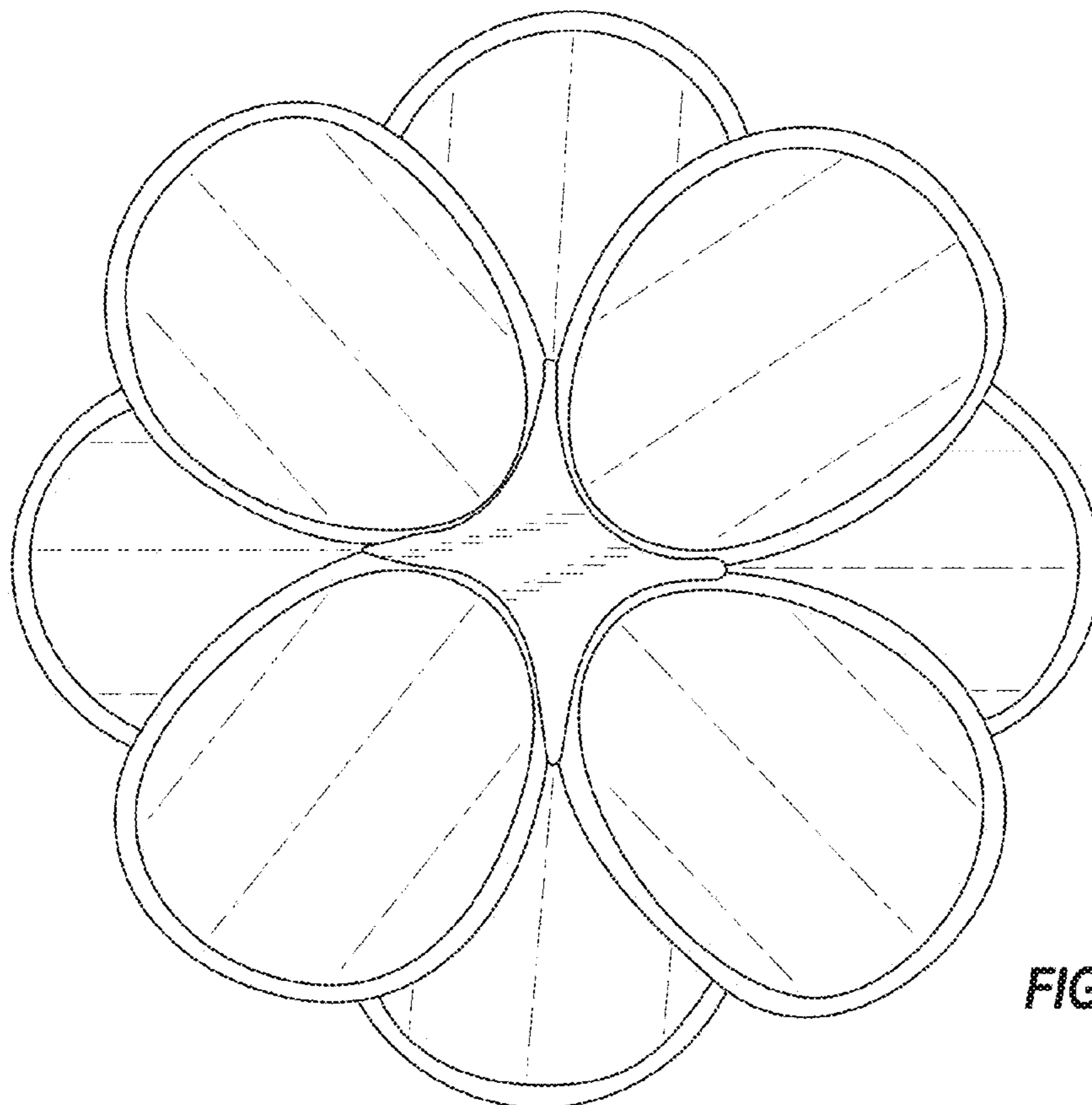
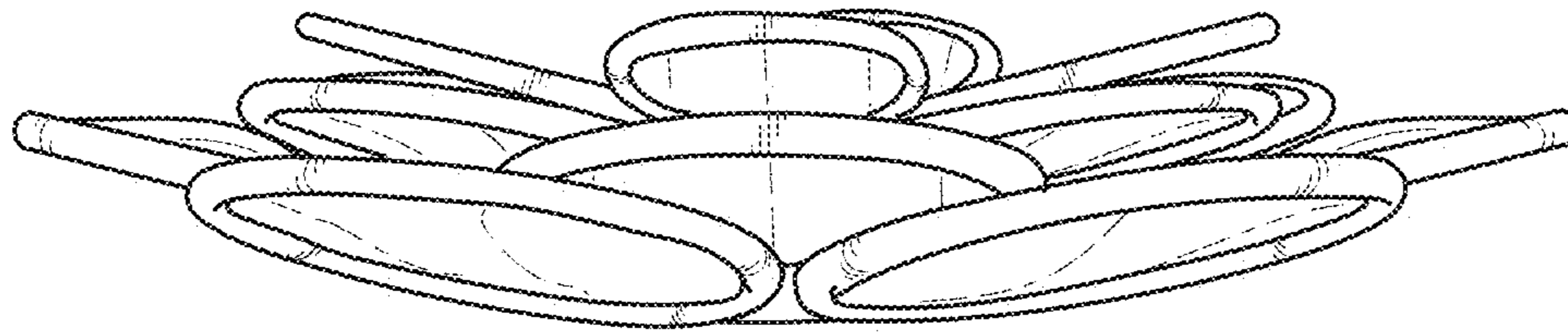
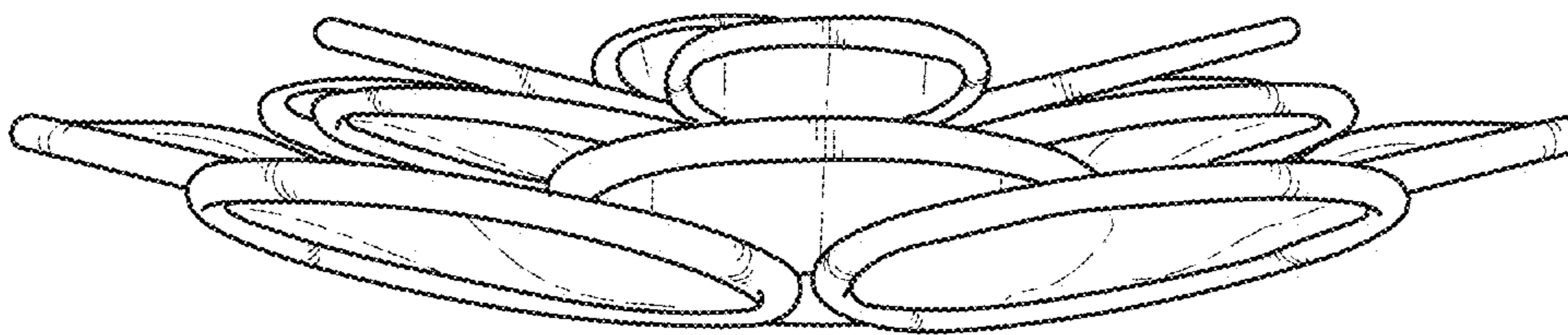


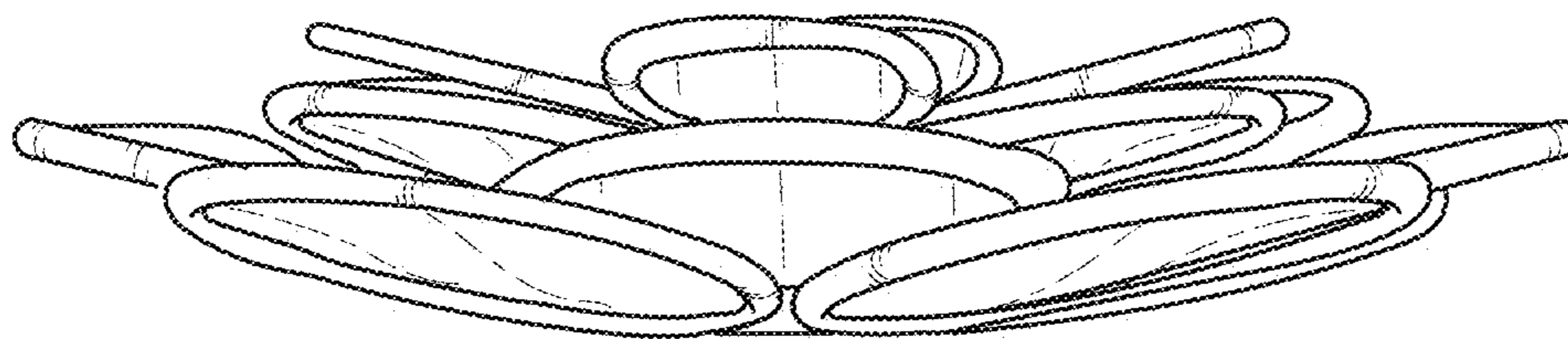
FIG. 4



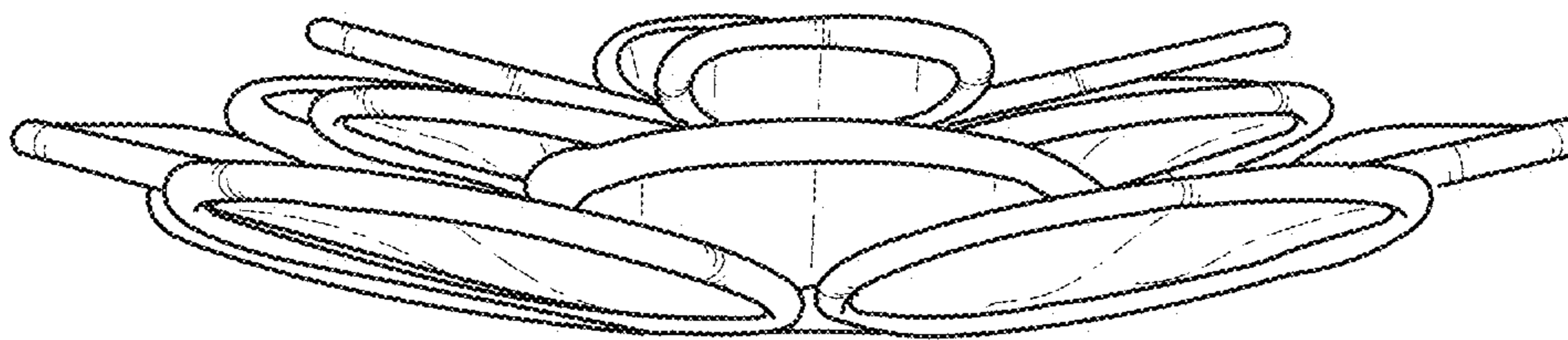
**FIG. 5**



**FIG. 6**



**FIG. 7**



**FIG. 8**