



US00D911203S

(12) **United States Design Patent** (10) **Patent No.:** **US D911,203 S**
Bicego (45) **Date of Patent:** **** Feb. 23, 2021**

(54) **ARTICLE OF JEWELRY**
(71) Applicant: **MARCO BICEGO S.P.A.**, Trissino (IT)
(72) Inventor: **Marco Bicego**, Trissino (IT)
(73) Assignee: **Marco Bicego S.P.A.**, Trissino (IT)
(**) Term: **15 Years**

D691,911 S * 10/2013 Hardy D11/26
D702,589 S * 4/2014 Pasquetti D11/84
D703,084 S * 4/2014 Parvex D11/1
D713,754 S * 9/2014 Pasquetti D11/33
D802,468 S * 11/2017 Barden D11/40
D831,520 S * 10/2018 Buccellati D11/1
D844,478 S * 4/2019 Buccellati D11/1
D870,590 S * 12/2019 Parvex D11/84
D876,274 S * 2/2020 Parvex D11/63
D877,643 S * 3/2020 Matter D11/26

(21) Appl. No.: **29/695,288**
(22) Filed: **Jun. 18, 2019**
(51) **LOC (13) Cl.** **11-01**
(52) **U.S. Cl.**
USPC **D11/1**
(58) **Field of Classification Search**
USPC D11/1, 26-39, 40, 49, 63, 67, 86, 91, 92
CPC A44C 1/00; A44C 25/001; A44C 17/02
See application file for complete search history.

OTHER PUBLICATIONS

Marco Bicego Facebook page—Lunaria Petali Collection, published on Feb. 20, 2019, online. Site visited on: Jul. 16, 2020. Internet URL:<“https://www.facebook.com/MarcoBicegoJewels/photos/a.156422001096567/2578043218934421/” (Year: 2019).*

* cited by examiner

Primary Examiner — Llorellys Martinez
(74) *Attorney, Agent, or Firm* — Workman Nydegger

(56) **References Cited**

U.S. PATENT DOCUMENTS

D21,690 S * 7/1892 Fuchs D11/63
2,070,157 A * 2/1937 Dinhofer A44C 17/02
D121,208 S * 6/1940 Katz D11/8
D123,658 S * 11/1940 Silson D11/63
D129,570 S * 9/1941 Mark D11/63
D132,523 S * 5/1942 Gerstenzang D11/67
D135,301 S * 3/1943 Meyer D11/67
D135,780 S * 6/1943 Levy D11/40
D137,649 S * 4/1944 Steiner D11/67
D141,301 S * 5/1945 Hobe D11/67
D155,178 S * 9/1949 Ostier D11/91
D160,203 S * 9/1950 Philippe D11/67
D404,337 S * 1/1999 Goodman D11/86
D614,070 S * 4/2010 Cabarbaye D11/34
D614,073 S * 4/2010 Cabarbaye D11/1
D658,083 S * 4/2012 Ghirardi D11/1
D680,022 S * 4/2013 Parvex D11/34

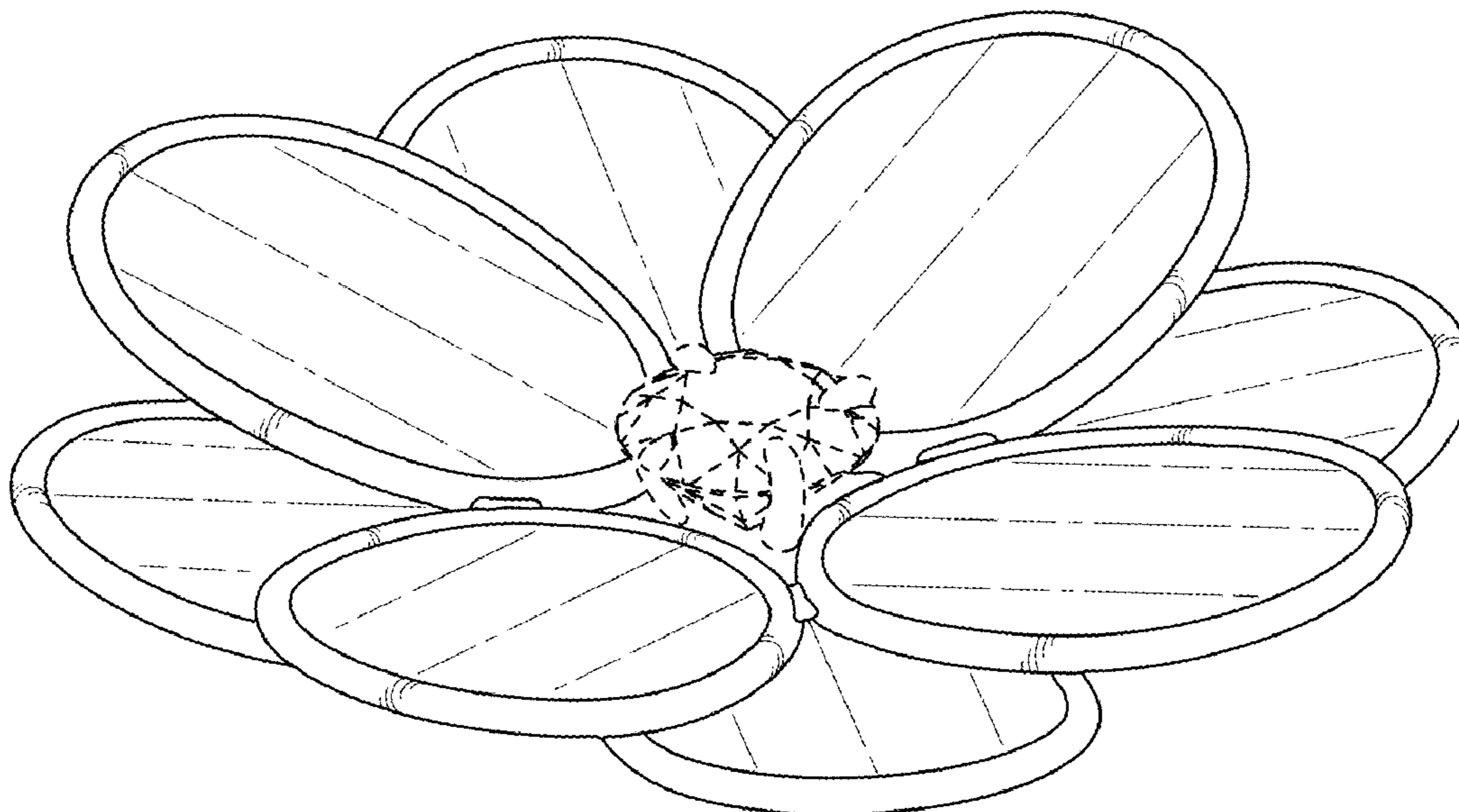
(57) **CLAIM**

The ornamental design for an article of jewelry, as shown and described.

DESCRIPTION

FIG. 1 is a top perspective view of an article of jewelry showing my new design;
FIG. 2 is a bottom perspective view thereof;
FIG. 3 is a top plan view thereof;
FIG. 4 is a bottom plan view thereof;
FIG. 5 is a front elevational view thereof;
FIG. 6 is a rear elevational view thereof;
FIG. 7 is a right side elevational view thereof; and,
FIG. 8 is a left side elevational view thereof.
The broken lines in FIGS. 1 and 3 represent portions of the article of jewelry that form no part of the claimed design.

1 Claim, 3 Drawing Sheets



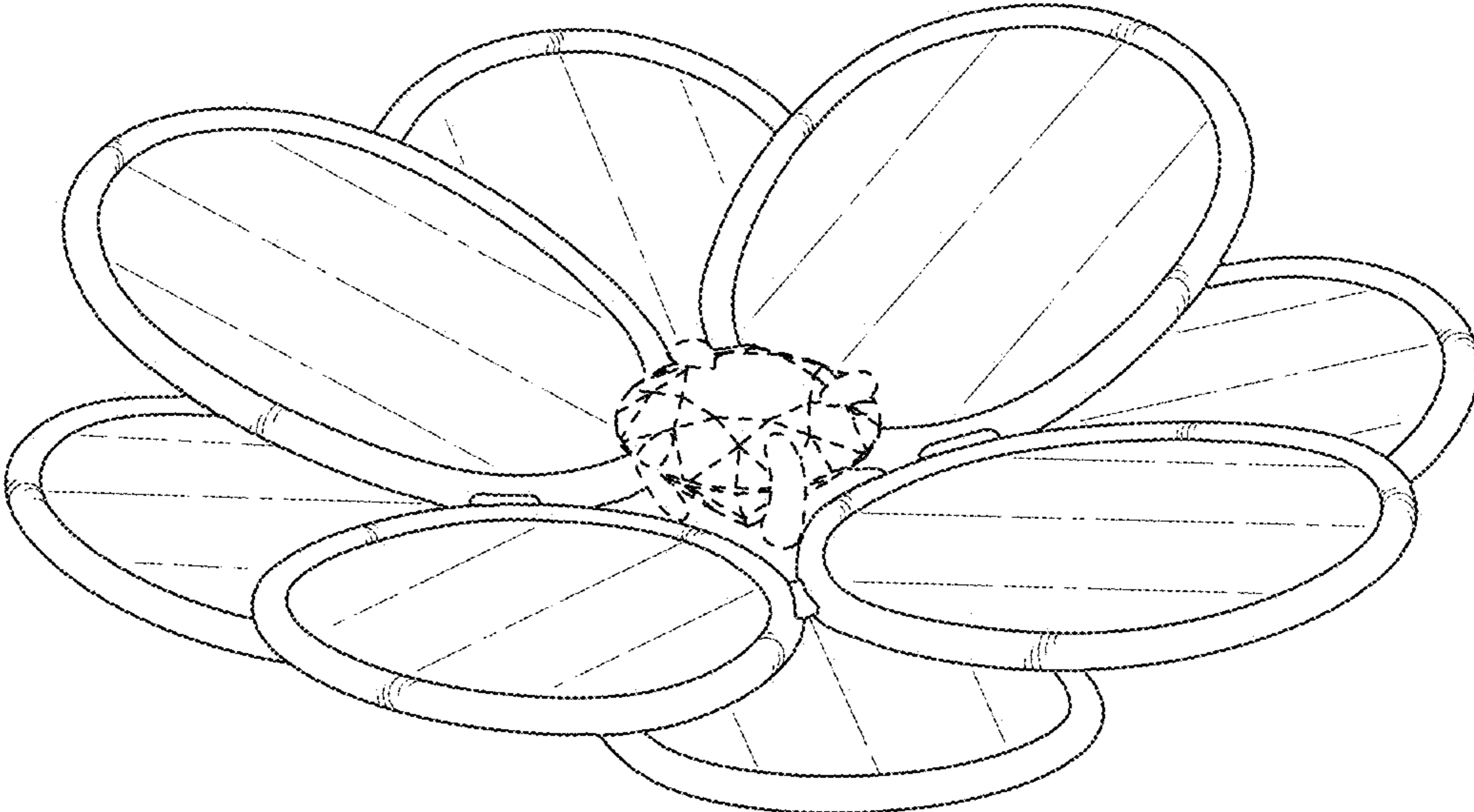


FIG. 1

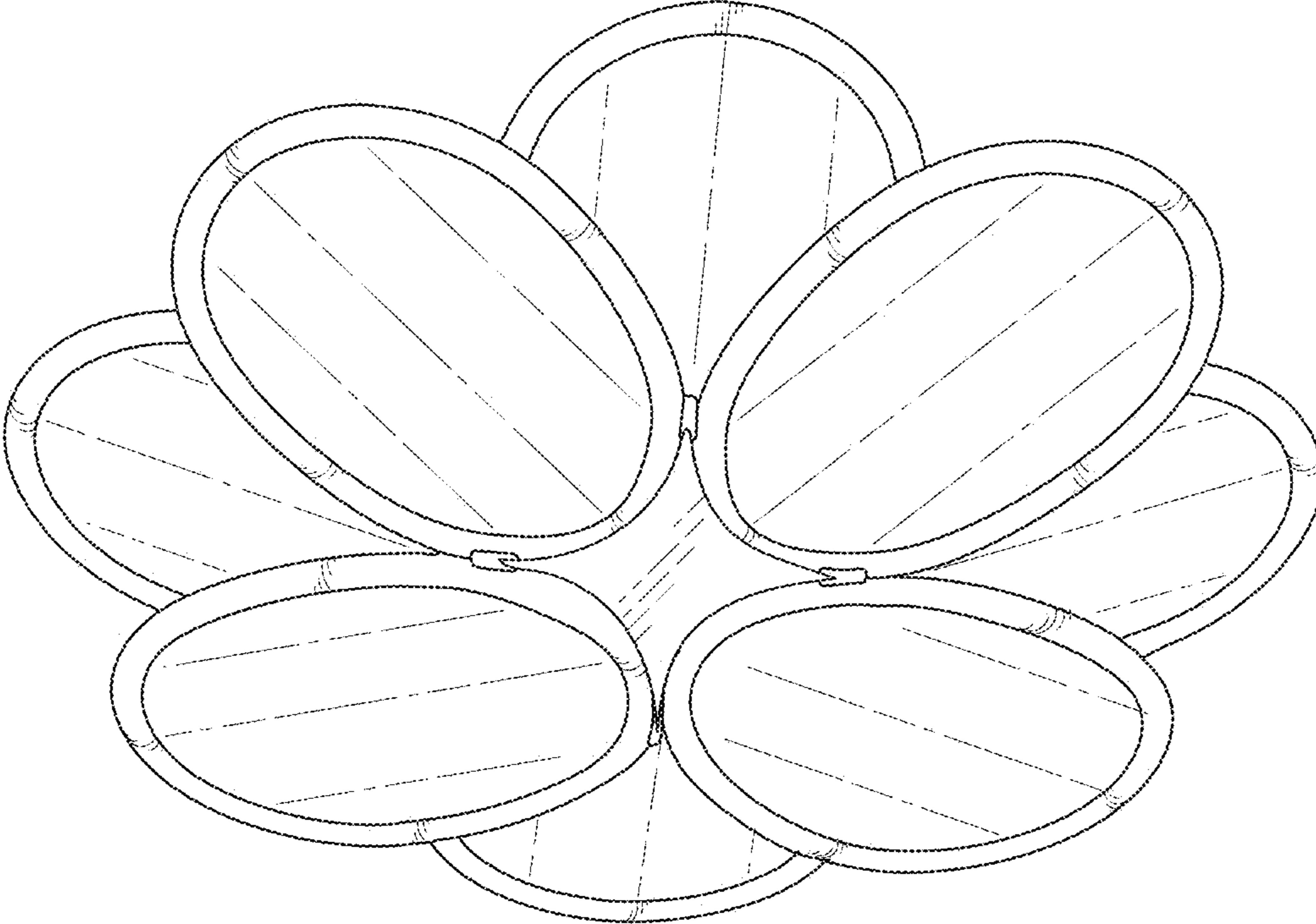


FIG. 2

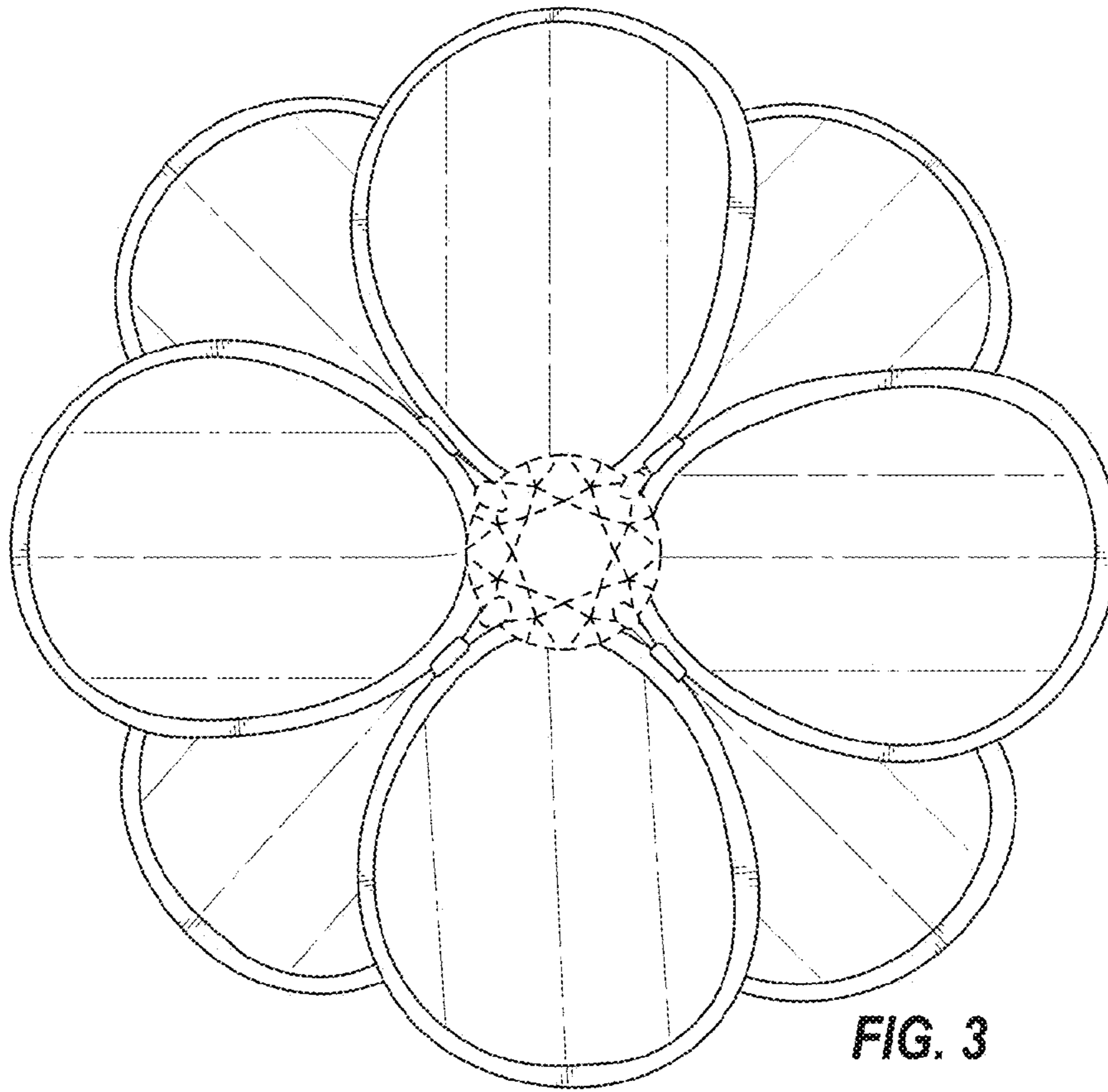


FIG. 3

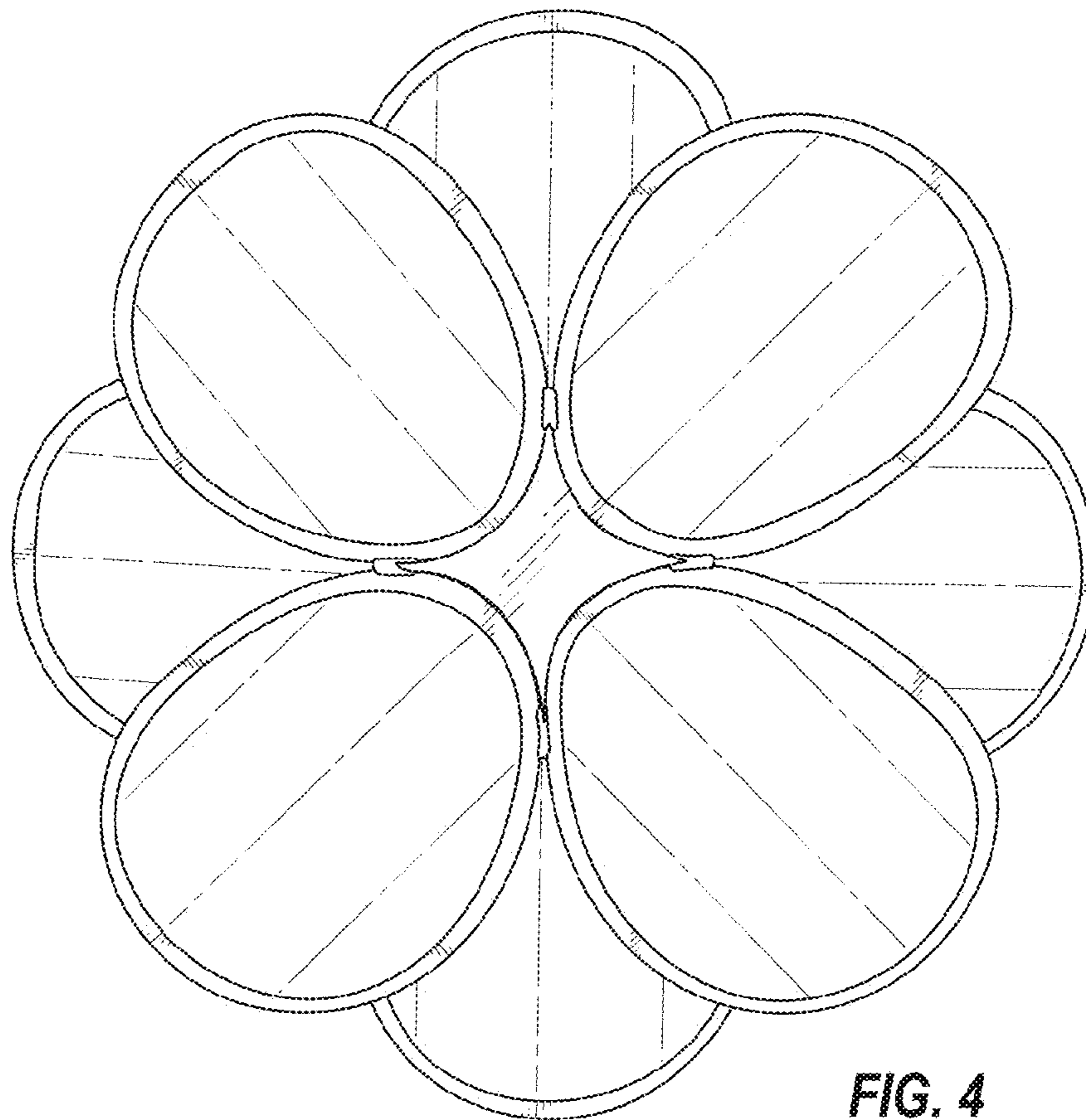


FIG. 4

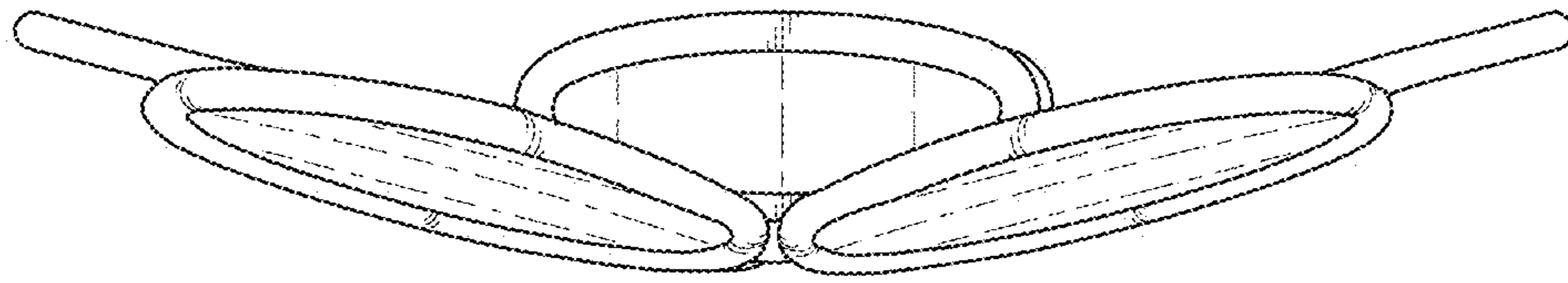


FIG. 5

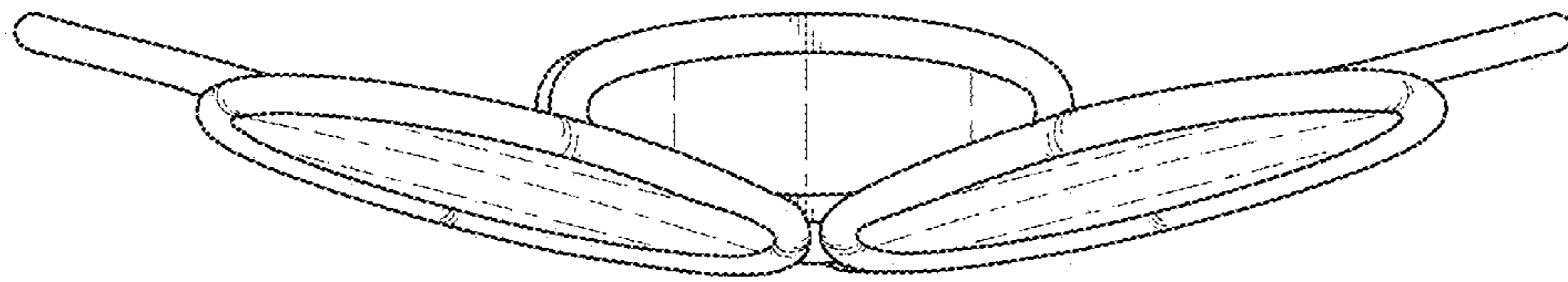


FIG. 6

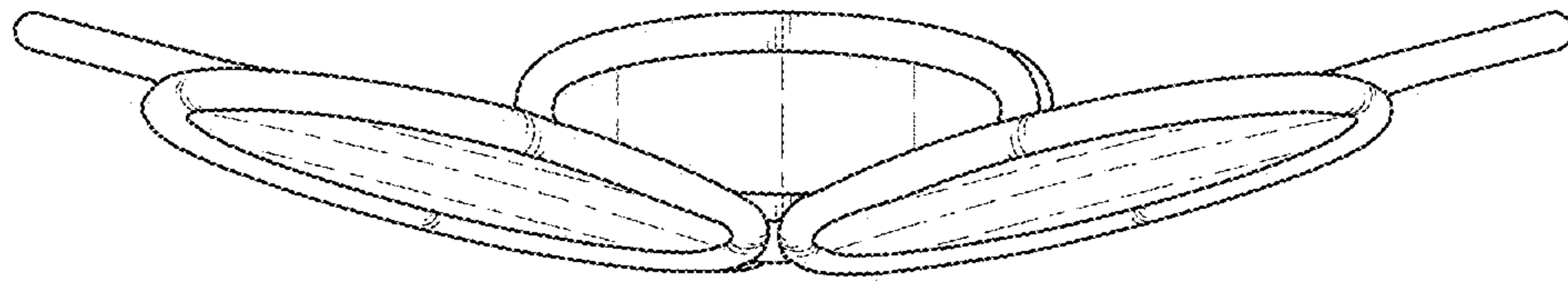


FIG. 7

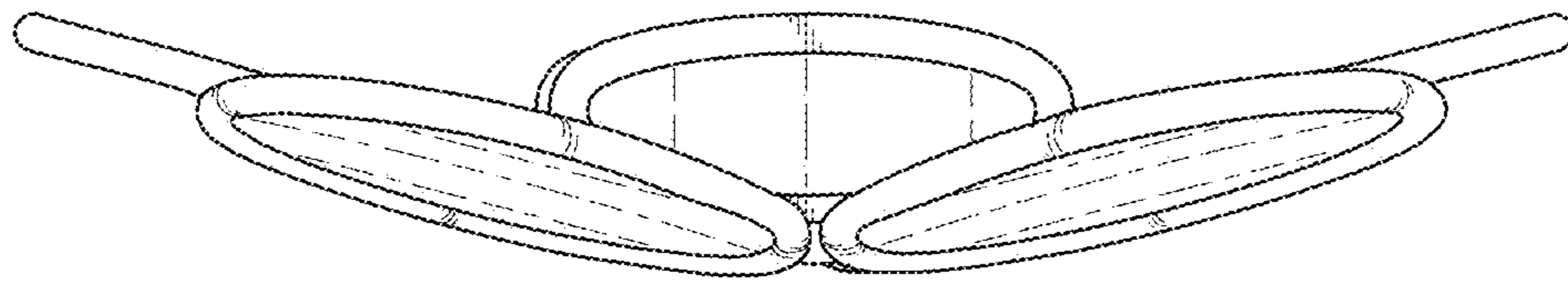


FIG. 8