



US00D911198S

(12) **United States Design Patent**
Zhang

(10) **Patent No.:** **US D911,198 S**

(45) **Date of Patent:** **** Feb. 23, 2021**

(54) **SMOKE DETECTOR**

D771,512 S * 11/2016 Kalyan D10/106.5
D885,224 S * 5/2020 Liu D10/106.5
D885,225 S * 5/2020 Liu D10/106.5

(71) Applicant: **X-Sense Innovations Co., Ltd.**,
Shenzhen (CN)

* cited by examiner

(72) Inventor: **Yiming Zhang**, Shenzhen (CN)

Primary Examiner — George D. Kirschbaum

(**) Term: **15 Years**

(74) *Attorney, Agent, or Firm* — Zanip

(21) Appl. No.: **29/744,157**

(57) **CLAIM**

(22) Filed: **Jul. 27, 2020**

The ornamental design for a smoke detector, as shown and described.

(51) **LOC (13) Cl.** **10-05**

DESCRIPTION

(52) **U.S. Cl.**

USPC **D10/106.5**

(58) **Field of Classification Search**

USPC D10/106.5, 106.2, 104.1, 81

CPC G08B 1/00

See application file for complete search history.

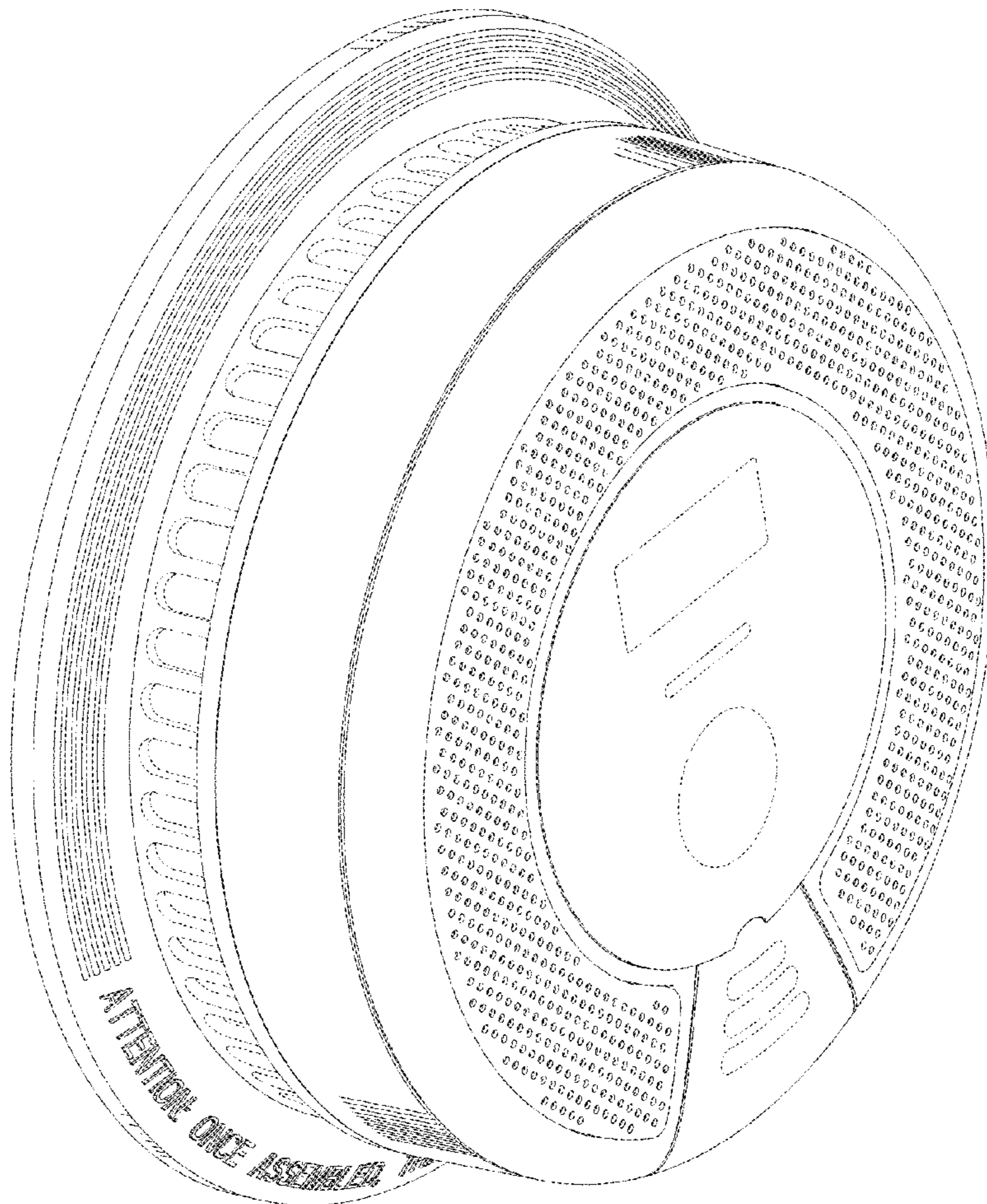
FIG. 1 is a front elevational view of a smoke detector, showing my new design;
FIG. 2 is a rear elevational view thereof;
FIG. 3 is a left side elevational view thereof;
FIG. 4 is a right side elevational view thereof;
FIG. 5 is a top plan view thereof;
FIG. 6 is a bottom plan view thereof.
FIG. 7 is a front and top perspective view thereof; and,
FIG. 8 is a front and bottom perspective view thereof.
The broken lines in the figures illustrate portions of the article that form no part of the claimed design.

(56) **References Cited**

U.S. PATENT DOCUMENTS

D254,188 S * 2/1980 Odom D10/106.5
D271,287 S * 11/1983 Fenne D10/106.5
D279,769 S * 7/1985 Thornton, Jr. D10/106.5
D485,200 S 1/2004 Berthold et al.

1 Claim, 8 Drawing Sheets



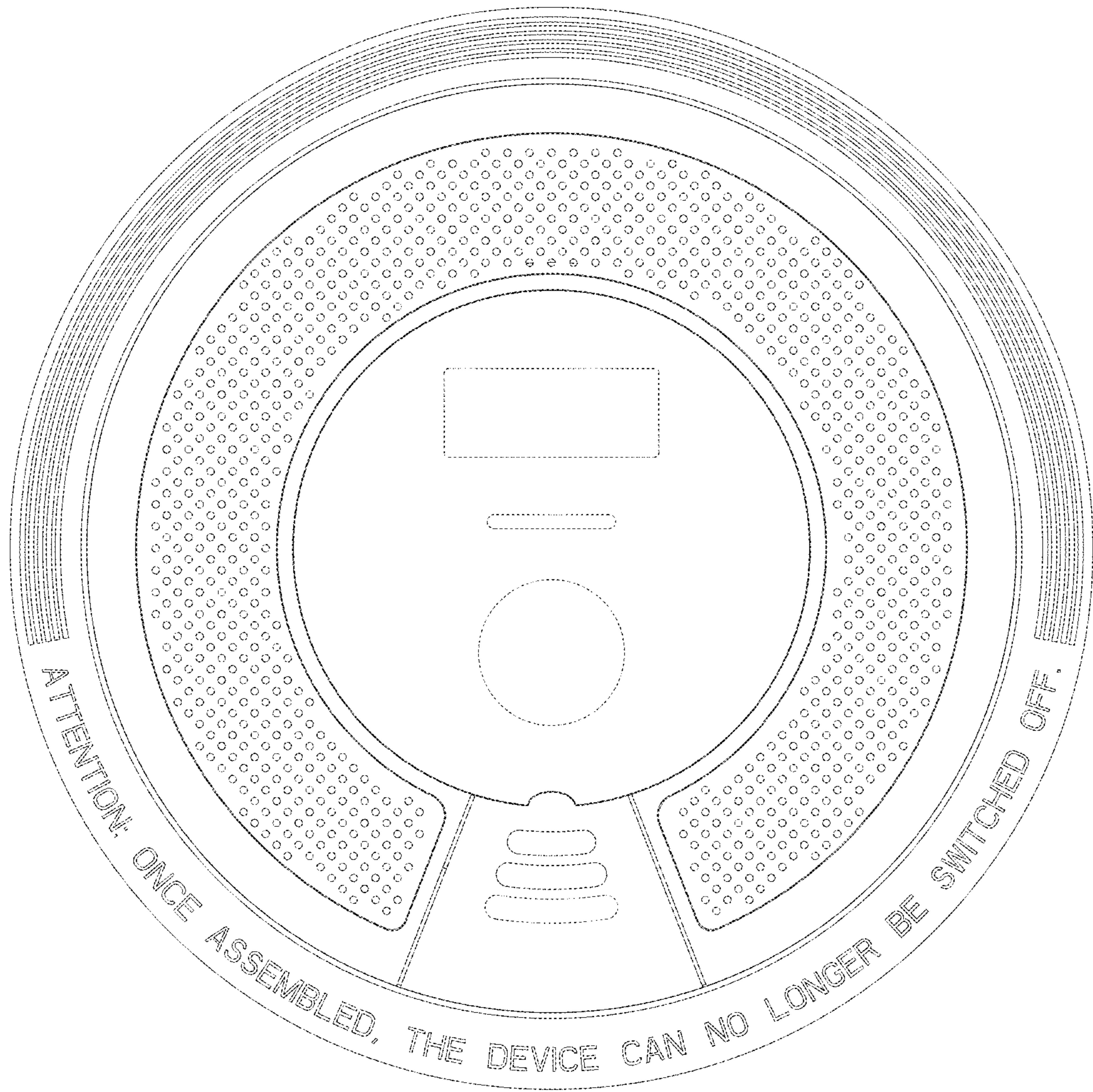


FIG.1

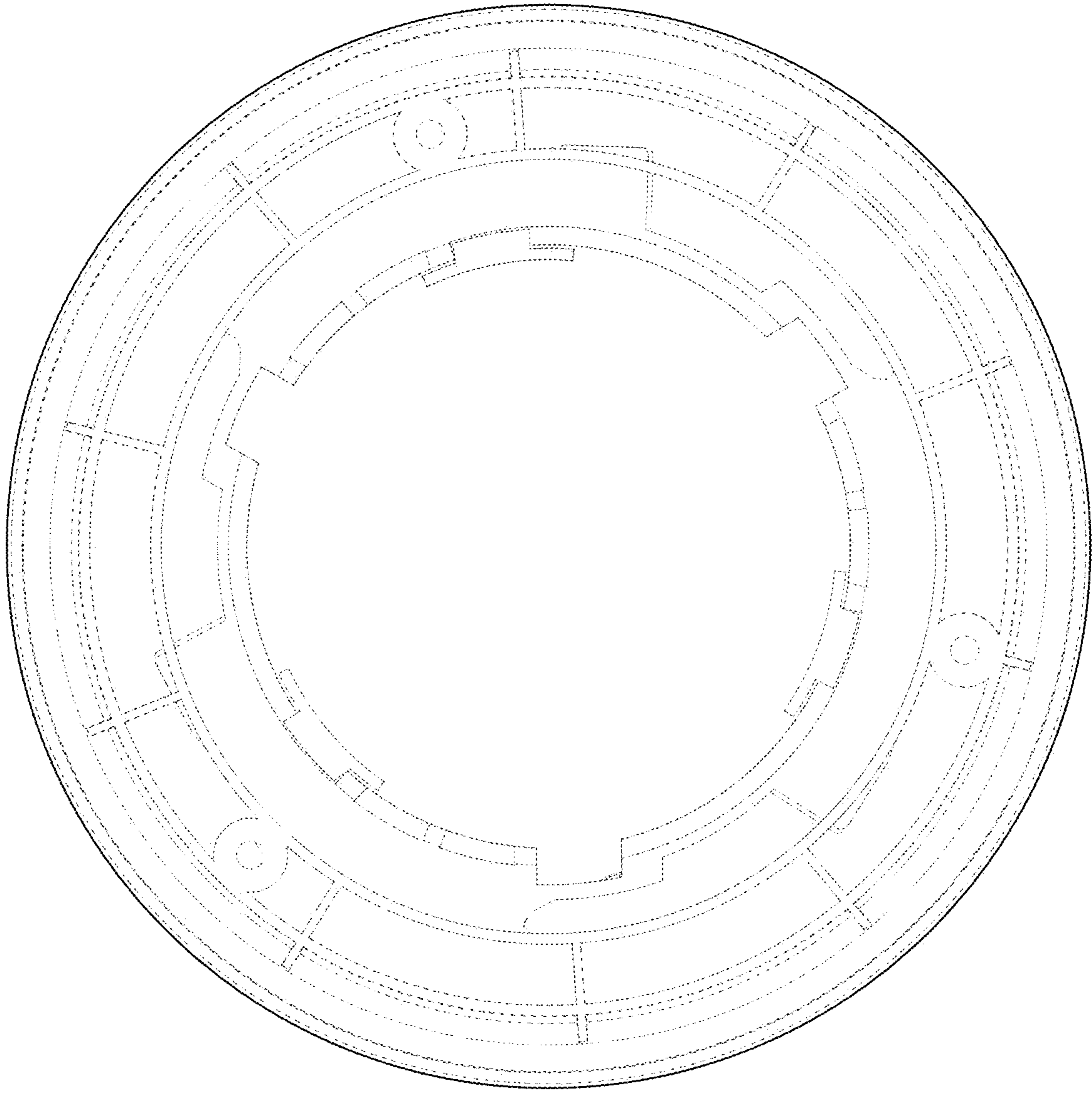


FIG.2

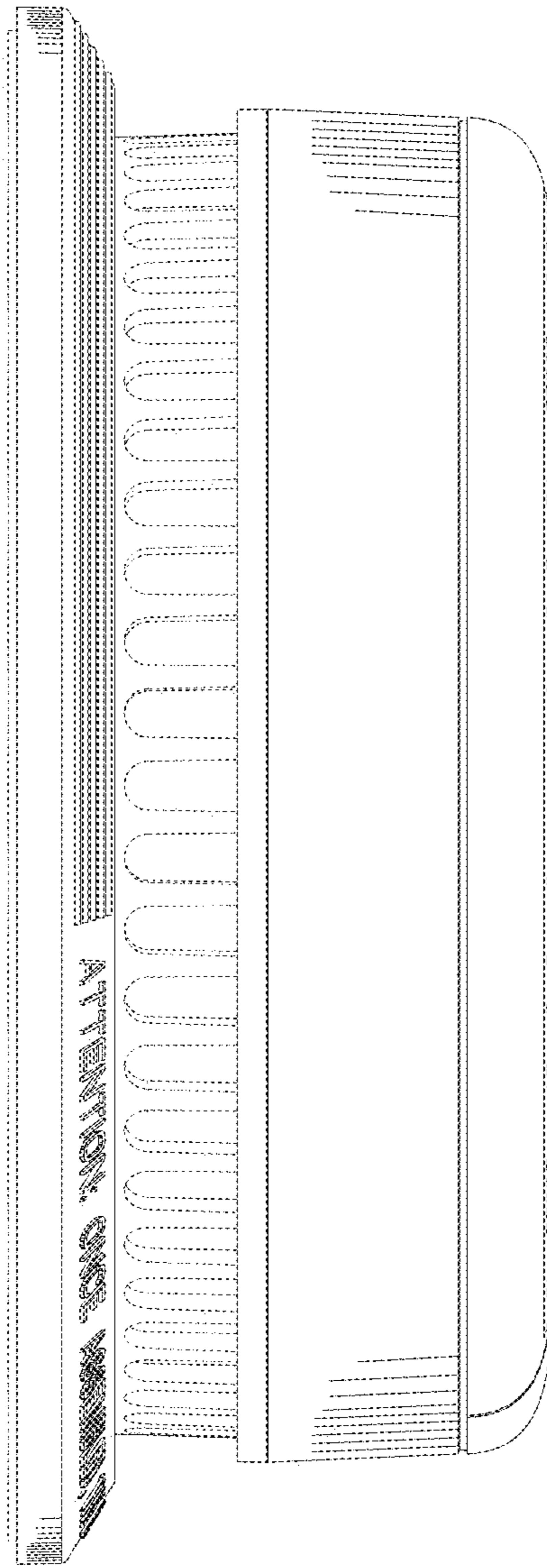


FIG.3

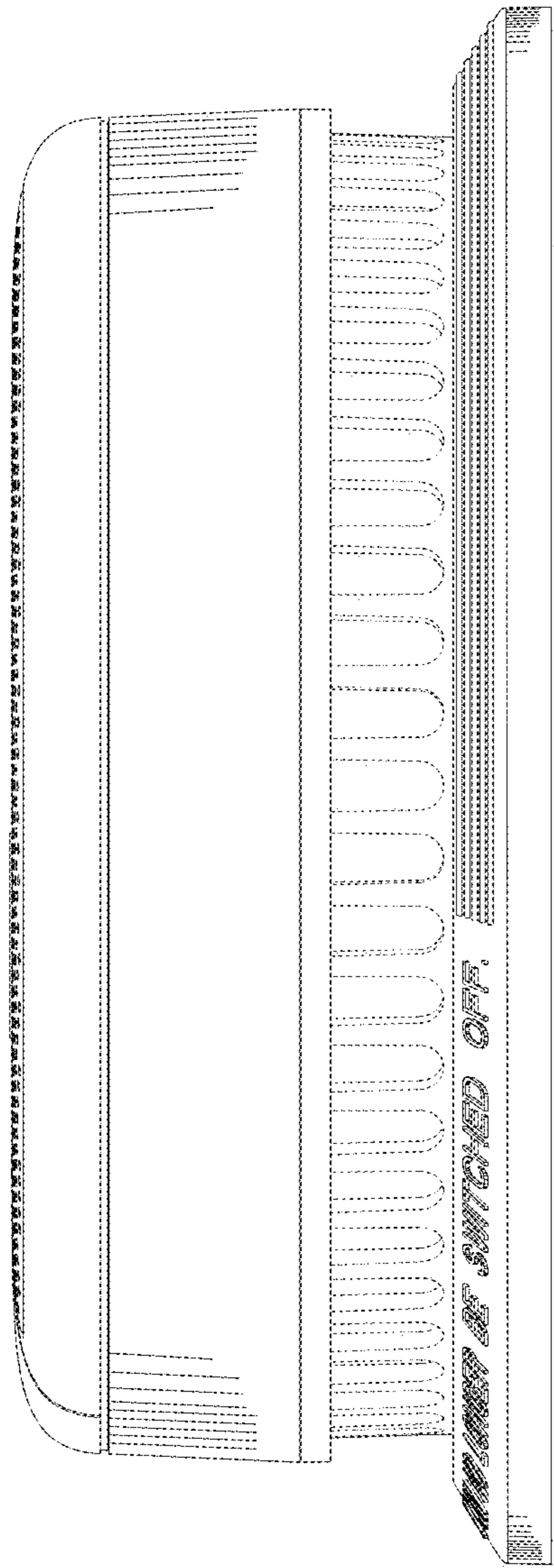


FIG.4

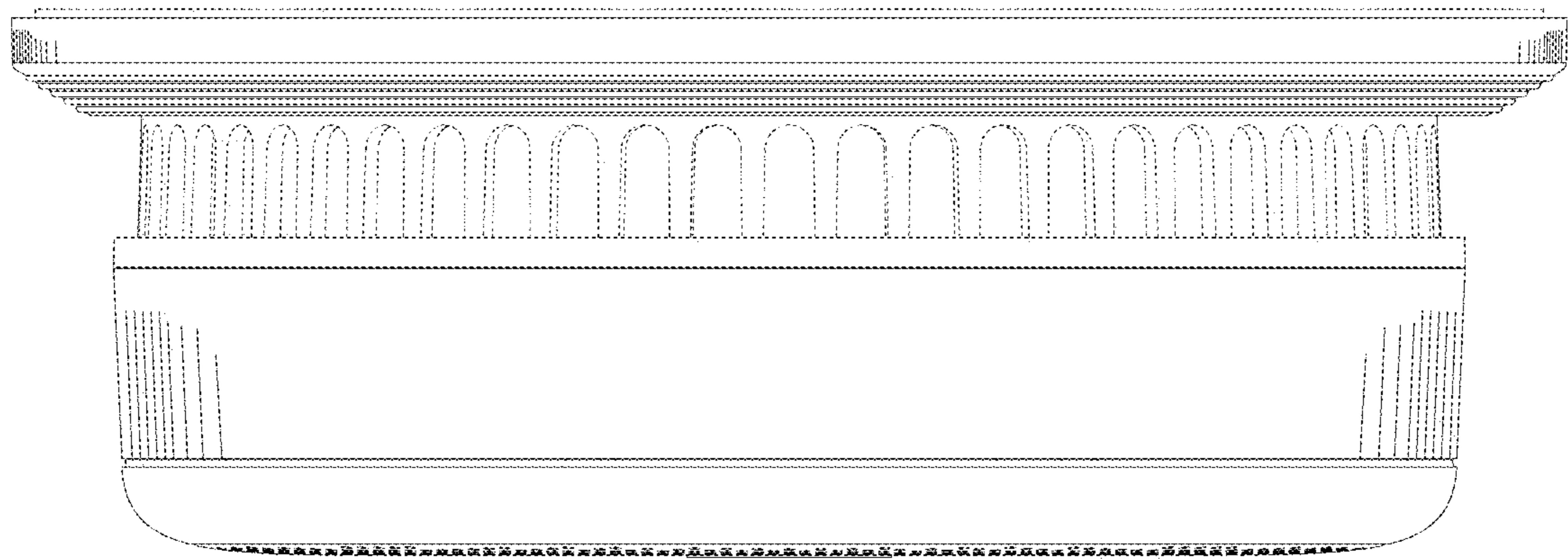


FIG.5

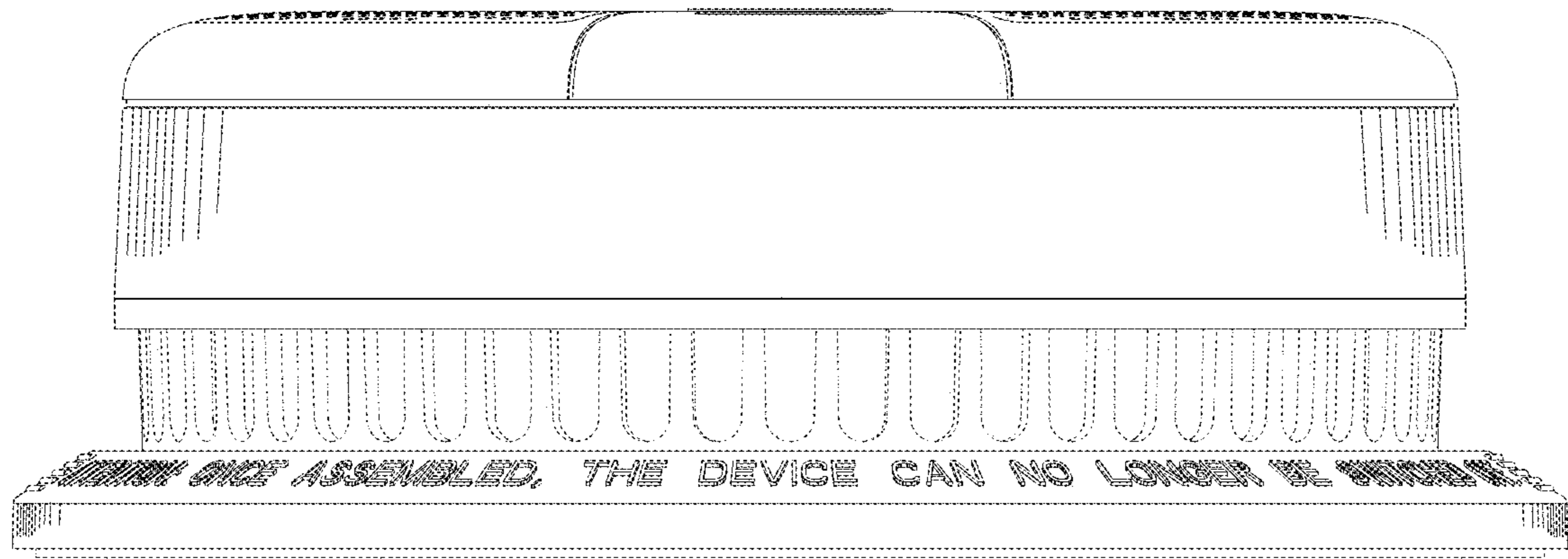


FIG.6

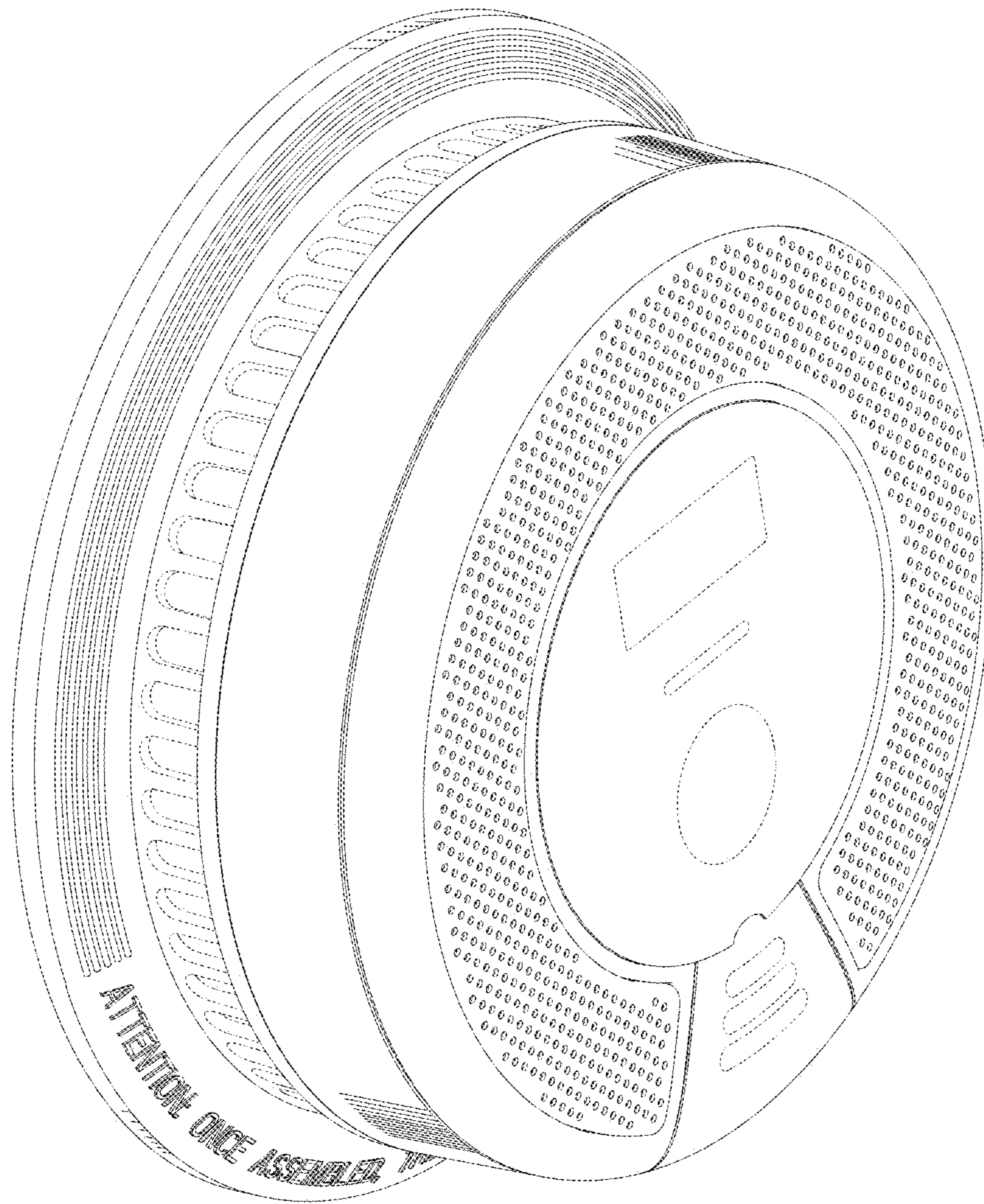


FIG. 7

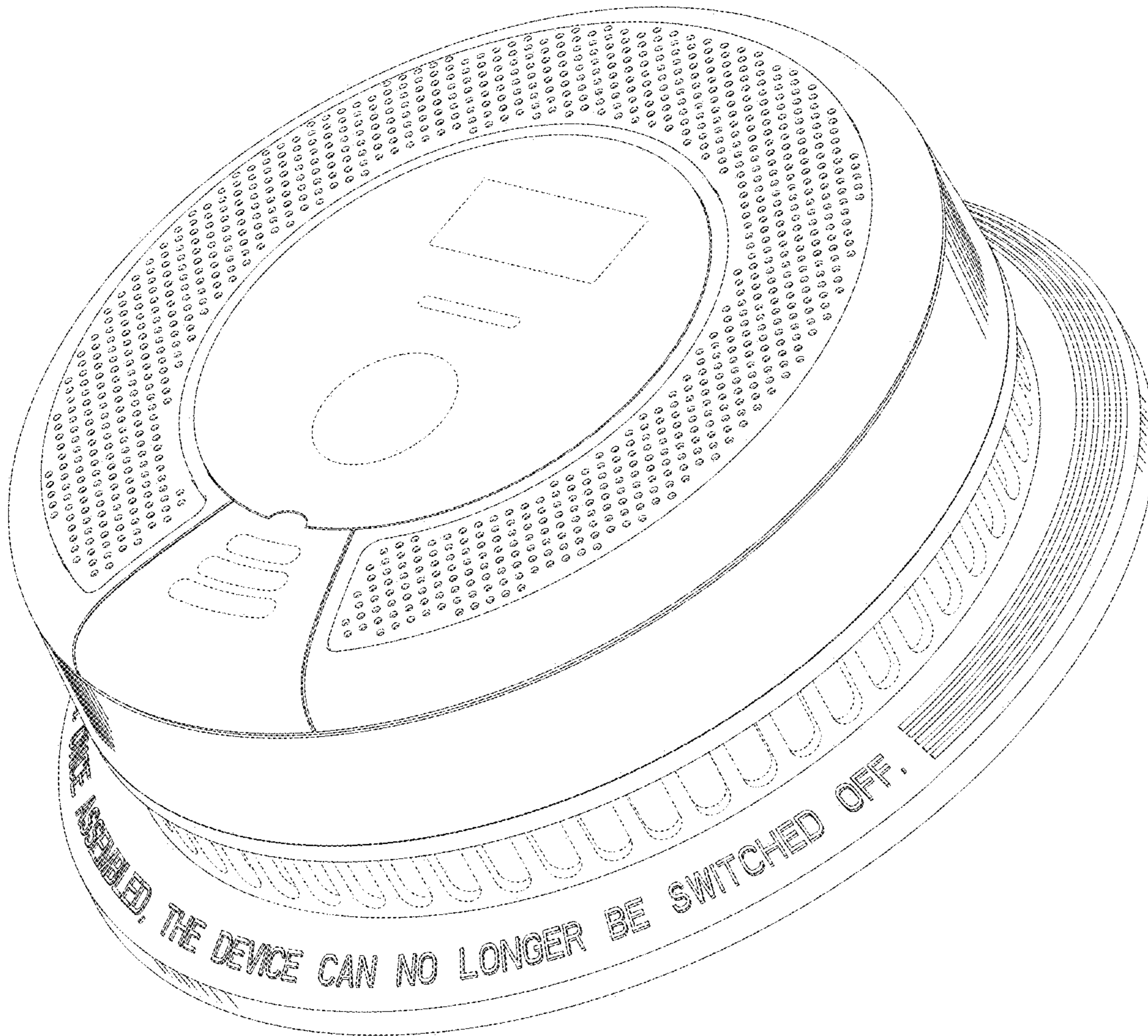


FIG.8