



US00D911197S

(12) **United States Design Patent**
Min

(10) **Patent No.:** **US D911,197 S**

(45) **Date of Patent:** **** Feb. 23, 2021**

(54) **MONITOR FOR A SAFE**

(71) Applicant: **NANJING EASTHOUSE ELECTRICAL CO., LTD.**, Nanjing (CN)

(72) Inventor: **Hao Min**, Nanjing (CN)

(73) Assignee: **NANJING EASTHOUSE ELECTRICAL CO., LTD.**, Nanjing (CN)

(**) Term: **15 Years**

(21) Appl. No.: **29/680,338**

(22) Filed: **Feb. 14, 2019**

(51) **LOC (13) Cl.** **10-05**

(52) **U.S. Cl.**
USPC **D10/104.1**

(58) **Field of Classification Search**
USPC D10/104.1, 106.1, 106.9; D8/330, 332; D13/184

See application file for complete search history.

(56) **References Cited**

U.S. PATENT DOCUMENTS

D527,296 S * 8/2006 Concari D10/106.1
D751,935 S * 3/2016 Wu D10/104.1

D751,936 S * 3/2016 Wu D10/104.1
D768,586 S * 10/2016 Christianson D13/184
D814,953 S * 4/2018 Masuyama D10/104.1
D834,978 S * 12/2018 Kristensson D10/104.1
D853,262 S * 7/2019 Geskin Zinovi D10/104.1

* cited by examiner

Primary Examiner — George D. Kirschbaum

(74) *Attorney, Agent, or Firm* — Ming Jiang; MM IP Services LLC

(57) **CLAIM**

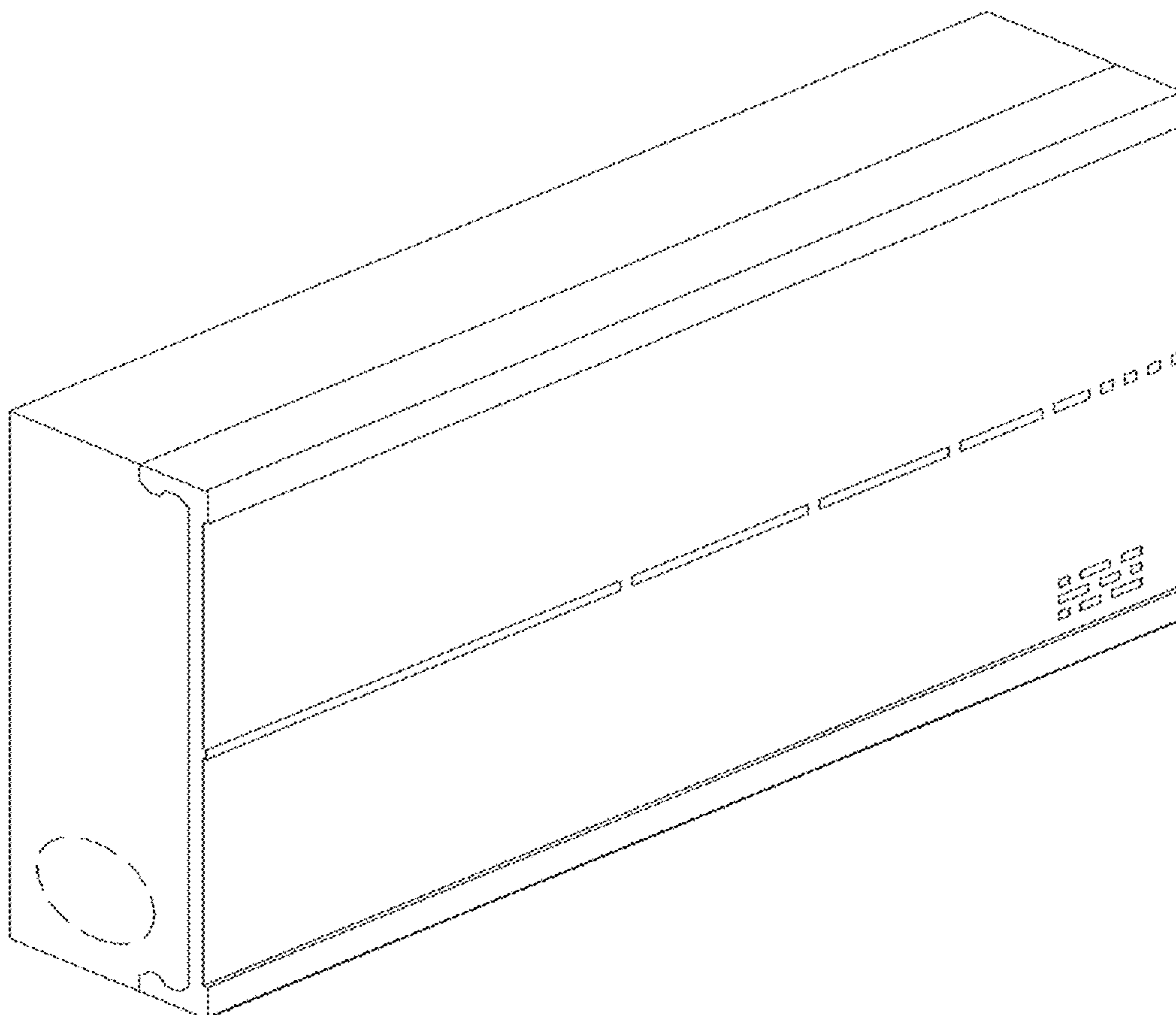
The ornamental design for a monitor for a safe, as shown and described.

DESCRIPTION

FIG. 1 is a left side, top perspective view of the monitor for a safe showing my new design;
FIG. 2 is a front elevation view thereof;
FIG. 3 is a rear elevation view thereof;
FIG. 4 is a left side view thereof;
FIG. 5 is a right side view thereof;
FIG. 6 is a top plan view thereof; and,
FIG. 7 is a bottom plan view thereof.

The broken line showing of monitor for a safe is included for the purpose of illustrating portions of the monitor for a safe that form no part of the claimed design.

1 Claim, 5 Drawing Sheets



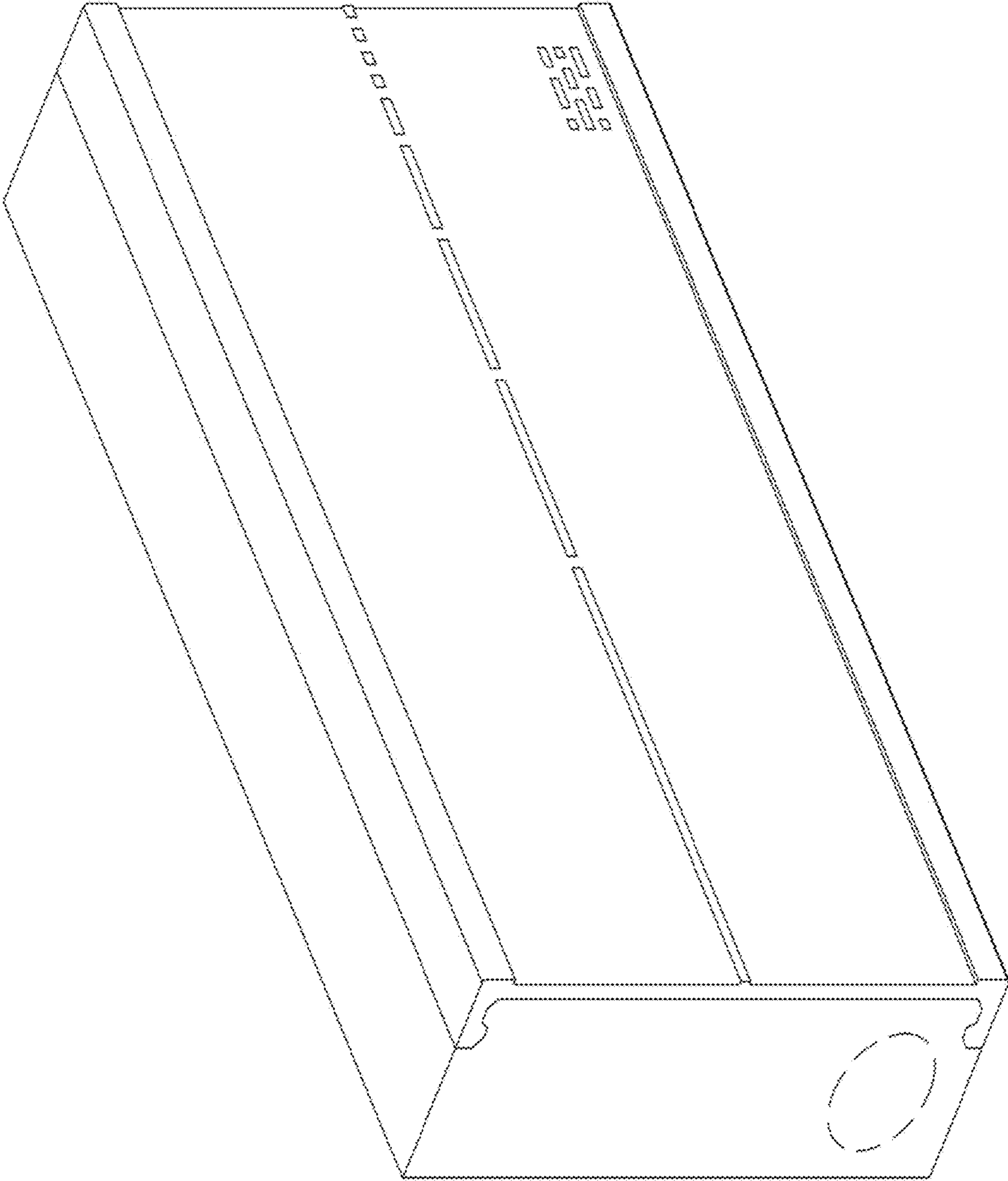


FIG. 1

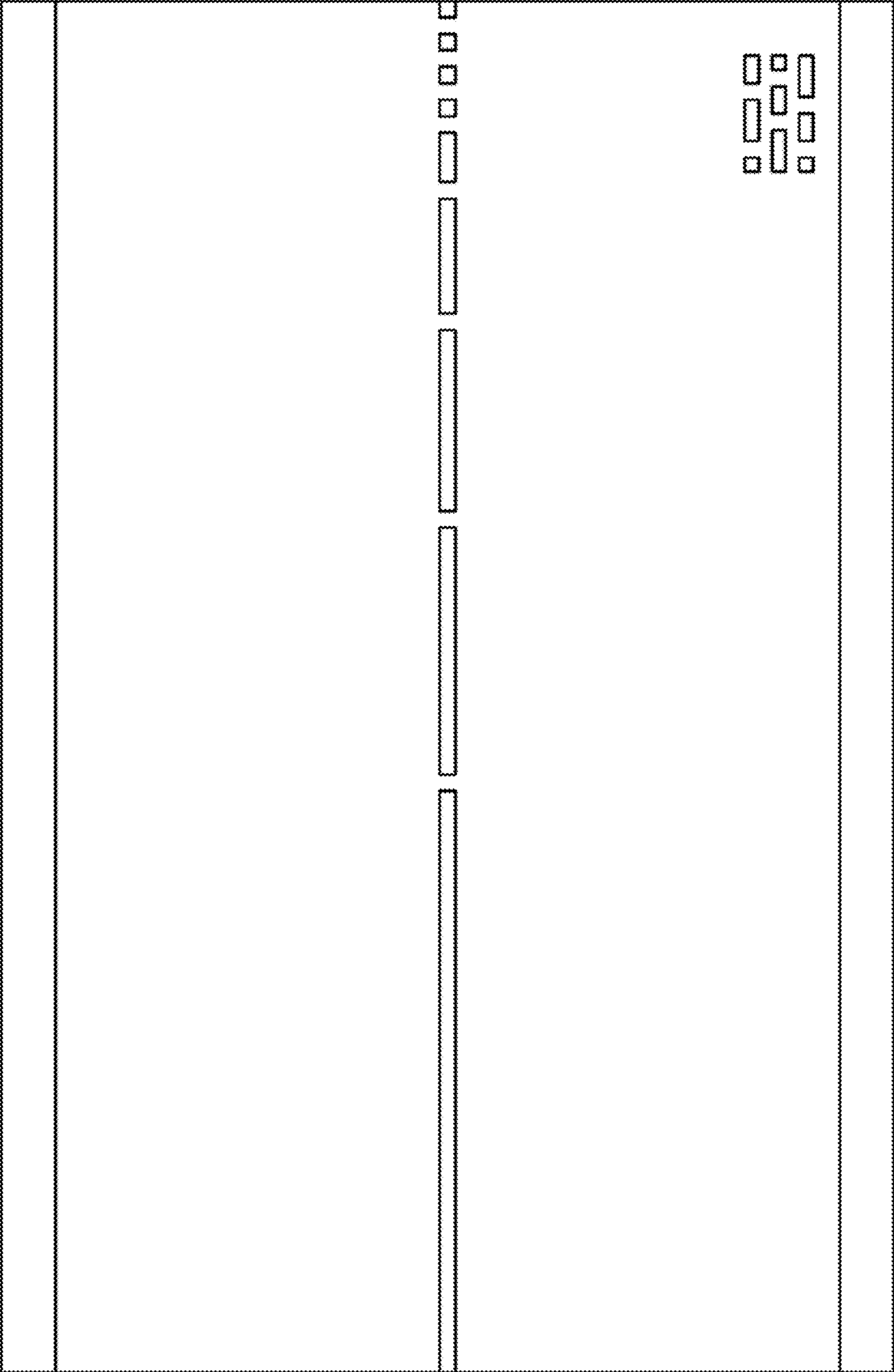


FIG. 2

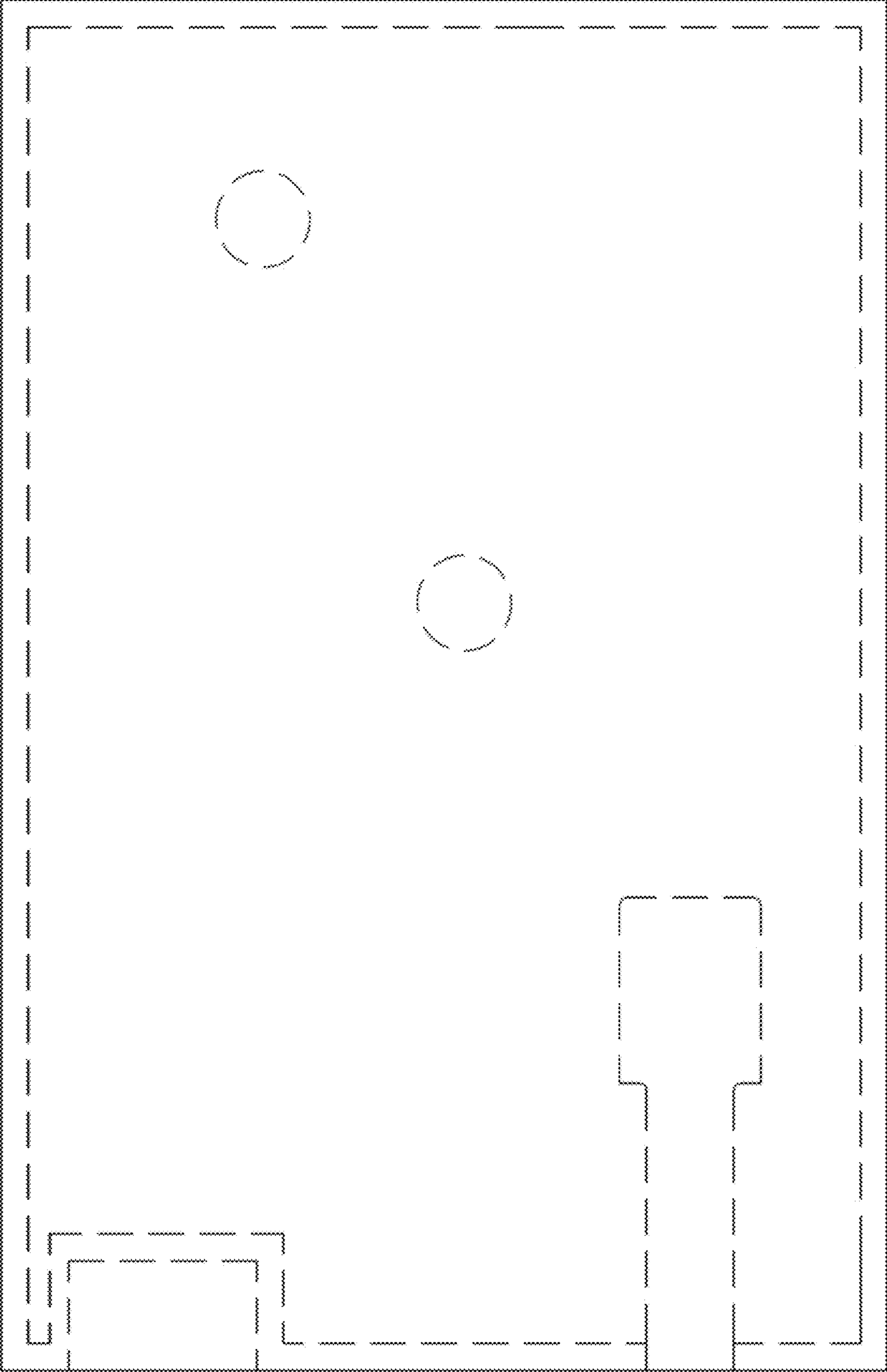


FIG. 3

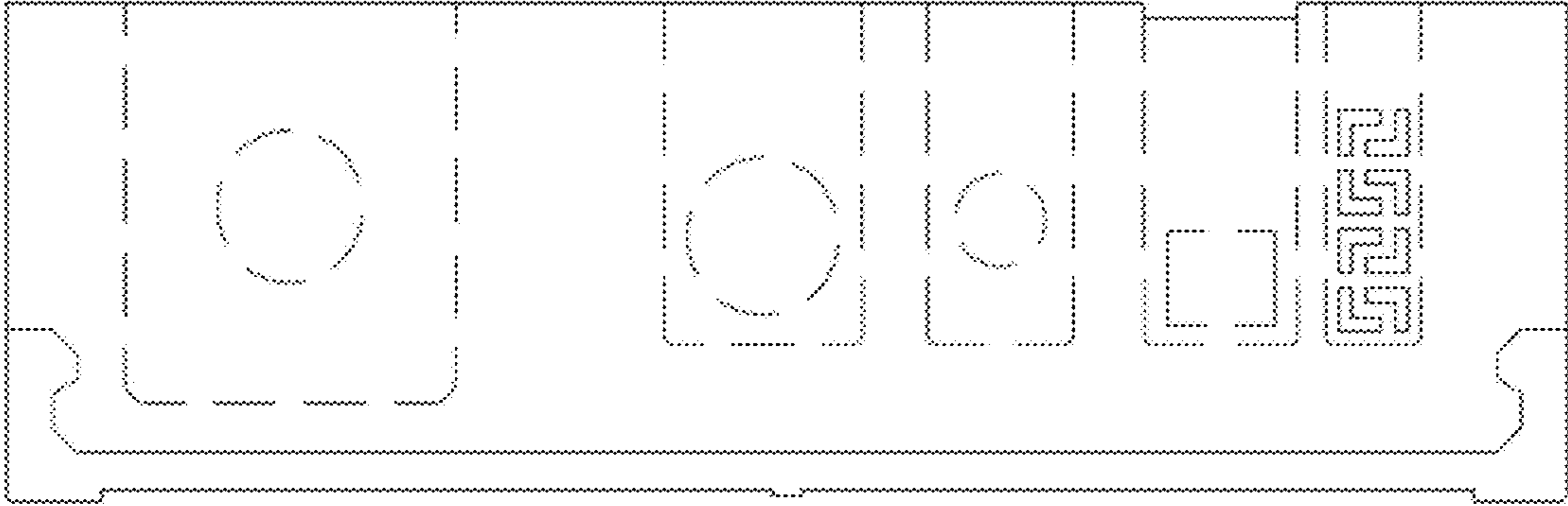


FIG. 5

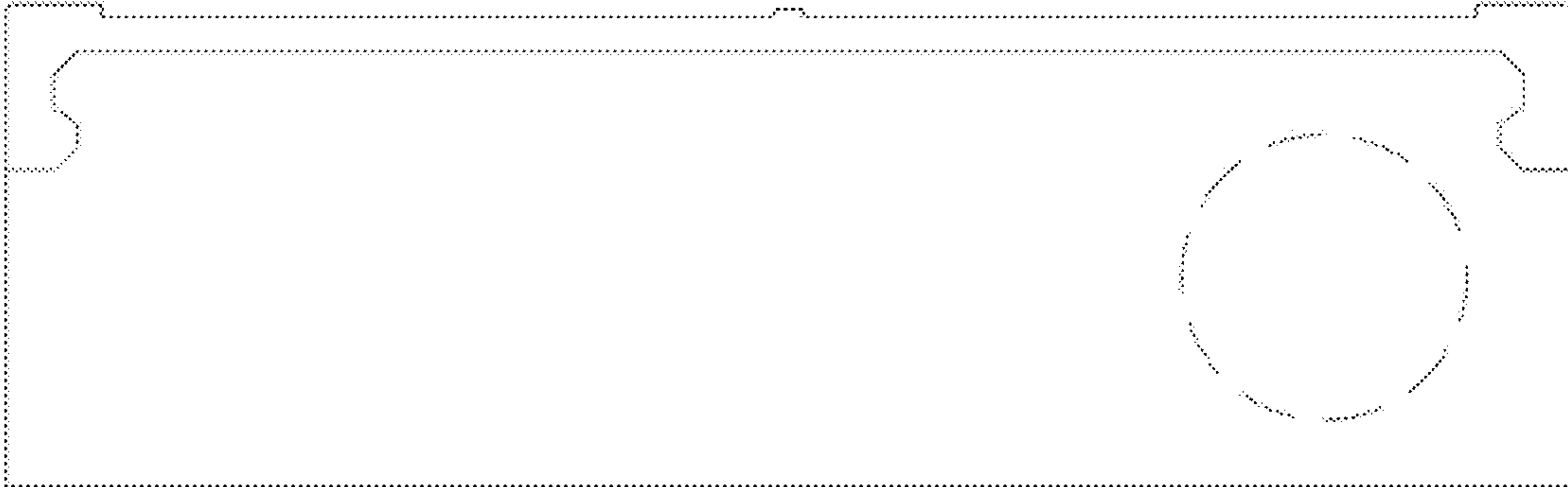


FIG. 4

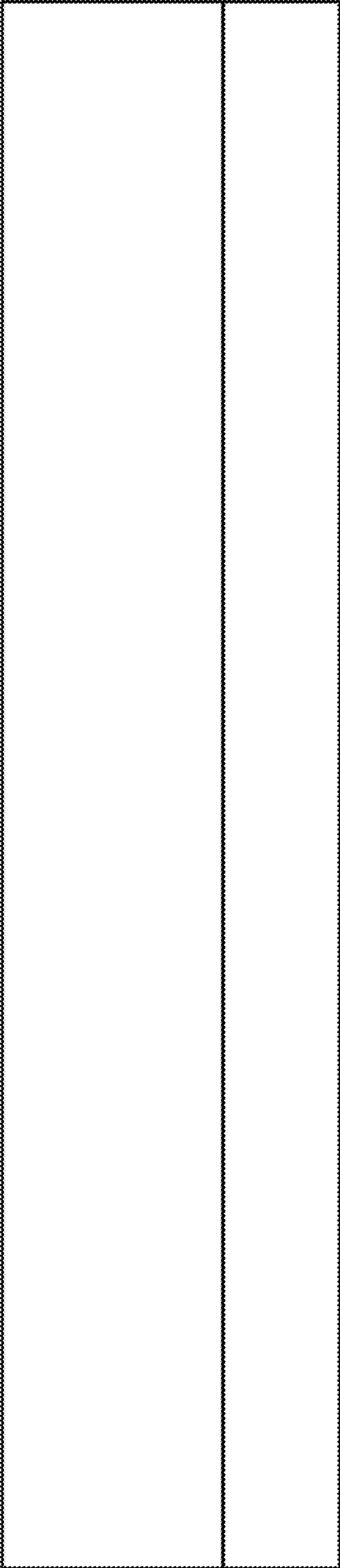


FIG. 6

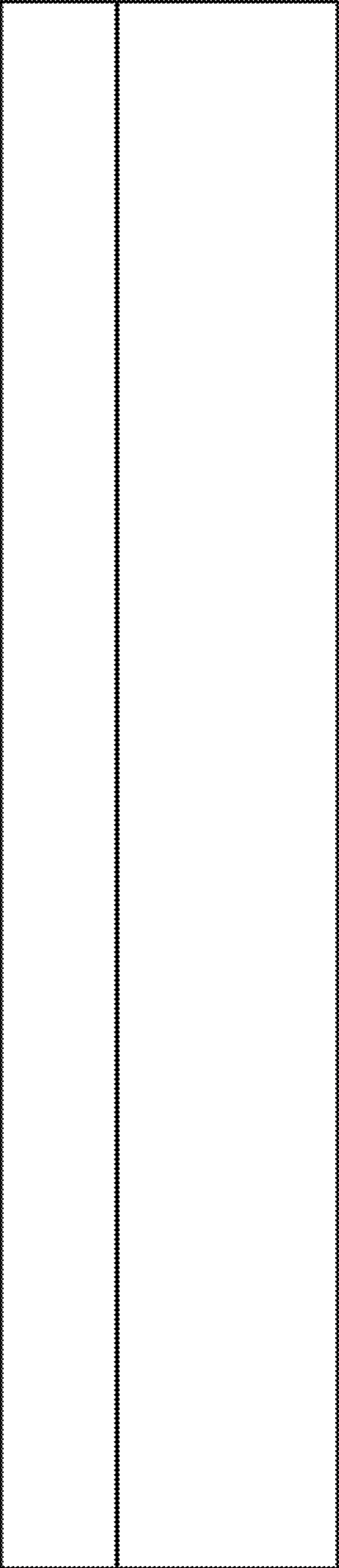


FIG. 7