



US00D911193S

(12) **United States Design Patent** (10) **Patent No.:** **US D911,193 S**  
**Endo** (45) **Date of Patent:** **\*\* Feb. 23, 2021**

(54) **IN-VEHICLE DISPLAY DEVICE**

(71) Applicant: **ALPINE ELECTRONICS, INC.**,  
Tokyo (JP)

(72) Inventor: **Hideki Endo**, Tokyo (JP)

(73) Assignee: **ALPINE ELECTRONICS, INC.**,  
Tokyo (JP)

(\*\*) Term: **15 Years**

(21) Appl. No.: **29/693,959**

(22) Filed: **Jun. 6, 2019**

(30) **Foreign Application Priority Data**

Dec. 25, 2018 (JP) ..... 2018-28265

(51) **LOC (13) Cl.** ..... **10-04**

(52) **U.S. Cl.**  
USPC ..... **D10/74**

(58) **Field of Classification Search**

USPC ..... D14/125-137, 239, 314-316, 322, 326,  
D14/257, 258; D10/65, 74

CPC ..... G06F 1/16; G06F 1/1601; G06F 1/1637;  
H04N 5/64; H05K 5/0204; H05K 5/0017;  
H05K 5/0217

See application file for complete search history.

(56) **References Cited**

**U.S. PATENT DOCUMENTS**

D514,003 S \* 1/2006 Kim ..... D10/65  
D517,538 S \* 3/2006 Chen ..... D14/257  
D518,038 S \* 3/2006 Aono ..... D14/258  
D541,681 S \* 5/2007 Sekino ..... D10/65  
D547,308 S \* 7/2007 Aihara ..... D14/258  
D627,244 S \* 11/2010 Nakane ..... D10/65  
D653,132 S \* 1/2012 Shimizu ..... D10/65  
D673,472 S \* 1/2013 Sugita ..... D10/65  
D689,384 S \* 9/2013 Morikawa ..... D10/65  
D691,499 S \* 10/2013 Koiwa ..... D10/65

(Continued)

**FOREIGN PATENT DOCUMENTS**

EM 006532669-0001 \* 6/2019  
JP D2010-8689 \* 10/2010

(Continued)

**OTHER PUBLICATIONS**

X409-WRA-JK, date not available, [retrieved Sep. 10, 2020],  
Retrieved from Internet, URL: <<https://www.alpine-usa.com/product/jeep-wrangler-radio-apple-carplay-android-auto-x409-wra-jk>> (Year:  
2020).\*

(Continued)

*Primary Examiner* — Barbara Fox

*Assistant Examiner* — Aram Kwon

(74) *Attorney, Agent, or Firm* — Brinks Gilson & Lione

(57) **CLAIM**

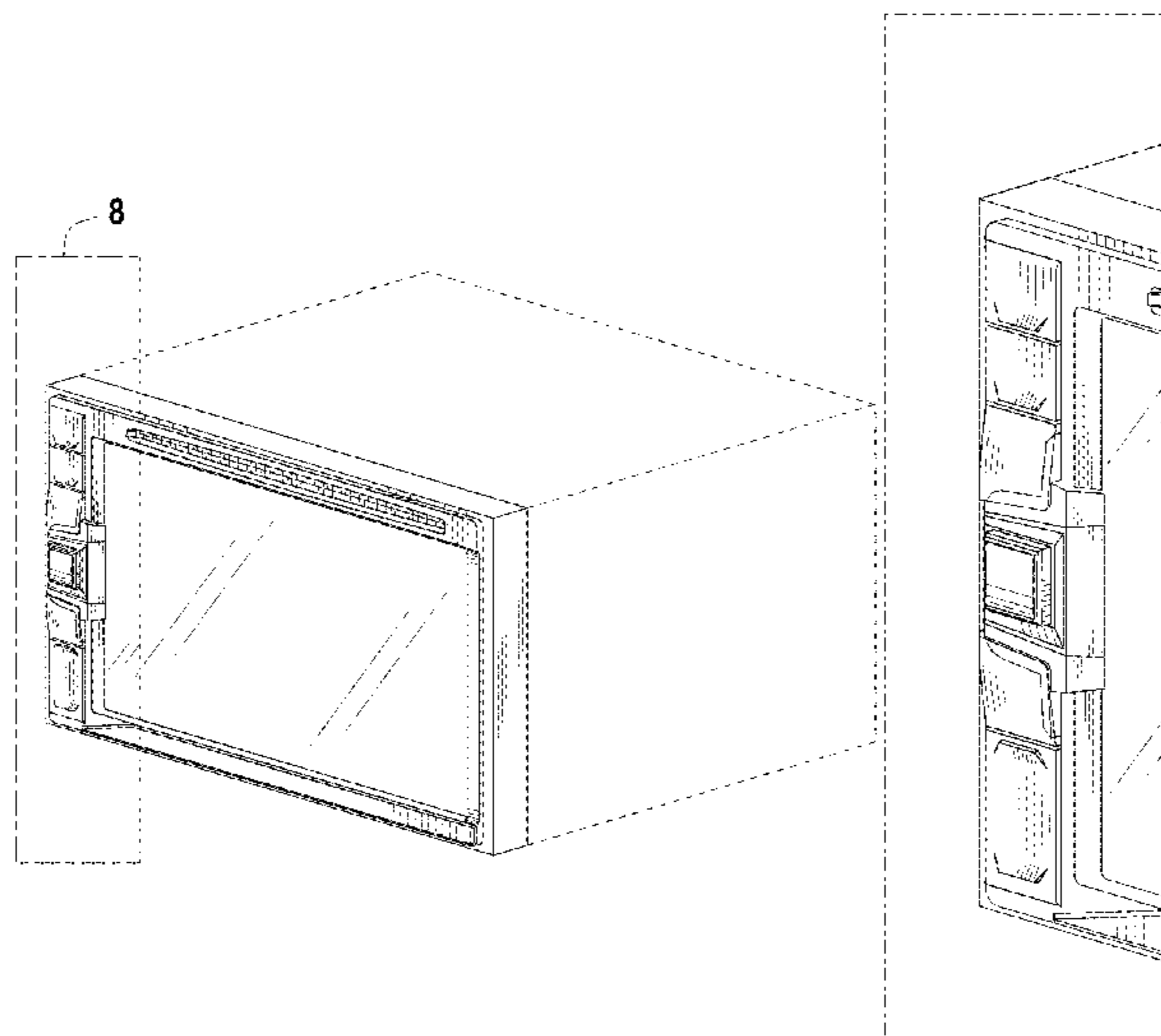
The ornamental design for an in-vehicle display device, as  
shown and described.

**DESCRIPTION**

FIG. 1 is a perspective view of an in-vehicle display device;  
FIG. 2 is a front view thereof;  
FIG. 3 is a rear view thereof;  
FIG. 4 is a top view thereof;  
FIG. 5 is a bottom view thereof;  
FIG. 6 is a right side view thereof;  
FIG. 7 is a left side view thereof; and,  
FIG. 8 is an enlarged view of the enclosed portion 8 in FIG.  
1.

The evenly dashed lines are for environmental purposes only  
and form no part of the claimed design. The dash-dot lines  
enclosing portions of the claimed design that are illustrated  
in enlargements form no part of the claimed design.

**1 Claim, 8 Drawing Sheets**



(56)

References Cited

U.S. PATENT DOCUMENTS

D698,671 S \* 2/2014 Takahara ..... D10/65  
 D709,466 S \* 7/2014 Sugita ..... D14/126  
 D722,990 S \* 2/2015 Murakami ..... D14/129  
 D724,048 S \* 3/2015 Tomono ..... D14/157  
 D726,561 S \* 4/2015 Endo ..... D10/74  
 D726,563 S \* 4/2015 Endo ..... D10/74  
 D731,907 S \* 6/2015 Funayama ..... D10/74  
 D737,859 S \* 9/2015 Morikawa ..... D14/496  
 D741,834 S \* 10/2015 Kimura ..... D14/203.7  
 D745,857 S \* 12/2015 Funayama ..... D14/203.7  
 D781,800 S \* 3/2017 Kluser ..... D14/126  
 D793,886 S \* 8/2017 Ichikawa ..... D10/74  
 D817,321 S \* 5/2018 Sakata ..... D14/258  
 D817,359 S \* 5/2018 Mihara ..... D14/258  
 D849,741 S \* 5/2019 Wei ..... D14/336  
 D864,191 S \* 10/2019 Sakata ..... D14/258  
 D865,754 S \* 11/2019 Mihara ..... D14/258  
 2013/0175905 A1 \* 7/2013 Sanlaville ..... H04B 1/082  
 312/7.1

FOREIGN PATENT DOCUMENTS

JP D2011-6912 \* 11/2011  
 JP D2011-6913 \* 11/2011  
 JP D2018-28265 \* 9/2019  
 JP D2019-745 \* 10/2019

OTHER PUBLICATIONS

Alpine Electronics . . . Jeep Wrangler, May 6, 2015, [retrieved Sep. 10, 2020], Retrieved from Internet, URL: <<https://www.businesswire.com/news/home/20150506006413/en/Alpine-Electronics-Shipping-9-Inch-Restyle-Dash-System>> (Year: 2015).\*

Alpine INE-W970HD Navigation Receiver, (c) 2019 [online], [retrieved Sep. 10, 2020], Retrieved from Internet, URL: <<https://www.amazon.com/Alpine-INE-W970HD-Navigation-Receiver-CarPlay/dp/B07VFM CZV8>> (Year: 2019).\*

\* cited by examiner

FIG. 1

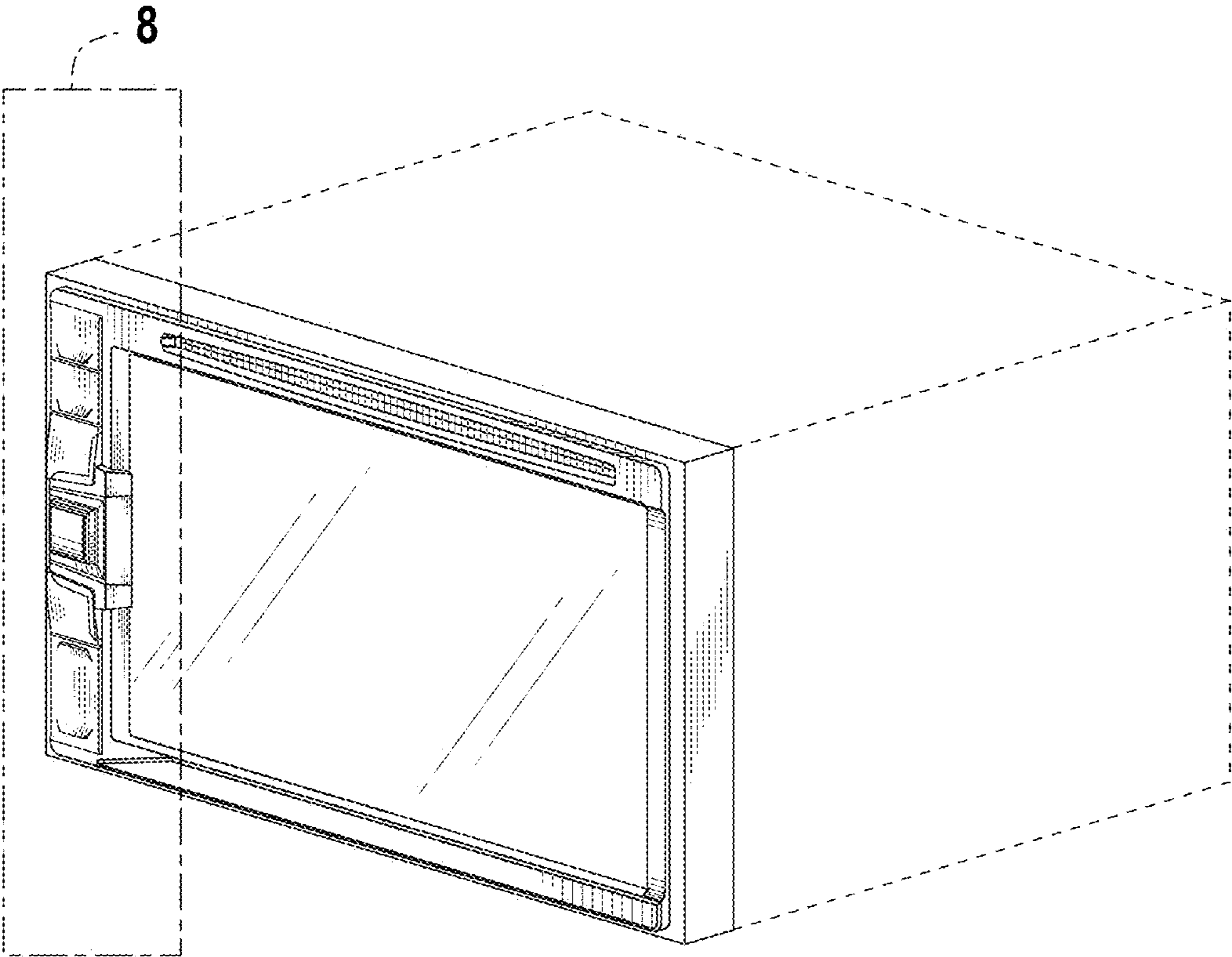
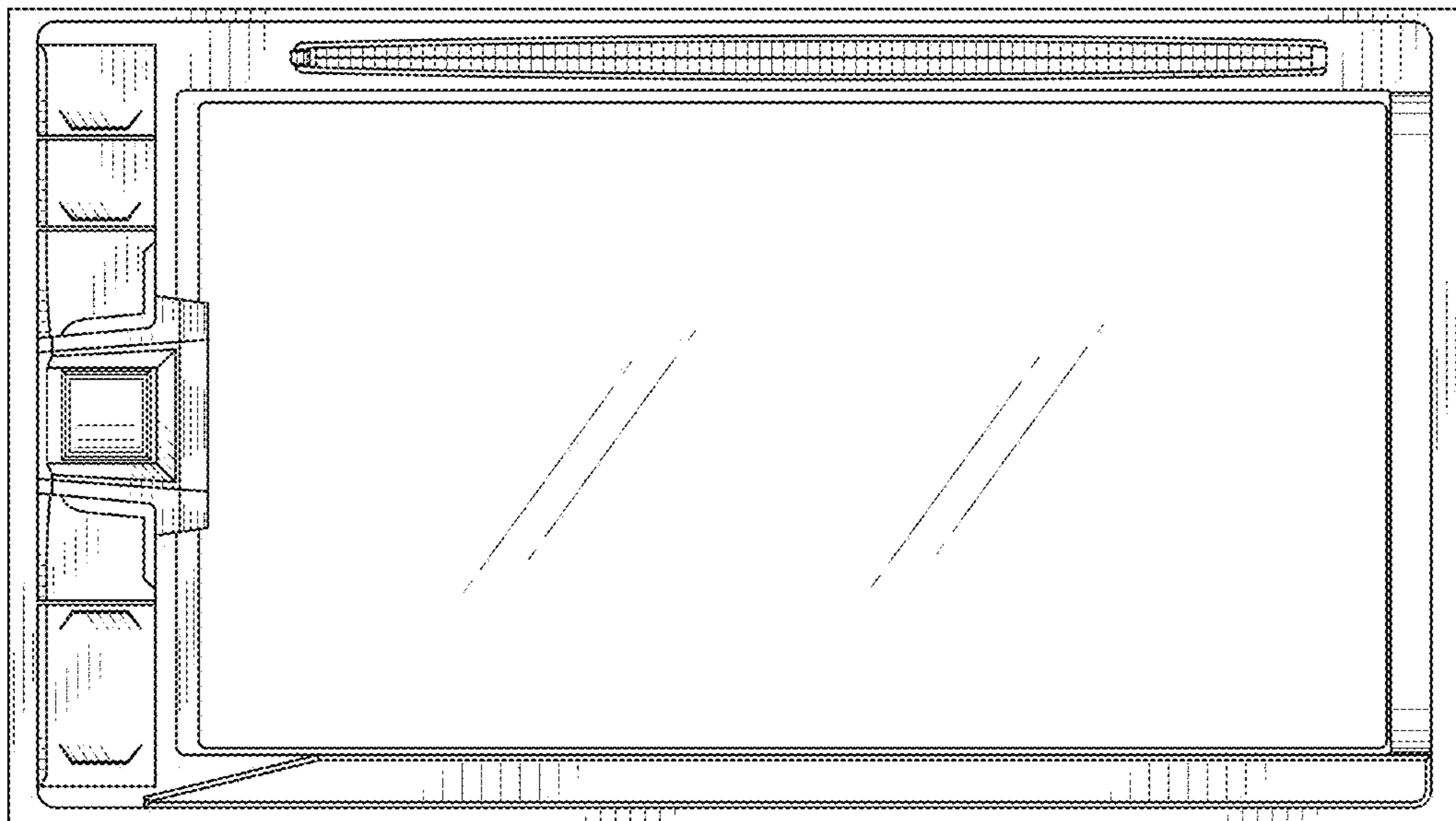


FIG. 2



**FIG. 3**

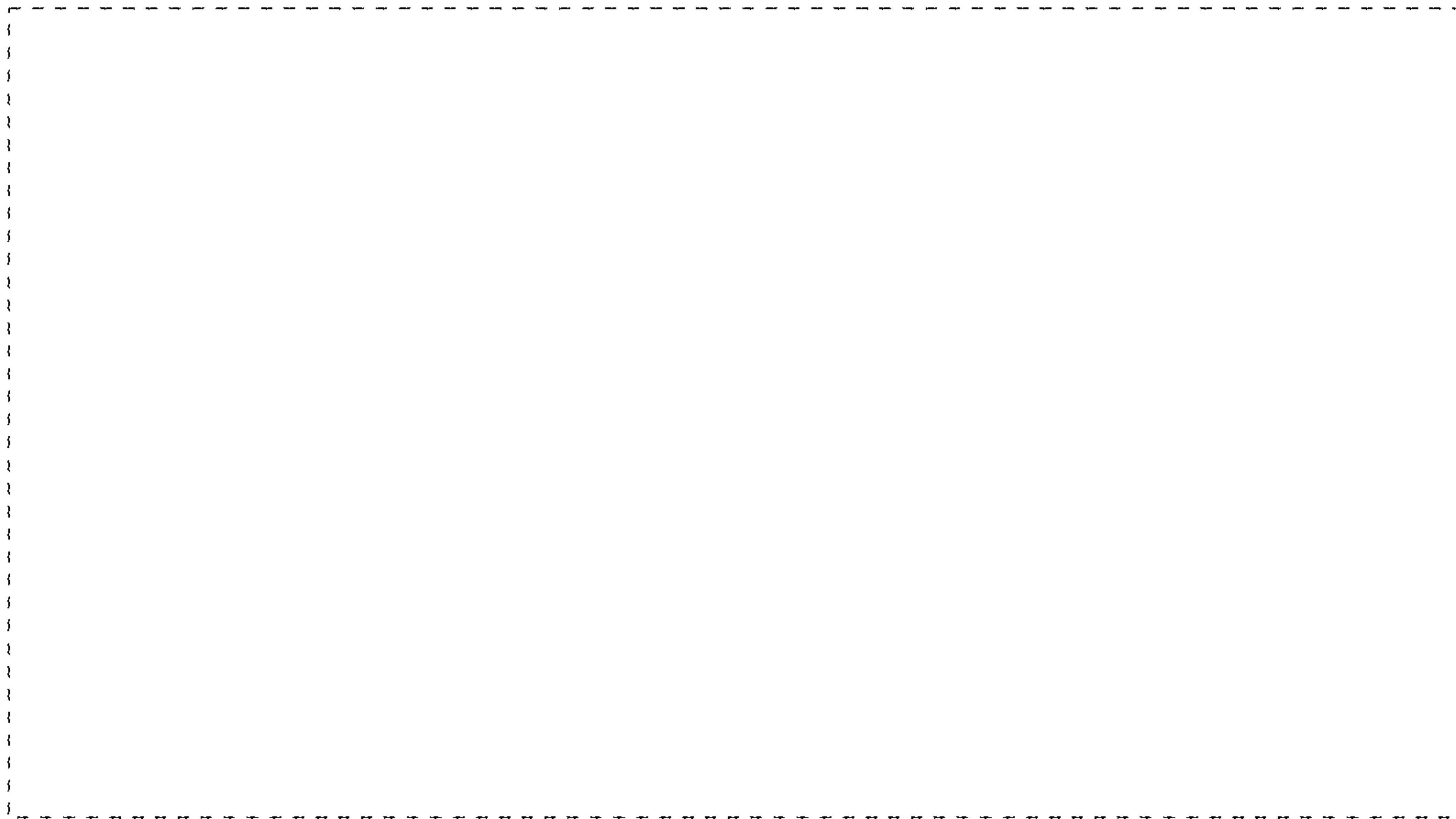
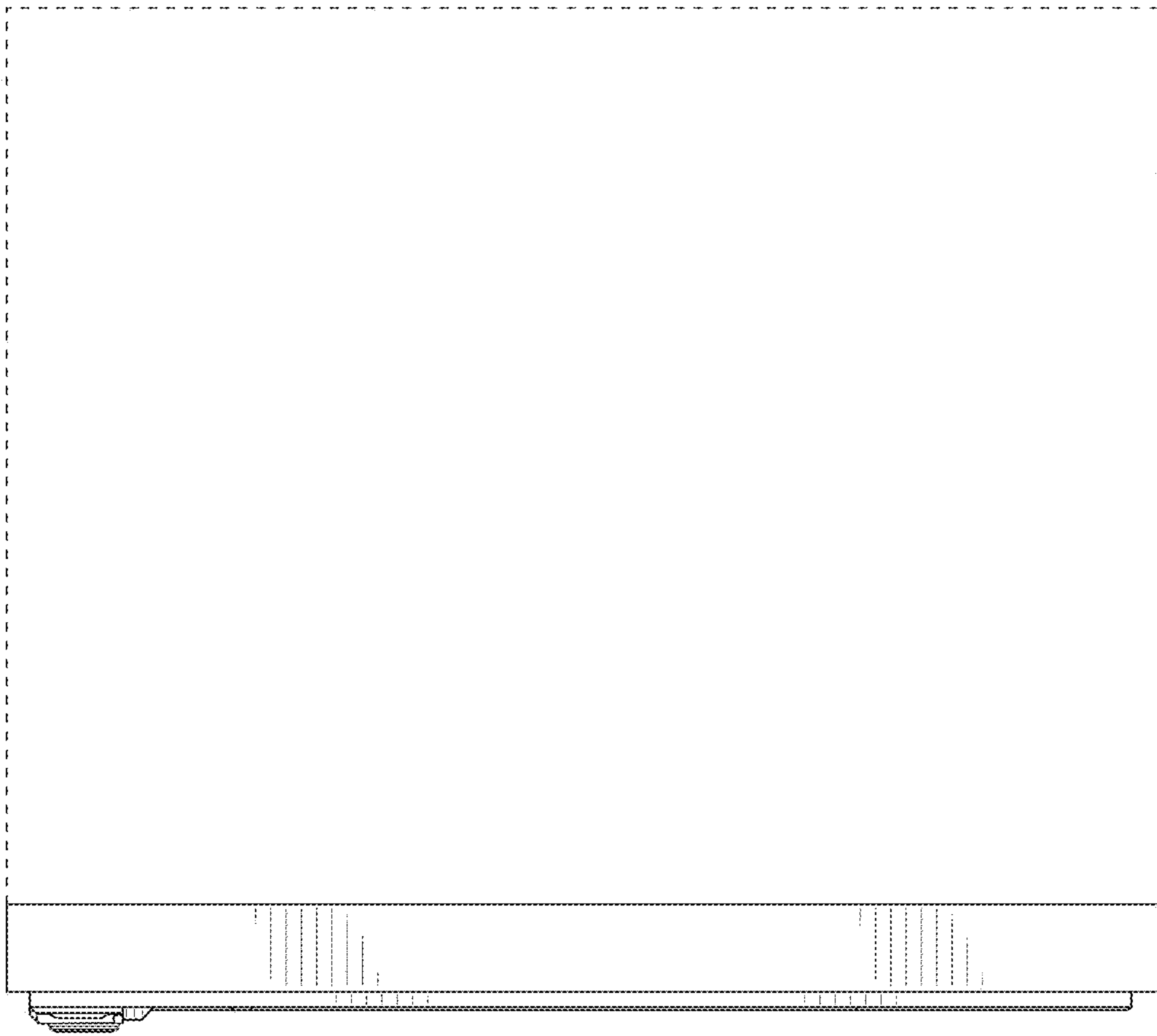


FIG. 4



**FIG. 5**

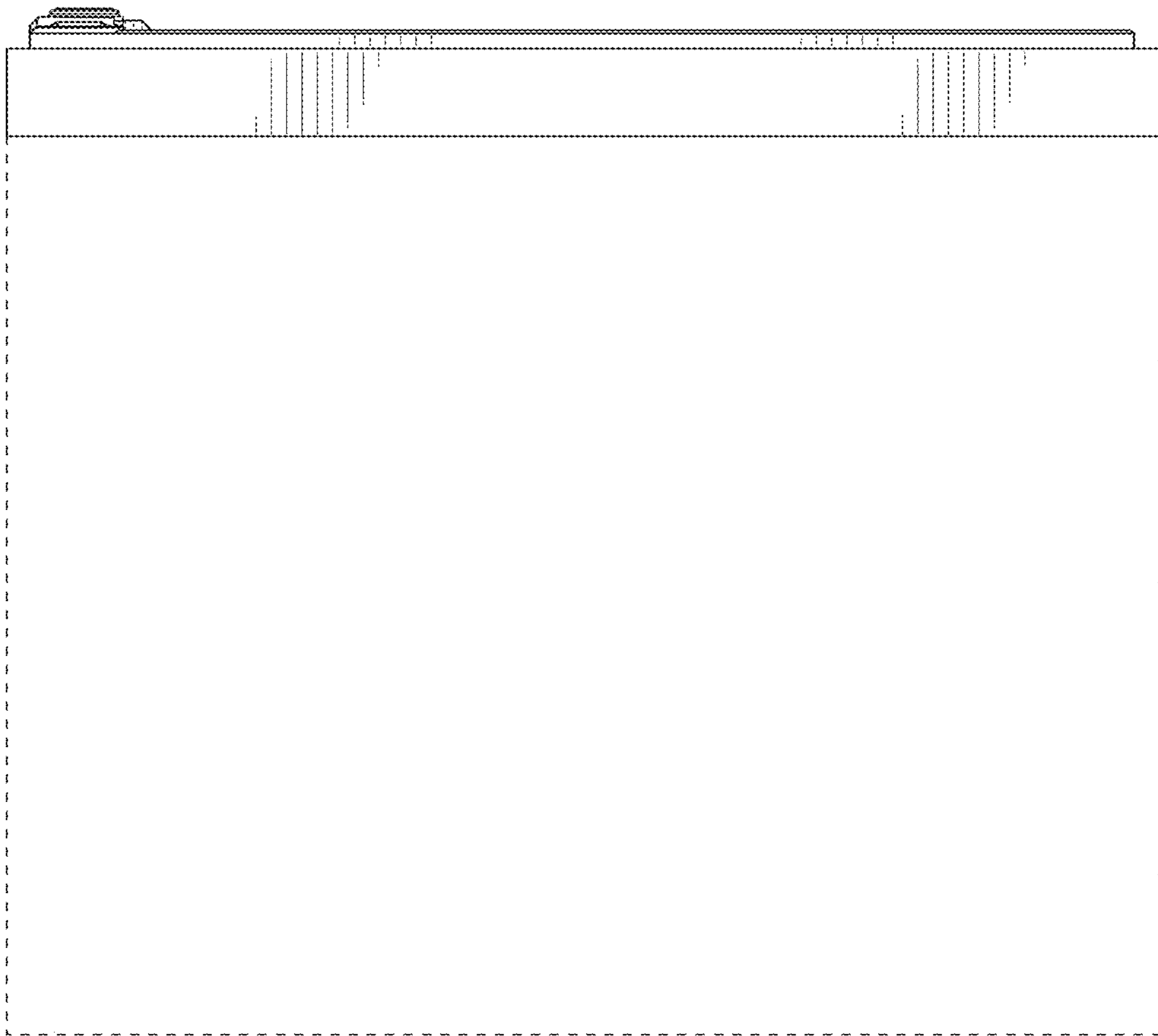




FIG. 6

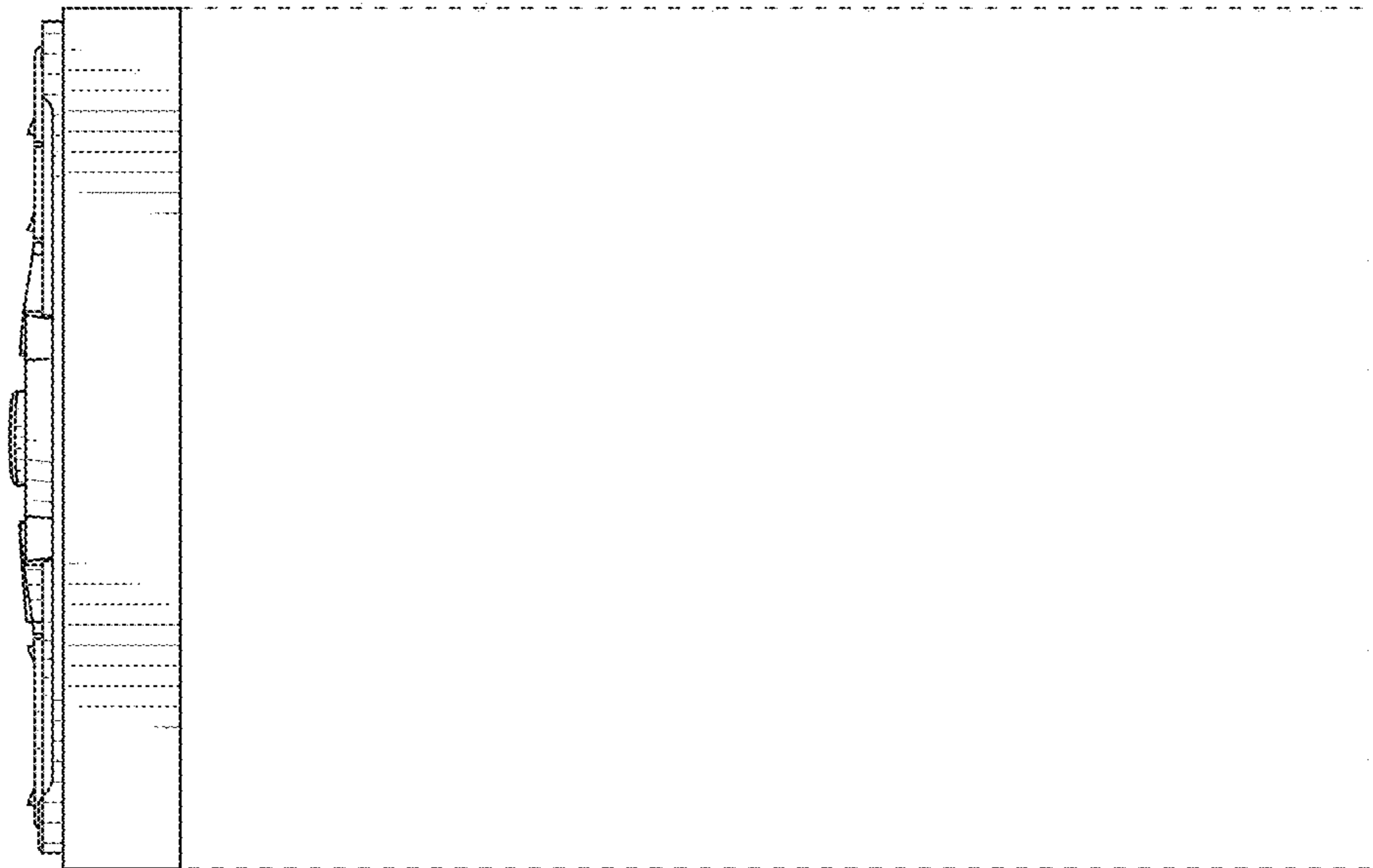
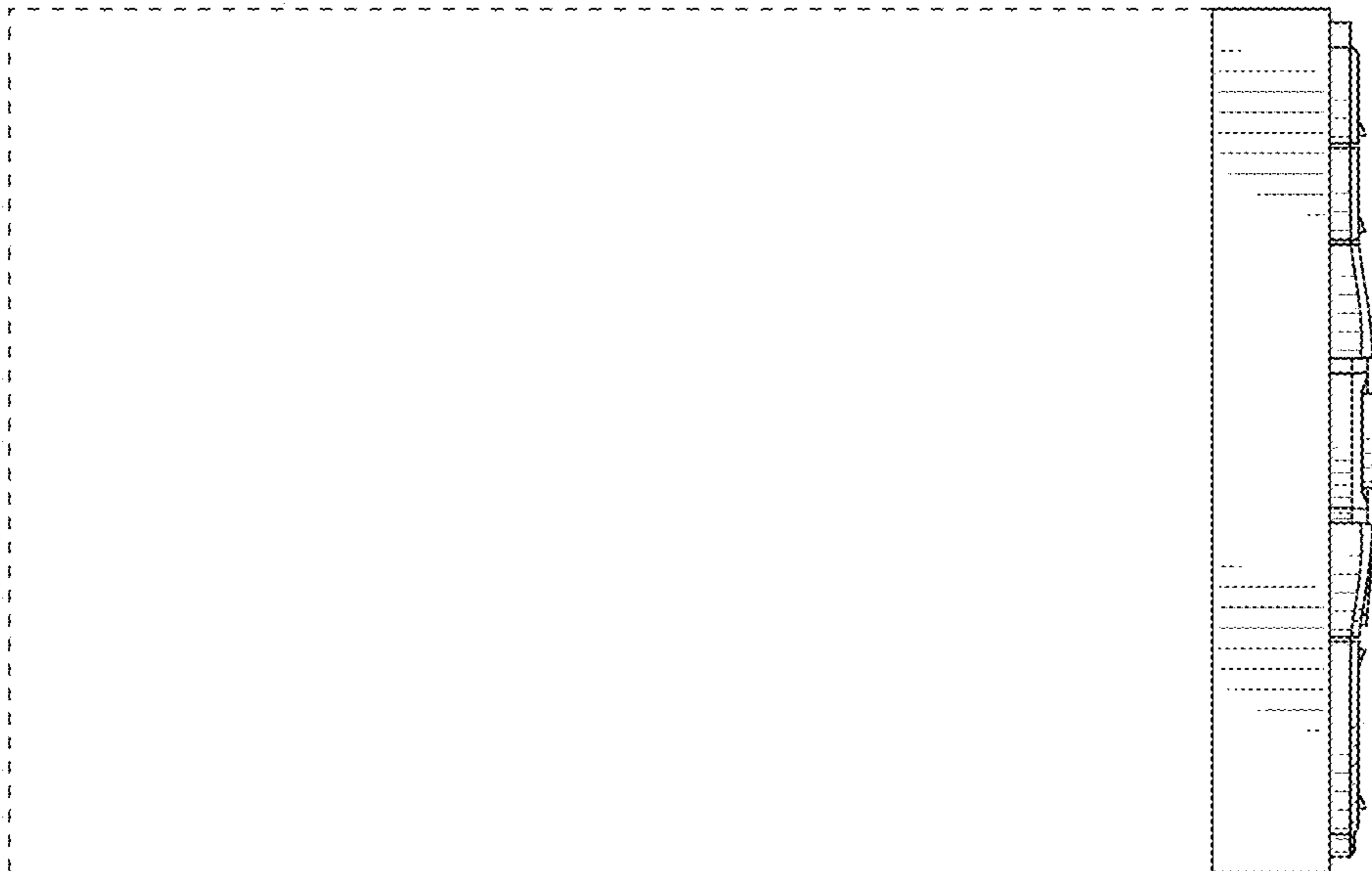




FIG. 7



**FIG. 8**

