



US00D911192S

(12) **United States Design Patent** (10) **Patent No.:** **US D911,192 S**
Babic (45) **Date of Patent:** **** Feb. 23, 2021**

(54) **GOLDEN RATIO DIVIDER**

(56) **References Cited**

(71) Applicant: **PHIACADEMY DOO BEOGRAD,**
Belgrade (RS)

U.S. PATENT DOCUMENTS

(72) Inventor: **Branko Babic,** Belgrade (RS)

4,720,921 A * 1/1988 Beaudry G01O 21/20
 33/10
 D318,433 S * 7/1991 Eveleth; Thomas E D10/65
 D689,383 S * 9/2013 Nesheiwat; Moseur D10/65
 D756,815 S * 5/2016 Fennelly; James B D10/65
 D845,155 S * 4/2019 Esparza; Francisco D10/65
 D850,948 S * 6/2019 Zhan; Jingiang D10/71
 D850,949 S * 6/2019 Elmore; Rico G D10/71

(**) Term: **15 Years**

(21) Appl. No.: **35/507,865**

* cited by examiner

(22) Filed: **Jul. 31, 2019**

(80) **Hague Agreement Data**

Primary Examiner — George D. Kirschbaum
 (74) *Attorney, Agent, or Firm* — Steven M. Shape;
 Dennemeyer & Associates, LLC

Int. Filing Date: **Jul. 31, 2019**

Int. Reg. No.: **DM/204106**

Int. Reg. Date: **Jul. 31, 2019**

Int. Reg. Pub. Date: **Nov. 22, 2019**

(57) **CLAIM**

(30) **Foreign Application Priority Data**

The ornamental design for golden ratio divider, as shown and described.

Jul. 11, 2019 (RS) D-2019/0067

(51) **LOC (13) Cl.** **10-04**

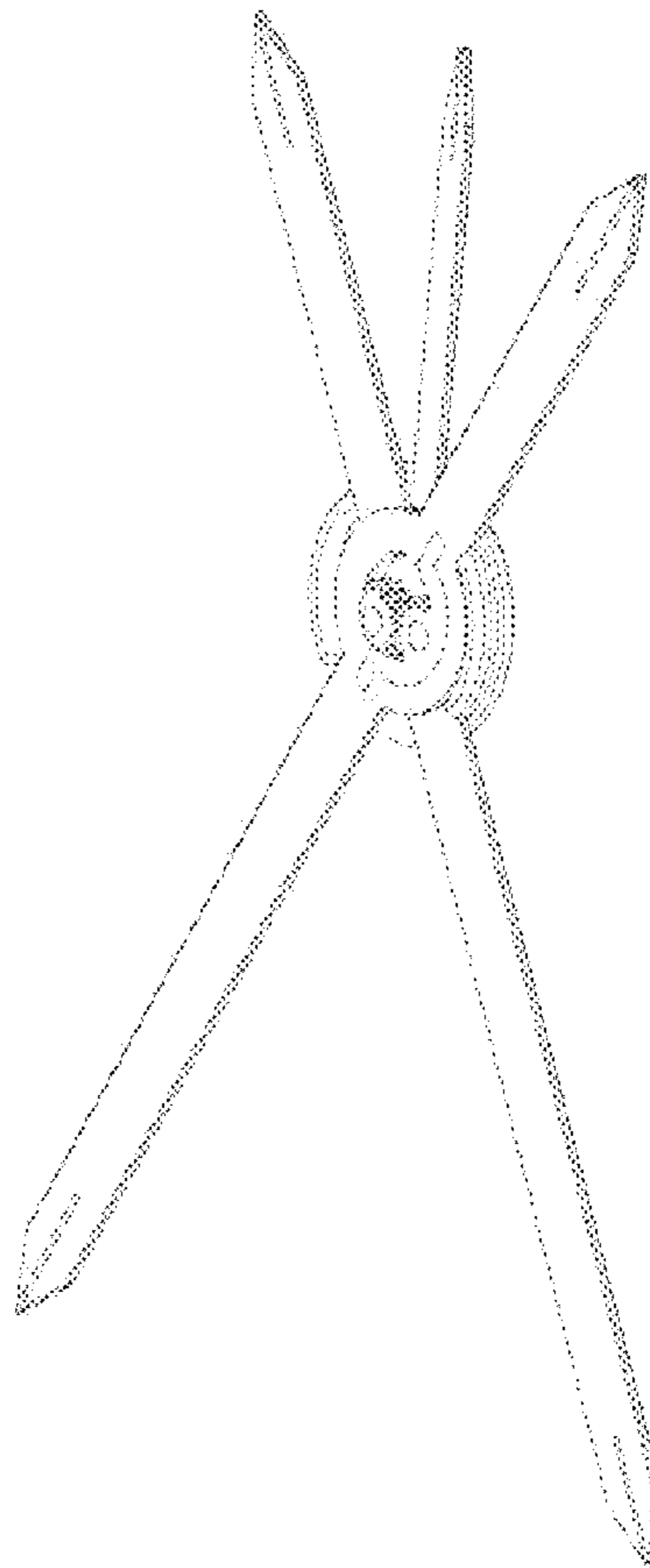
(52) **U.S. Cl.**
USPC **D10/65**

(58) **Field of Classification Search**
 USPC D10/71, 65
 CPC G01C 21/20
 See application file for complete search history.

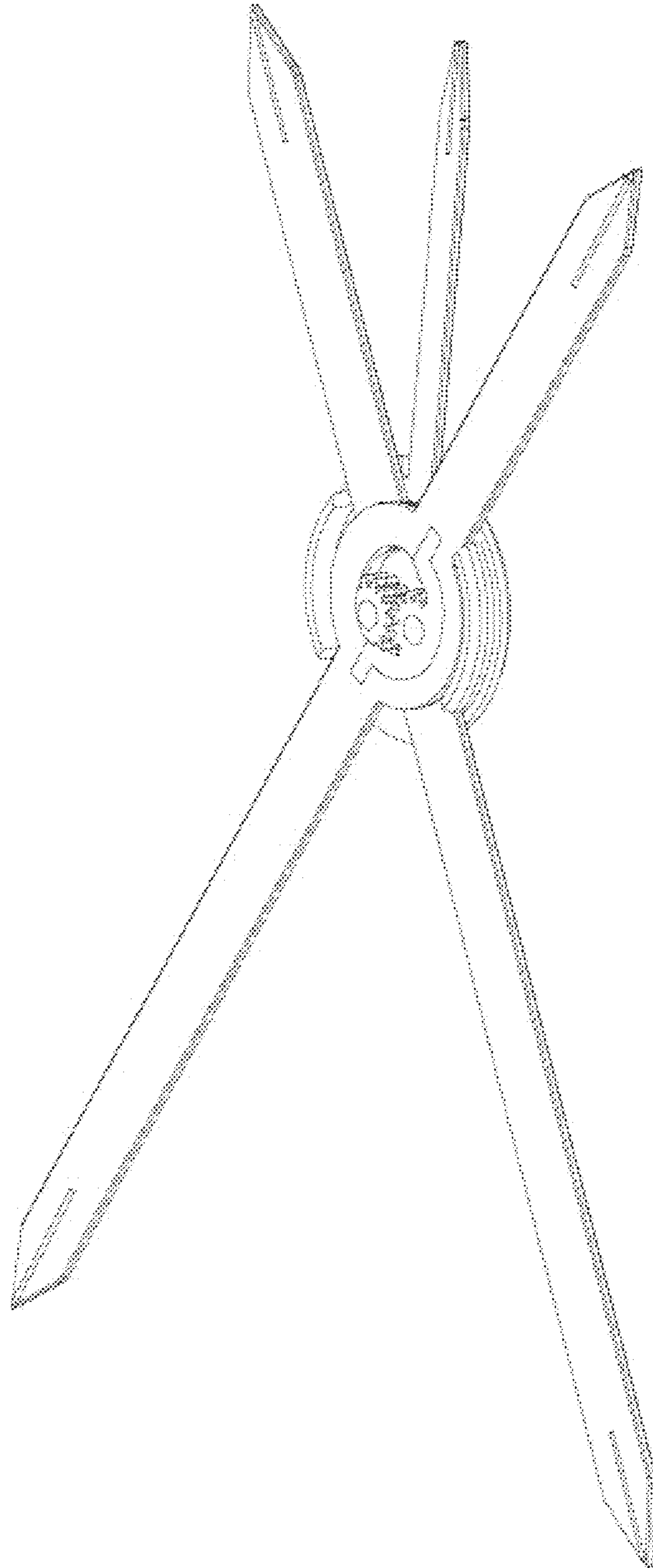
DESCRIPTION

1. Golden ratio divider
- 1.1 is a front perspective view.
- 1.2 is a front view.
- 1.3 is a rear view.

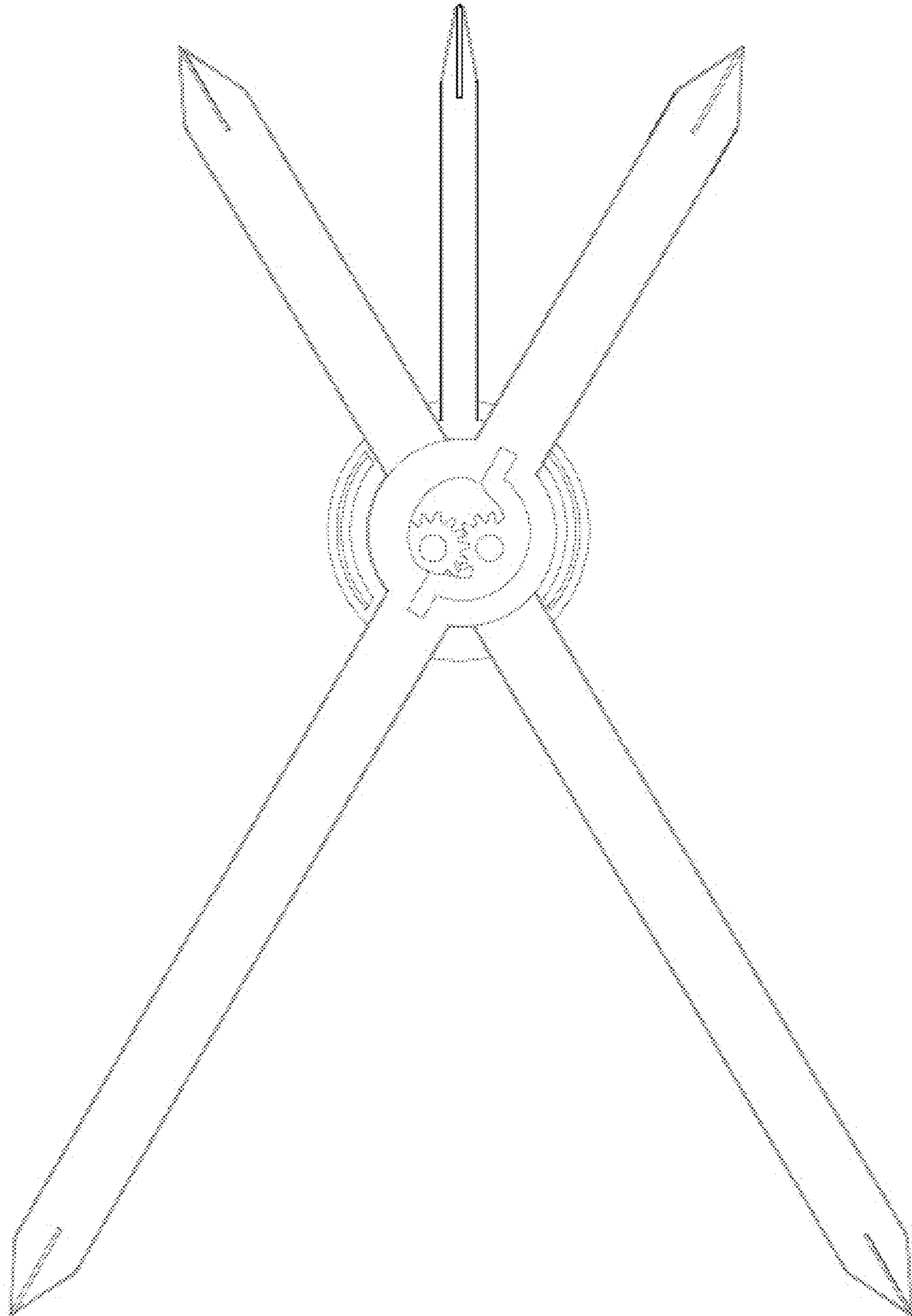
1 Claim, 3 Drawing Sheets



1.1



1.2



1.3

