



US00D911191S

(12) **United States Design Patent**
Qi

(10) **Patent No.:** **US D911,191 S**
(45) **Date of Patent:** **** Feb. 23, 2021**

(54) **SMART THERMOSTAT COASTER**

(71) Applicant: **SHENZHEN NANMU ELECTRONIC COMMERCE CO, LTD.**, Shenzhen (CN)

(72) Inventor: **Weinan Qi**, Shenzhen (CN)

(**) Term: **15 Years**

(21) Appl. No.: **29/735,739**

(22) Filed: **May 22, 2020**

(51) **LOC (13) Cl.** **10-04**

(52) **U.S. Cl.**
USPC **D10/50**

(58) **Field of Classification Search**
USPC D10/49, 50; D13/162, 162.1, 177, 184
CPC . F23N 5/20; F23N 5/203; F23N 5/206; F23N 5/18; F23N 5/184; F23N 5/187; F23N 5/22; F23N 2025/12; F23N 2041/02; F24F 11/00; F24F 11/0012; F24F 11/0009; F24F 11/001; F24F 2011/0057; F24F 2011/0073; F24F 2011/0091
See application file for complete search history.

(56) **References Cited**

U.S. PATENT DOCUMENTS

D347,584 S *	6/1994	Vogelpohl	D10/49
7,384,899 B2 *	6/2008	Schneider	A61K 8/46 510/131
7,592,923 B2 *	9/2009	Lax	G08B 7/066 340/500
D601,861 S	10/2009	Richardson		
D625,963 S	10/2010	Parella		
D653,087 S	1/2012	Pogorelnik Krasovec		
8,371,164 B2 *	2/2013	Sneek	G02B 1/14 73/431
8,448,507 B2 *	5/2013	Salmi	G01W 1/14 73/170.16
8,489,243 B2 *	7/2013	Fadell	F24F 11/63 700/277

8,532,827 B2 *	9/2013	Stefanski	G05D 23/1919 700/276
D696,077 S	12/2013	Williams		
D700,075 S *	2/2014	Bould	G01R 31/26 D10/49
D738,691 S	9/2015	Williams		
9,256,230 B2 *	2/2016	Matsuoka	G05B 19/106
D772,019 S	11/2016	Williams		
D781,663 S	3/2017	Williams		
D789,154 S	6/2017	Walker		
9,766,606 B2 *	9/2017	Fadell	G06F 3/0362
D819,460 S *	6/2018	Fadell	G01R 31/26 D10/50

(Continued)

Primary Examiner — Antoine Duval Davis
(74) *Attorney, Agent, or Firm* — Law Offices of Steven W. Weinrieb

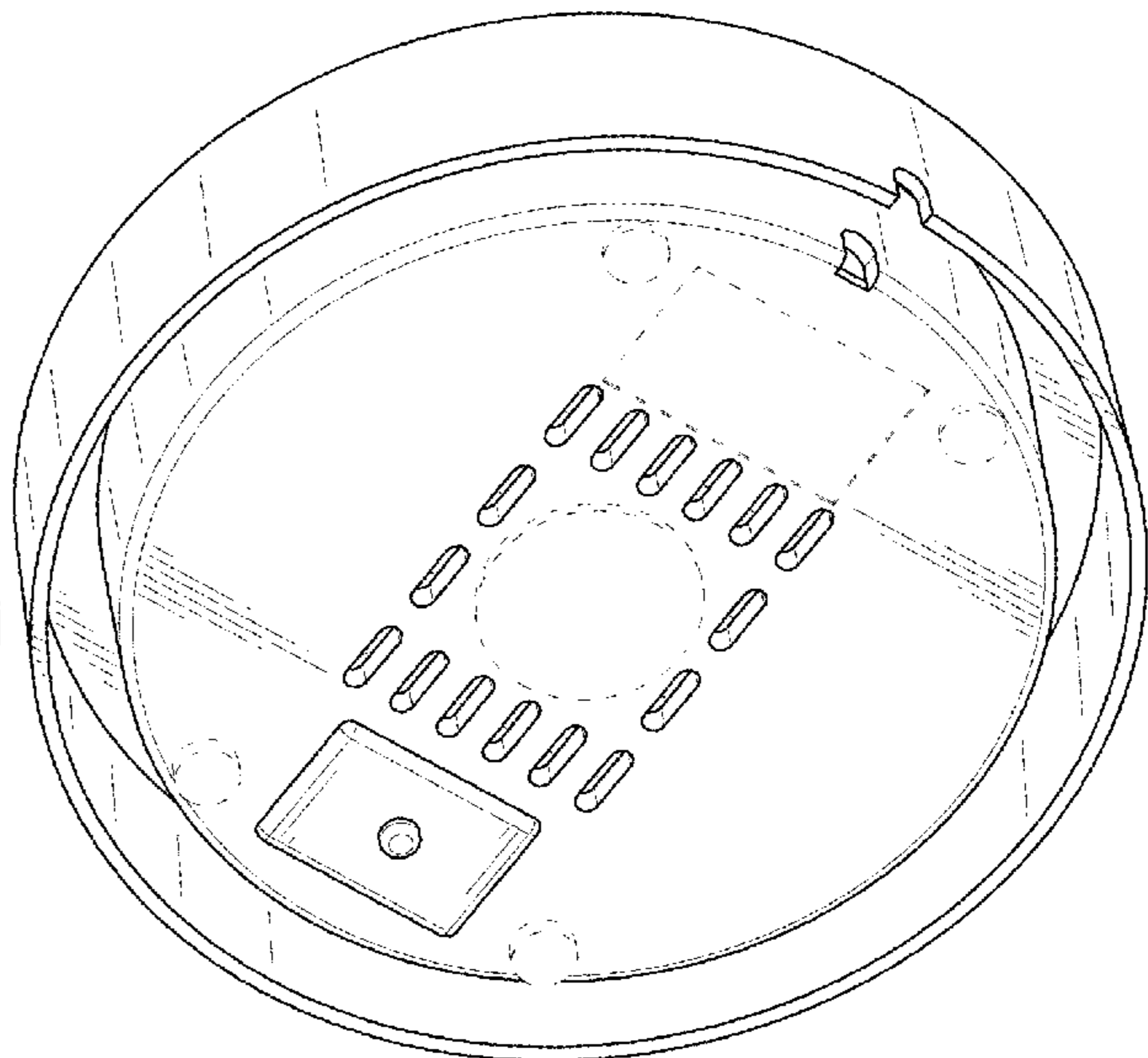
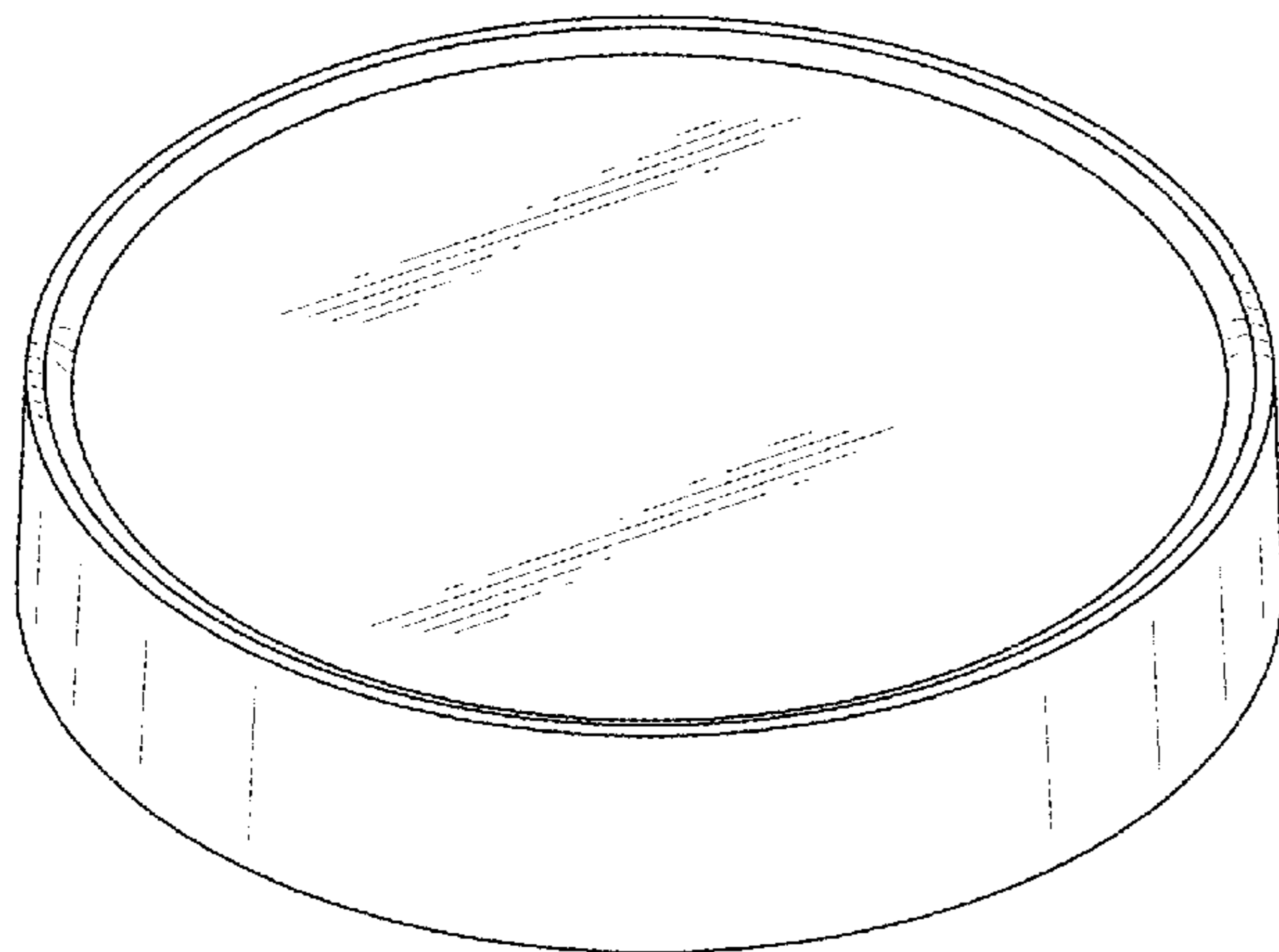
(57) **CLAIM**

The ornamental design for a smart thermostat coaster, as shown and described.

DESCRIPTION

FIG. 1 is a front, left side, top perspective view of a smart thermostat coaster showing my new design; FIG. 2 is a rear, left side, bottom perspective view thereof; FIG. 3 is a front elevational view thereof; FIG. 4 is a rear elevational view thereof; FIG. 5 is a left side elevational view thereof; FIG. 6 is a right side elevational view thereof; FIG. 7 is a top plan view thereof; FIG. 8 is a bottom plan view thereof; and, FIG. 9 is a rear, left side, top perspective view thereof of the smart thermostat coaster showing its connection to an electrical power cord. The broken lines depict environment with which the smart thermostat coaster may be used and which form no part of the claimed design.

1 Claim, 9 Drawing Sheets



(56)

References Cited

U.S. PATENT DOCUMENTS

D823,146 S * 7/2018 Minchilli D10/49
D828,115 S 9/2018 Erickson
D829,512 S 10/2018 Masanek, Jr. et al.
D843,238 S * 3/2019 Rose D10/50
D863,258 S * 10/2019 Song D14/218
D885,208 S * 5/2020 Rose G06F 3/0362
D10/50

* cited by examiner

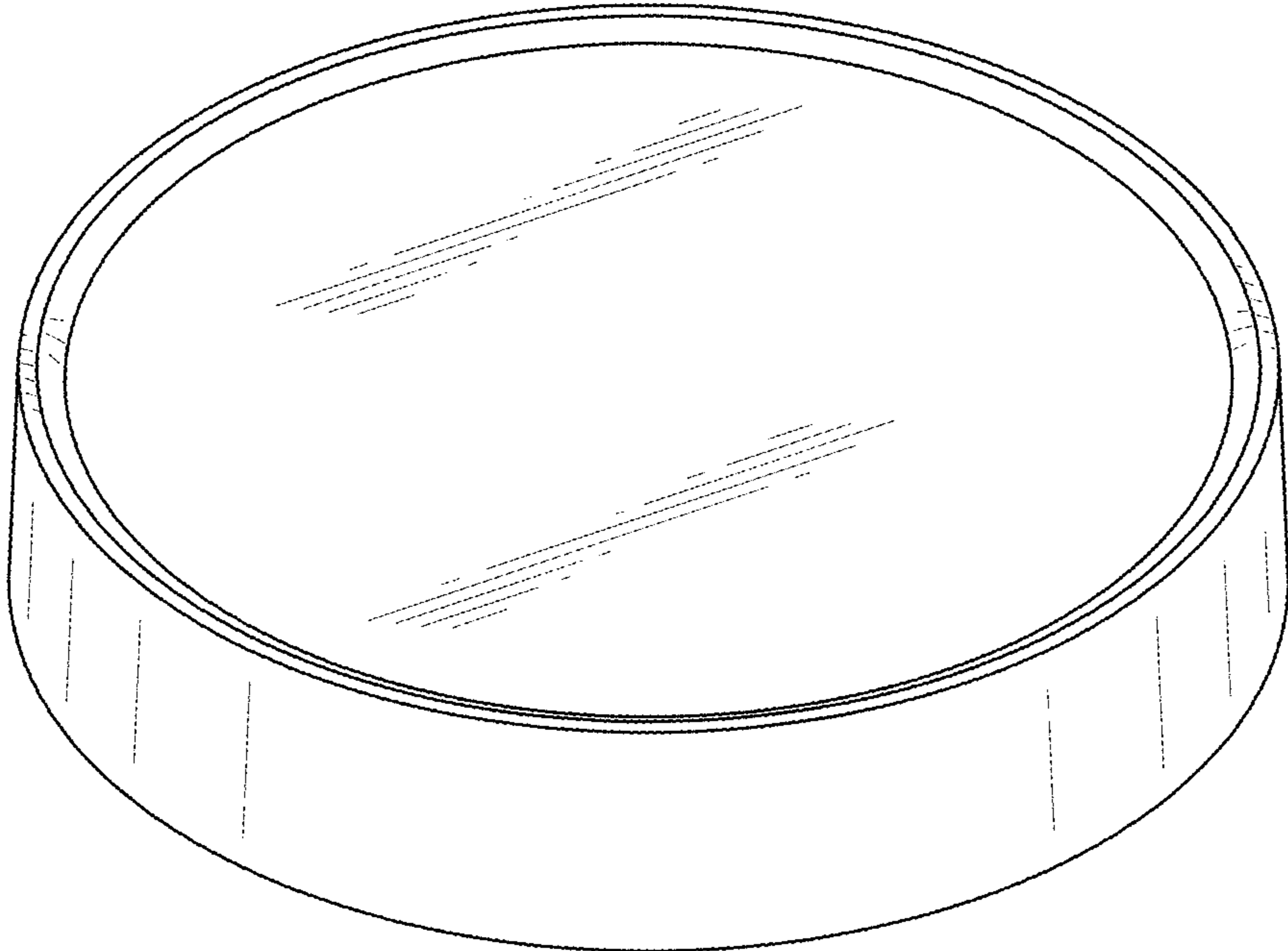


FIG.1

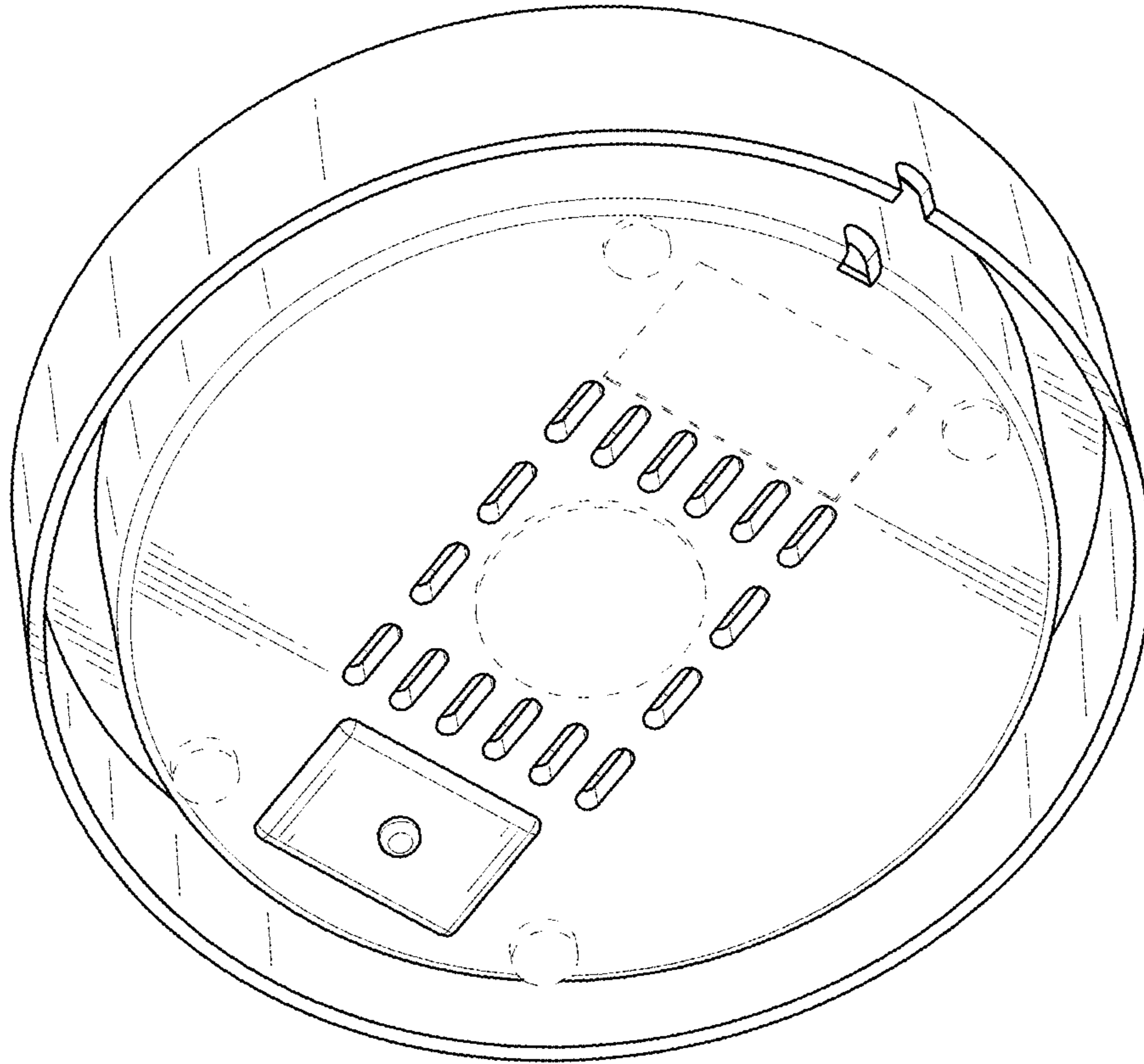


FIG.2

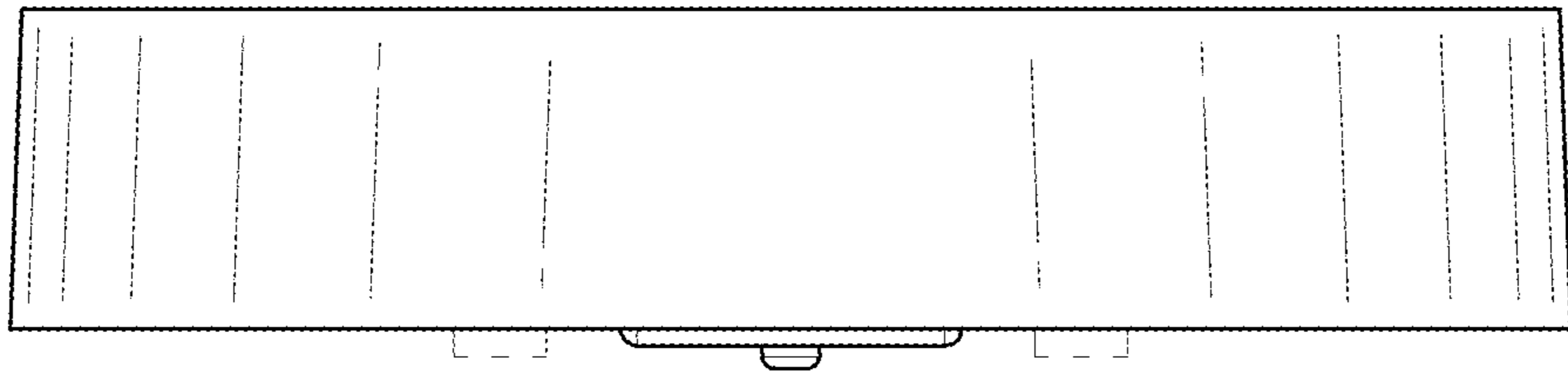


FIG.3

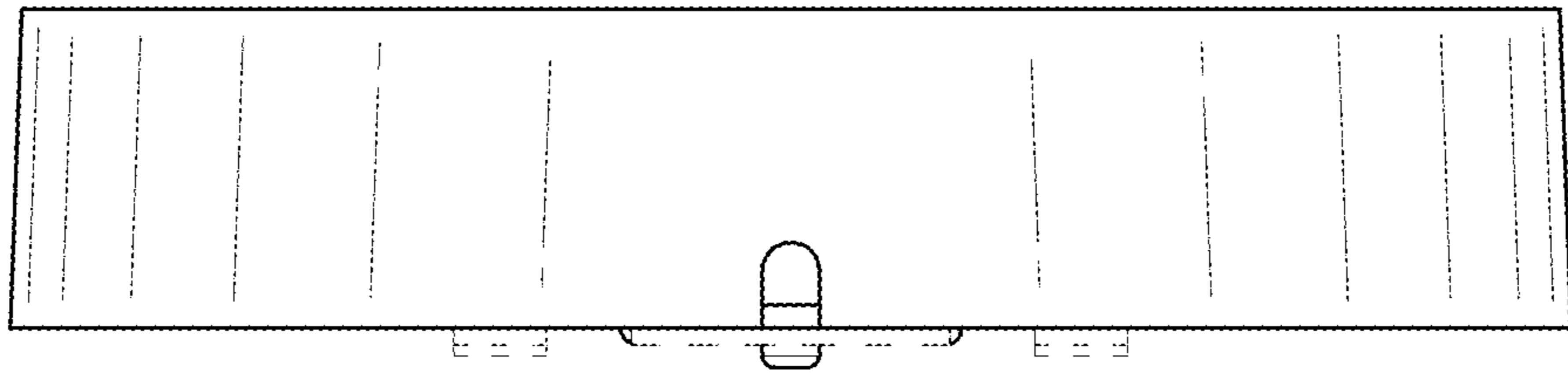


FIG.4

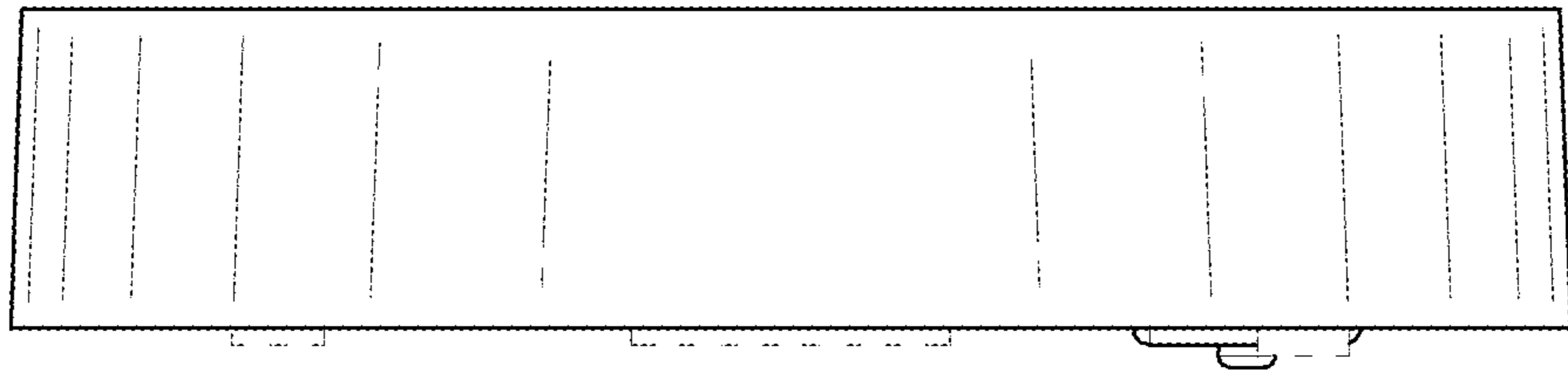


FIG.5

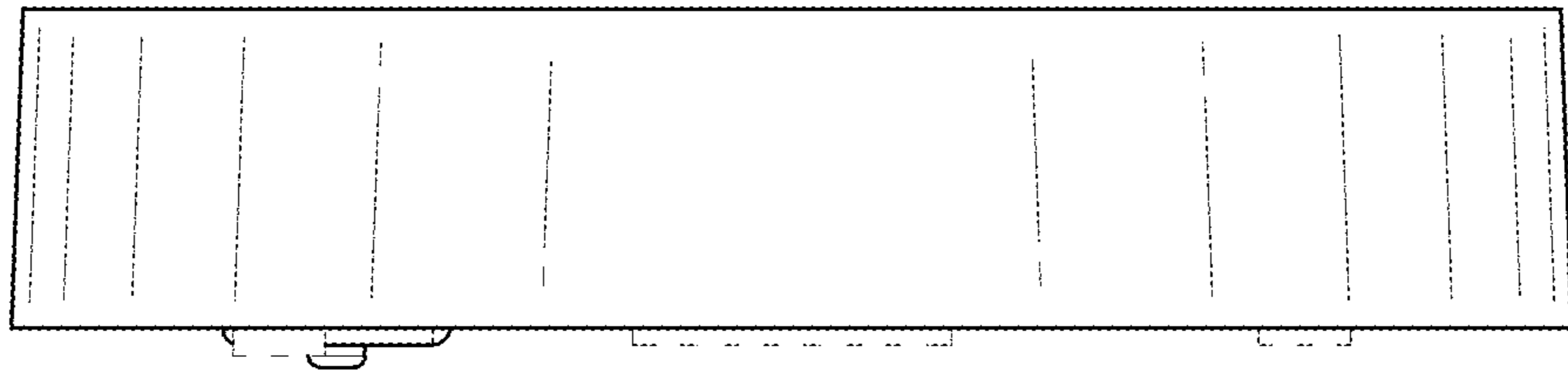


FIG.6

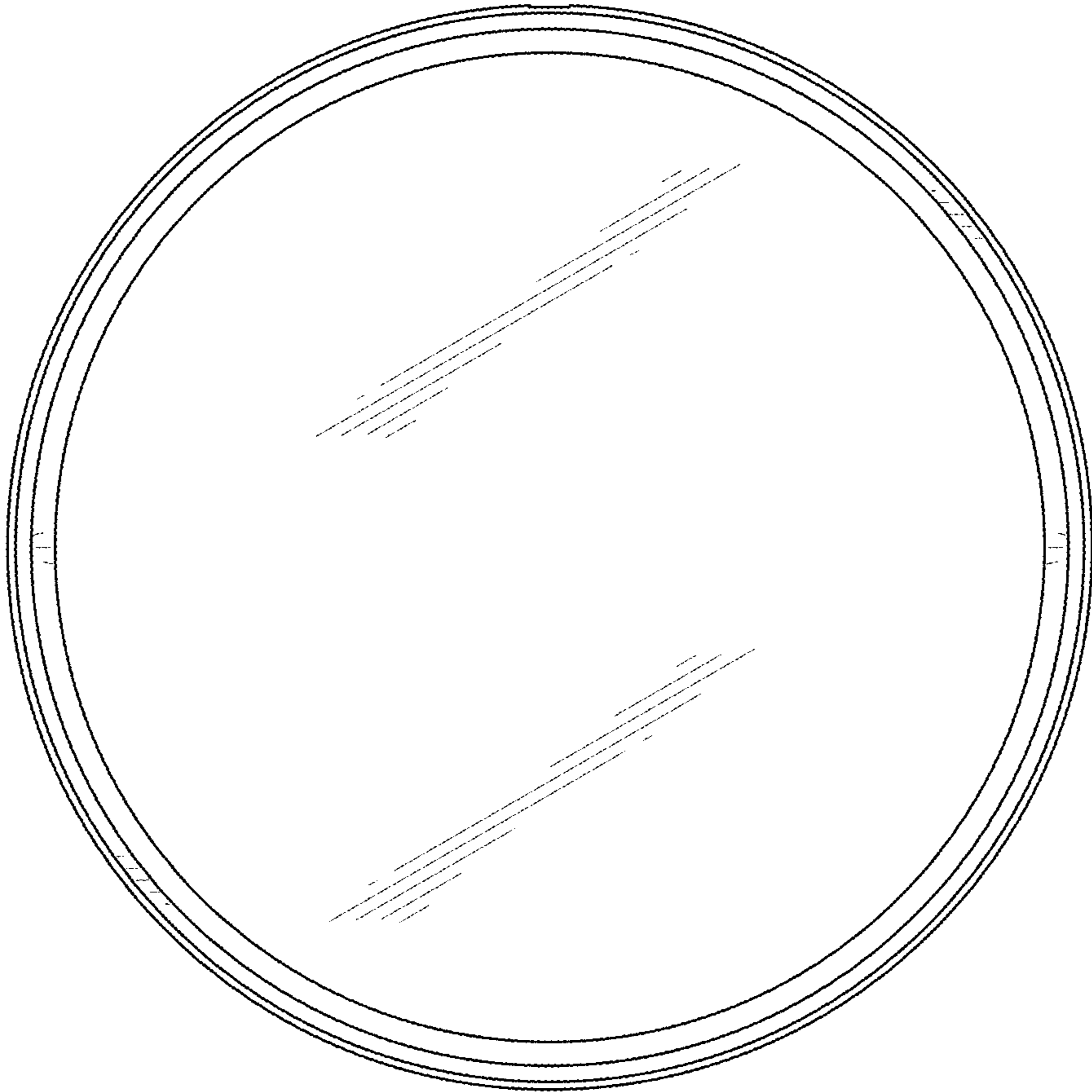


FIG.7

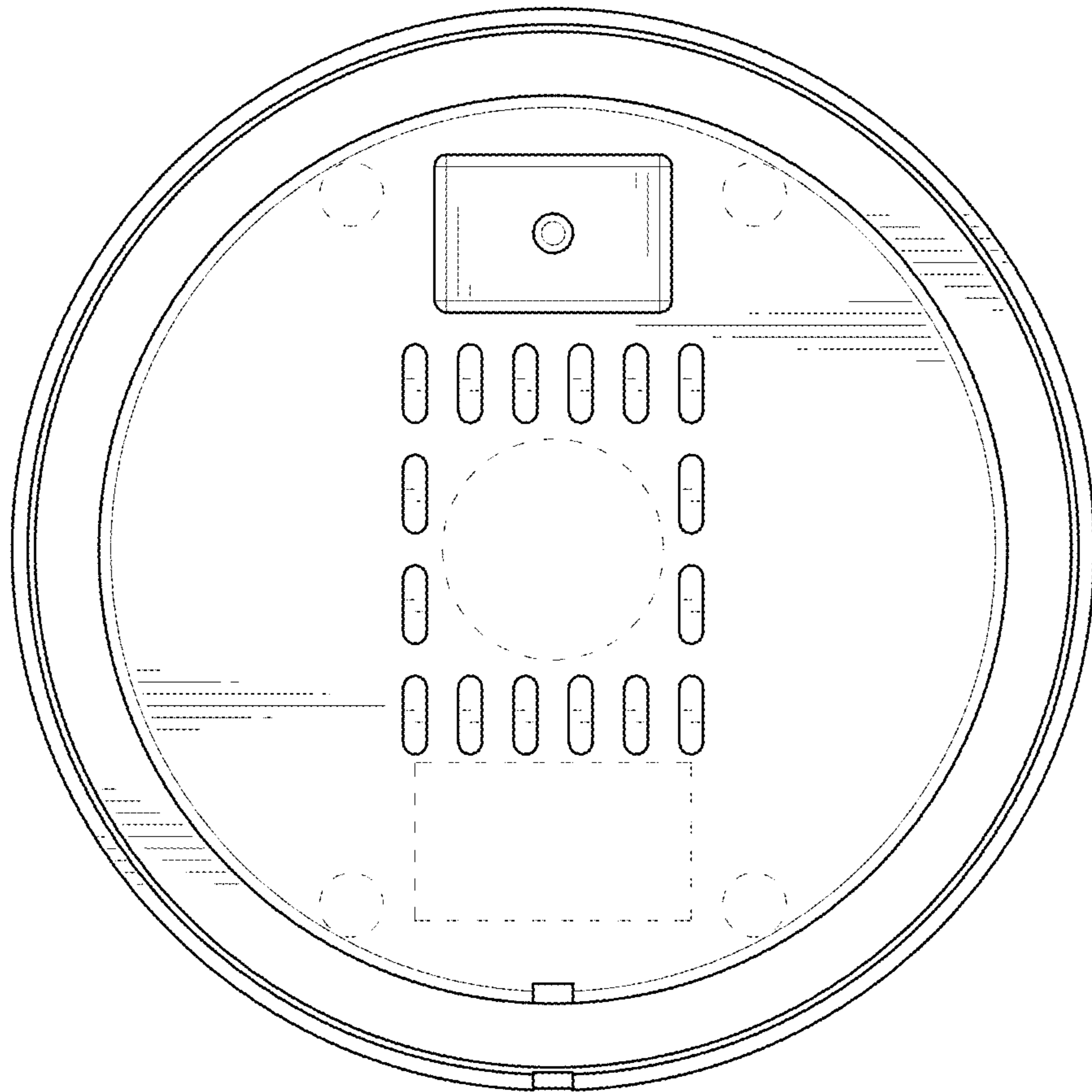


FIG.8

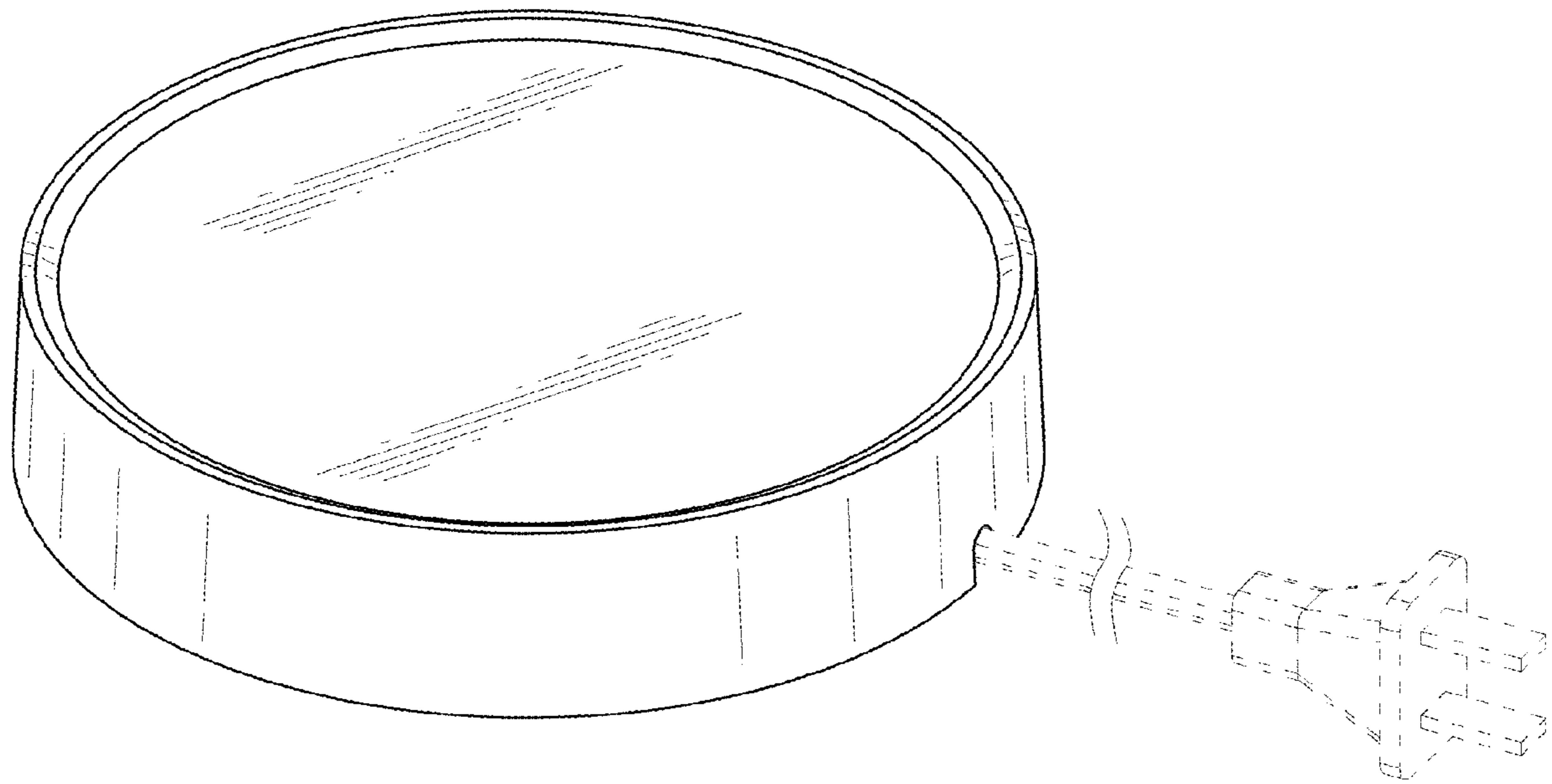


FIG.9