



US00D911188S

(12) **United States Design Patent** (10) **Patent No.:** **US D911,188 S**  
**Aboabdo** (45) **Date of Patent:** **\*\* Feb. 23, 2021**

(54) **DISPENSING BOTTLE**  
(71) Applicant: **Eyad Aboabdo**, Fullerton, CA (US)  
(72) Inventor: **Eyad Aboabdo**, Fullerton, CA (US)  
(73) Assignee: **Chubby Gorilla, Inc.**, Fullerton, CA (US)  
(\*\*) Term: **15 Years**

*Primary Examiner* — Janice Patyk  
(74) *Attorney, Agent, or Firm* — Knobbe Martens Olson & Bear, LLP

(21) Appl. No.: **29/660,584**  
(22) Filed: **Aug. 21, 2018**

**Related U.S. Application Data**

(63) Continuation of application No. 29/584,247, filed on Nov. 13, 2016, now Pat. No. Des. 826,068.  
(51) **LOC (13) Cl.** ..... **09-03**  
(52) **U.S. Cl.**  
USPC ..... **D9/724**  
(58) **Field of Classification Search**  
USPC ..... D9/516, 529, 549, 550, 556, 558, 571, D9/723-727; D24/100, 108, 115; D28/4,  
(Continued)

(57) **CLAIM**

The ornamental design for a dispensing bottle, as shown and described.

**DESCRIPTION**

FIG. 1 is a perspective view of a first embodiment, of a dispensing bottle, according to the present invention.  
FIG. 2 is an elevation view thereof.  
FIG. 3 is a top plan view thereof.  
FIG. 4 is a bottom plan view thereof.  
FIG. 5 is an exploded view thereof.  
FIG. 6 is another exploded elevation view thereof.  
FIG. 7 is an elevation view of the outer cap thereof, shown without the bottle for ease of illustration.  
FIG. 8 is a top plan view of the outer cap thereof, shown without the bottle for ease of illustration.  
FIG. 9 is a bottom plan view of the outer cap thereof, shown without the bottle for ease of illustration.  
FIG. 10 is an elevation view of the inner cap thereof, shown without the bottle for ease of illustration.  
FIG. 11 is a top plan view of the inner cap thereof, shown without the bottle for ease of illustration.  
FIG. 12 is a bottom plan view of the inner cap thereof, shown without the bottle for ease of illustration.  
FIG. 13 is a perspective view of a second embodiment, of a dispensing bottle, according to the present invention.  
FIG. 14 is an elevation view thereof.  
FIG. 15 is a top plan view thereof.  
FIG. 16 is a bottom plan view thereof.  
FIG. 17 is an exploded elevation view thereof.  
FIG. 18 is another exploded elevation view thereof.  
FIG. 19 is an elevation view of the outer cap thereof, shown without the bottle for ease of illustration.  
FIG. 20 is a top plan view of the outer cap thereof, shown without the bottle for ease of illustration.

(56) **References Cited**  
U.S. PATENT DOCUMENTS  
D199,545 S 11/1964 Torongo et al.  
3,398,848 A 8/1968 Donovan  
(Continued)

FOREIGN PATENT DOCUMENTS  
JP 1362412 6/2009  
JP 1429123 12/2011  
(Continued)

OTHER PUBLICATIONS  
Huizhu Dropper Bottles, dated as announced Feb. 8, 2017, [online], dated as site visited Sep. 3, 2020. Available from Internet, URL: <http://www.amazon.com> (dated as Year: 2017).  
(Continued)

(Continued)

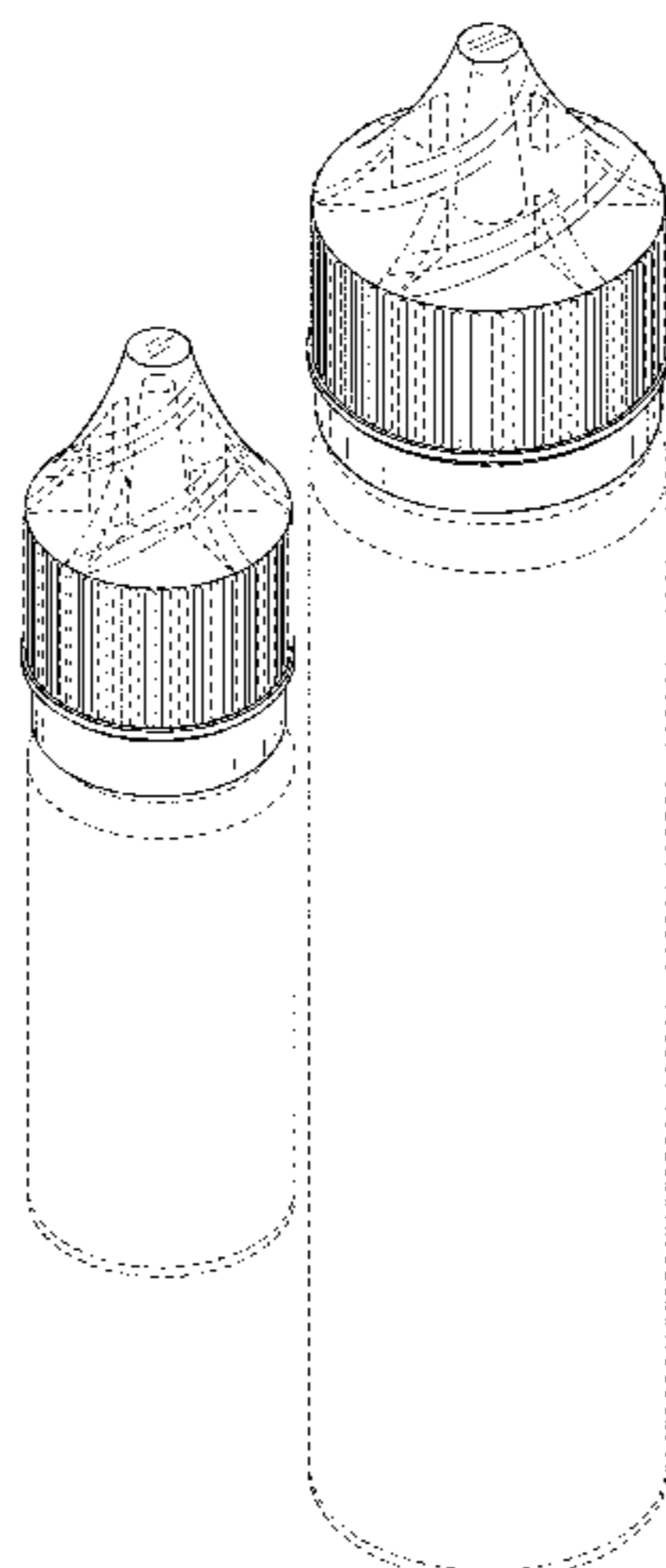


FIG. 21 is a bottom plan view of the outer cap thereof, shown without the bottle for ease of illustration.

FIG. 22 is an elevation view of the inner cap thereof, shown without the bottle for ease of illustration.

FIG. 23 is a top plan view of the inner cap thereof, shown without the bottle for ease of illustration; and,

FIG. 24 is a bottom plan view of the inner cap thereof, shown without the bottle for ease of illustration.

The broken lines in the figures illustrate the portions of the designs that form no part of the claimed design.

The broken lines of FIGS. 6 and 18 are included to show the relationship of the bottle, outer cap, and inner cap only, and form no part of the claimed design.

**1 Claim, 10 Drawing Sheets**

(58) **Field of Classification Search**

USPC ..... D28/7, 9, 73, 76, 85; 206/385, 438, 823;  
222/206, 212, 213, 215; 604/295;  
606/204.25  
CPC ..... A45D 34/04; A45D 34/042; A45D 40/00;  
A45D 40/26; A45D 40/262; B65D 1/023;  
B65D 47/18; B65D 41/02; B65D 2203/00  
See application file for complete search history.

(56) **References Cited**

U.S. PATENT DOCUMENTS

D221,132	S	7/1971	Schiavone	
D251,203	S	2/1979	Williamson	
D259,172	S	5/1981	Ross	
D264,938	S	6/1982	Stock	
D264,939	S	6/1982	Stock	
D264,940	S	6/1982	Stock	
D264,941	S	6/1982	Stock	
4,371,088	A	2/1983	Gach	
D277,736	S	2/1985	Long	
D279,080	S	6/1985	Negishi	
D280,492	S	9/1985	Greaves	
4,632,264	A	12/1986	Evans	
4,635,806	A	1/1987	Williamson	
4,705,181	A	11/1987	Burke et al.	
D310,969	S	10/1990	Butler	
5,020,681	A	6/1991	Kusz	
5,052,558	A *	10/1991	Carter	B65B 55/02 206/439
5,115,928	A	5/1992	Drummond, Jr.	
5,263,615	A *	11/1993	Anderson	B65D 1/0223 222/212
5,314,085	A	5/1994	Collado Bonet	
5,324,481	A	6/1994	Dunn	
D354,914	S	1/1995	Newman	
D356,597	S	3/1995	Gray	
D357,865	S	5/1995	Hansen	
D362,623	S	9/1995	Ma	
5,462,200	A	10/1995	Weiler	
D368,425	S	4/1996	Newell	
5,543,115	A	8/1996	Karakawa	
5,676,268	A	10/1997	King	
D405,371	S	2/1999	Herr	
D411,109	S	6/1999	Suto	
D412,107	S	7/1999	Bosshardt	
D416,793	S	11/1999	Faughey	
6,202,869	B1	3/2001	Sullivan	
D451,396	S	12/2001	Johnson et al.	
6,334,557	B1 *	1/2002	Yang	B65D 47/123 222/420
D491,469	S	6/2004	Horie	
7,051,906	B2	5/2006	Kis	

D524,037	S	7/2006	Van Horn	
7,178,703	B2 *	2/2007	Spada	A61F 9/0008 222/209
D551,569	S	9/2007	Tanaka	
7,334,694	B2	2/2008	Suffa	
D564,357	S	3/2008	Kapoor et al.	
7,563,256	B2 *	7/2009	Hearne	A61F 9/0008 604/300
D597,417	S *	8/2009	Whittaker	D9/724
D601,908	S	10/2009	Yun	
D603,710	S	11/2009	Wilson	
D611,346	S	3/2010	Camomile	
7,677,417	B2 *	3/2010	Leiner	B65D 47/18 222/1
D651,921	S	1/2012	Probst	
D653,950	S	2/2012	Ishizawa	
8,444,610	B2	5/2013	Grevin	
8,633,016	B2	1/2014	Parker	
8,673,242	B2	3/2014	Shick	
D704,052	S	5/2014	Yoshii	
D705,070	S *	5/2014	Zheng	D9/523
D732,400	S	6/2015	Hua	
D732,506	S	6/2015	Hua	
D732,975	S	6/2015	Hua	
9,045,265	B2	6/2015	Adamczak	
D742,019	S *	10/2015	Montgomery	D24/197
D768,506	S	10/2016	Hua	
D826,068	S	8/2018	Aboabdo	
D834,950	S	12/2018	Aboabdo	
D855,476	S	8/2019	Aboabdo	
D860,004	S	9/2019	Aboabdo	
2003/0211616	A1	11/2003	Leong	
2004/0182814	A1 *	9/2004	Suffa	B65D 50/046 215/216
2005/0159715	A1 *	7/2005	Kusu	A61F 9/0008 604/295
2005/0211734	A1 *	9/2005	Spada	B65D 41/0428 222/420
2006/0111680	A1	5/2006	Spada	
2007/0042454	A1	2/2007	Nix	
2010/0167271	A1	7/2010	Ryan	
2011/0281342	A1	11/2011	Porsch et al.	
2017/0057710	A1	3/2017	Greiner-Perth et al.	

FOREIGN PATENT DOCUMENTS

TW	D113730	11/2006
TW	D148448	8/2012

OTHER PUBLICATIONS

Specimen filed Jul. 3, 2016 in U.S. Trademark Application No. 87/092186.  
Chubby Gorilla, <https://chubbygorilla.com/> dated as available on Jul. 3, 2016 by the Wayback Machine accessed on May 11, 2020. Cycles Of Use PET dropped Bottle Unicorn Dropper bottle, posted at amazon.com, dated as posted Jun. 11, 2017, dated as © 1996-2017, Amazon.com [online], [dated as site visited Sep. 20, 2017], Available from Internet, URL:[https://www.amazon.com/dropper-Unicorn-Dropper-applicator-dispensor/dp/B071SGRSPX/ref=sr\\_1\\_18\\_sspa?le=UTF8&qid=1505927843&sr=8-18-spoons&keywords=chubby+gorilla+unic](https://www.amazon.com/dropper-Unicorn-Dropper-applicator-dispensor/dp/B071SGRSPX/ref=sr_1_18_sspa?le=UTF8&qid=1505927843&sr=8-18-spoons&keywords=chubby+gorilla+unic).  
Chubby Gorilla PET Bottles (3-Pack), posted at amazon.com, dated as posted Jan. 31, 2017, dated as ® 1996-2017, Amazon.com,[online], [dated as site visited Sep. 20, 2017]. Available from Internet, URL:[https://www.amazon.com/Chubby-Gorilla-Bottles-3-Pack-Transparent/dp/B071HCL64L/ref=pd\\_sbs\\_201\\_1?\\_encoding=UTF8&pd\\_rd\\_i=B071HCL64L&pd\\_rd\\_r=EE8F90ZD7DBOEXF5PEVVF&pd\\_rd\\_w=oITEN&pd\\_rd\\_wg=ko](https://www.amazon.com/Chubby-Gorilla-Bottles-3-Pack-Transparent/dp/B071HCL64L/ref=pd_sbs_201_1?_encoding=UTF8&pd_rd_i=B071HCL64L&pd_rd_r=EE8F90ZD7DBOEXF5PEVVF&pd_rd_w=oITEN&pd_rd_wg=ko).  
Chubby Gorilla Unicorn Bottles, dated as announced Sep. 30, 2016, [online], dated as site visited Sep. 3, 2020. Available from internet, URL: <http://www.amazon.com> (dated as Year: 2016).

\* cited by examiner

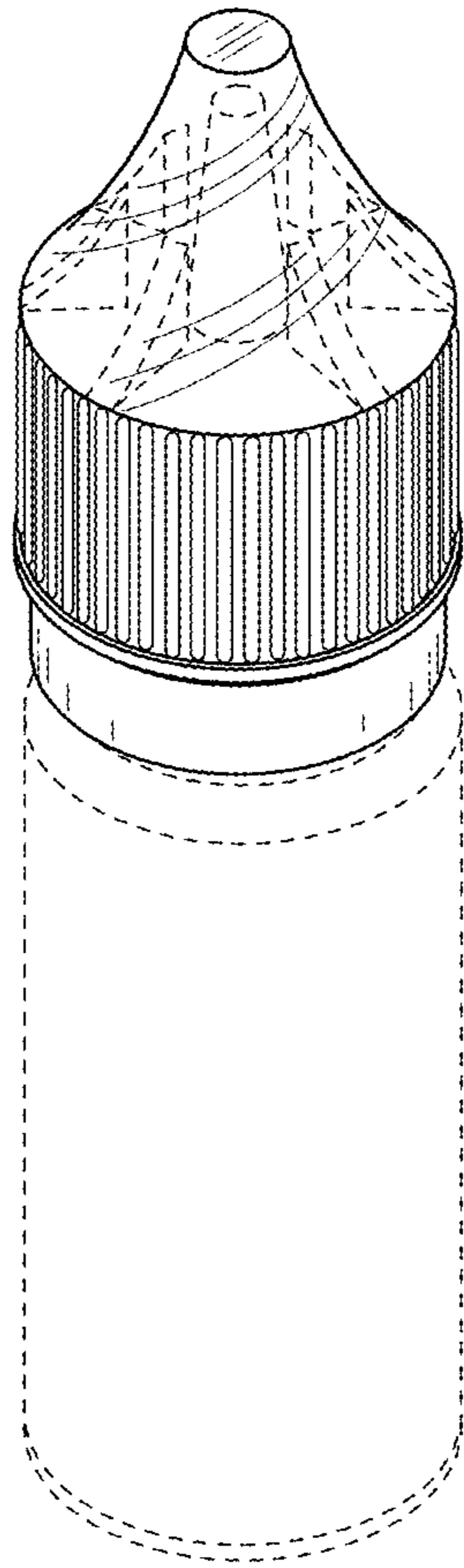


FIG. 1

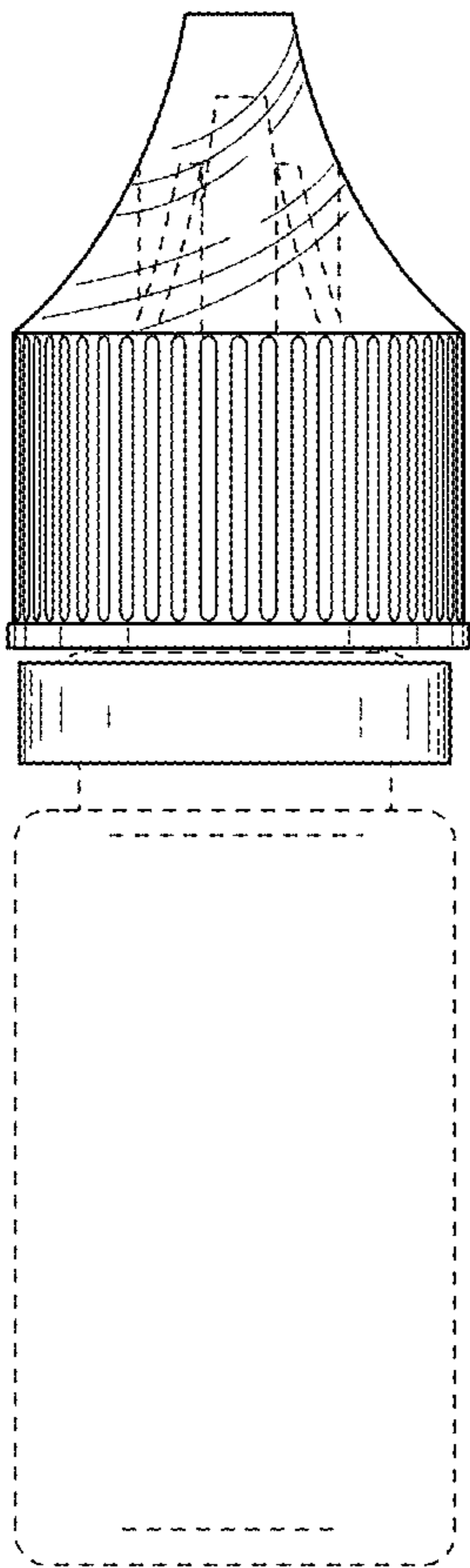


FIG. 2

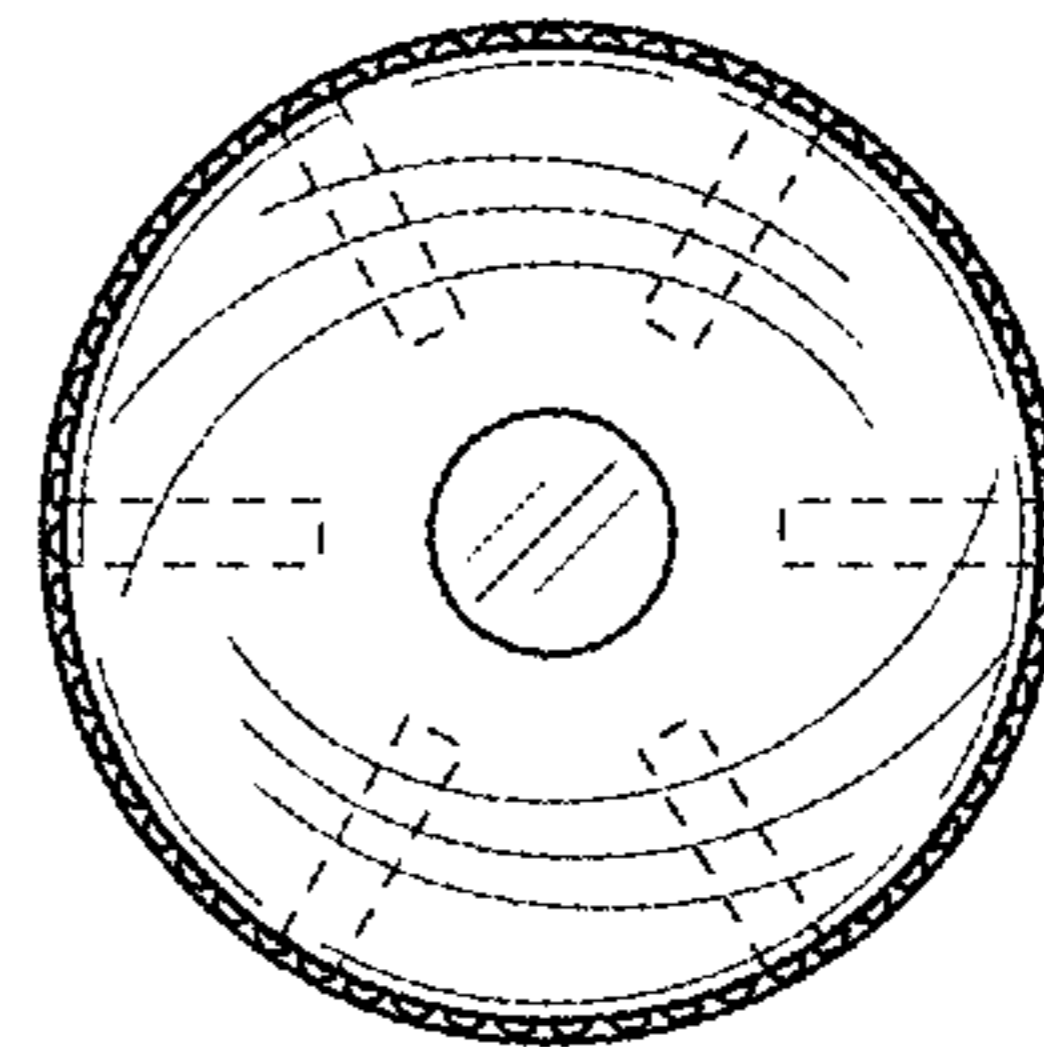


FIG. 3

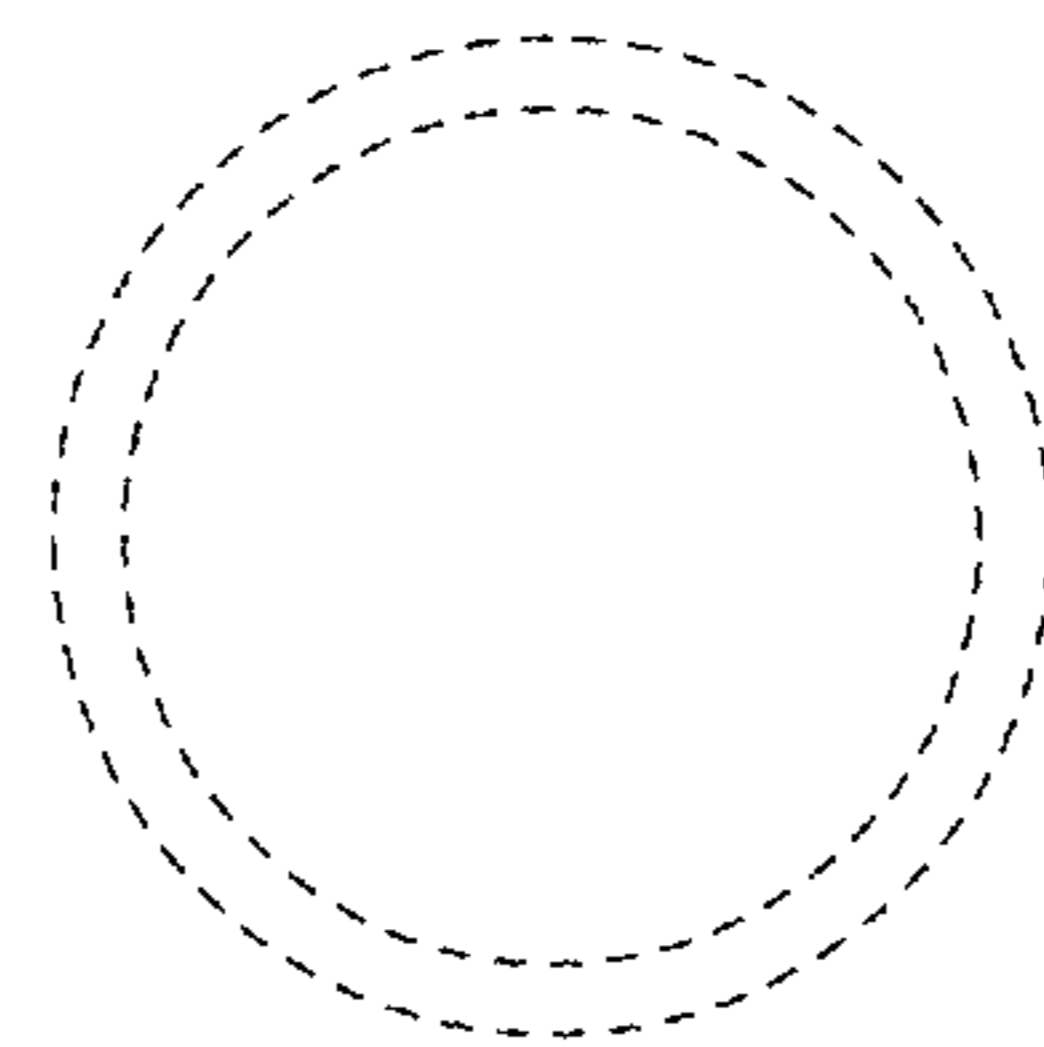


FIG. 4

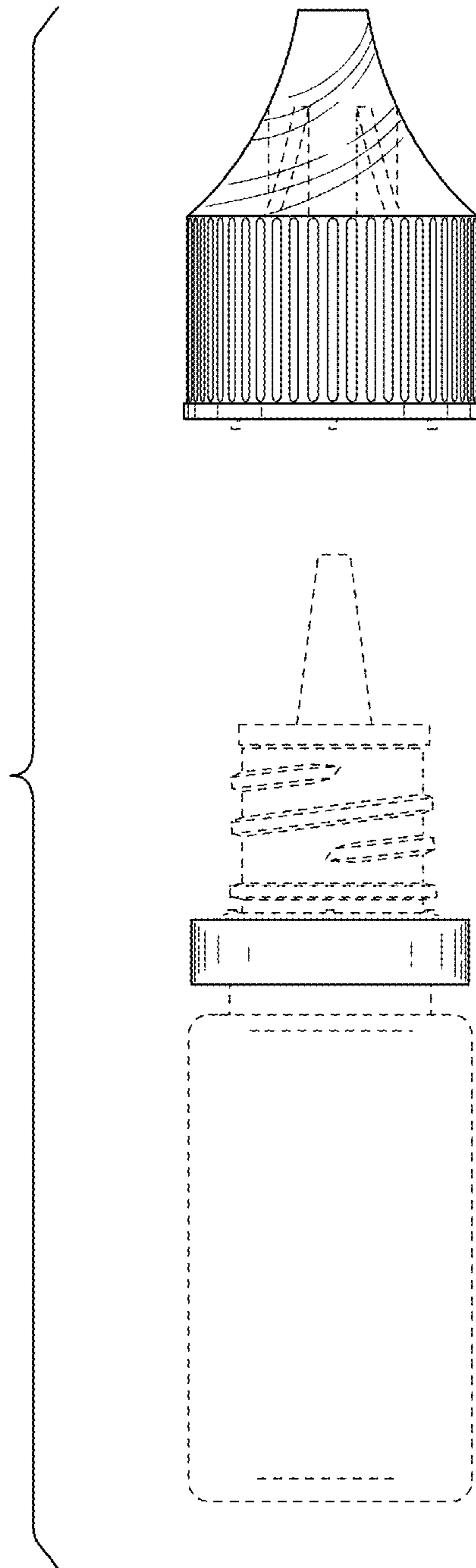


FIG. 5

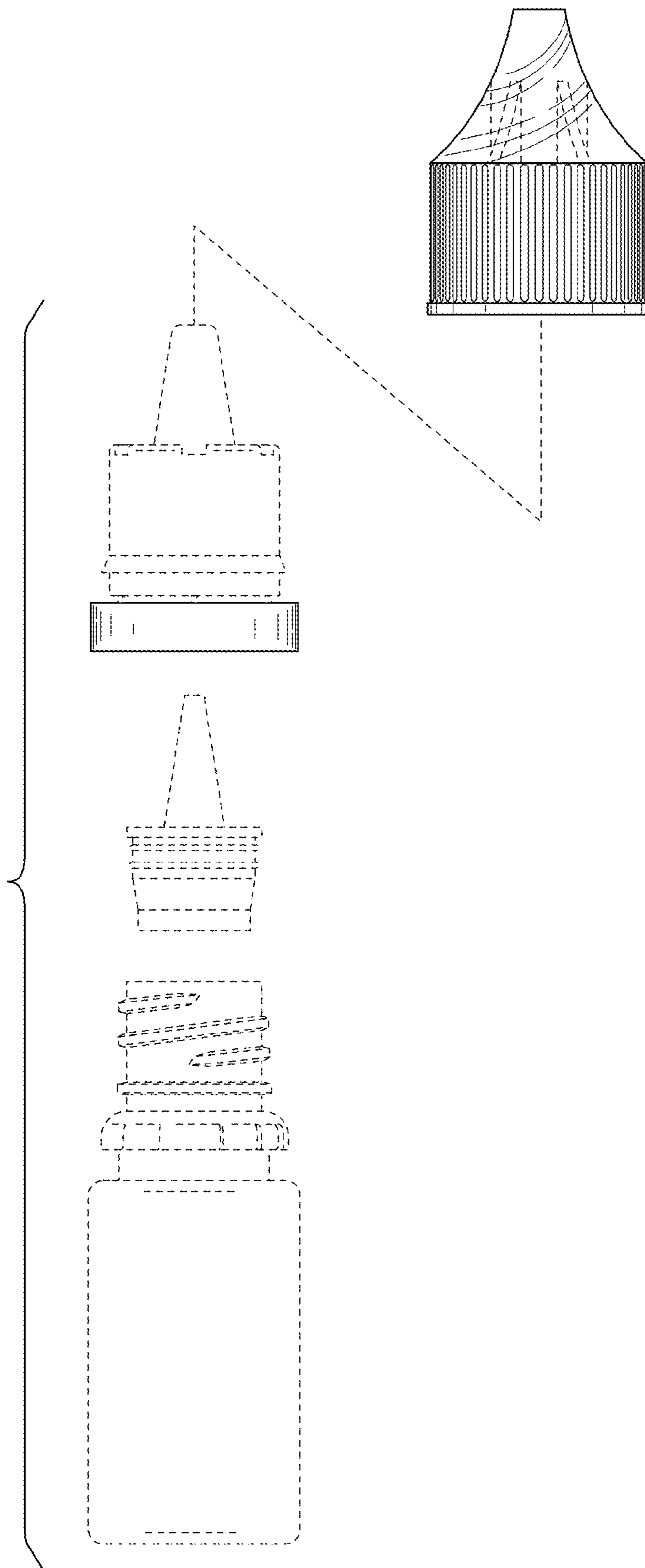


FIG. 6

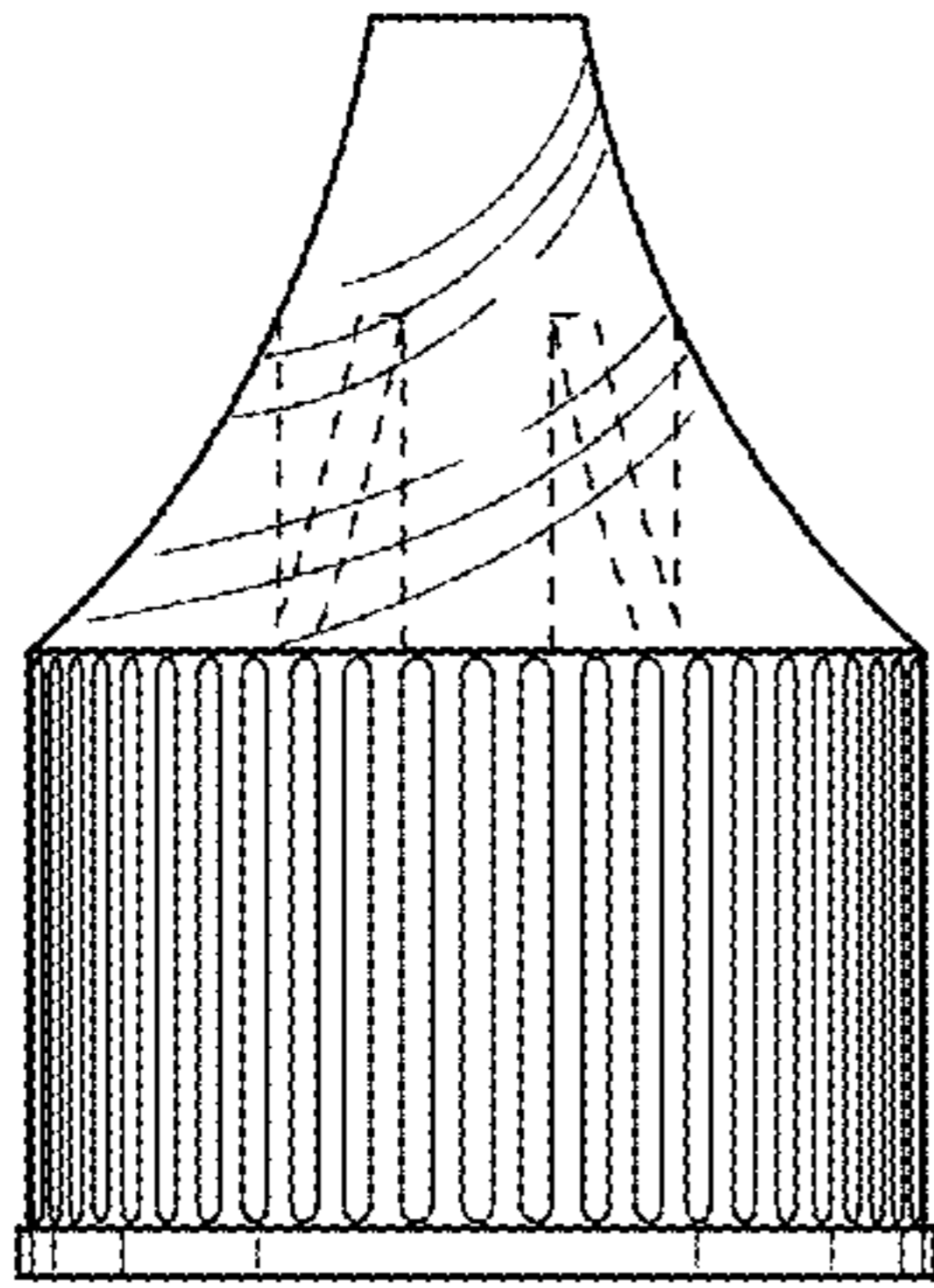


FIG. 7

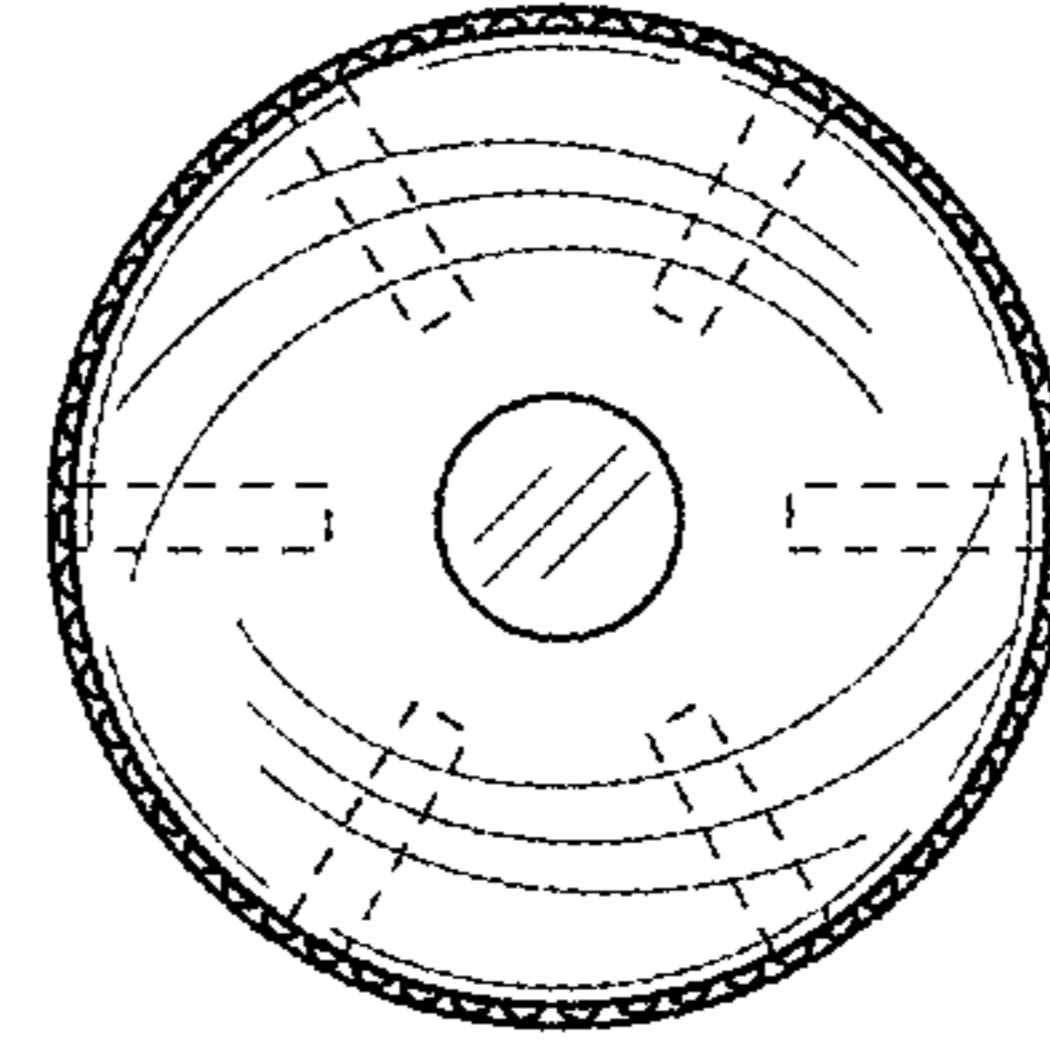


FIG. 8

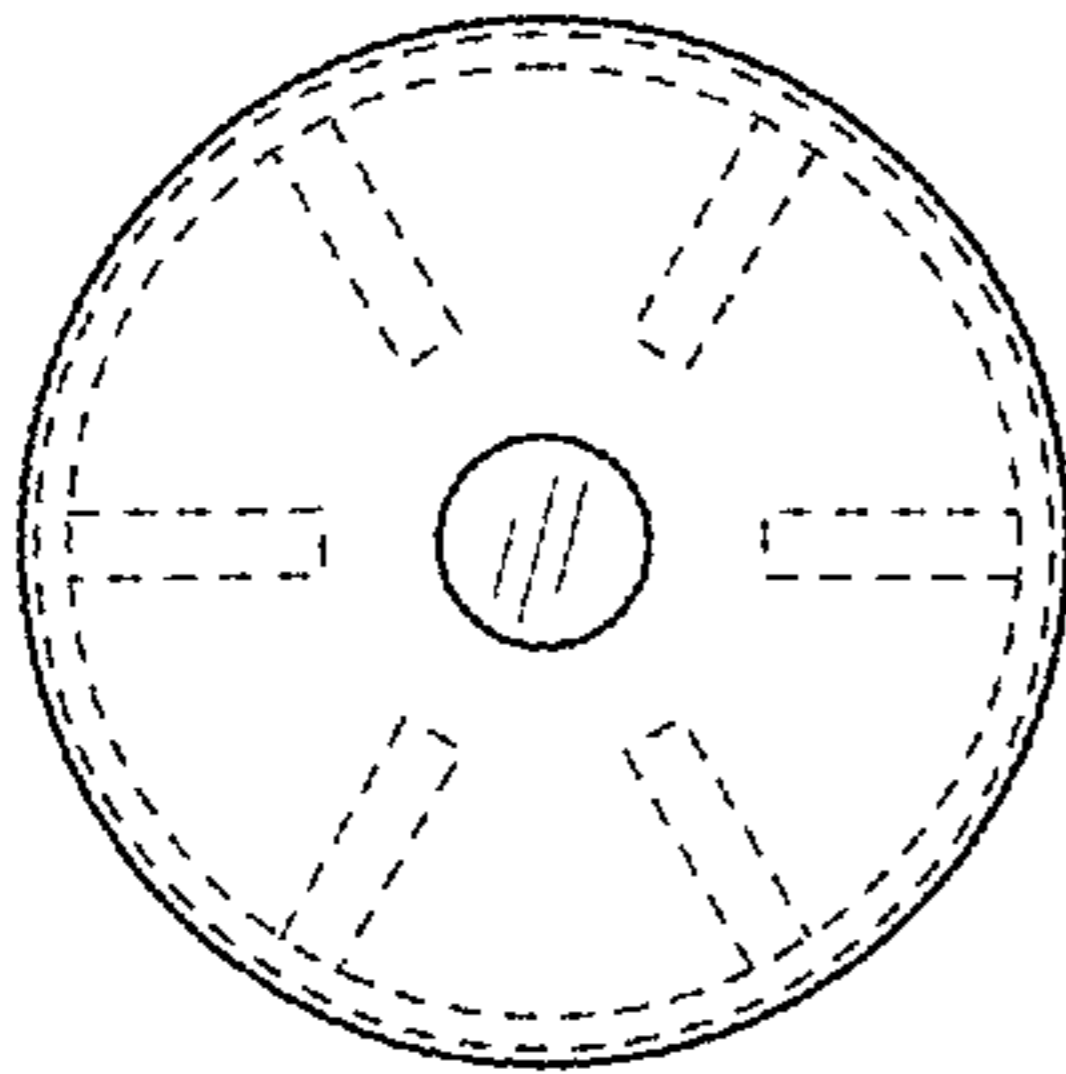


FIG. 9

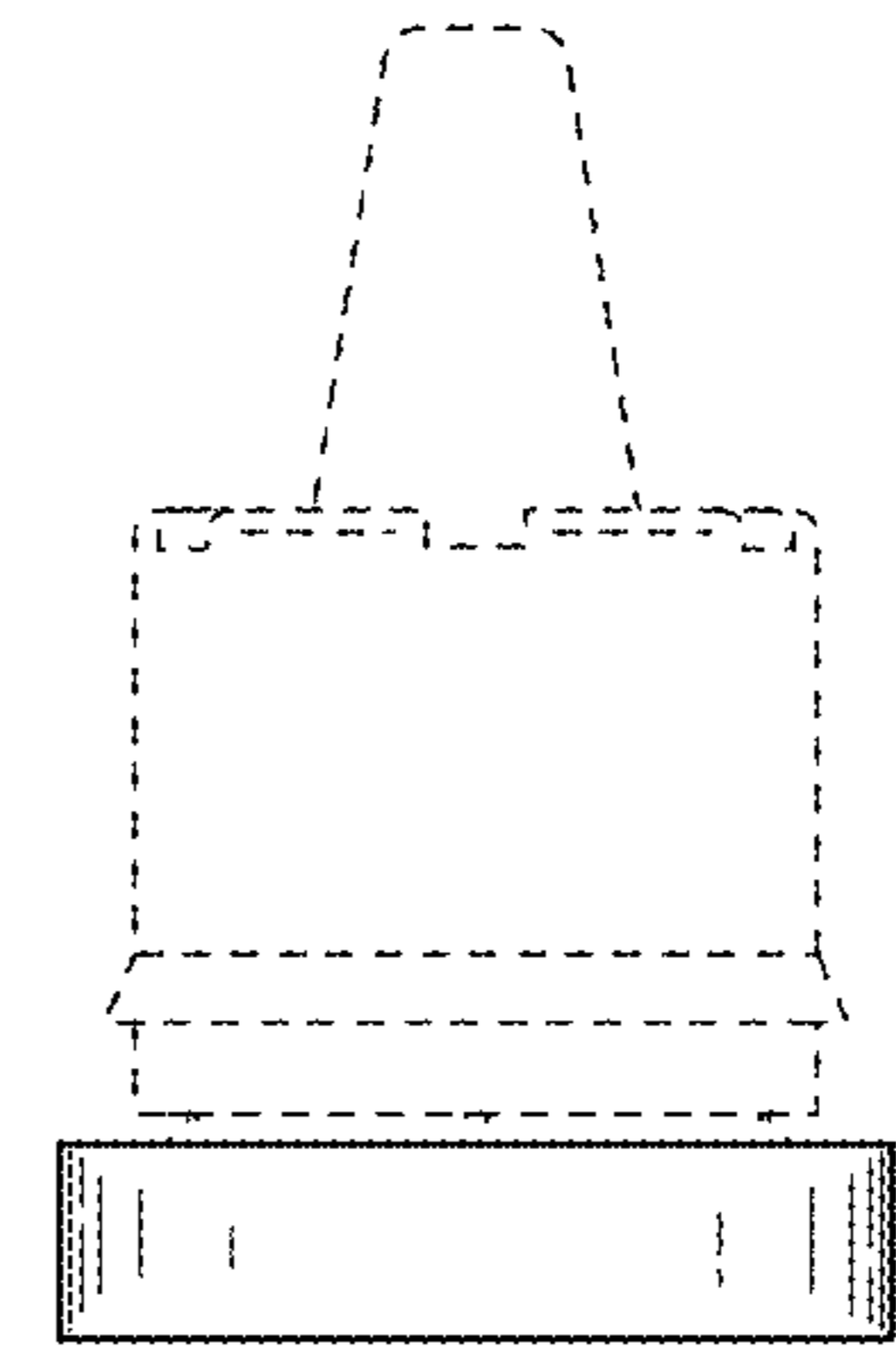


FIG. 10

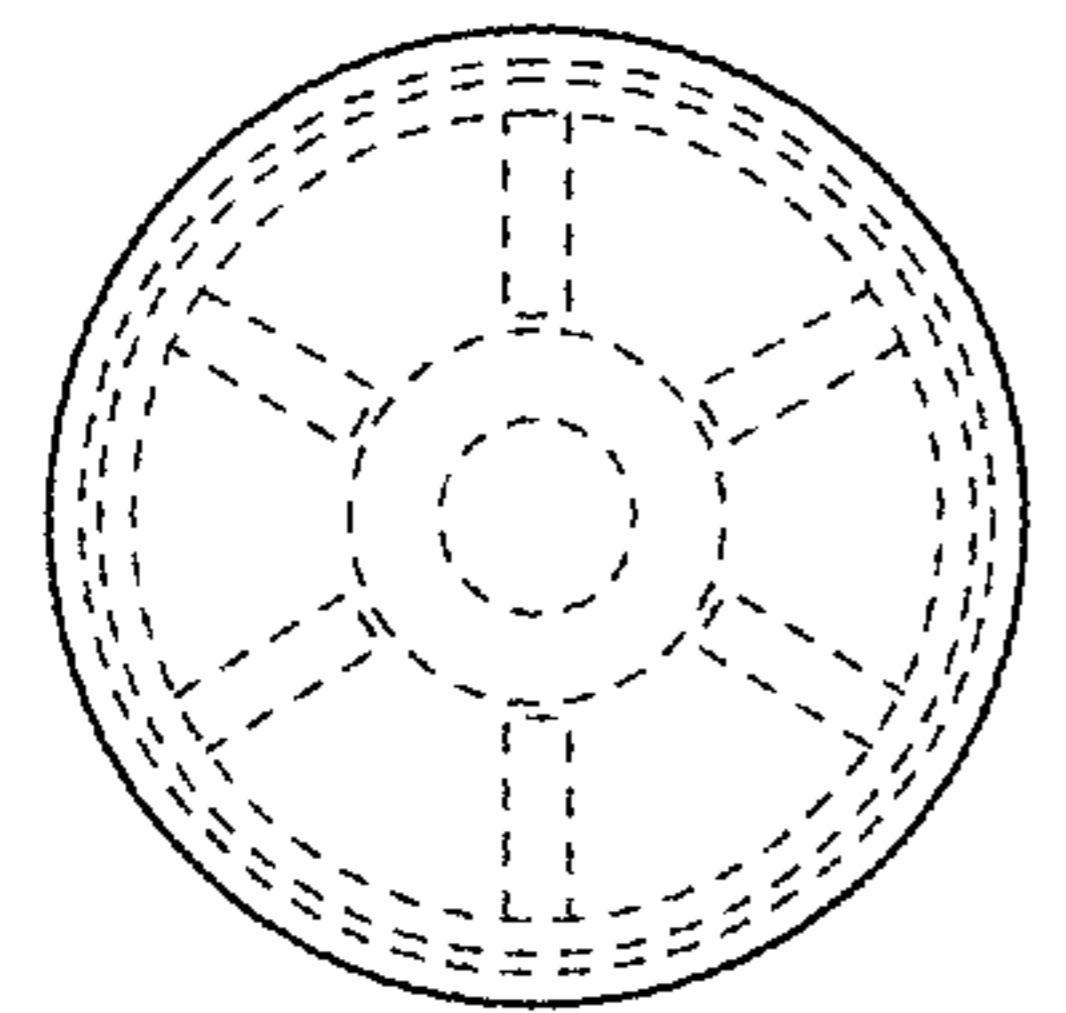


FIG. 11

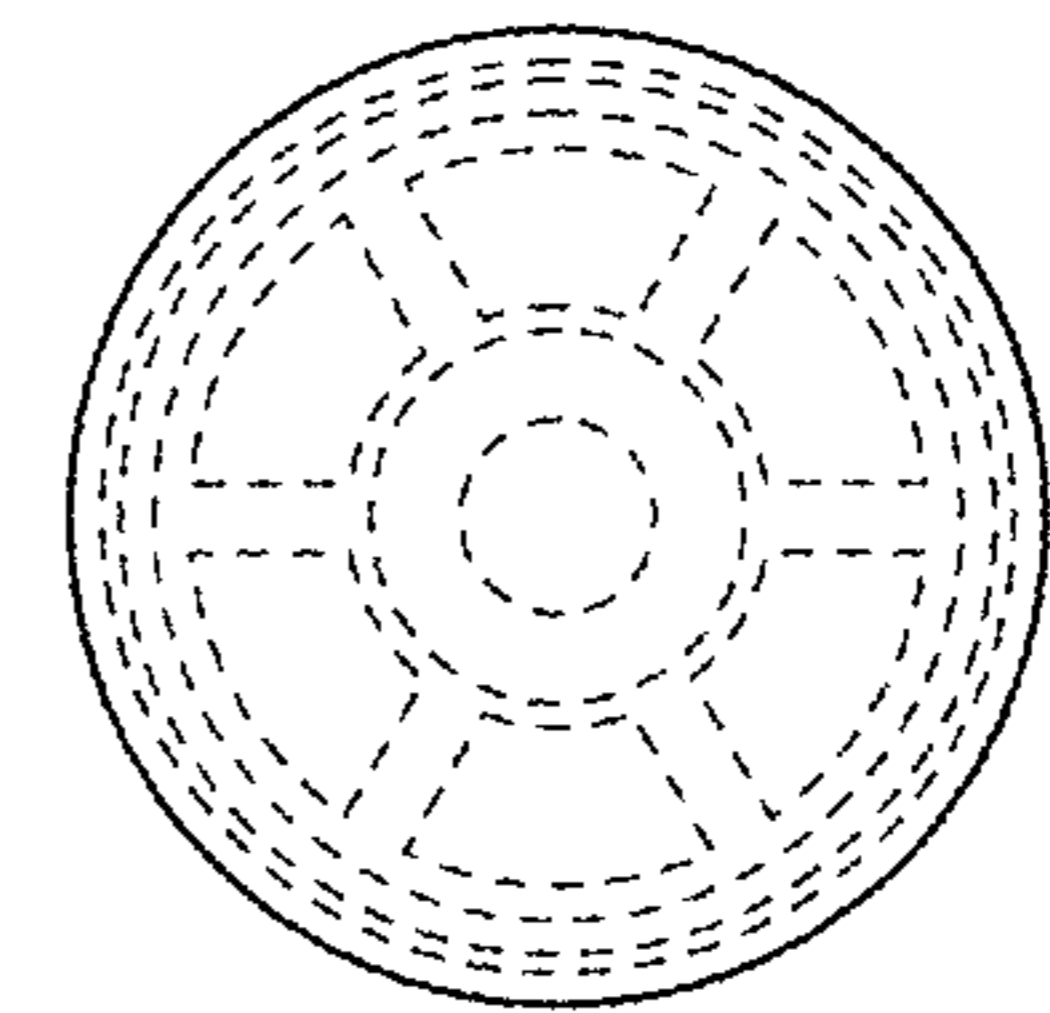


FIG. 12

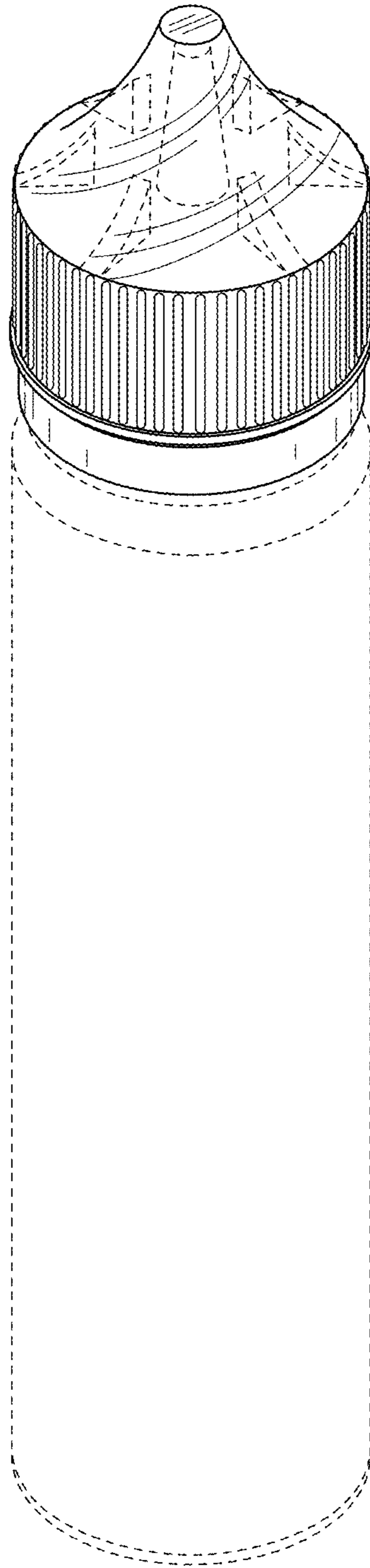


FIG. 13



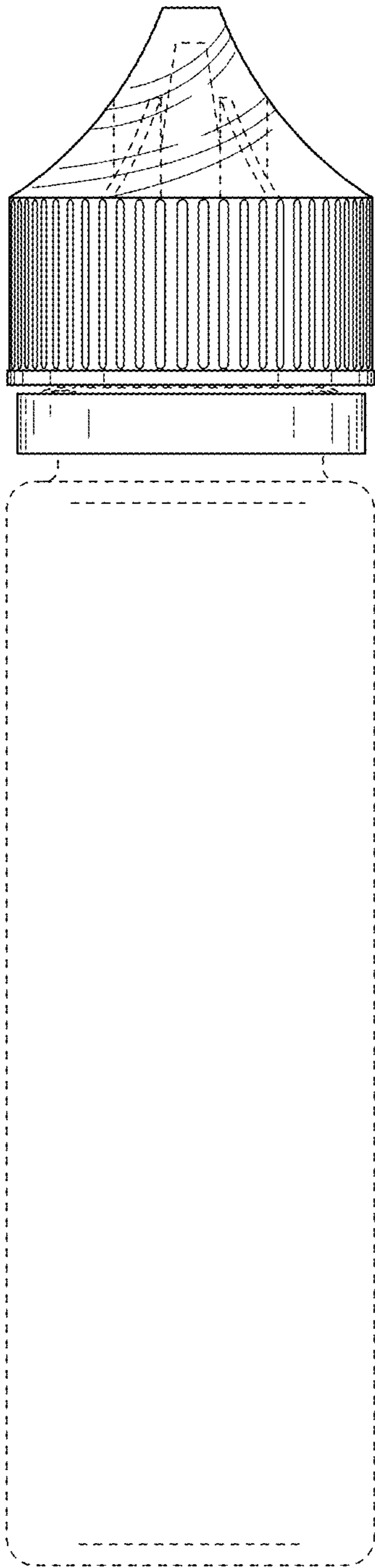


FIG. 14

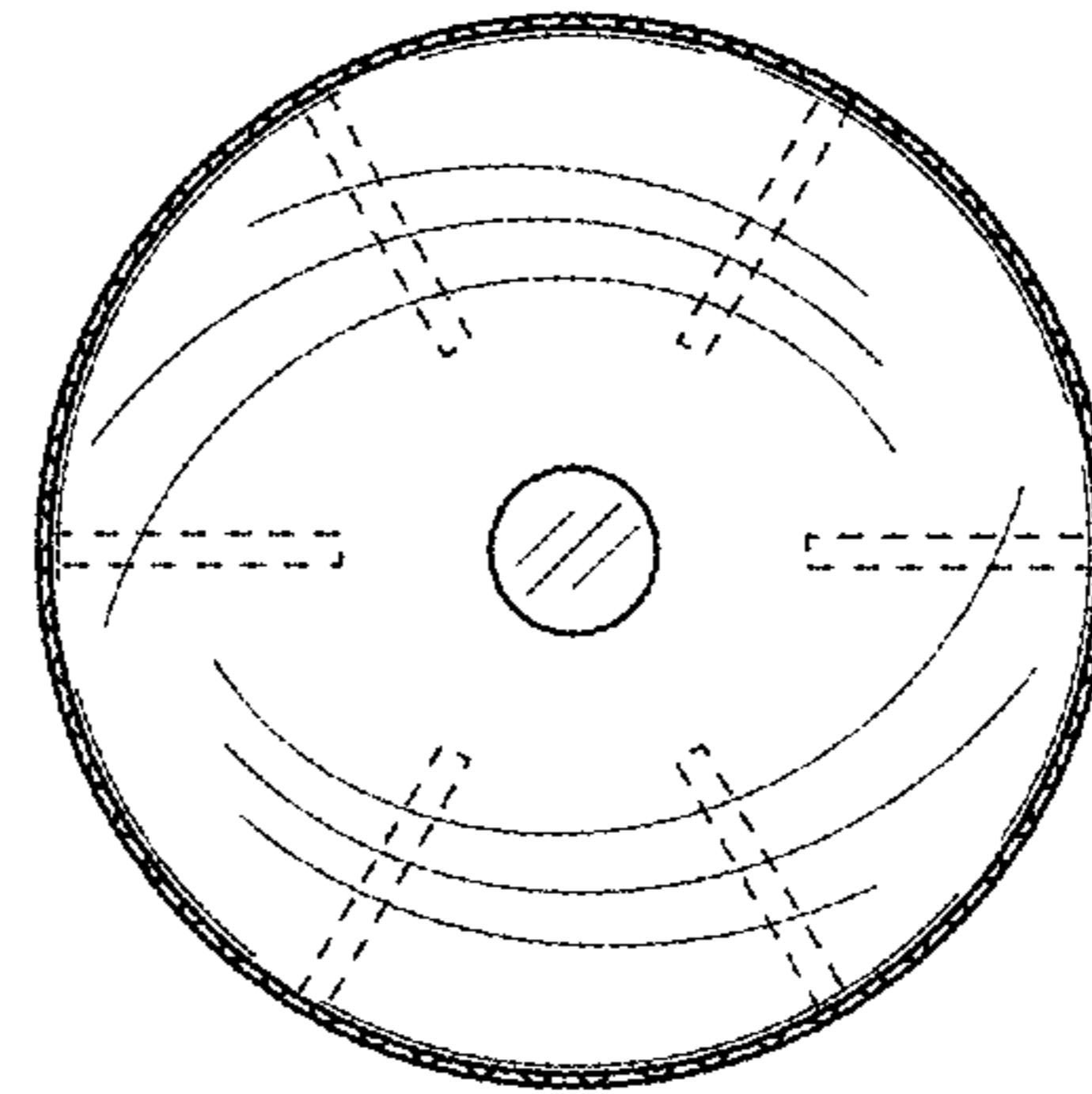


FIG. 15

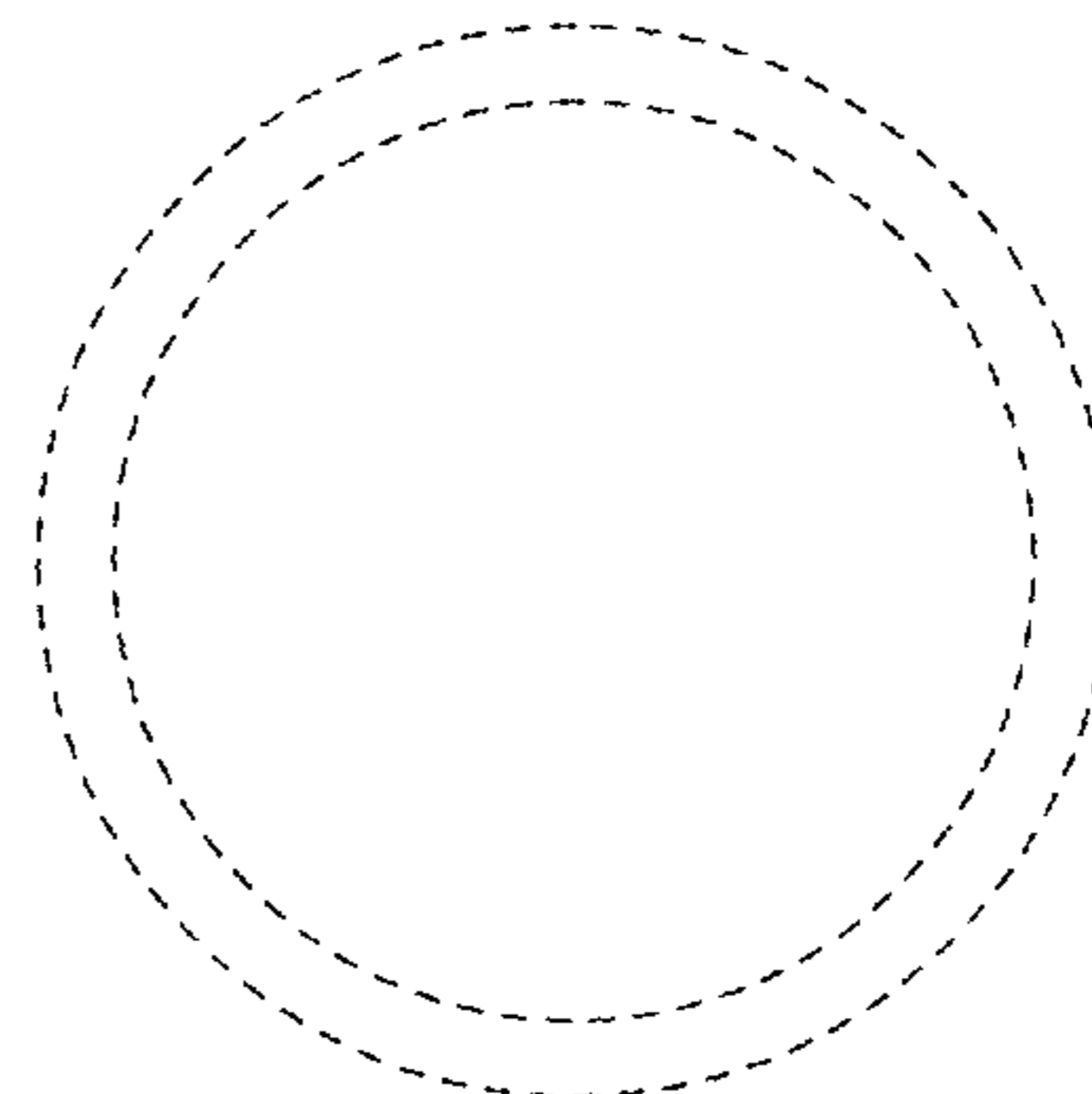


FIG. 16

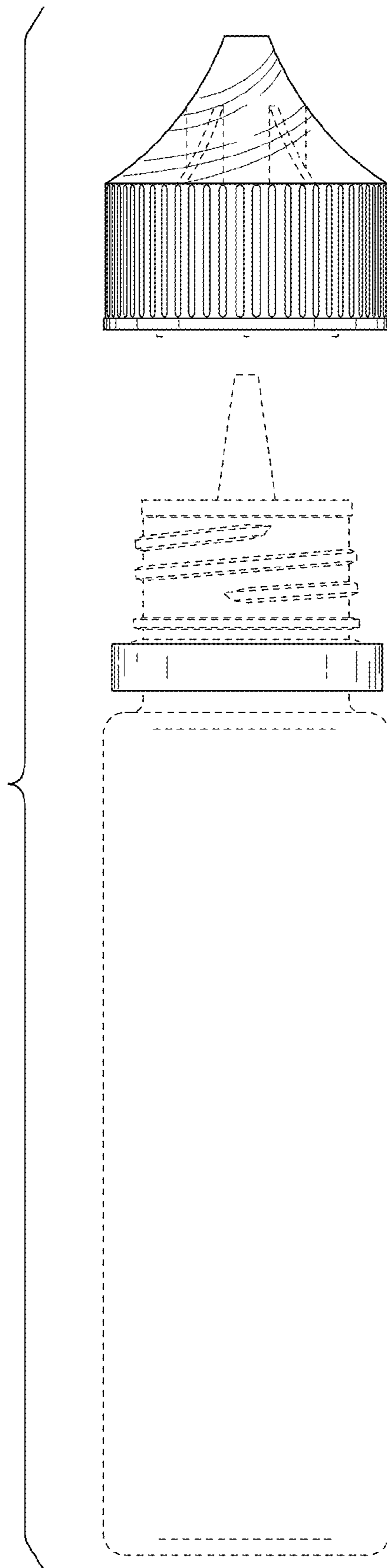


FIG. 17

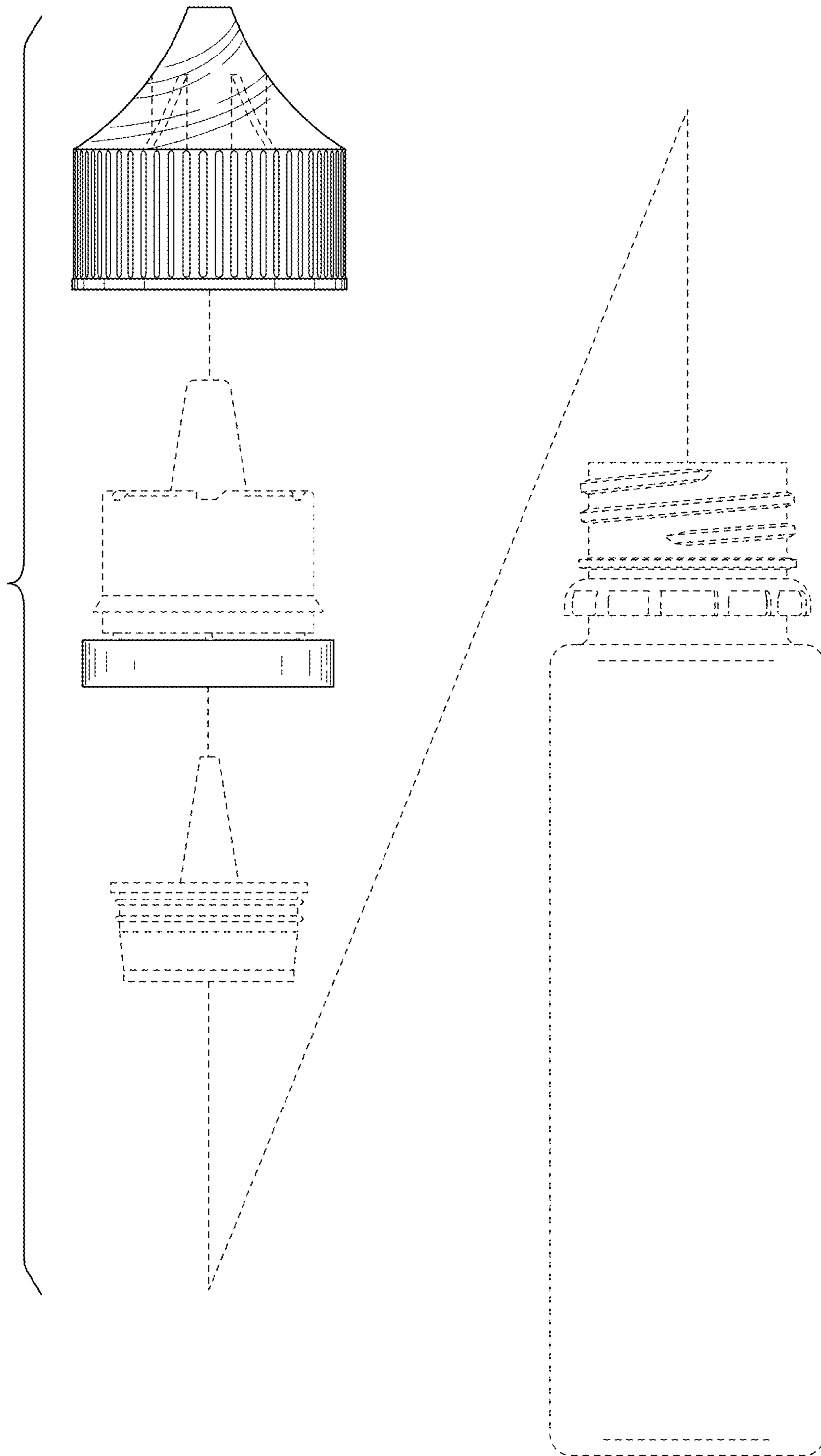


FIG. 18

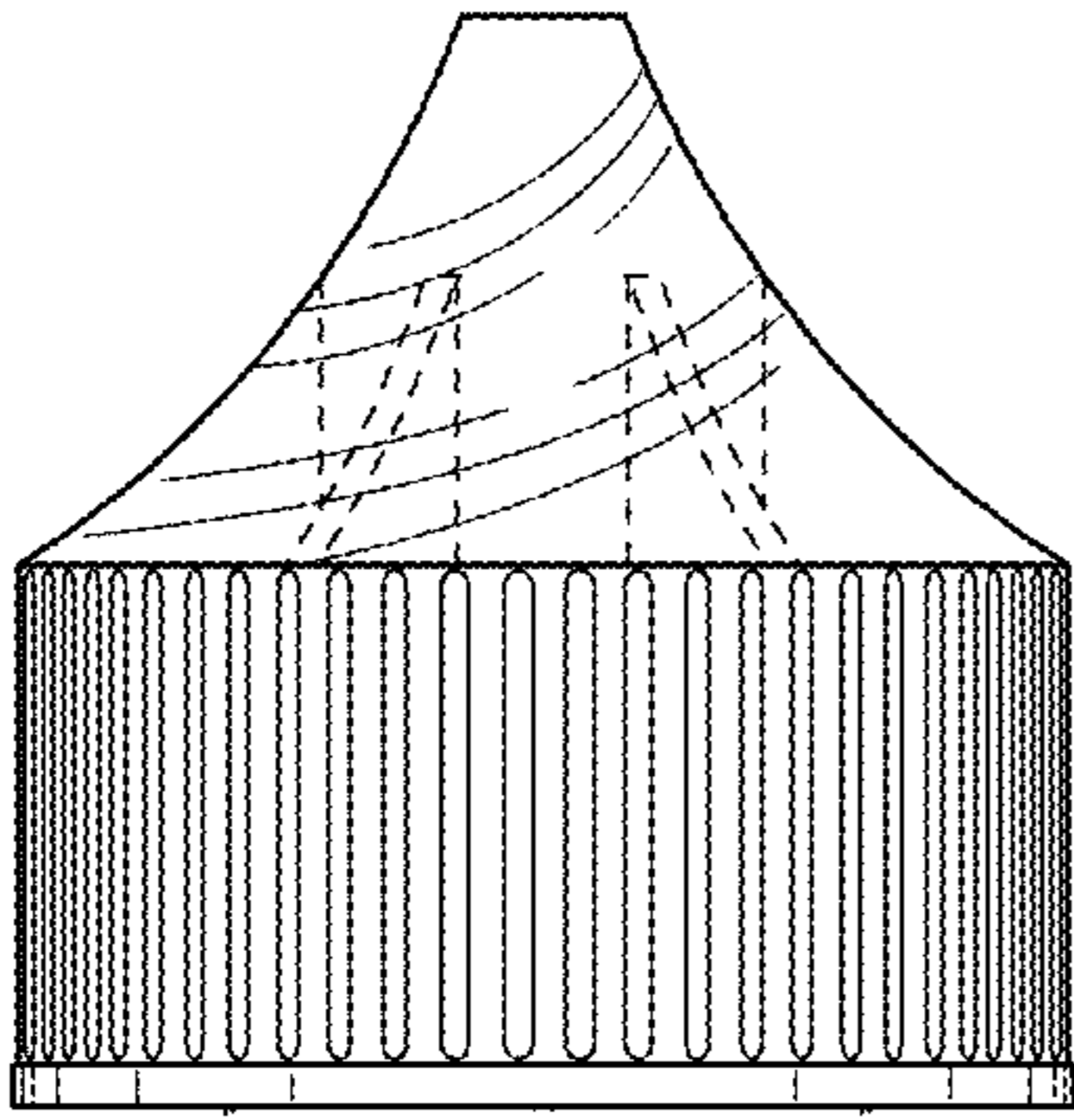


FIG. 19

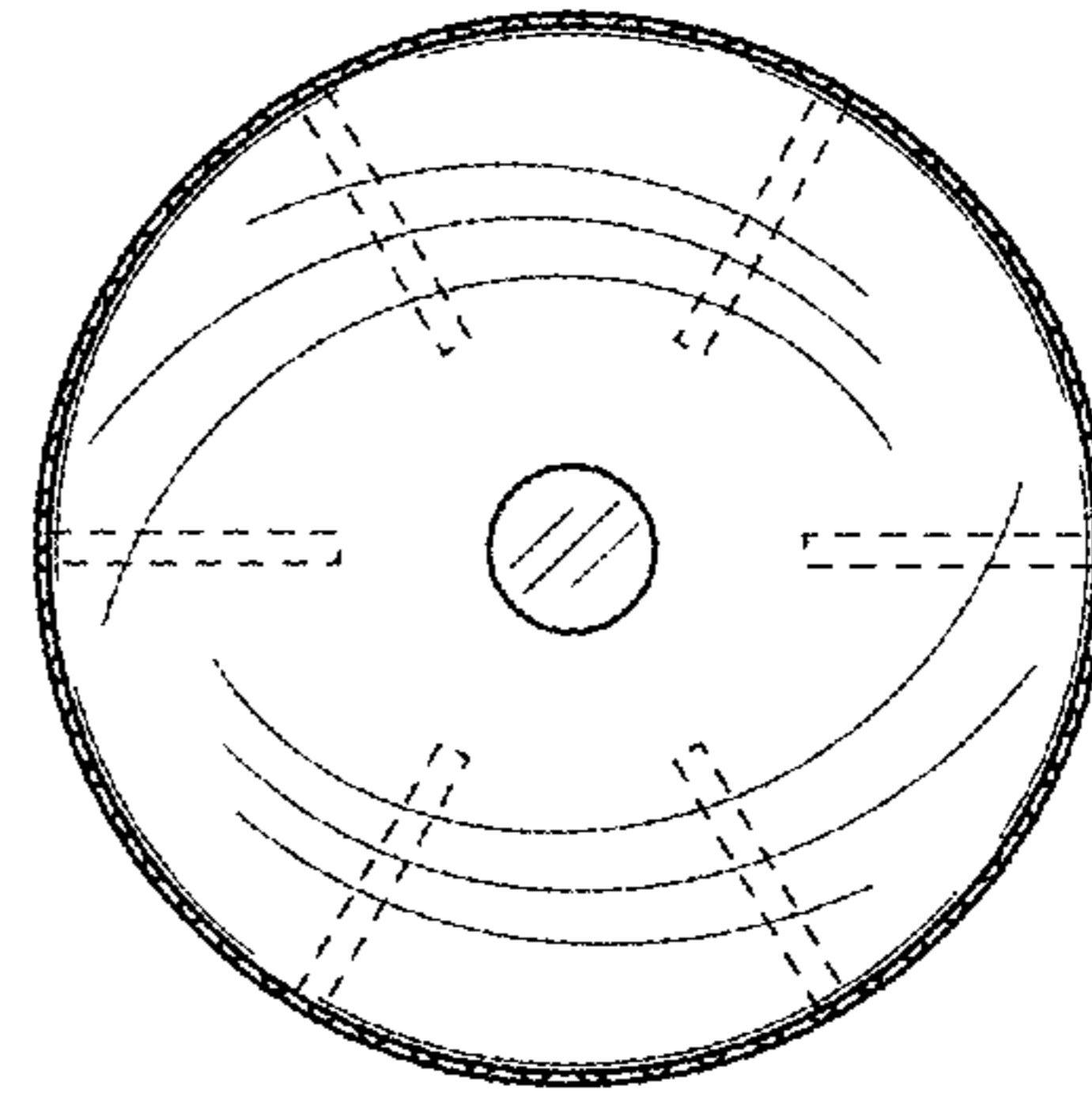


FIG. 20

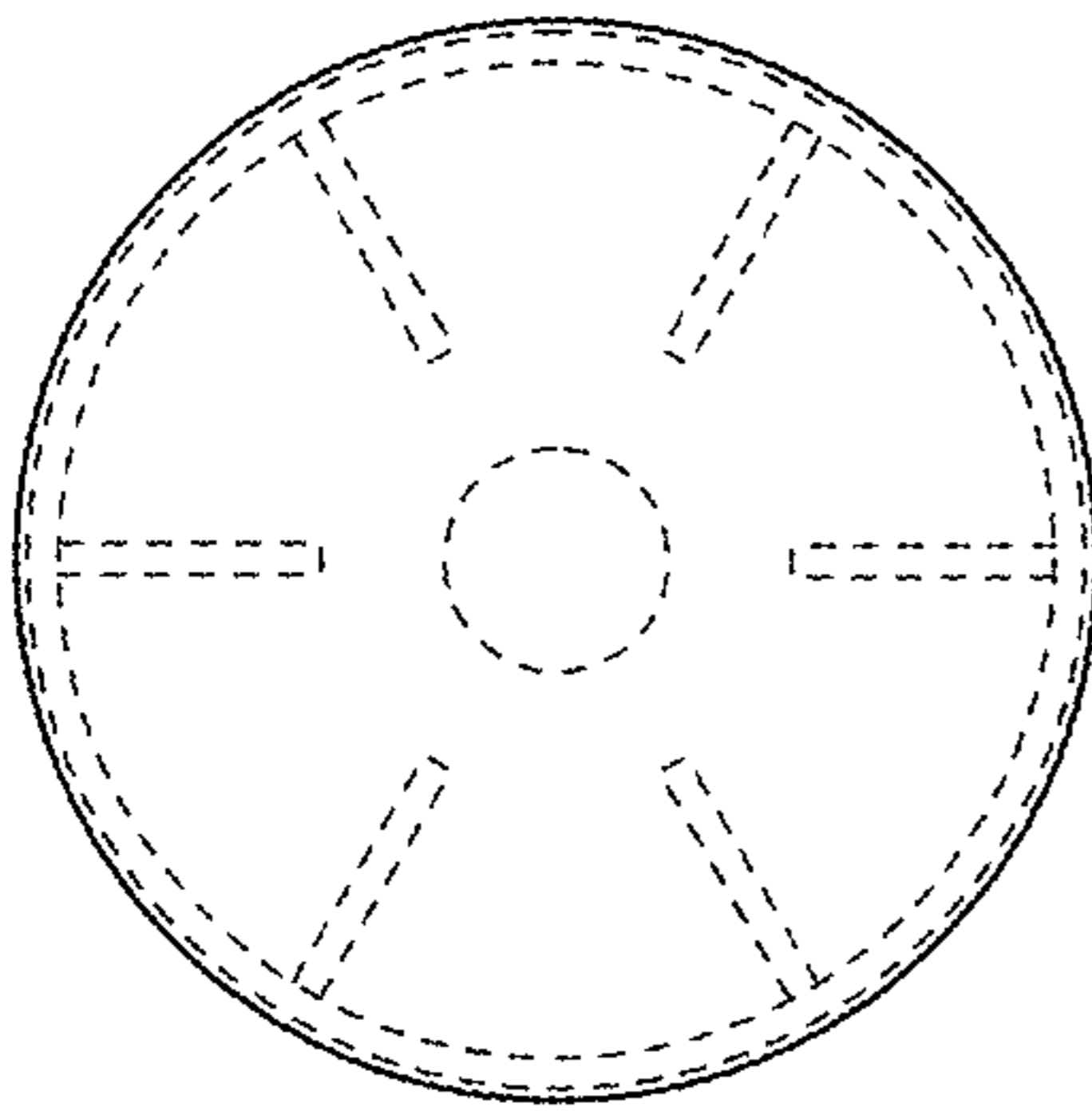


FIG. 21

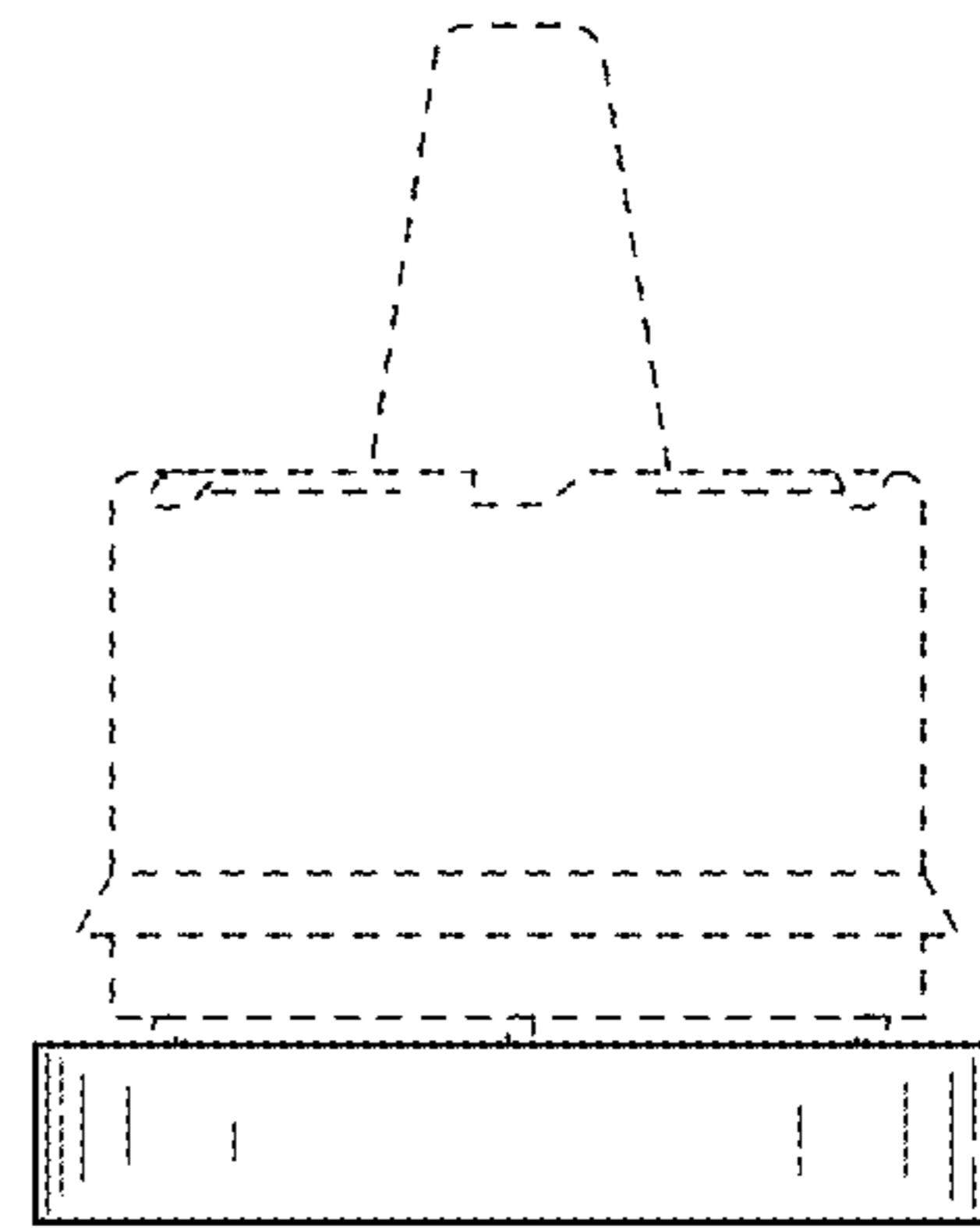


FIG. 22

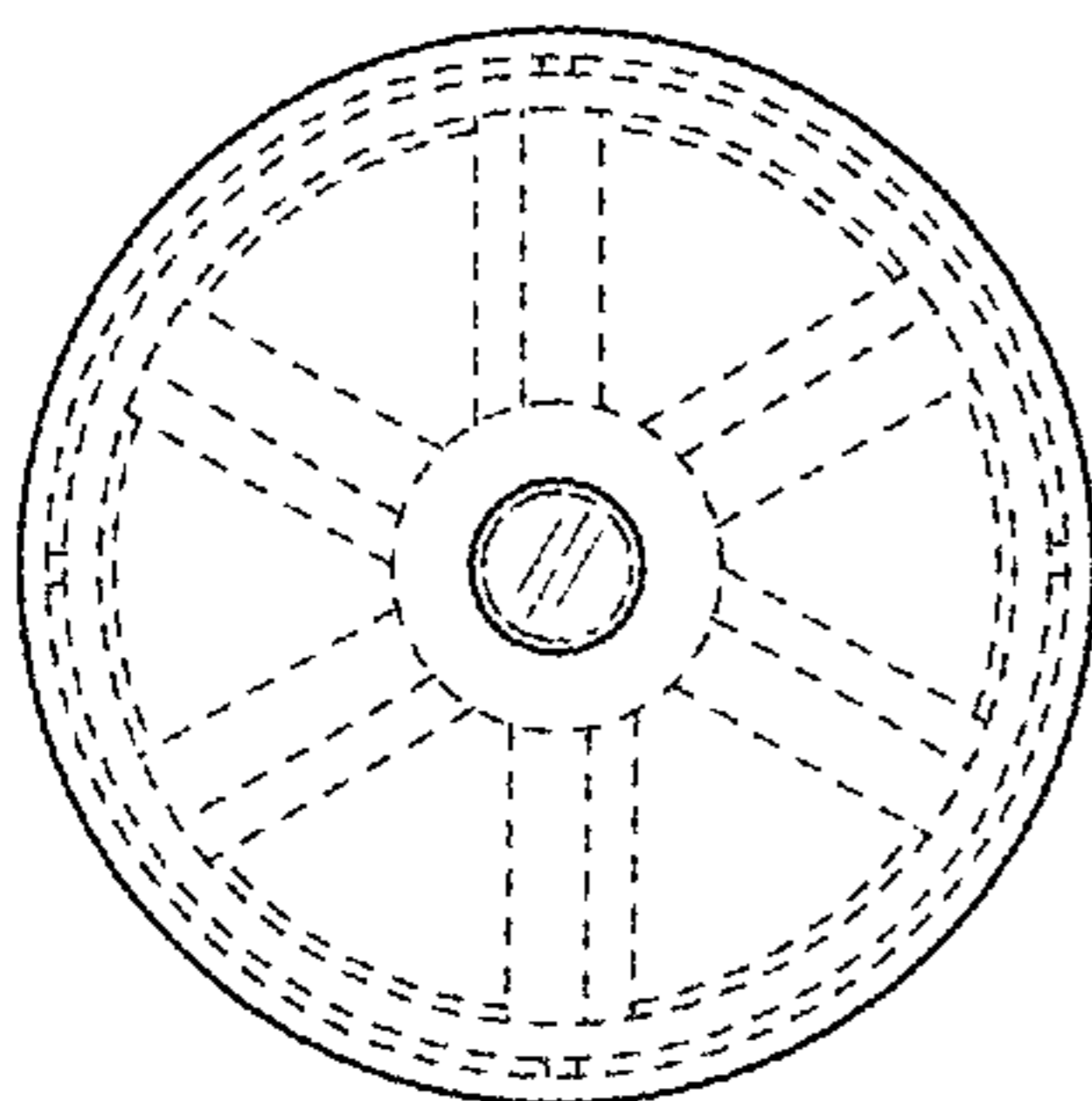


FIG. 23

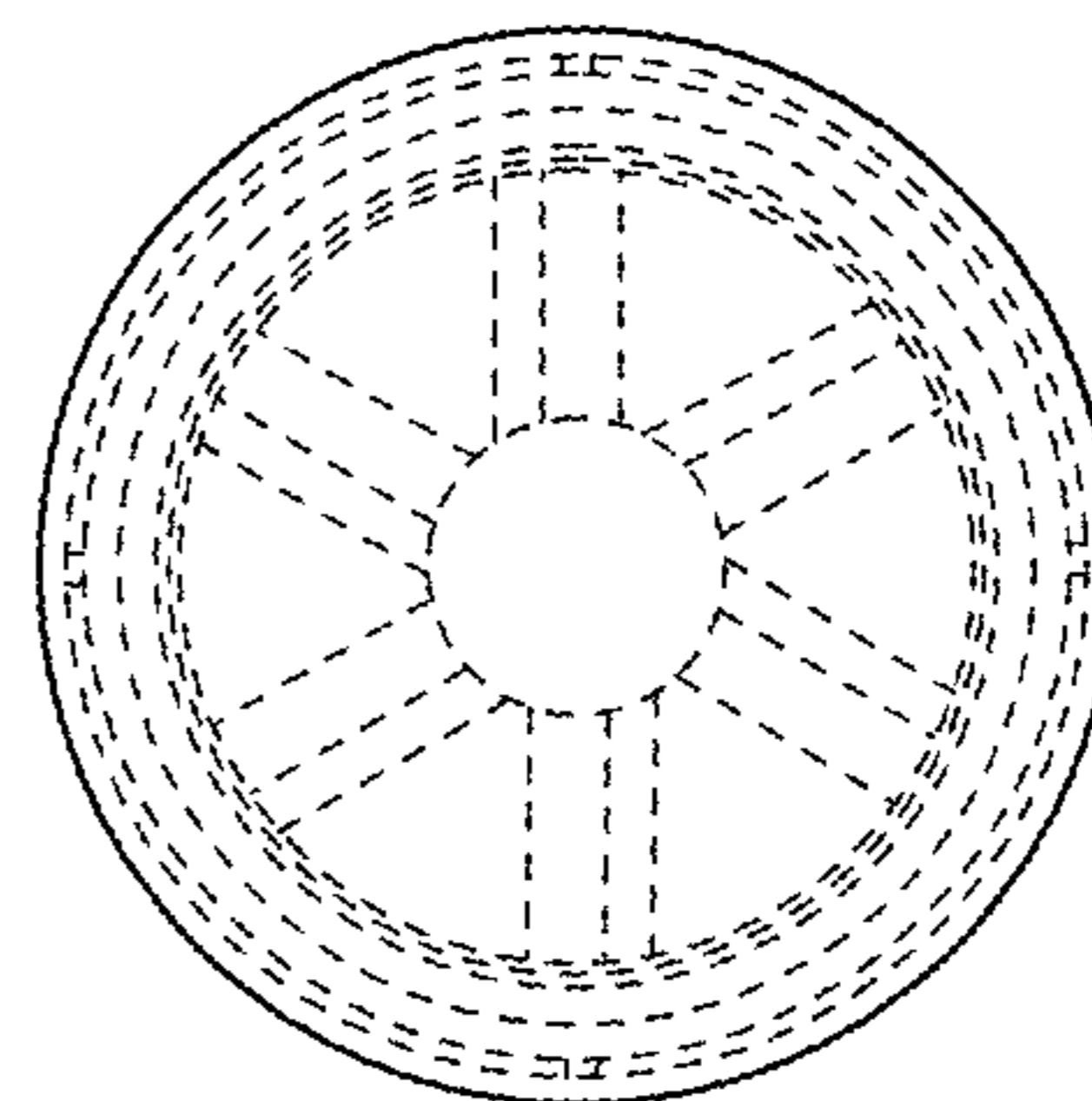


FIG. 24