



US00D911183S

(12) **United States Design Patent** (10) **Patent No.:** **US D911,183 S**
Meilhac (45) **Date of Patent:** **** Feb. 23, 2021**

(54) **CONTAINER**

(71) Applicant: **CARTIER INTERNATIONAL AG,**
Steinhausen (CH)

(72) Inventor: **Florian Meilhac,** Paris (FR)

(73) Assignee: **CARTIER INTERNATIONAL AG,**
Steinhausen (CH)

(**) Term: **15 Years**

(21) Appl. No.: **29/731,703**

(22) Filed: **Apr. 17, 2020**

(30) **Foreign Application Priority Data**

Jan. 9, 2020 (WO) WIPO90829

(51) **LOC (13) Cl.** **09-01**

(52) **U.S. Cl.**
USPC **D9/667; D9/652**

(58) **Field of Classification Search**

USPC D3/202, 270, 271.1–271.4; D7/301–303,
D7/509–511, 514–521, 529, 594, 599,
D7/604, 613, 619.2, 623, 628; D9/600,
D9/649, 652, 667, 500–516, 520, 523,
D9/528, 542–546, 562, 572–575;
206/457, 459.5, 527; 215/381–384, 400;
D11/56, 61, 103, 116, 121, 131–32
CPC B65D 5/42; B65D 5/4258; B65D 81/60;
B65D 81/365; B65D 81/366; B65D
81/368; B65D 2203/00; B65D 2203/02;
B65D 5/4208; B65D 77/00; B65D 67/00;
A63H 33/16

See application file for complete search history.

(56) **References Cited**

U.S. PATENT DOCUMENTS

D135,276 S * 3/1943 Poutinen D9/667
D338,154 S * 8/1993 Breneman D9/667

D418,759 S * 1/2000 Holmstrom D9/652
D446,112 S * 8/2001 Bretz D9/667
D449,980 S * 11/2001 Piccioli D9/667
D617,652 S * 6/2010 Katz D9/667
D694,120 S * 11/2013 Baussan D9/652
D739,258 S * 9/2015 Mai D9/667

OTHER PUBLICATIONS

Bottle icon with explanation mark, published prior to Apr. 1, 2019.
<https://www.dreamstime.com/bottle-vector-icon-exclamation-mark-bar-alcohol-beverage-alert-error-alarm-danger-symbol-illustration-image128981943>.*

* cited by examiner

Primary Examiner — Sandra L Morris

(74) *Attorney, Agent, or Firm* — Oliff PLC

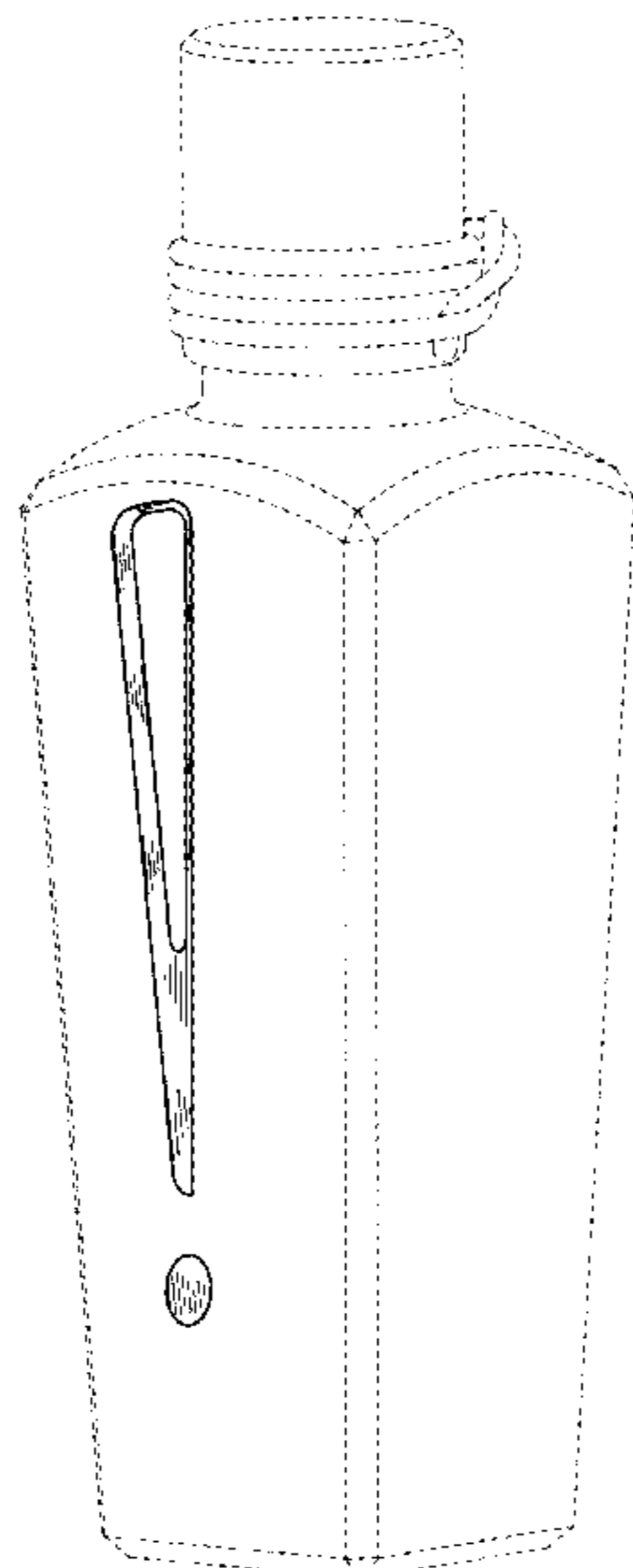
(57) **CLAIM**

The ornamental design for a container, as shown and described.

DESCRIPTION

FIG. 1 is a front elevational view of the container, showing the new design;
FIG. 2 is a rear elevational view thereof;
FIG. 3 is a top plan view thereof;
FIG. 4 is a bottom plan view thereof;
FIG. 5 is a left-side elevational view thereof;
FIG. 6 is a right-side elevational view thereof; and,
FIG. 7 is a front, right-side, top perspective view thereof.
The broken lines depict parts of the container that form no part of the claimed design.

1 Claim, 6 Drawing Sheets



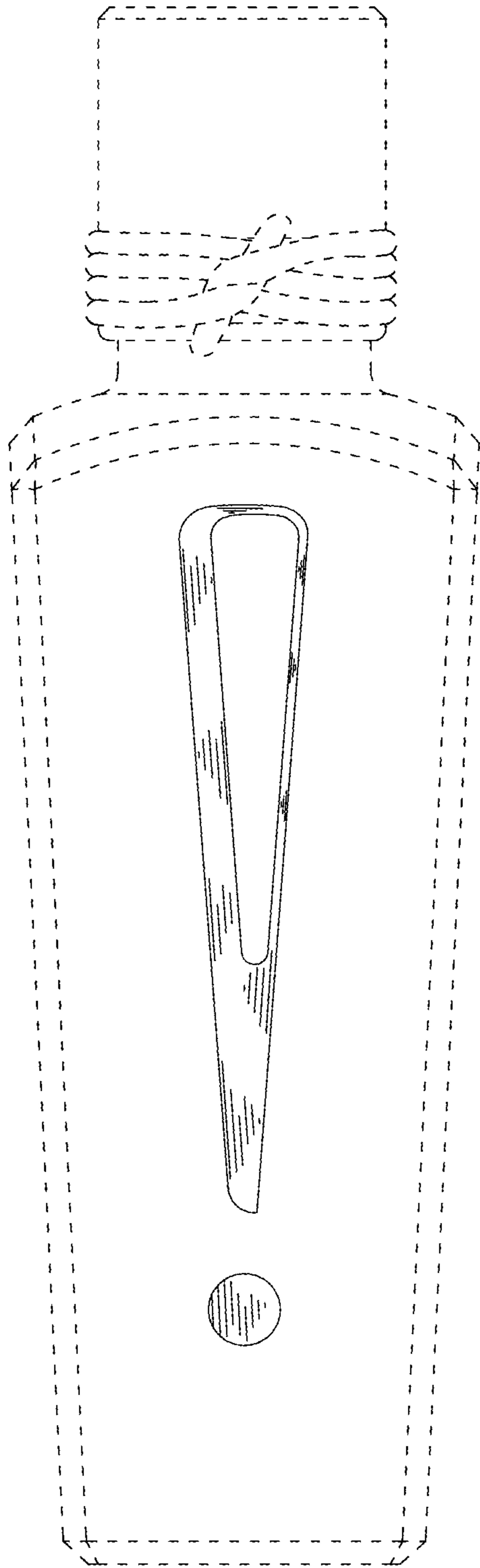


FIG. 1

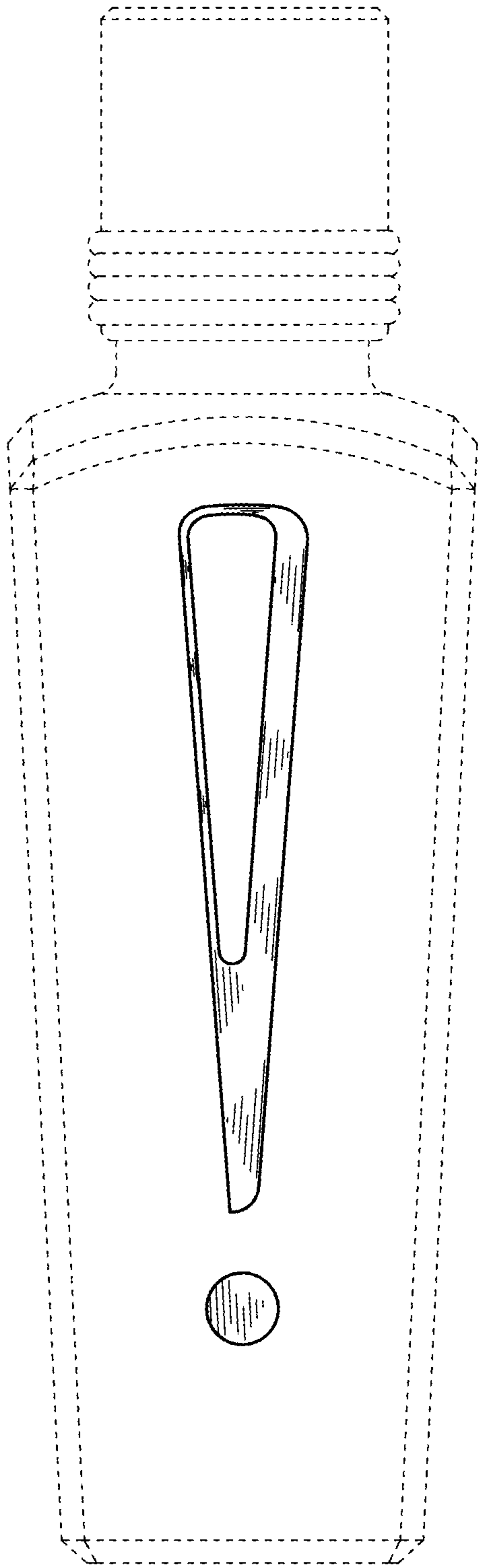


FIG. 2

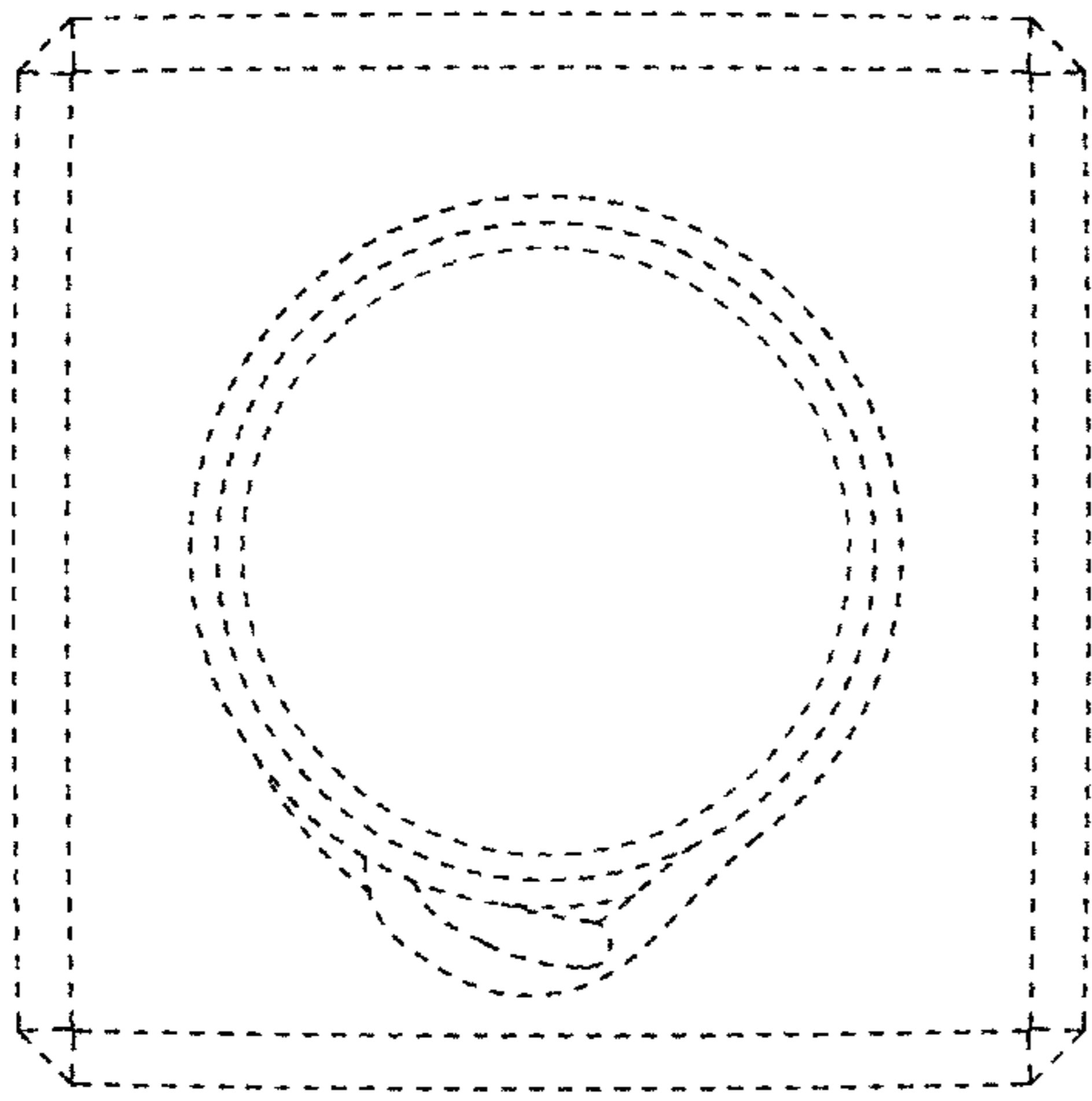


FIG. 3

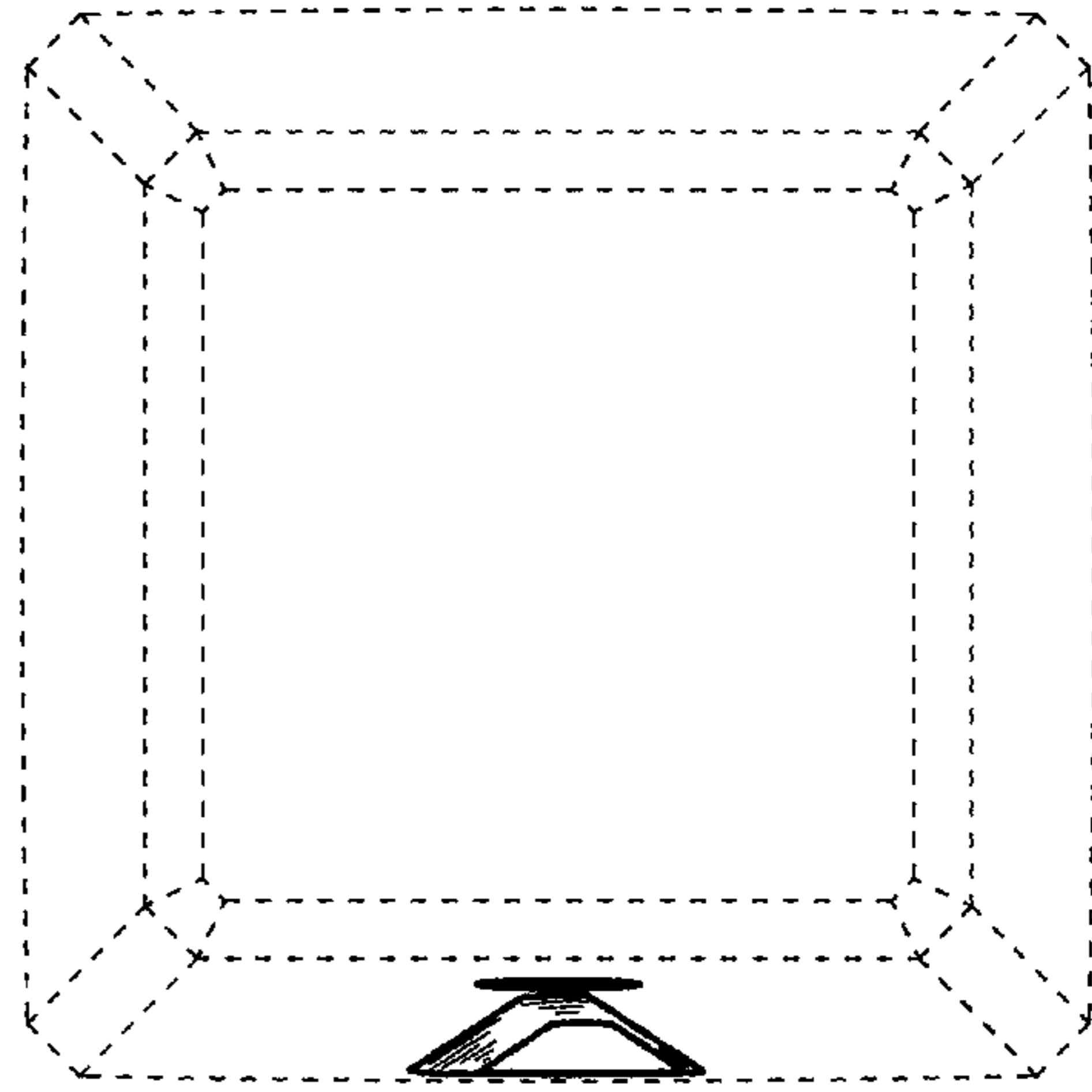


FIG. 4

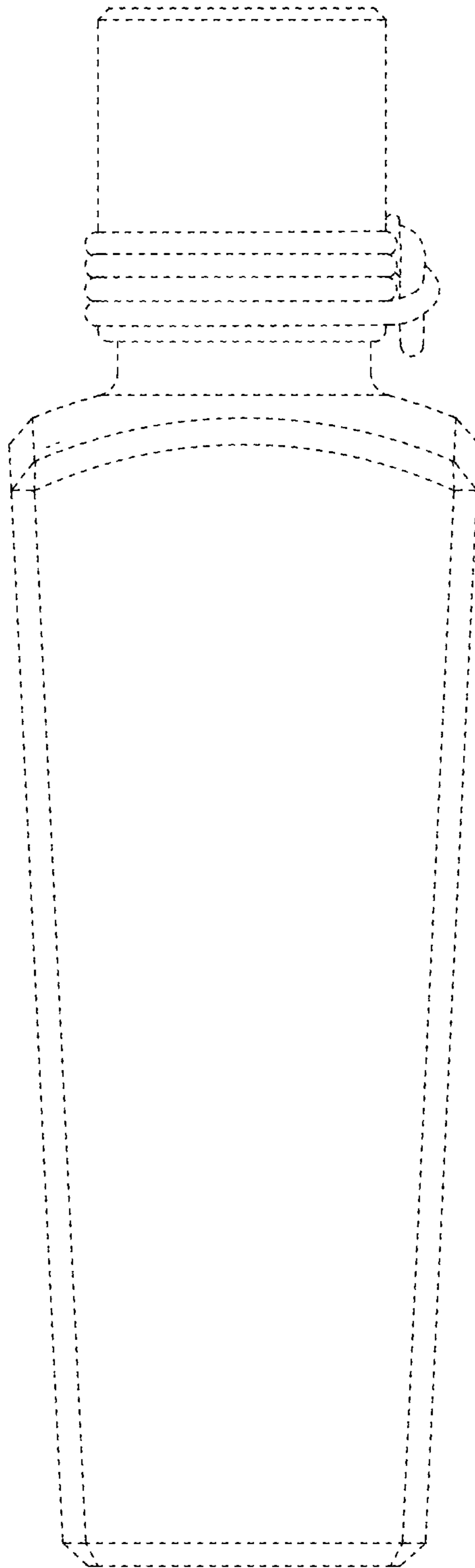


FIG. 5

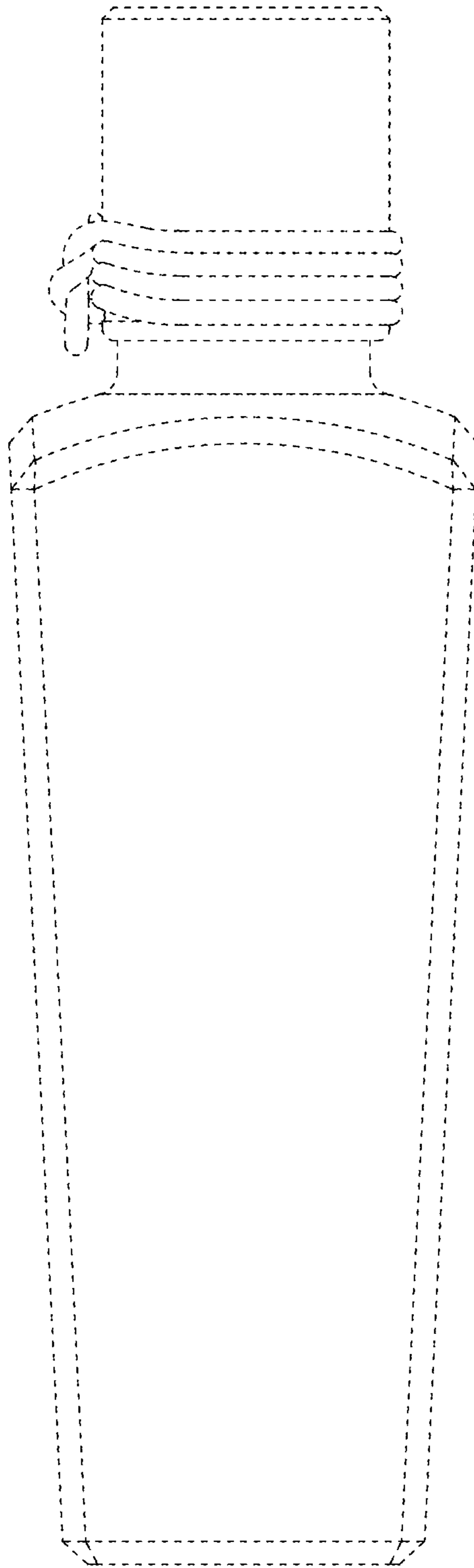


FIG. 6

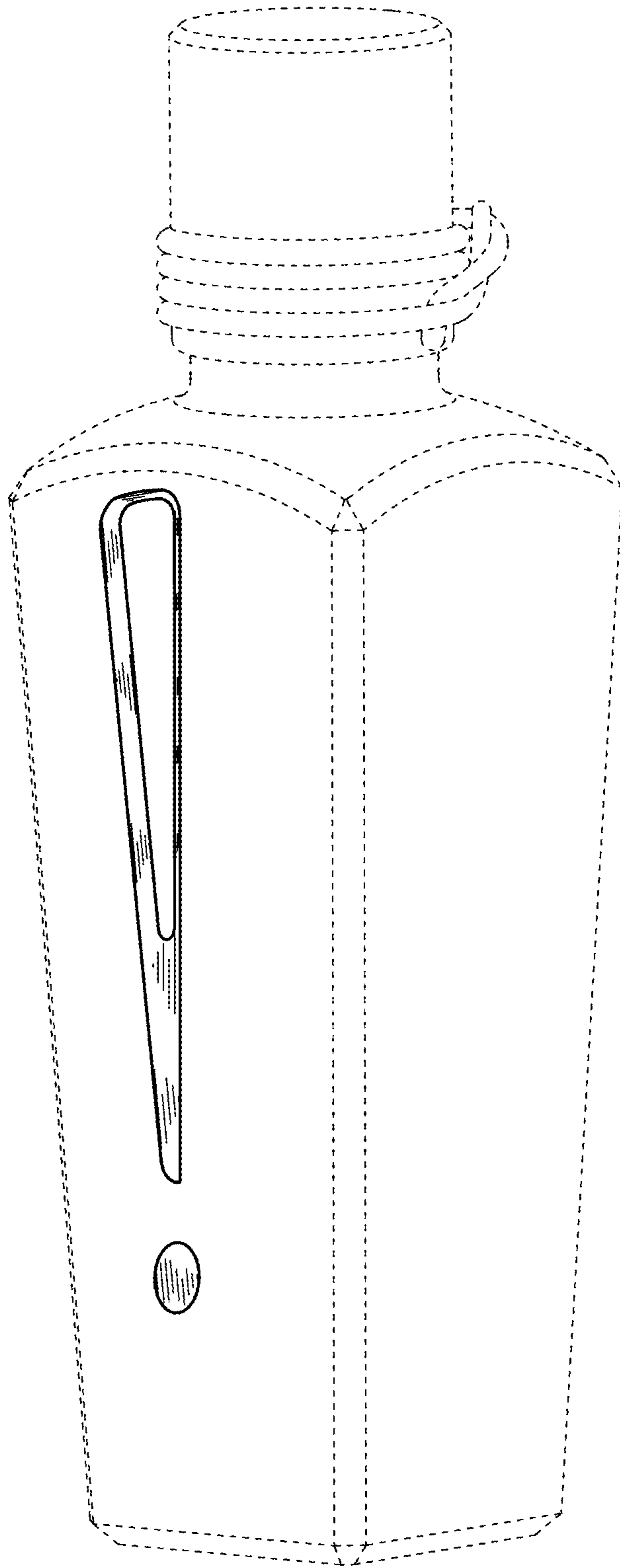


FIG. 7