



US00D911177S

(12) **United States Design Patent**
Da Barp

(10) **Patent No.:** **US D911,177 S**

(45) **Date of Patent:** **** Feb. 23, 2021**

(54) **BOTTLE**

(71) Applicant: **Axium Packaging LLC**, New Albany, OH (US)

(72) Inventor: **Ivan Da Barp**, New Albany, OH (US)

(73) Assignee: **Axium Packaging LLC**, New Albany, OH (US)

(**) Term: **15 Years**

(21) Appl. No.: **29/652,549**

(22) Filed: **Sep. 16, 2020**

Related U.S. Application Data

(62) Division of application No. 29/643,535, filed on Apr. 10, 2018, now Pat. No. Des. 904,193.

(51) **LOC (13) Cl.** **09-01**

(52) **U.S. Cl.**
USPC **D9/502; D9/550**

(58) **Field of Classification Search**

USPC D9/434, 500, 502-503, 516, 530-531, D9/537-538, 540, 549, 550, 556-558, D9/715, 719; 215/379, 381-383; 220/660, 662, 669-670, 672, 675
CPC B65D 1/00; B65D 1/02; B65D 1/0223; B65D 1/44; B65D 23/00; B65D 23/102; B65D 2501/00; B65D 2501/0009; B65D 2501/0018; B65D 2501/0036

See application file for complete search history.

(56) **References Cited**

U.S. PATENT DOCUMENTS

D112,462 S * 12/1938 Kohl D9/502
D283,794 S * 5/1986 Richter D9/520

D306,262 S * 2/1990 Bit D9/502
D414,700 S * 10/1999 Zogg D9/502
D432,423 S * 10/2000 Rashid D9/502
6,296,131 B2 * 10/2001 Rashid B65D 1/0223
215/382
D457,435 S * 5/2002 Rashid D9/502
D489,988 S * 5/2004 Ogata D9/773
D490,316 S * 5/2004 Antal D12/202
D509,433 S * 9/2005 Trayser D9/501
D541,656 S * 5/2007 Martin D9/502
D681,472 S * 5/2013 Klebeck D9/538
D845,772 S * 4/2019 Hall D9/502
D899,256 S * 10/2020 Fujimoto D9/538
D899,257 S * 10/2020 Fujimoto D9/538

* cited by examiner

Primary Examiner — Dana Meyrow

(74) *Attorney, Agent, or Firm* — Porter Wright Morris & Authur, LLP

(57) **CLAIM**

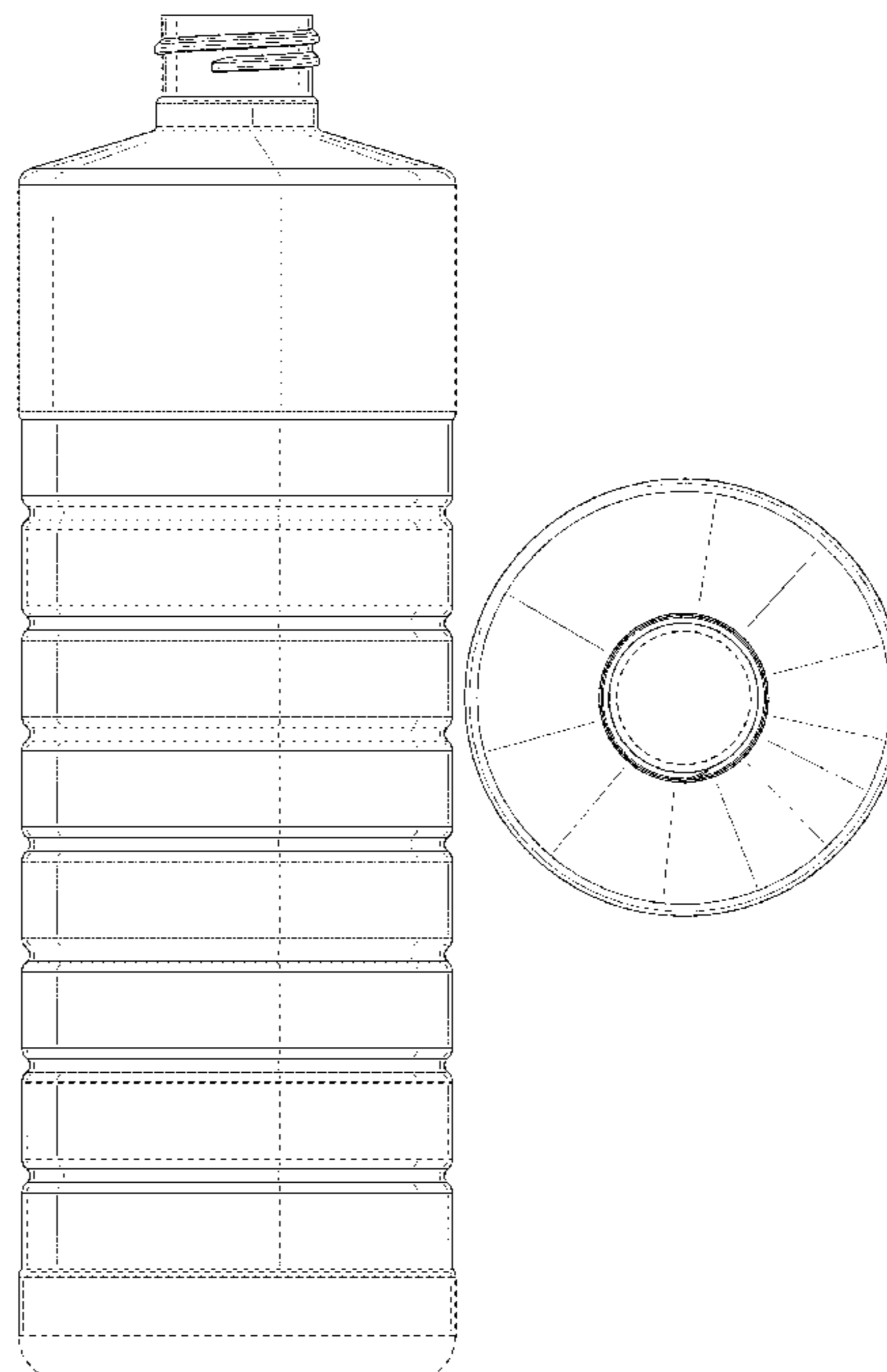
The ornamental design for a bottle, as shown and described.

DESCRIPTION

FIG. 1 is a perspective view of a bottle according to my new design;
FIG. 2 is front view thereof;
FIG. 3 is a rear view thereof;
FIG. 4 is a left side view thereof;
FIG. 5 is a right side view thereof;
FIG. 6 is a top view thereof;
FIG. 7 is bottom view thereof; and,
FIG. 8 is an enlarged fragmented view thereof, taken from FIG. 2.

The broken lines in the drawings illustrate the portions of the bottle that form no part of the claim.

1 Claim, 8 Drawing Sheets



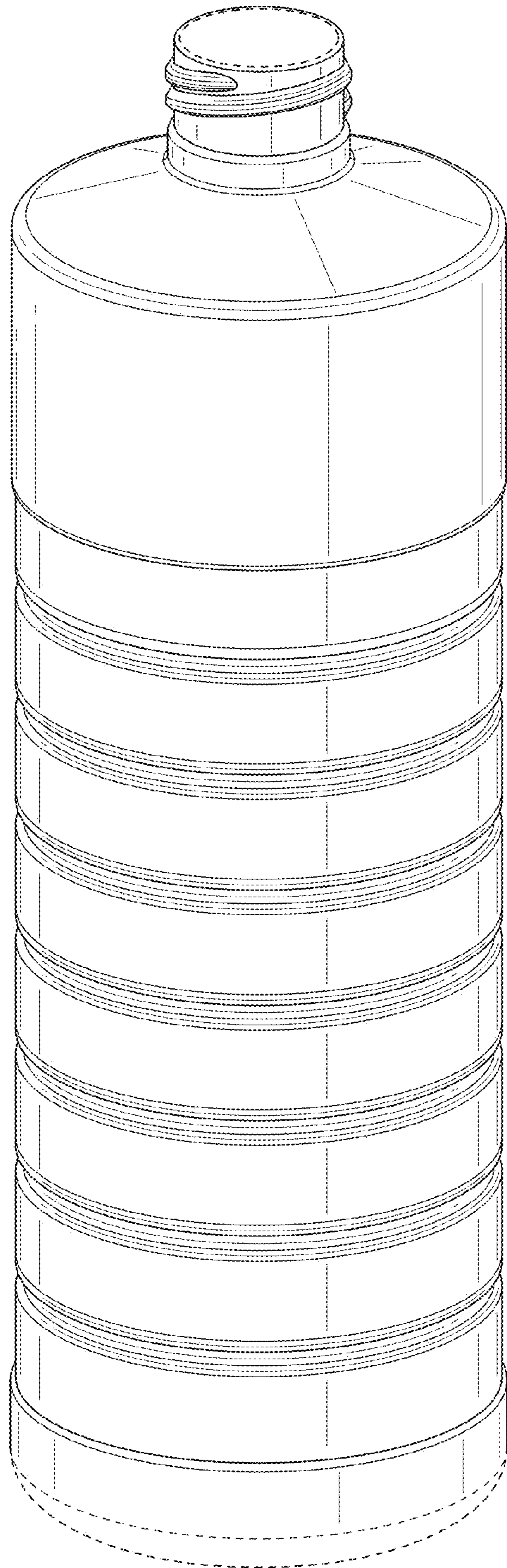


FIG. 1

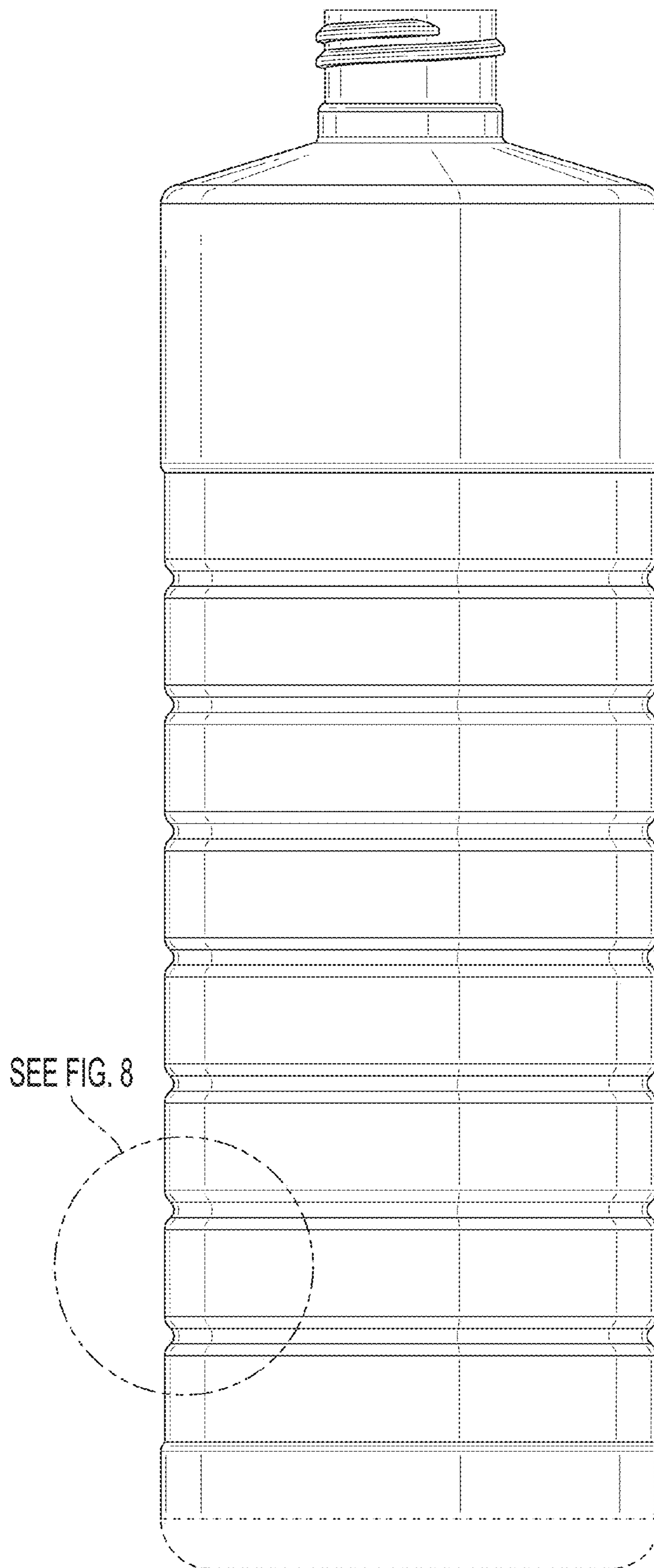


FIG. 2

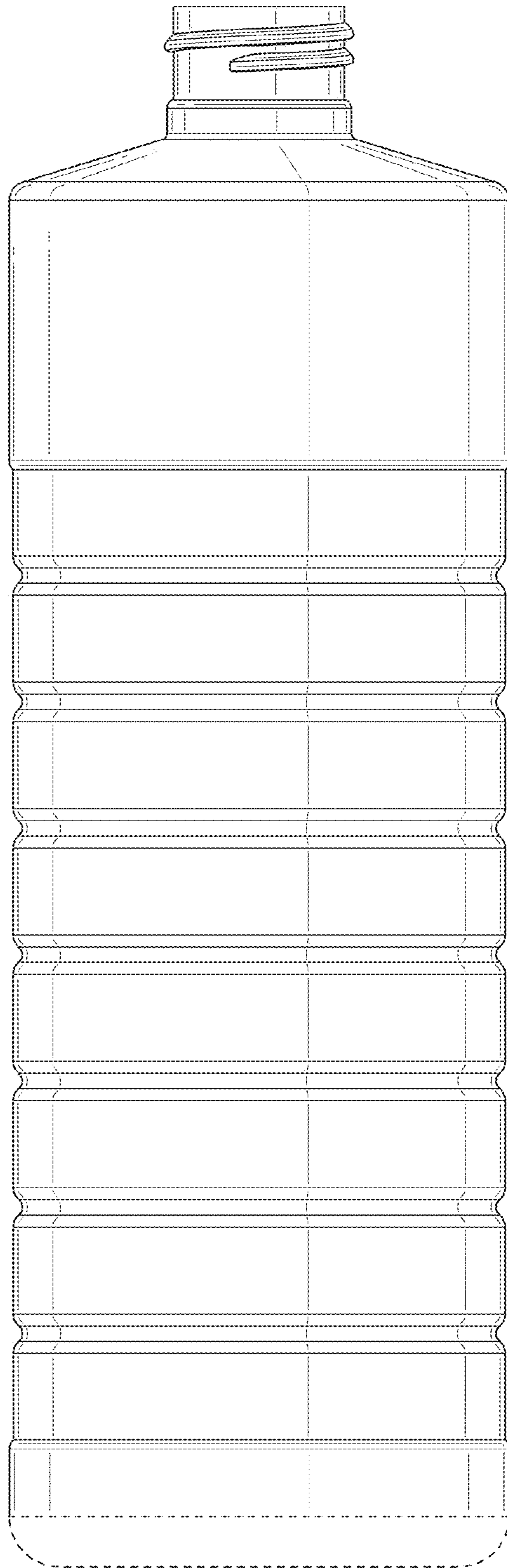


FIG. 3

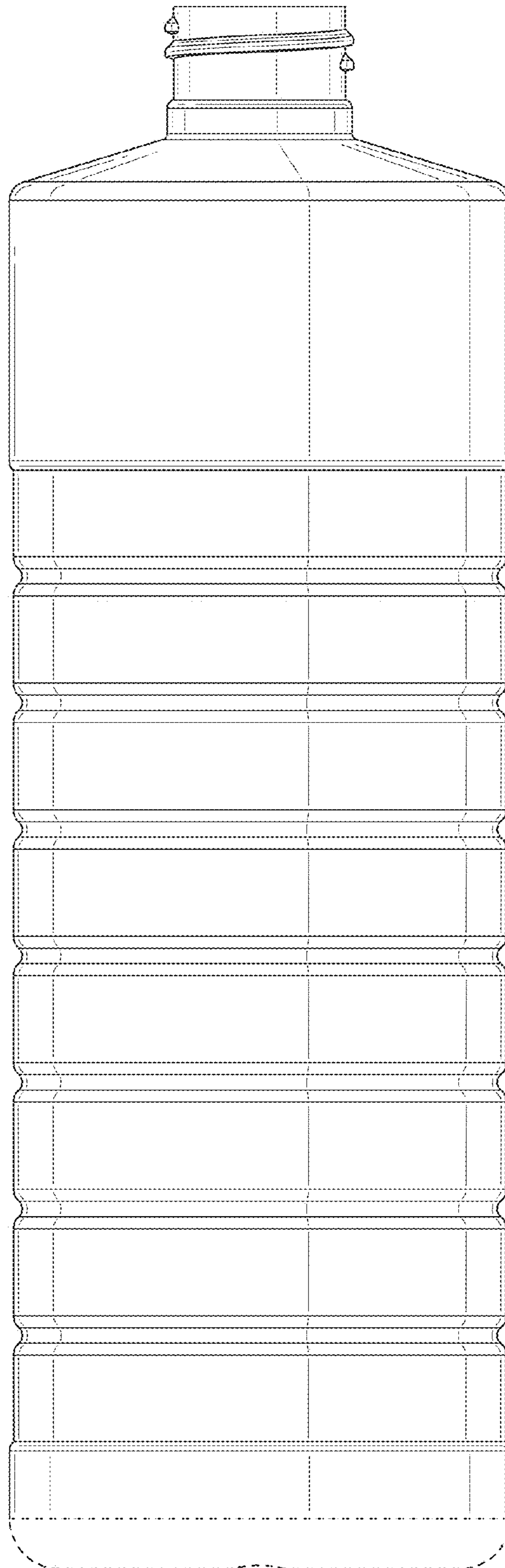


FIG. 4

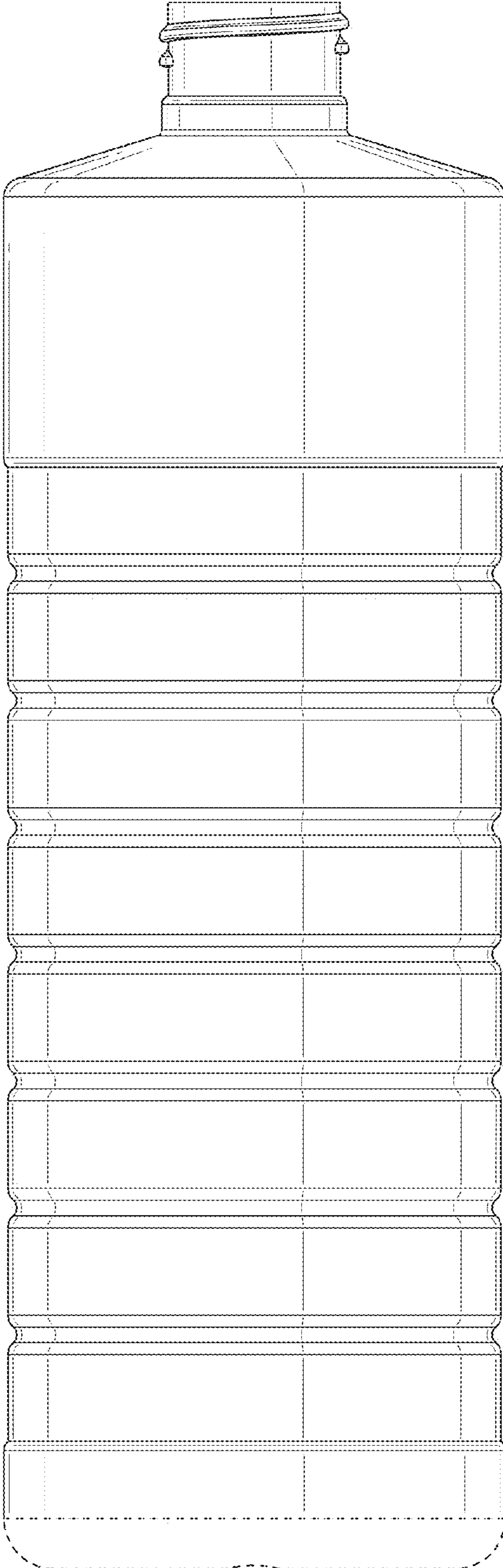


FIG. 5

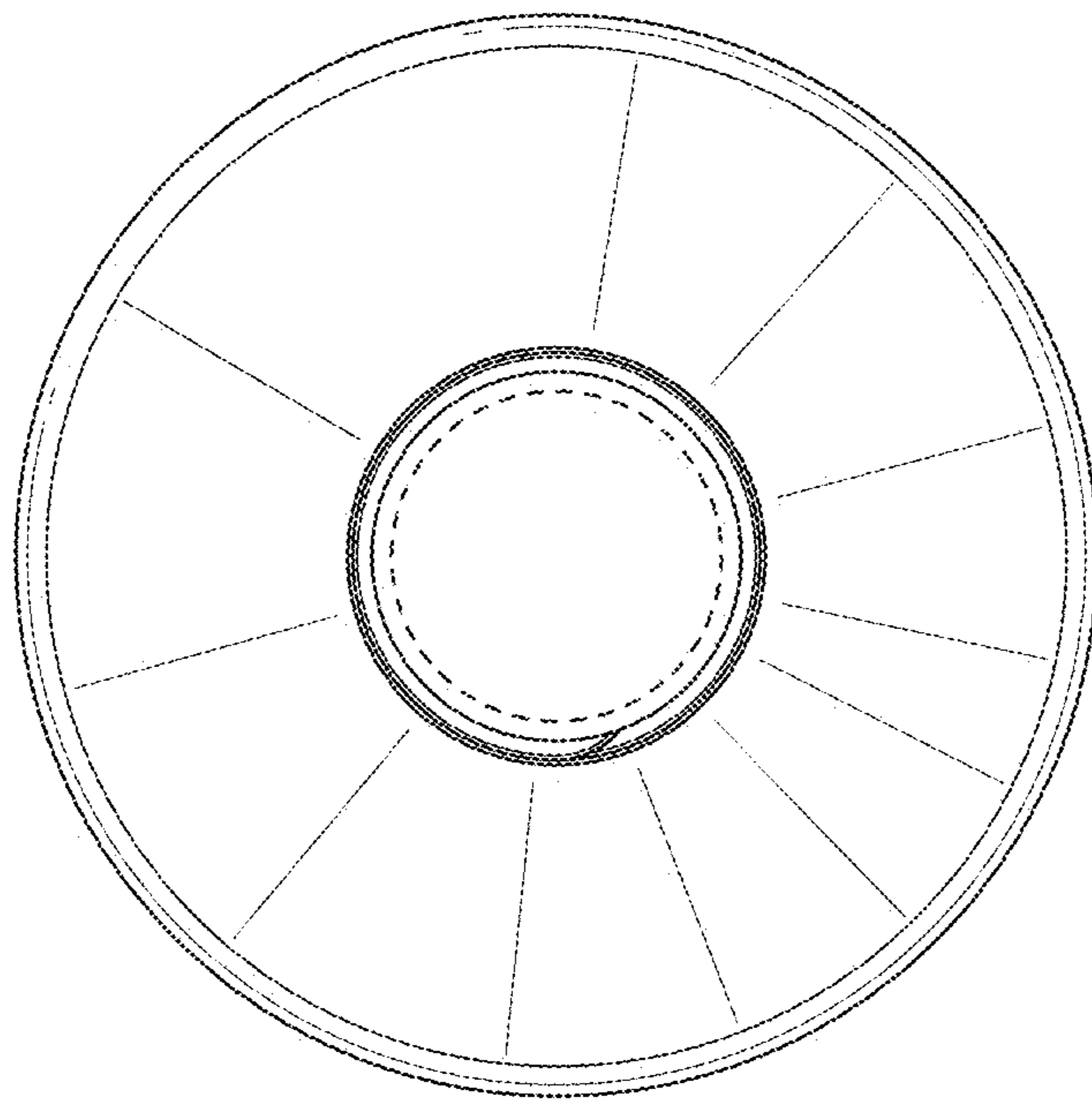


FIG. 6

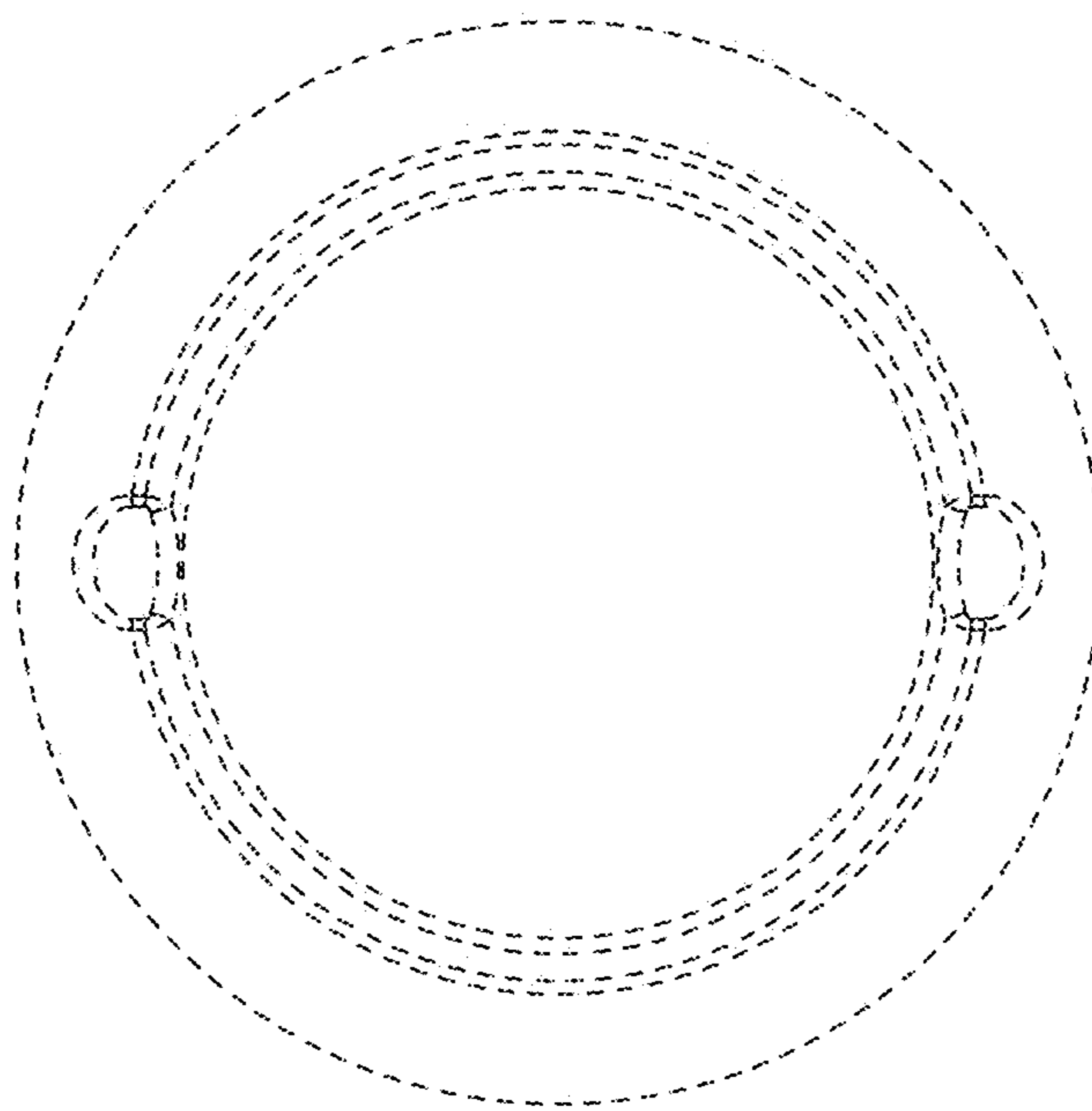


FIG. 7

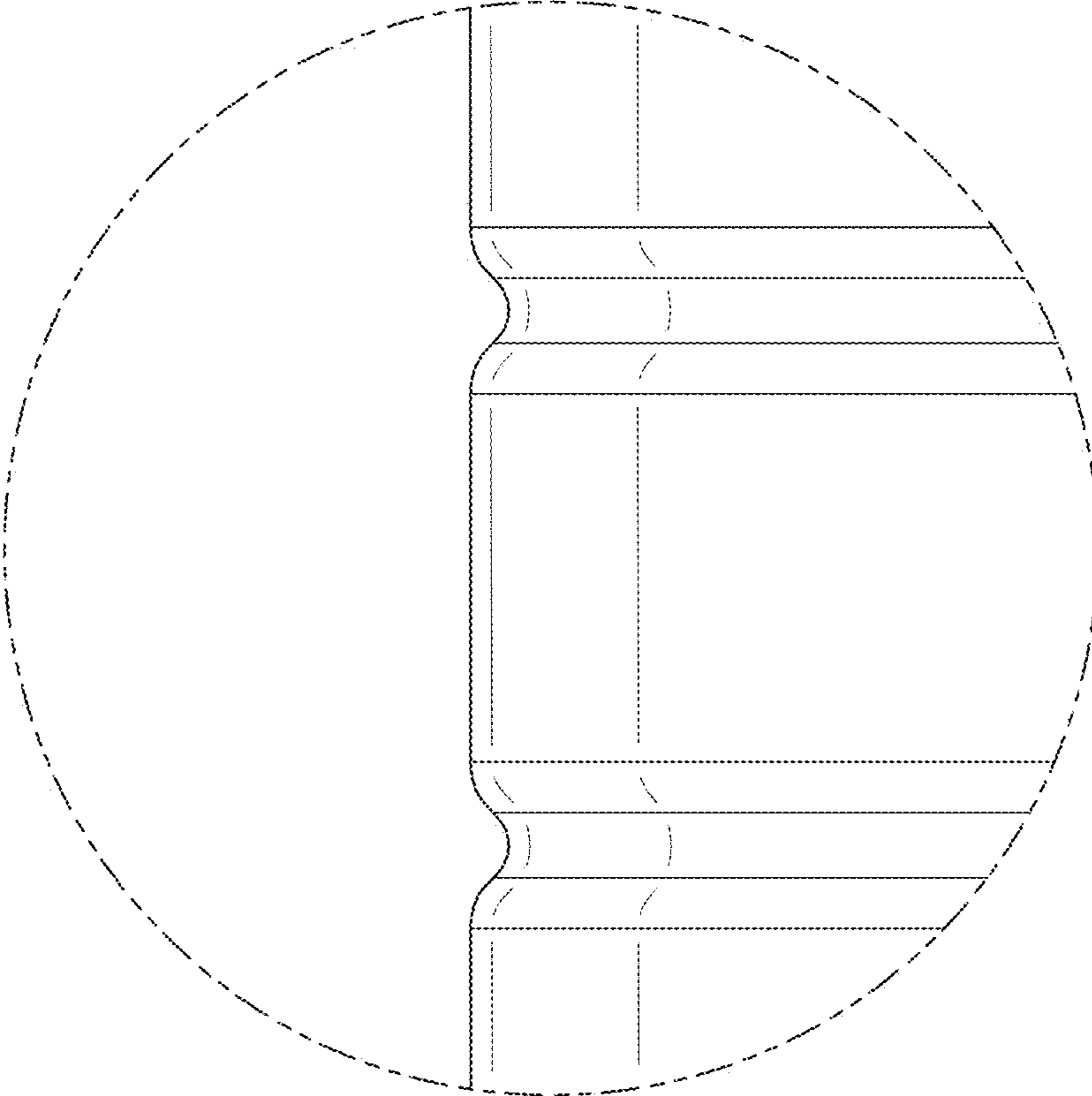


FIG. 8