



US00D911172S

(12) **United States Design Patent** (10) **Patent No.:** **US D911,172 S**
Aboabdo (45) **Date of Patent:** **** *Feb. 23, 2021**

(54) **DISPENSING BOTTLE CAP**

- (71) Applicant: **Chubby Gorilla, Inc.**, Santa Fe Springs, CA (US)
- (72) Inventor: **Eyad Aboabdo**, Fullerton, CA (US)
- (73) Assignee: **Chubby Gorilla, Inc.**, Fullerton, CA (US)

(*) Notice: This patent is subject to a terminal disclaimer.

(**) Term: **15 Years**

(21) Appl. No.: **29/689,592**

(22) Filed: **Apr. 30, 2019**

Related U.S. Application Data

(63) Continuation of application No. 29/655,623, filed on Jul. 5, 2018, now Pat. No. Des. 855,476, which is a (Continued)

(51) **LOC (13) Cl.** **09-01**

(52) **U.S. Cl.**
USPC **D9/453; D9/558; D9/724**

(58) **Field of Classification Search**
USPC D9/434, 435, 444-445, 449, 452-454, D9/500-505, 516, 519, 521-526,
(Continued)

(56) **References Cited**

U.S. PATENT DOCUMENTS

D199,545 S 11/1964 Torongo et al.
3,398,848 A 8/1968 Donovan
(Continued)

FOREIGN PATENT DOCUMENTS

JP 1362412 6/2009
JP 1429123 12/2011
(Continued)

OTHER PUBLICATIONS

Cycles of Use Pet dropper Bottle Unicorn Dropper bottle, posted at amazon.com, posted Jun. 11, 2017, © 1996-2017, Amazon.com [online], [site visited Sep. 20, 2017], Available from Internet, URL:https://www.amazon.com/dropper-Unicorn-Dropper-applicator-dispensor/dp/B071SGRSPX/ref=sr_1_18_sspa?ie=UTF8&qid=1505927843&sr=8-18-spons&keywords=chubby+gorilla+unic.

(Continued)

Primary Examiner — Lilyana Bekic

Assistant Examiner — Mary Shannon Malley

(74) *Attorney, Agent, or Firm* — Knobbe Martens Olson & Bear LLP

(57) **CLAIM**

The ornamental design for a dispensing bottle cap, as shown and described.

DESCRIPTION

FIG. 1 is a perspective view of a first embodiment of a dispensing bottle cap according to the present design.

FIG. 2 is an elevation view thereof.

FIG. 3 is a top plan view thereof.

FIG. 4 is a bottom plan view thereof.

FIG. 5 is a perspective view of a second embodiment of a dispensing bottle cap according to the present design.

FIG. 6 is an elevation view thereof.

FIG. 7 is a top plan view thereof.

FIG. 8 is a bottom plan view thereof.

FIG. 9 is a perspective view of a third embodiment of a dispensing bottle cap according to the present design.

FIG. 10 is an elevation view thereof.

FIG. 11 is a top plan view thereof.

FIG. 12 is a bottom plan view thereof.

FIG. 13 is a perspective view of a fourth embodiment of a dispensing bottle cap according to the present design.

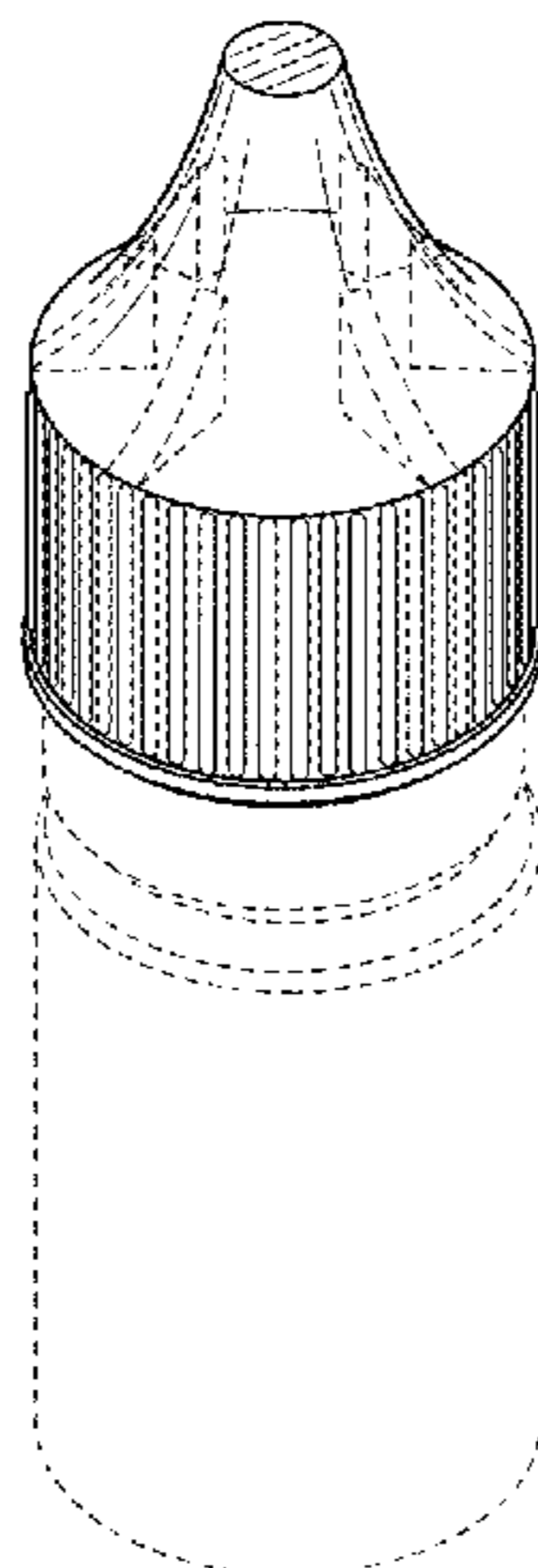
FIG. 14 is an elevation view thereof.

FIG. 15 is a top plan view thereof; and,

FIG. 16 is a bottom plan view thereof.

The broken lines showing a bottle depict environmental subject matter that forms no part of the claimed design, all

(Continued)



other broken lines depict portions of the dispensing bottle cap that form no part of the claimed design.

1 Claim, 8 Drawing Sheets

Related U.S. Application Data

continuation of application No. 29/573,527, filed on Aug. 6, 2016, now Pat. No. Des. 834,950, application No. 29/689,592, filed on Apr. 30, 2019, which is a continuation of application No. 29/655,619, filed on Jul. 5, 2018, now Pat. No. Des. 860,004, which is a continuation of application No. 29/573,527, filed on Aug. 6, 2016, now Pat. No. Des. 834,950.

(58) **Field of Classification Search**

USPC D9/529-530, 535, 537-546, 548-575, D9/682-694, 723-729; D7/300, 598; 215/379, 381-385; 220/660, 662, 220/669-673, 675
CPC B65D 1/0223; B65D 2501/0036; B65D 79/005; B65D 23/102; B65D 2501/0027; B65D 23/0814; B65D 1/0233; B65D 1/095; B65D 2251/023; B65D 2255/20; B65D 41/0485; B65D 47/122; B65C 3/08
See application file for complete search history.

(56) **References Cited**

U.S. PATENT DOCUMENTS

D221,132 S	7/1971	Schiavone
D259,172 S	5/1981	Ross
D264,938 S	6/1982	Stock
D264,939 S	6/1982	Stock
D264,940 S	6/1982	Stock
D264,941 S	6/1982	Stock
4,371,088 A	2/1983	Gach
D277,736 S	2/1985	Long
D279,080 S	6/1985	Negishi
D280,492 S	9/1985	Greaves
4,632,264 A	12/1986	Evans
4,635,806 A	1/1987	Williamson
4,705,181 A	11/1987	Burke et al.
D310,969 S	10/1990	Butler
5,020,681 A	6/1991	Kusz
5,115,928 A	5/1992	Drummond, Jr.
5,263,615 A	11/1993	Anderson
5,314,085 A	5/1994	Collado Bonet
5,324,481 A	6/1994	Dunn et al.
D354,914 S	1/1995	Newman
D356,597 S	3/1995	Gray
D357,865 S	5/1995	Hansen
D362,623 S	9/1995	Ma
5,462,200 A	10/1995	Weiler
D368,425 S	4/1996	Newell
5,543,115 A	8/1996	Karakawa
5,676,268 A	10/1997	King
D405,371 S	2/1999	Herr
D411,109 S	6/1999	Suto

D412,107 S	7/1999	Bosshardt
D416,793 S	11/1999	Faughey
6,202,869 B1	3/2001	Sullivan
D451,396 S	12/2001	Johnson et al.
6,334,557 B1	1/2002	Yang
D491,469 S	6/2004	Horie
7,051,906 B2	5/2006	Kis et al.
D524,037 S	7/2006	Van Horn
7,178,703 B2	2/2007	Spada
D551,569 S	9/2007	Tanaka
7,334,694 B2	2/2008	Suffa
D564,357 S	3/2008	Kapoor et al.
7,563,256 B2	7/2009	Hearne
D601,908 S	10/2009	Yun
D603,710 S	11/2009	Wilson et al.
D611,346 S	3/2010	Camomile
7,677,417 B2	3/2010	Leiner
D651,921 S	1/2012	Probst
D653,950 S	2/2012	Ishizawa
8,444,610 B2	5/2013	Grevin
8,633,016 B2	1/2014	Parker
8,673,242 B2	3/2014	Shick
D704,052 S	5/2014	Yoshii et al.
D705,070 S	5/2014	Zheng
D732,400 S	6/2015	Hua
D732,975 S	6/2015	Hua
9,045,265 B2	6/2015	Adamczak
D742,019 S	10/2015	Montgomery
D768,506 S	10/2016	Hua
D826,068 S	8/2018	Aboabdo
D834,950 S	12/2018	Aboabdo
D849,535 S *	5/2019	Spencer D9/453
D855,476 S *	8/2019	Aboabdo D9/724
D860,004 S *	9/2019	Aboabdo D9/724
2003/0211616 A1	11/2003	Leong
2004/0182814 A1	9/2004	Suffa
2006/0111680 A1	5/2006	Spada
2007/0042454 A1	2/2007	Nix
2010/0167271 A1	7/2010	Ryan
2011/0281342 A1	11/2011	Porsch et al.
2017/0057710 A1	3/2017	Greiner-Perth et al.

FOREIGN PATENT DOCUMENTS

TW	D113730	11/2006
TW	D148448	8/2012

OTHER PUBLICATIONS

Chubby Gorilla Pet Bottles (3-Pack), posted at amazon.com, posted Jan. 31, 2017, © 1996-2017, Amazon.com,[online], [site visited Sep. 20, 2017]. Available from Internet, URL:https://www.amazon.com/Chubby-Gorilla-Bottles-3-Pack-Transparent/dp/B071HC64L/ref=pd_sbs_201_1?_encoding=UTF8&pd_rd_i=B071HCL64L&pd_rd_r=EE8F90ZD7DBOEXF5PEVVF&pd_rd_w=oITEN&pd_rd_wg=ko.

Chubby Gorilla Unicorn Bottles, dated as announced Sepp. 30, 2016, [online], dated as site visited Sep. 3, 2020. Available from internet, URL: http://www.amazon.com (dated as Year: 2016)

Huizhu Dropper Bottles, dated as announced Feb. 8, 2017, [online], dated as site visited Sep. 3, 2020. Available from Internet, URL: http://www.amazon.com (dated as Year: 2017)

* cited by examiner

Fig. 1

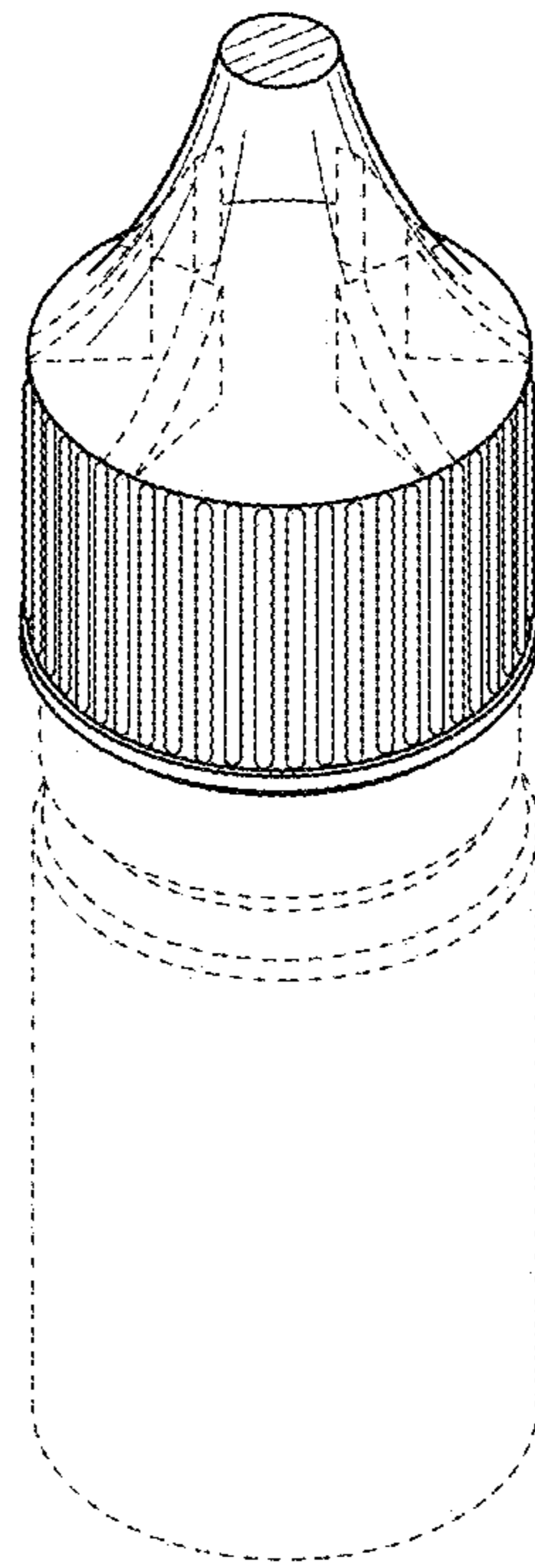


Fig. 2

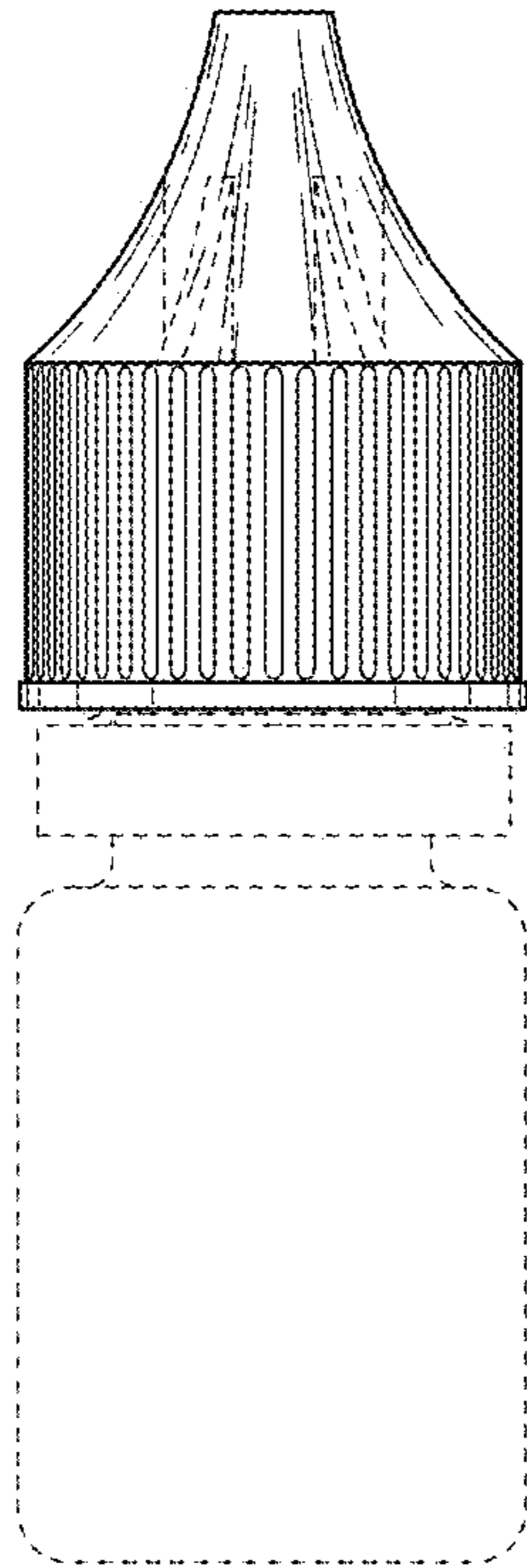


Fig. 3

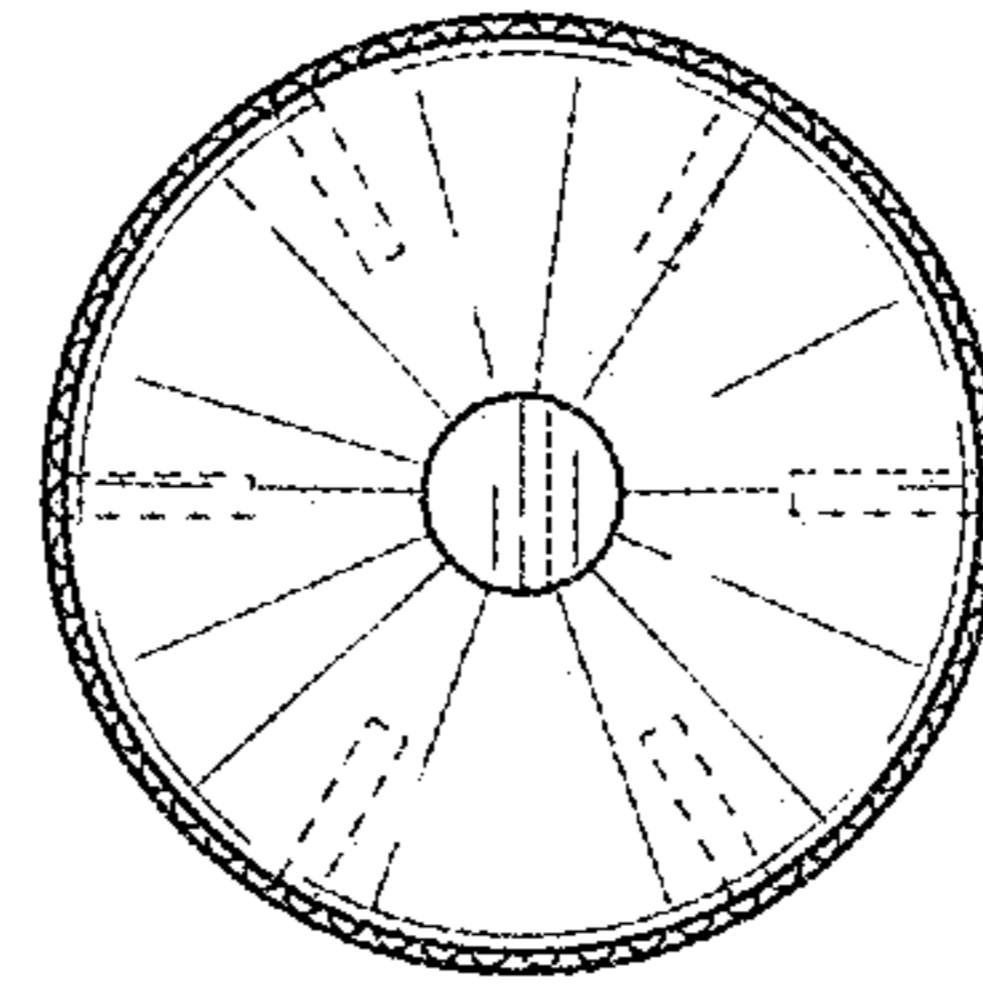


Fig. 4

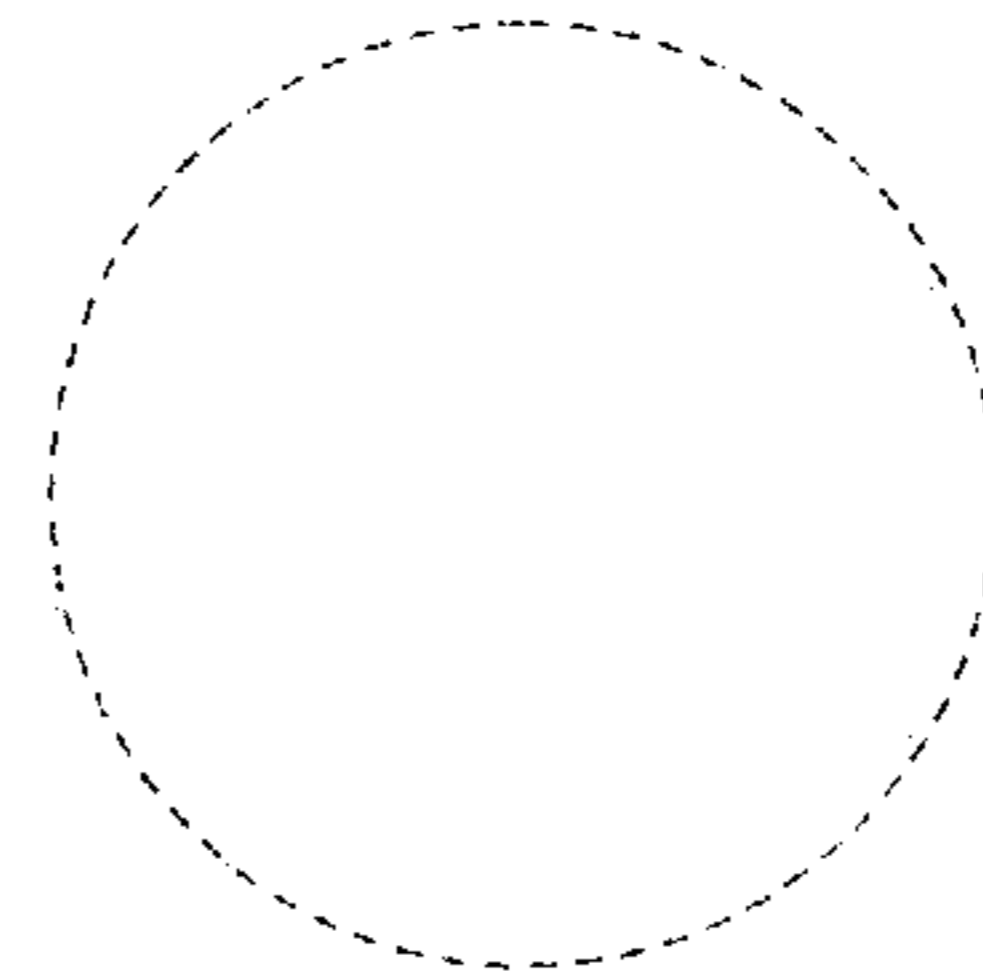


Fig. 5

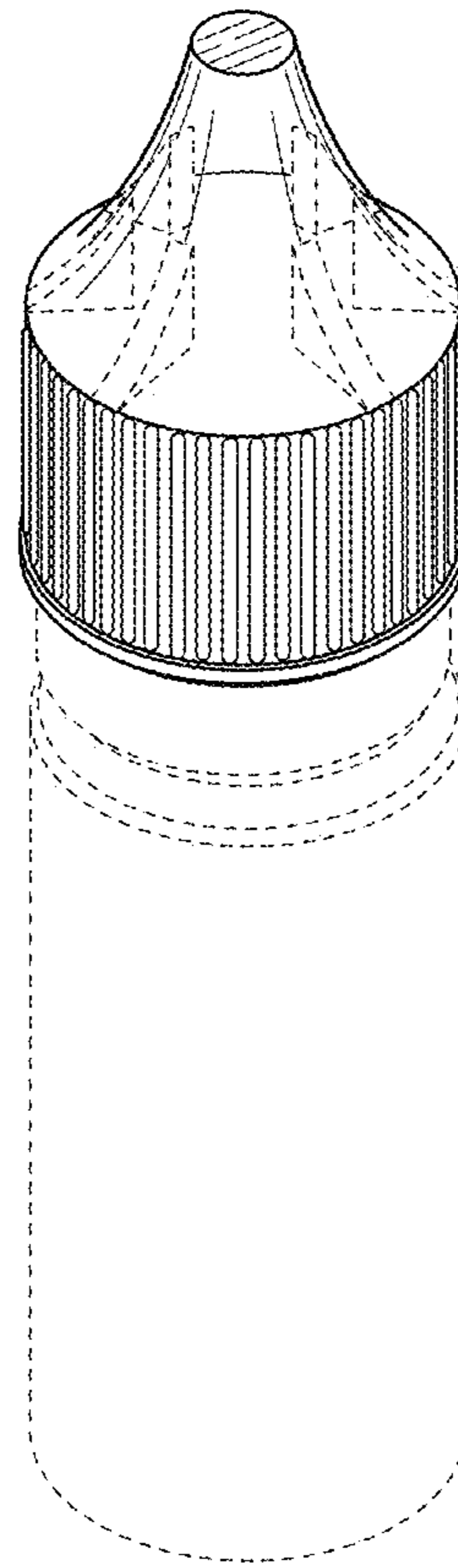


Fig. 6

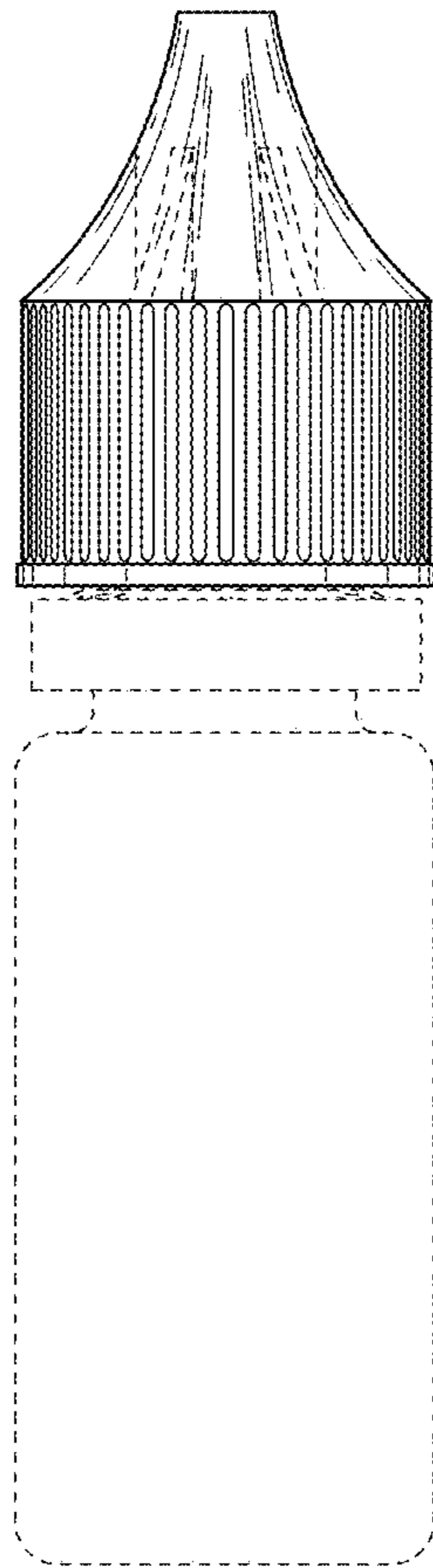


Fig. 7

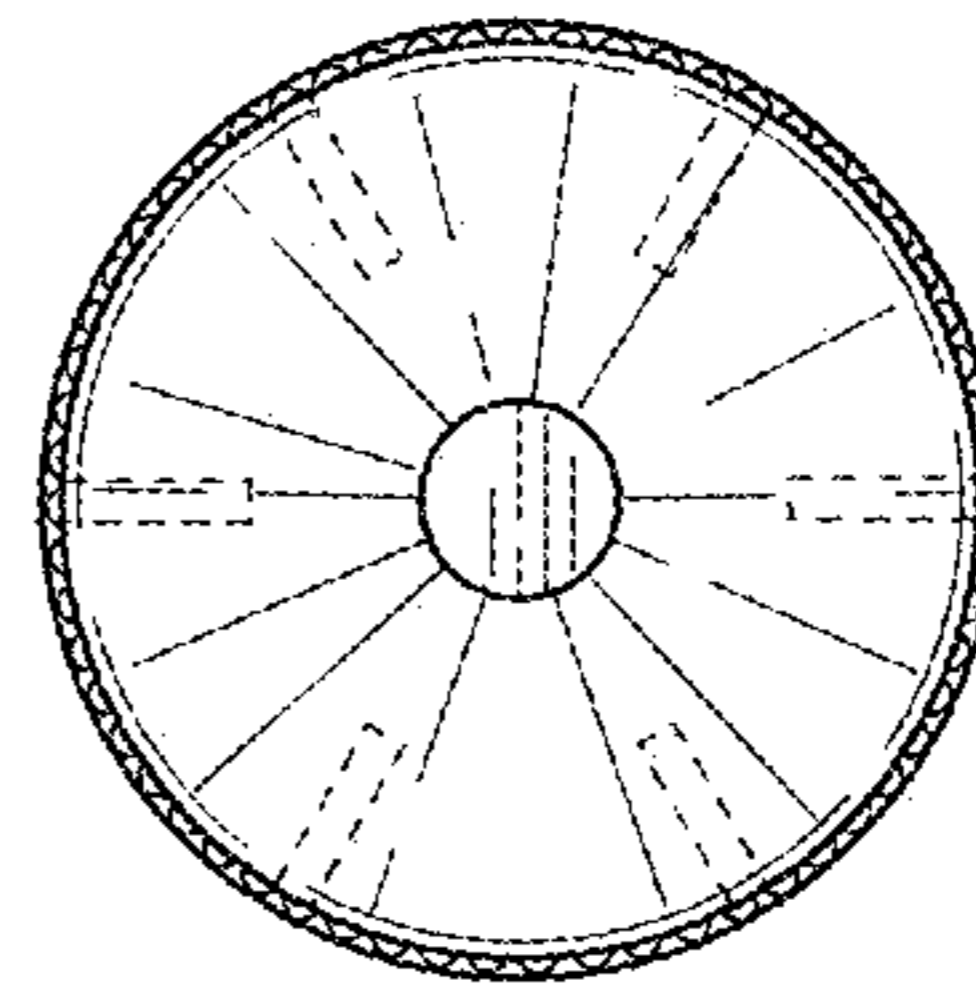


Fig. 8

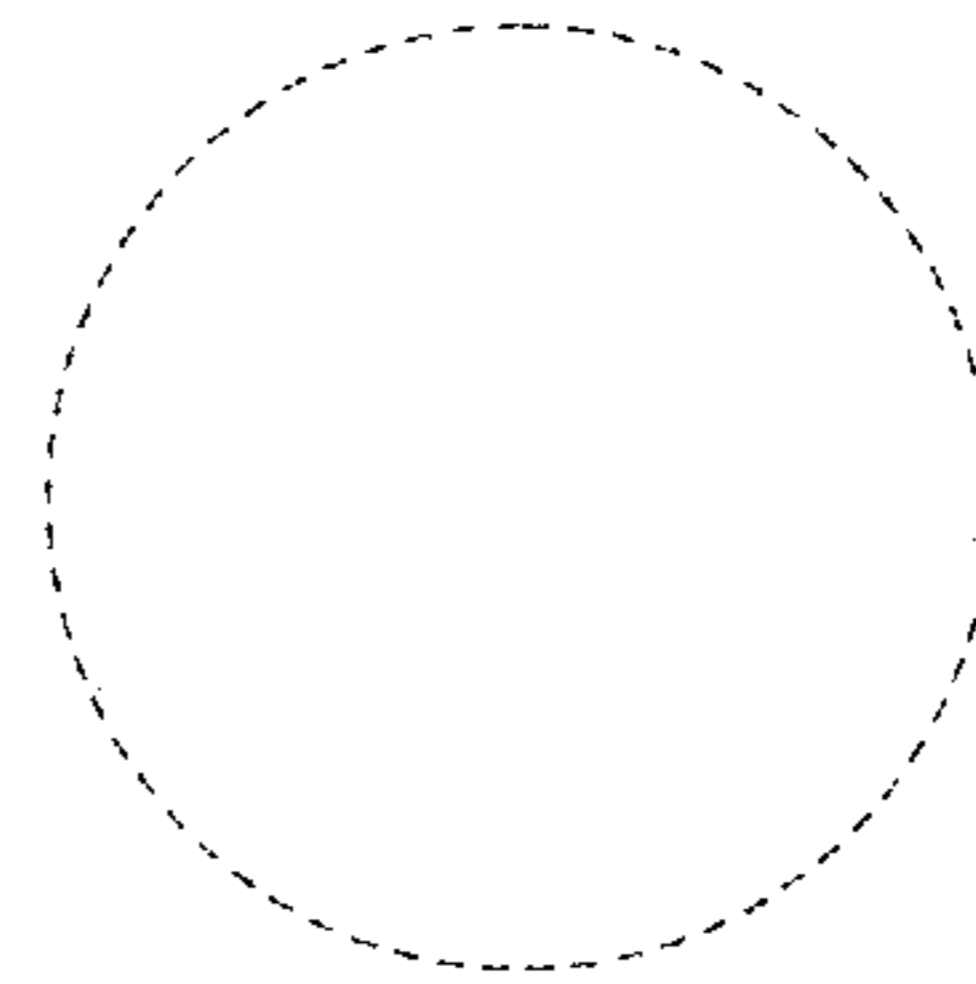


Fig. 9

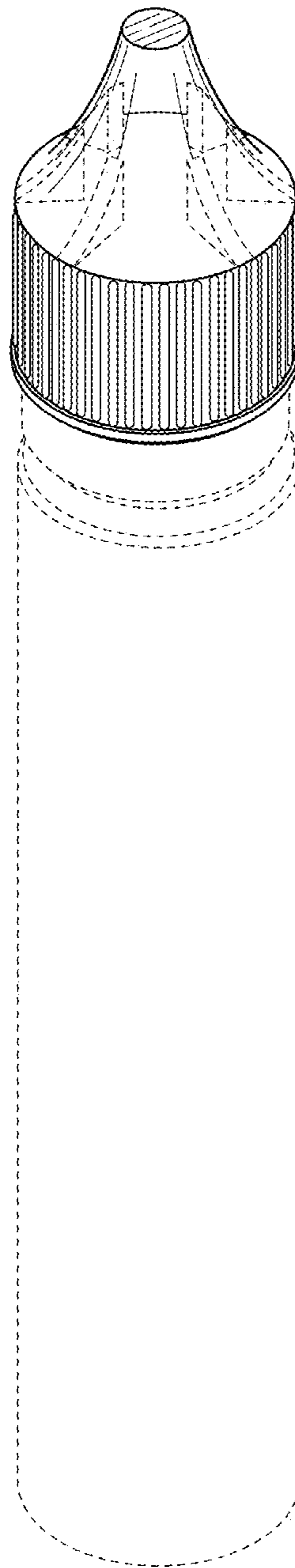


Fig. 10

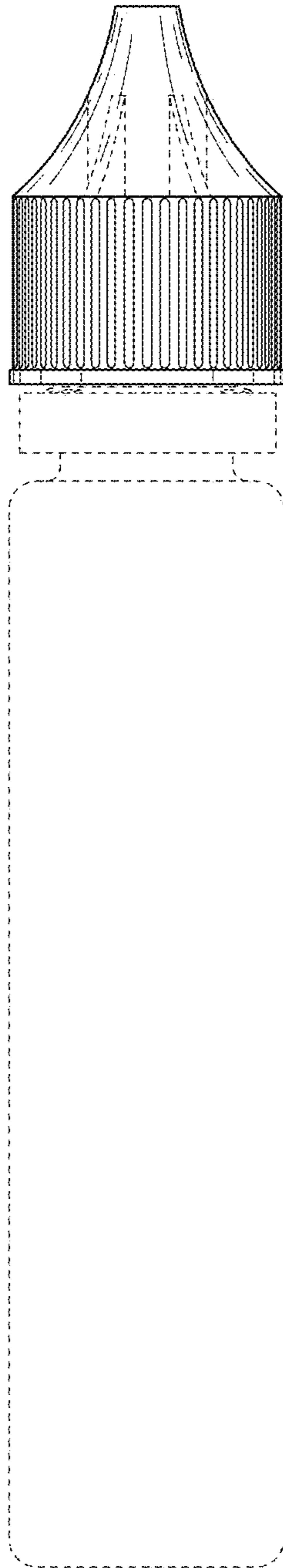


Fig. 11

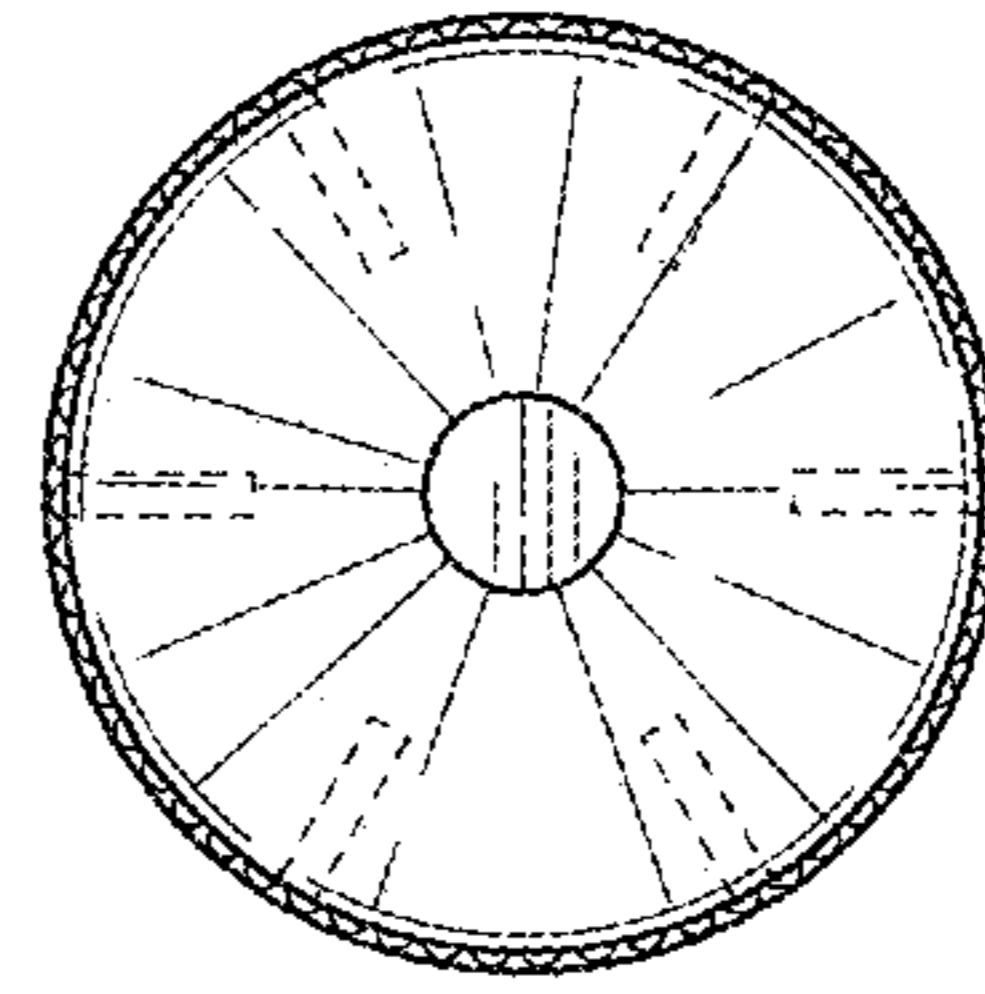


Fig. 12

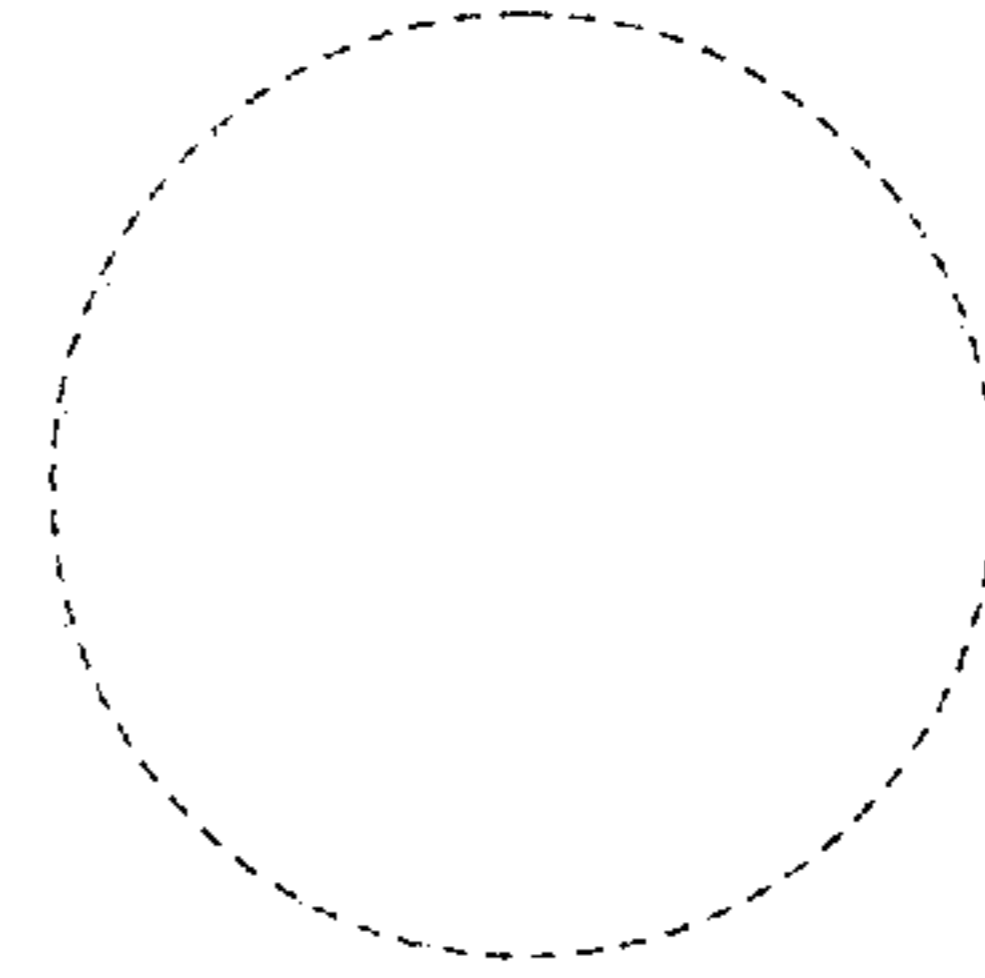


Fig. 13

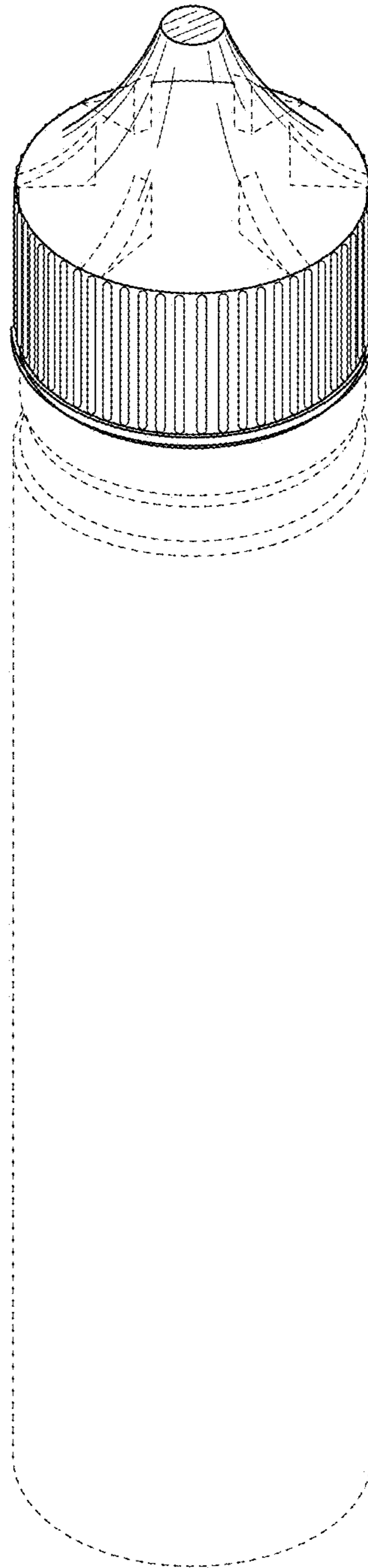


Fig. 14

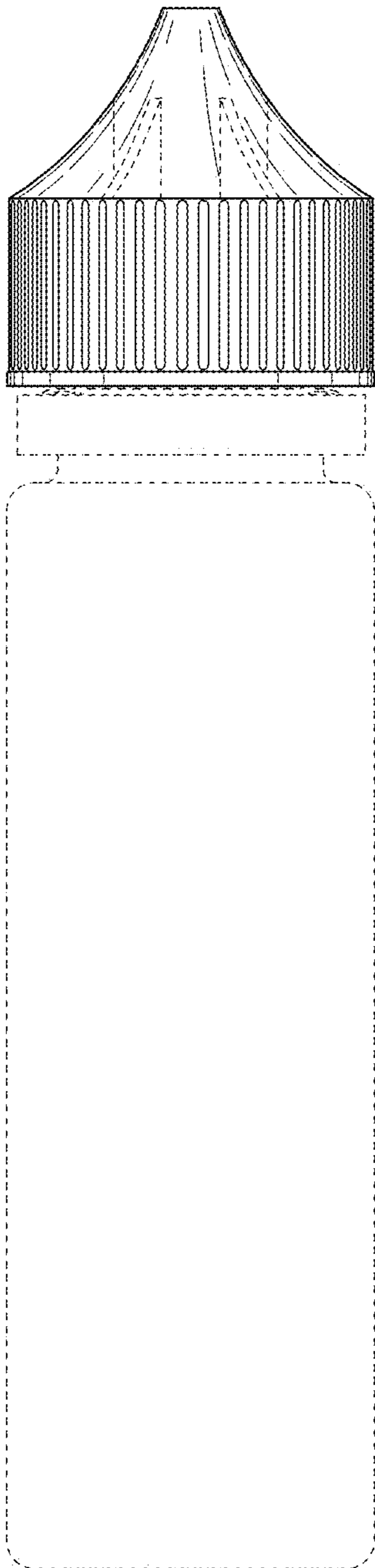


Fig. 15

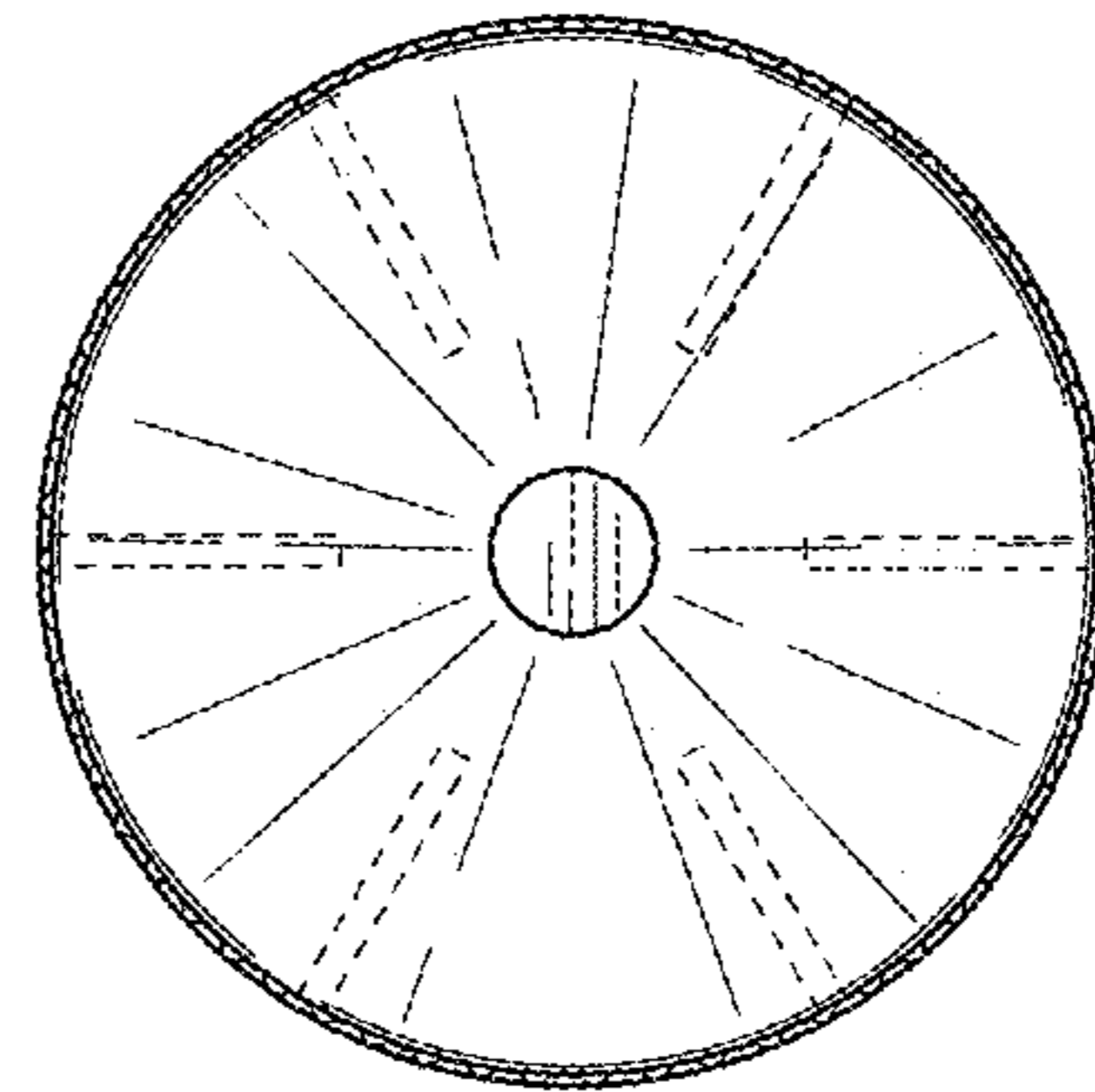


Fig. 16

