



US00D911169S

(12) **United States Design Patent** (10) **Patent No.:** **US D911,169 S**
Matauch (45) **Date of Patent:** **** Feb. 23, 2021**

(54) **BEVERAGE CAP**

(71) Applicant: **Flowdesign, Inc.**, Northville, MI (US)

(72) Inventor: **Daniel Matauch**, Northville, MI (US)

(73) Assignee: **Flowdesign, Inc.**, Northville, MI (US)

(**) Term: **15 Years**

(21) Appl. No.: **29/749,013**

(22) Filed: **Sep. 2, 2020**

Related U.S. Application Data

(63) Continuation of application No. 29/735,029, filed on May 18, 2020, which is a continuation of application No. 29/667,871, filed on Oct. 25, 2018, now Pat. No. Des. 884,472.

(51) **LOC (13) Cl.** **09-07**

(52) **U.S. Cl.**
USPC **D9/447; D7/392.1**

(58) **Field of Classification Search**
USPC D9/414, 424, 425, 428, 432, 434, 435, D9/436, 439, 440, 443-450, 452-457, D9/499, 503, 516, 682, 685, 686; D7/387, 391, 392, 392.1, 396.2, 510, 511, D7/538, 900; D3/202, 203.2; D28/91, D28/91.1
CPC .. A61J 1/00; A61J 1/1412; B65D 1/00; B65D 1/02; B65D 1/10; B65D 1/46; B65D 5/46; B65D 41/00; B65D 41/38; B65D 41/56; B65D 41/62; B65D 47/00; B65D 47/06; B65D 47/08; B65D 2251/00; B65D 2543/00046; B65D 2543/00092; B65D 2543/00296

See application file for complete search history.

(56) **References Cited**

U.S. PATENT DOCUMENTS

544,729	A *	8/1895	Harned	220/254.1
2,203,540	A *	6/1940	Montgomery	A23G 3/28 D7/610
2,753,051	A	7/1956	Tupper		
2,764,199	A	9/1956	Tupper		
2,802,499	A *	8/1957	Tupper	A47J 43/0727 D7/391
2,827,192	A *	3/1958	Warth	C08L 91/06 215/352
3,297,192	A	1/1967	Swett		
D210,196	S	2/1968	Greitzer		
3,410,436	A	11/1968	Foss		
D218,733	S	9/1970	Innvar		
3,858,747	A *	1/1975	Wharton	B65D 51/007 220/243

(Continued)

Primary Examiner — Wendy L Arminio

(74) *Attorney, Agent, or Firm* — Young Basile Hanlon & MacFarlane, P.C.

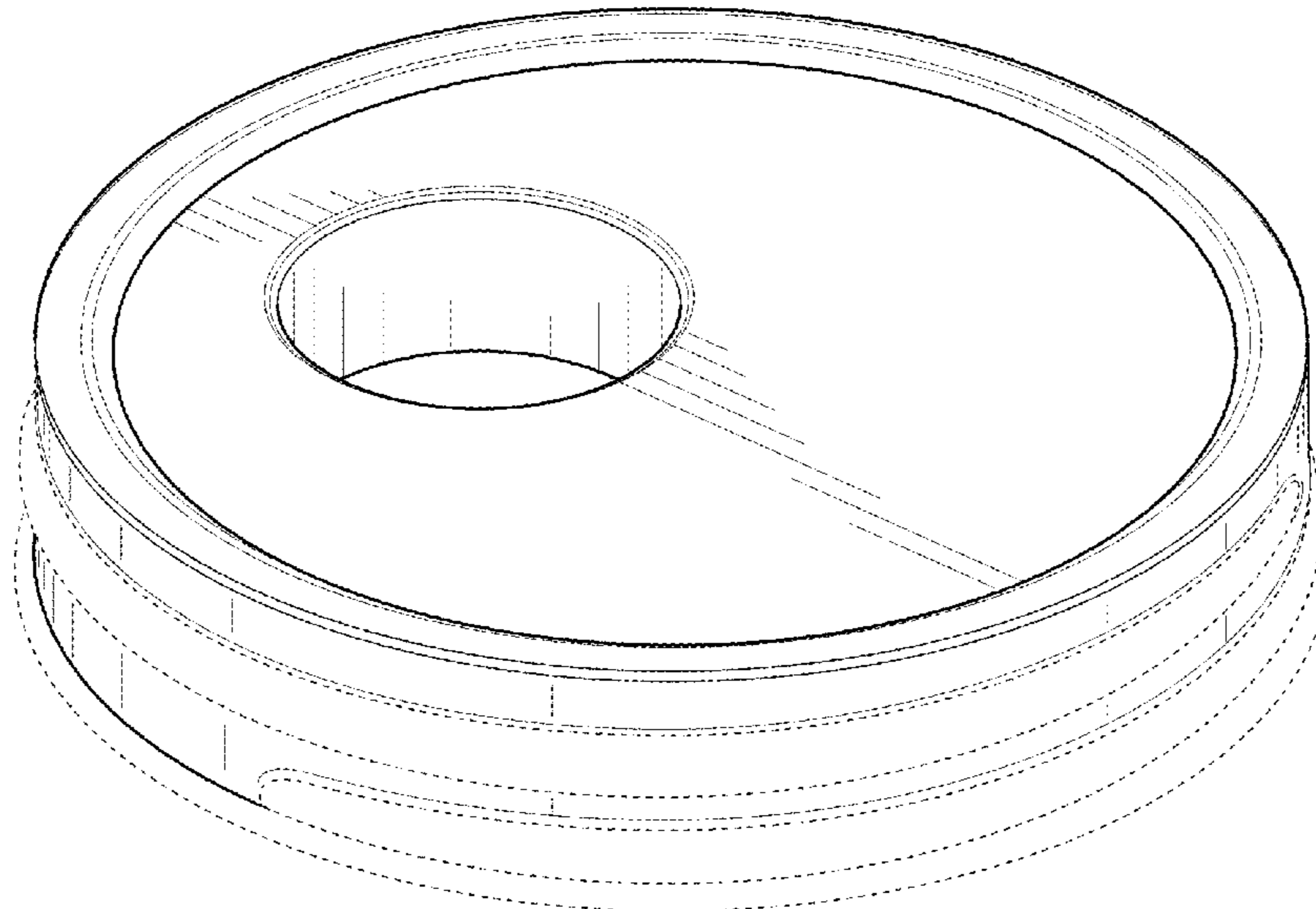
(57) **CLAIM**

The ornamental design for a beverage cap, as shown and described.

DESCRIPTION

FIG. 1 is a top perspective view of a beverage cap; FIG. 2 is a top view of the beverage cap of FIG. 1; FIG. 3 is a side view of the beverage cap of FIG. 1; FIG. 4 is a bottom perspective view of the beverage cap of FIG. 1; FIG. 5 is a top perspective view of the beverage cap of FIG. 1 coupled to an unclaimed bottle drawn in broken lines and with an unclaimed spout drawn in broken lines shown coupled to the beverage cap; and, FIG. 6 is a top perspective view of the beverage cap of FIG. 1 shown coupled to an unclaimed bottle drawn in broken lines. The broken lines in FIGS. 1-6 depict environment and form no part of the claimed design.

1 Claim, 5 Drawing Sheets



(56)

References Cited

U.S. PATENT DOCUMENTS

4,700,861 A * 10/1987 Neward B67D 3/00
141/46
D315,872 S 4/1991 Bixler
5,346,088 A 9/1994 Brimo, II
5,415,309 A 5/1995 Wang
D359,687 S 6/1995 Arshinoff
5,706,974 A 1/1998 Murdick et al.
5,797,509 A 8/1998 Fitch
5,868,323 A 2/1999 Cantor
D415,027 S * 10/1999 Blazar D9/447
D442,864 S * 5/2001 Davies D9/454
D502,052 S * 2/2005 Meade D7/396.2
D518,728 S * 4/2006 Frantz D9/454
D565,412 S 4/2008 Fuller
D588,002 S 3/2009 D'Amato
D600,552 S 9/2009 Subotic
D602,355 S * 10/2009 Waaland D9/447
D644,062 S * 8/2011 Lorenz D7/396.2
D655,605 S 3/2012 Baughman
D680,369 S * 4/2013 Starks D7/392.1
D704,510 S * 5/2014 Mason D7/510
8,757,421 B2 6/2014 Yang et al.
8,887,968 B1 * 11/2014 Call B65D 47/06
222/568
D723,917 S * 3/2015 Koffel D9/447
D751,902 S * 3/2016 Sturk D9/447

D752,976 S * 4/2016 Koffel D9/447
D786,071 S 5/2017 Miller
D804,305 S 12/2017 White
D807,171 S 1/2018 Miller
D810,567 S 2/2018 Brovar
D836,440 S * 12/2018 Girins D9/453
D855,389 S 8/2019 Waggoner et al.
D867,058 S * 11/2019 Spivey D7/392.1
10,633,150 B2 * 4/2020 Webber B65D 47/06
D883,709 S * 5/2020 Horiuchi D6/542
D884,472 S 5/2020 Matauch
D885,826 S * 6/2020 Mosebrook D7/392.1
D887,774 S * 6/2020 Matauch D7/392.1
D896,026 S * 9/2020 Chu D7/396.2
2002/0008109 A1 1/2002 Hirota et al.
2003/0178433 A1 9/2003 Adams
2008/0197099 A1 * 8/2008 Pawlick B65D 49/00
215/14
2011/0259846 A1 * 10/2011 Diegel B65D 47/046
215/387
2012/0181307 A1 * 7/2012 Grosser B65D 47/06
222/478
2015/0076104 A1 3/2015 Sleenbos
2015/0274384 A1 * 10/2015 Goldstein B65D 47/32
222/1
2016/0009466 A1 1/2016 Hasegawa
2017/0296988 A1 10/2017 Waggoner et al.
2017/0333893 A1 * 11/2017 Ziegler B65D 43/0225
2017/0361999 A1 12/2017 Lambrecht et al.

* cited by examiner

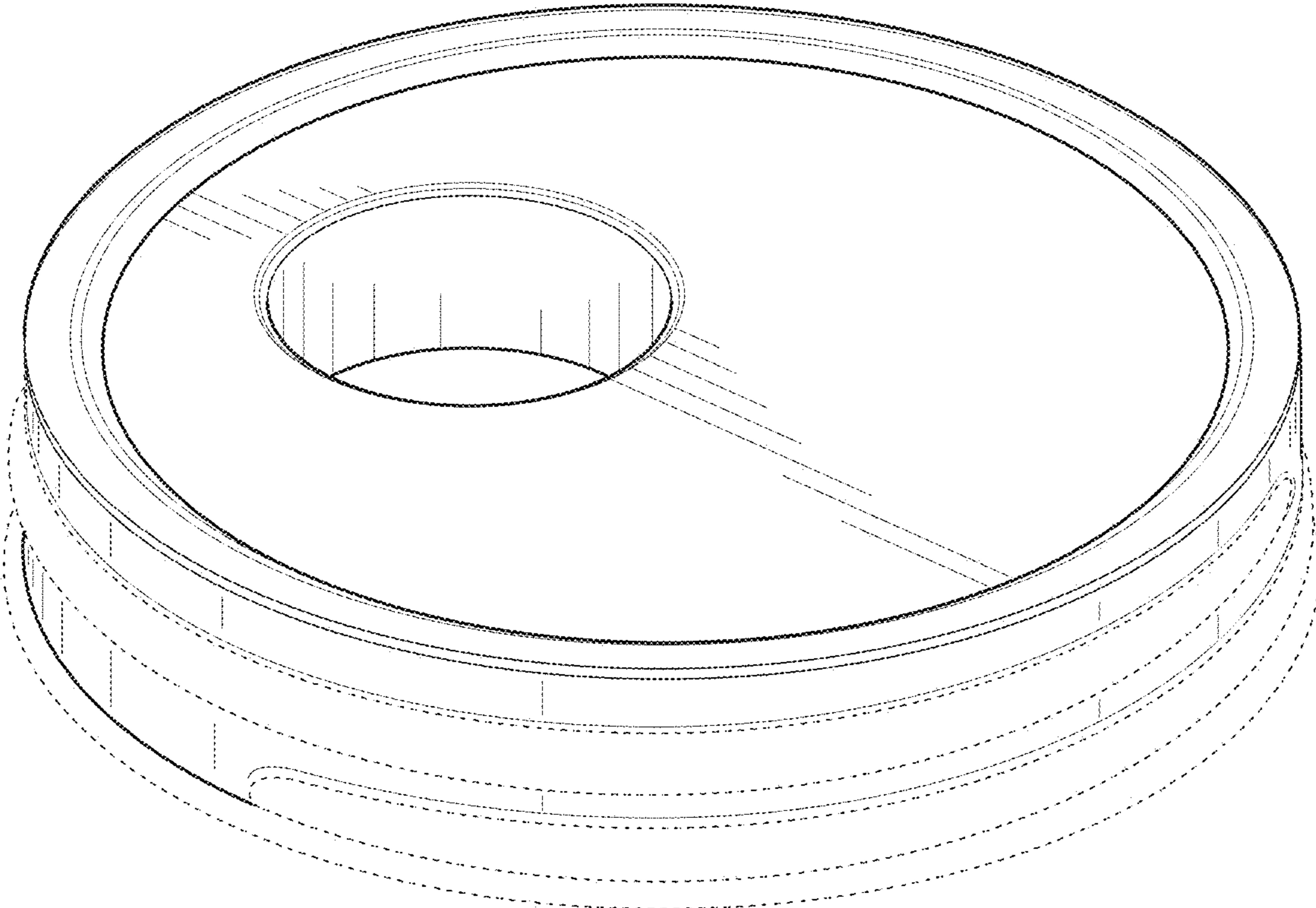


FIG. 1

FIG. 2

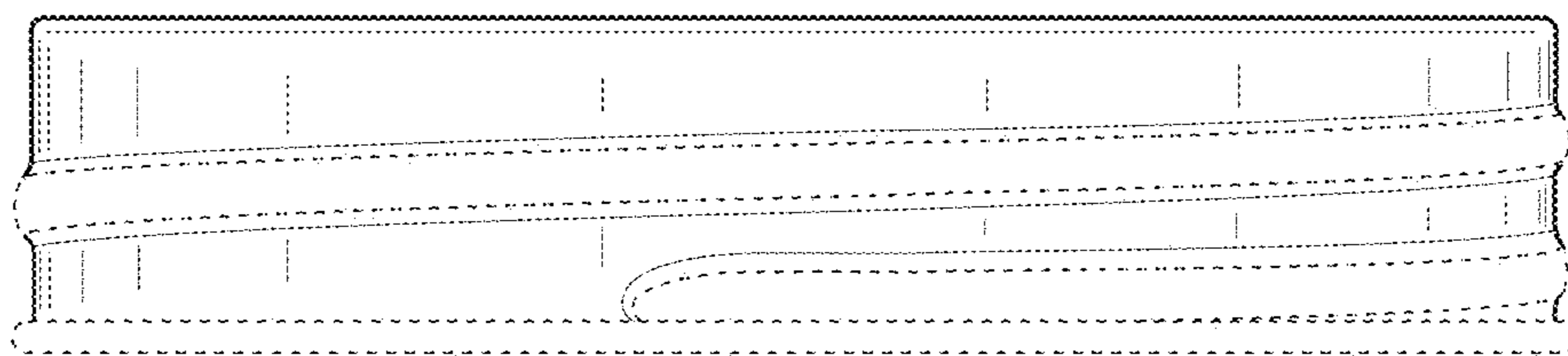
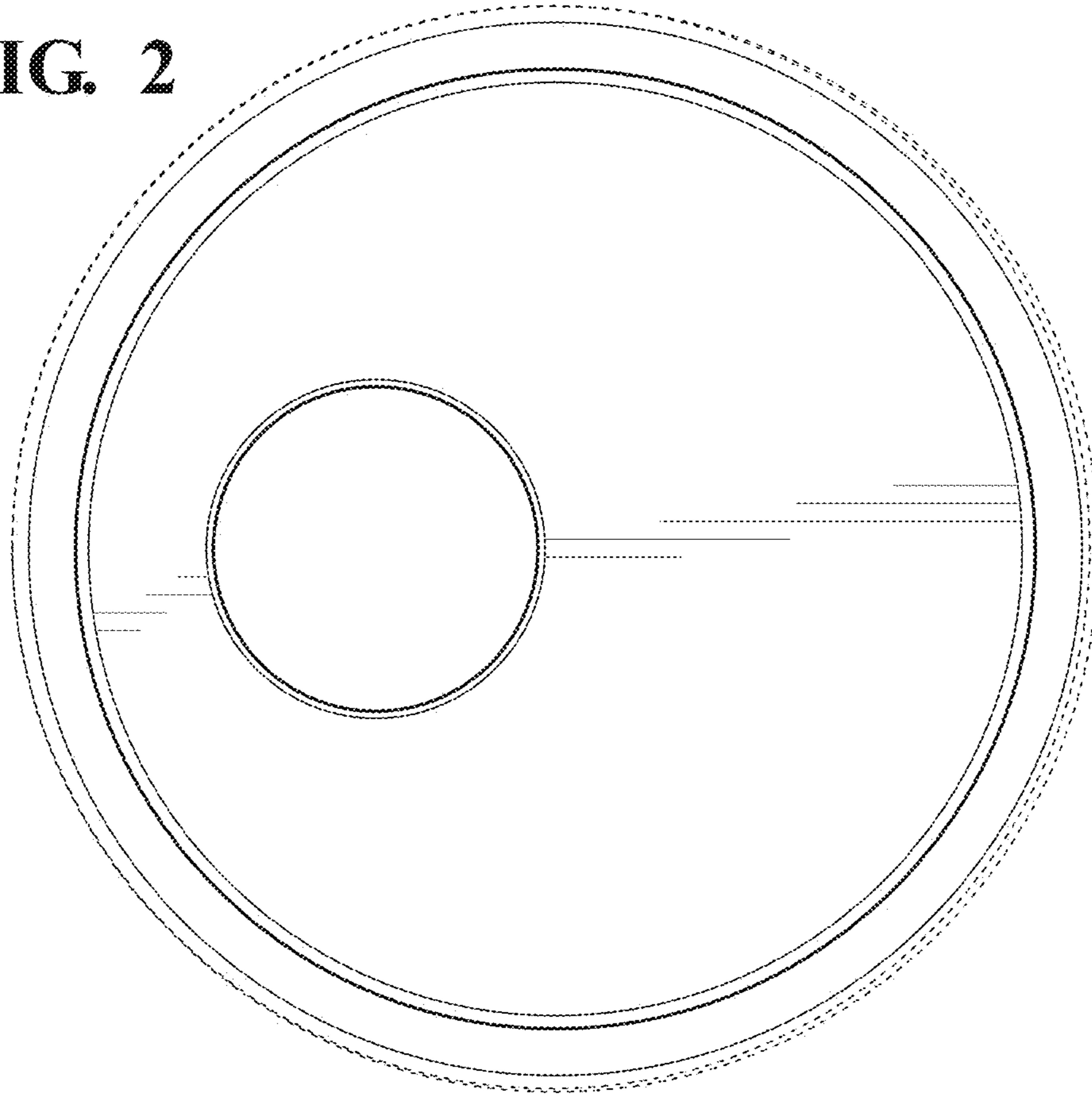


FIG. 3

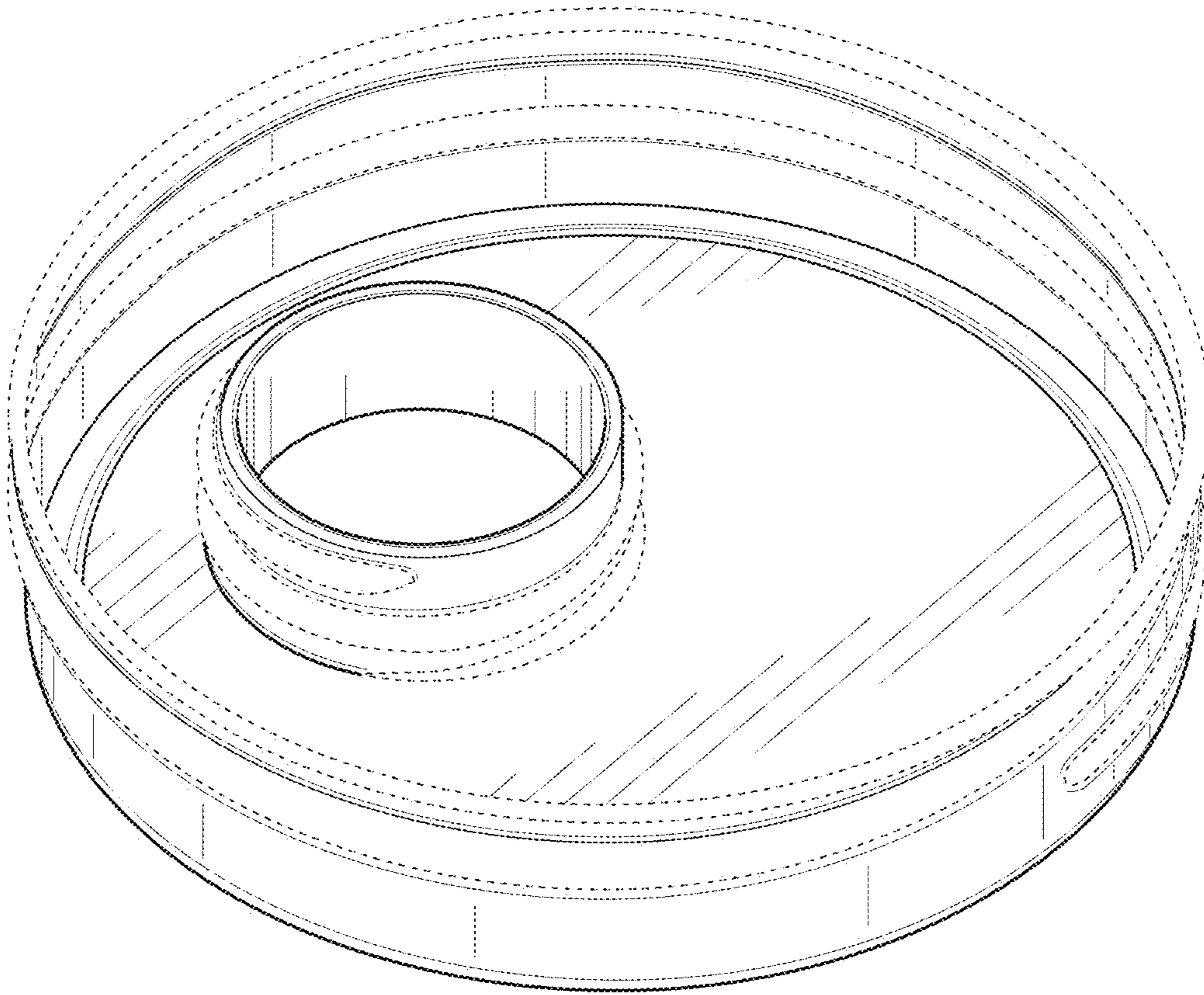


FIG. 4

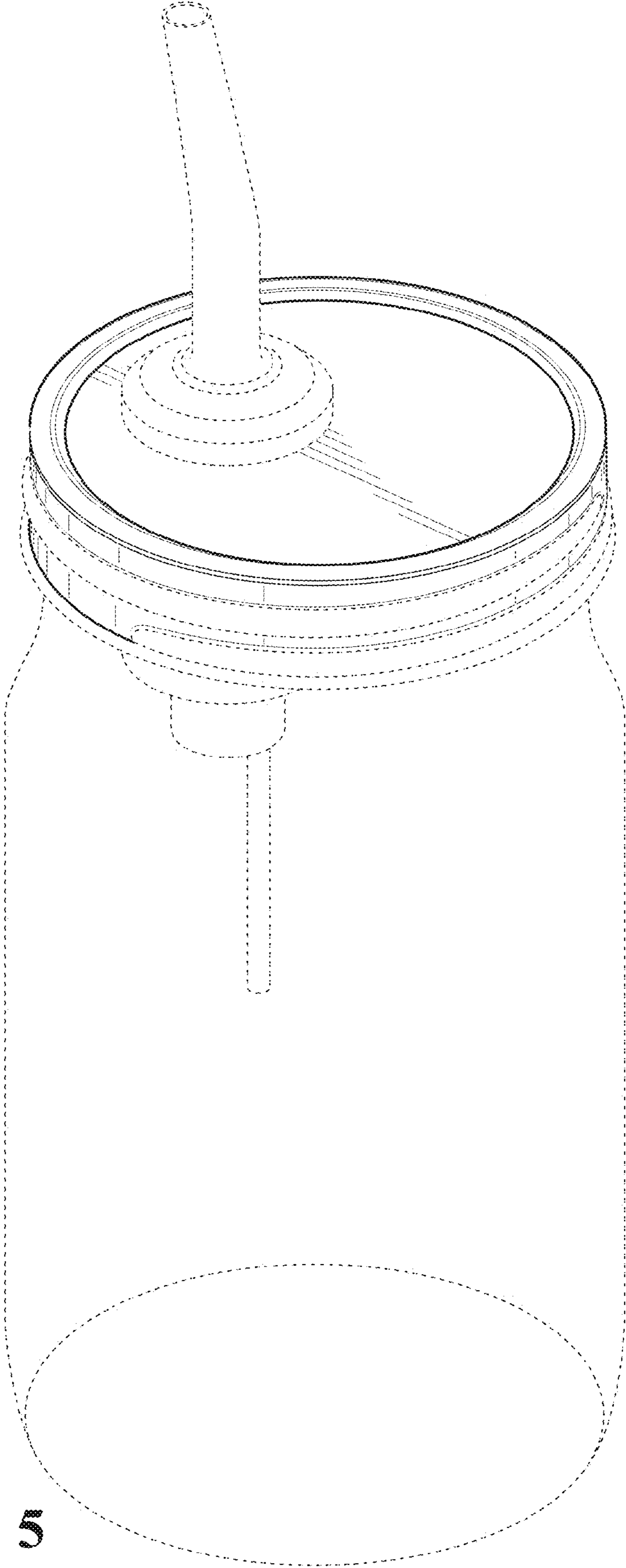


FIG. 5

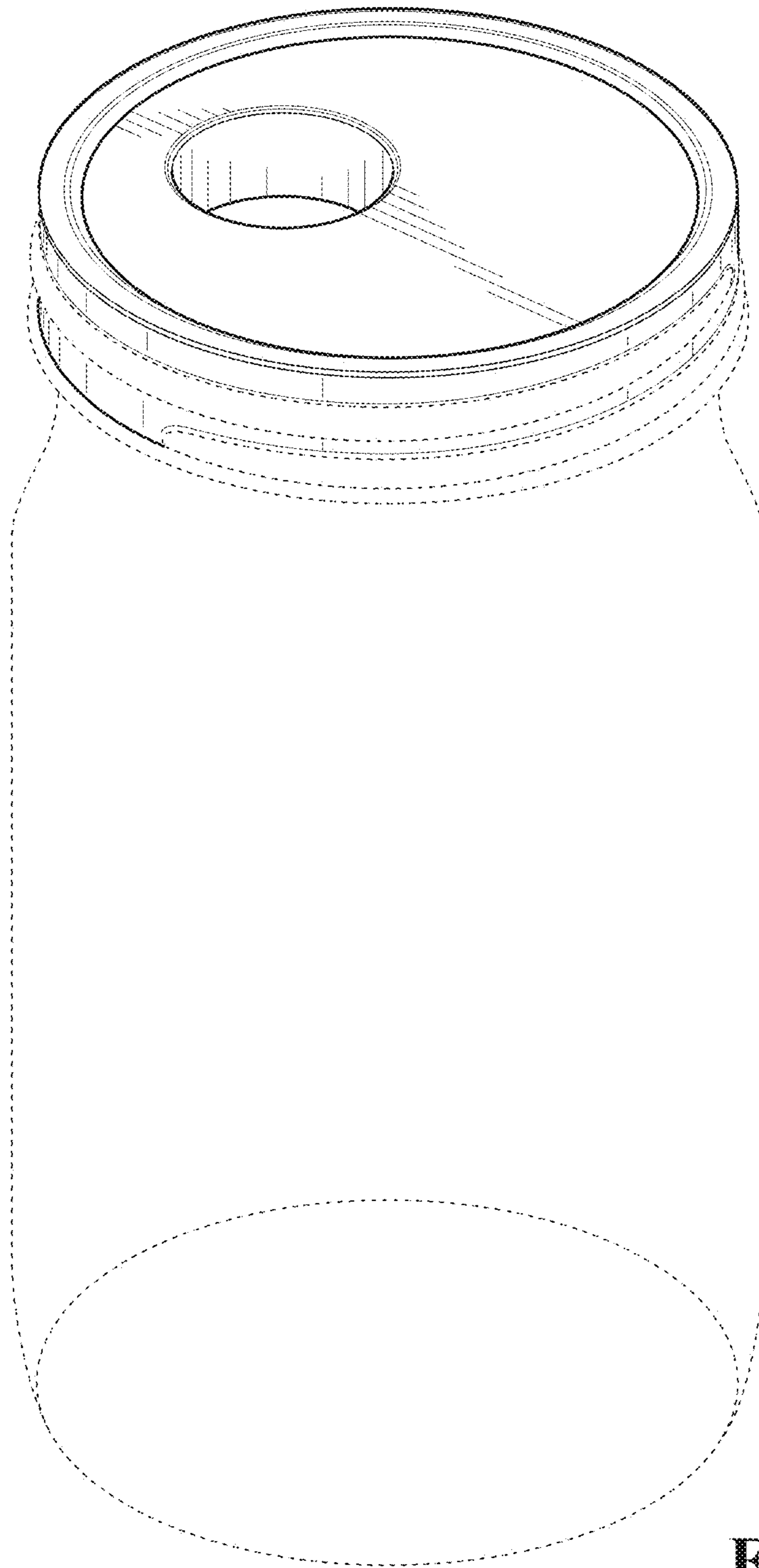


FIG. 6