



US00D911167S

(12) **United States Design Patent** (10) **Patent No.:** **US D911,167 S**
Tsai et al. (45) **Date of Patent:** **** Feb. 23, 2021**

- (54) **CHILD-RESISTANT PACKAGING**
- (71) Applicant: **Denali Innovations, LLC**, City of Industry, CA (US)
- (72) Inventors: **Mike Tsai**, Chino Hills, CA (US); **Frank Tsai**, Walnut, CA (US)
- (73) Assignee: **Denali Innovations, LLC**, City of Industry, CA (US)
- (**) Term: **15 Years**
- (21) Appl. No.: **29/722,791**
- (22) Filed: **Jan. 31, 2020**

Related U.S. Application Data

- (63) Continuation-in-part of application No. 29/663,759, filed on Sep. 18, 2018, now Pat. No. Des. 878,196.
- (51) **LOC (13) Cl.** **09-03**
- (52) **U.S. Cl.**
USPC **D9/432; D9/433**
- (58) **Field of Classification Search**
USPC D9/414-423, 430-433, 434, 456, 457, D9/711, 713, 721-722, 737-756, 758, D9/759, 760; D20/10, 22, 27, 40, 42
(Continued)

(56) **References Cited**

U.S. PATENT DOCUMENTS

- 792,104 A * 6/1905 Woerner B65D 83/0481
206/540
- 2,426,911 A * 9/1947 Williamson B65D 5/38
229/122

(Continued)

OTHER PUBLICATIONS

Kinder-Safe Denali Innovations Cannabis Packaging. [online] Retrieved Nov. 3, 2020 from URL: <https://www.denali-innovations.com/kinder-safe>.*

(Continued)

Primary Examiner — Vy N Koenig
(74) *Attorney, Agent, or Firm* — Kevin Schraven; Anooj Patel; Hankin Patent Law, APC

(57) **CLAIM**

The ornamental design for a child-resistant packaging, as shown and described.

DESCRIPTION

FIG. 1 is a top perspective view of a child-resistant packaging showing our new design in a closed configuration in which the tray component is inside the sleeve component. FIG. 2 is a top plan view thereof. FIG. 3 is a bottom plan view thereof. FIG. 4 is a front elevational view thereof. FIG. 5 is a rear elevational view thereof. FIG. 6 is a left side elevational view thereof. FIG. 7 is a right side elevational view thereof. FIG. 8 is a top perspective view of the child-resistant container of FIG. 1 showing our new design in which the tray component is separated from the sleeve component. FIG. 9 is a top plan view thereof. FIG. 10 is a bottom plan view thereof. FIG. 11 is a front elevational view thereof. FIG. 12 is a rear elevational view thereof. FIG. 13 is a left side elevational view thereof. FIG. 14 is a right side elevational view thereof. FIG. 15 is a top perspective view of the sleeve component of the child-resistant container of FIG. 1 in an unfolded configuration, shown separately to reveal aspects of the design that may not be apparent in other views. FIG. 16 is a top plan view thereof. FIG. 17 is a bottom plan view thereof. FIG. 18 is a front elevational view thereof. FIG. 19 is a rear elevational view thereof. FIG. 20 is a left side elevational view thereof. FIG. 21 is a right side elevational view thereof. FIG. 22 is a top perspective view of the tray component of the child-resistant container of FIG. 1, shown separately to reveal aspects of the design that may not be apparent in other views. FIG. 23 is a top plan view thereof. FIG. 24 is a bottom plan view thereof.

(Continued)

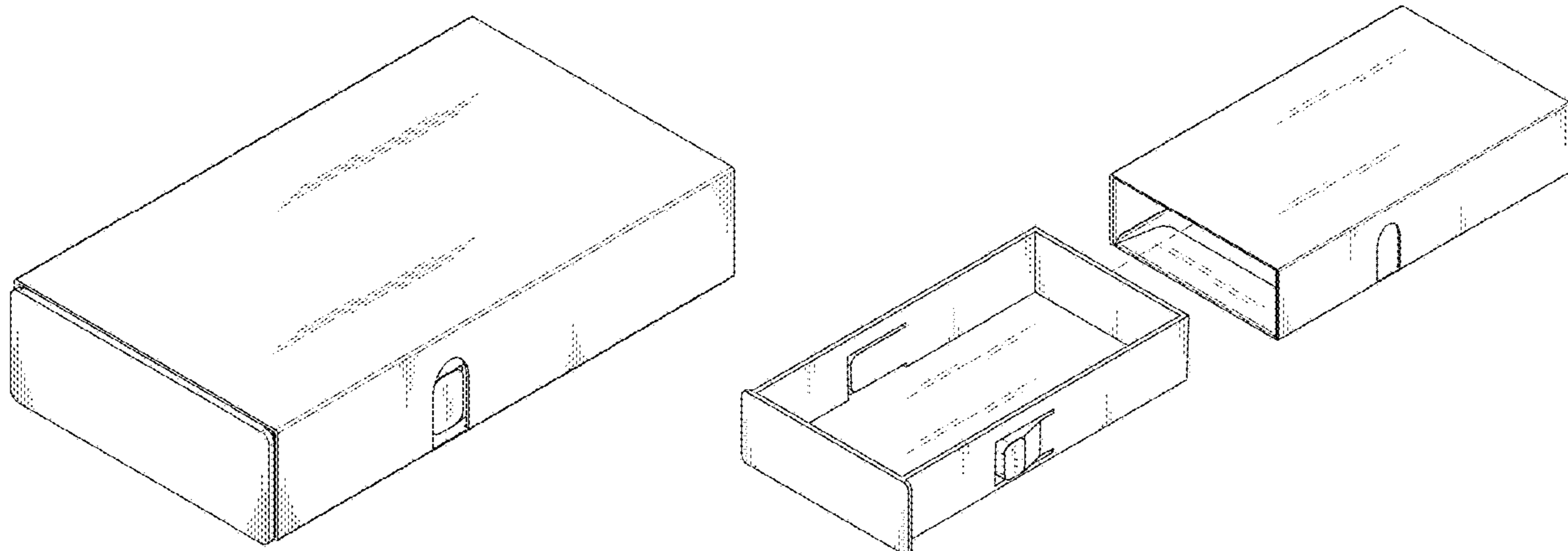


FIG. 25 is a front elevational view thereof.
 FIG. 26 is a rear elevational view thereof.
 FIG. 27 is a left side elevational view thereof; and,
 FIG. 28 is a right side elevational view thereof.
 The broken lines in the drawings depict fold lines and form part of the claimed design.

1 Claim, 20 Drawing Sheets

(58) **Field of Classification Search**

CPC ... B65D 5/00; B65D 5/02; B65D 5/18; B65D 5/20; B65F 5/00

See application file for complete search history.

(56) **References Cited**

U.S. PATENT DOCUMENTS

| | | | | | |
|-----------|------|---------|---------|-------|-------------|
| 3,888,350 | A * | 6/1975 | Horvath | | B65D 50/045 |
| | | | | | 206/531 |
| 4,561,544 | A * | 12/1985 | Reeve | | B65D 11/12 |
| | | | | | 206/1.5 |
| 4,844,284 | A * | 7/1989 | Drozd | | B65D 50/045 |
| | | | | | 220/281 |
| 6,641,031 | B2 * | 11/2003 | Evans | | B65D 5/38 |
| | | | | | 206/532 |

| | | | | | |
|--------------|------|---------|------------|-------|--------------|
| D559,101 | S * | 1/2008 | Polloni | | D9/433 |
| D576,873 | S * | 9/2008 | Kim | | D9/418 |
| 9,475,605 | B2 * | 10/2016 | Everett | | B65D 5/38 |
| D842,099 | S * | 3/2019 | Sotka | | D9/433 |
| D878,196 | S * | 3/2020 | Tsai | | D9/432 |
| D878,197 | S * | 3/2020 | Griffin | | D9/432 |
| 2004/0099565 | A1 * | 5/2004 | Dehlin | | B65D 50/046 |
| | | | | | 206/536 |
| 2009/0152134 | A1 * | 6/2009 | Katsis | | A24F 27/00 |
| | | | | | 206/96 |
| 2011/0245059 | A1 * | 10/2011 | Olvey | | B65D 19/0012 |
| | | | | | 493/383 |
| 2017/0217658 | A1 * | 8/2017 | Whitehurst | | B65D 5/38 |
| 2018/0029784 | A1 * | 2/2018 | Paradiso | | B65D 5/6688 |
| 2019/0201285 | A1 * | 7/2019 | Warden | | A61J 7/0084 |
| 2020/0087020 | A1 * | 3/2020 | Tsai | | B65D 5/4266 |
| 2020/0087021 | A1 * | 3/2020 | Tsai | | B65D 50/045 |

OTHER PUBLICATIONS

Denali Kinder-Safe Child-Resistant Compliant Packaging. [online] Published on Dec. 4, 2019. Retrieved Nov. 3, 2020 from URL: <https://www.packworld.com/home/product/21104542/denali-denali-kindersafe-childresistant-compliant-packaging-for-the-cannabis-industry>.*
 HippoChildResistantFlyer V3. [online] Retrieved Nov. 3, 2020 from URL: <https://www.hippopackaging.com/products>.*

* cited by examiner

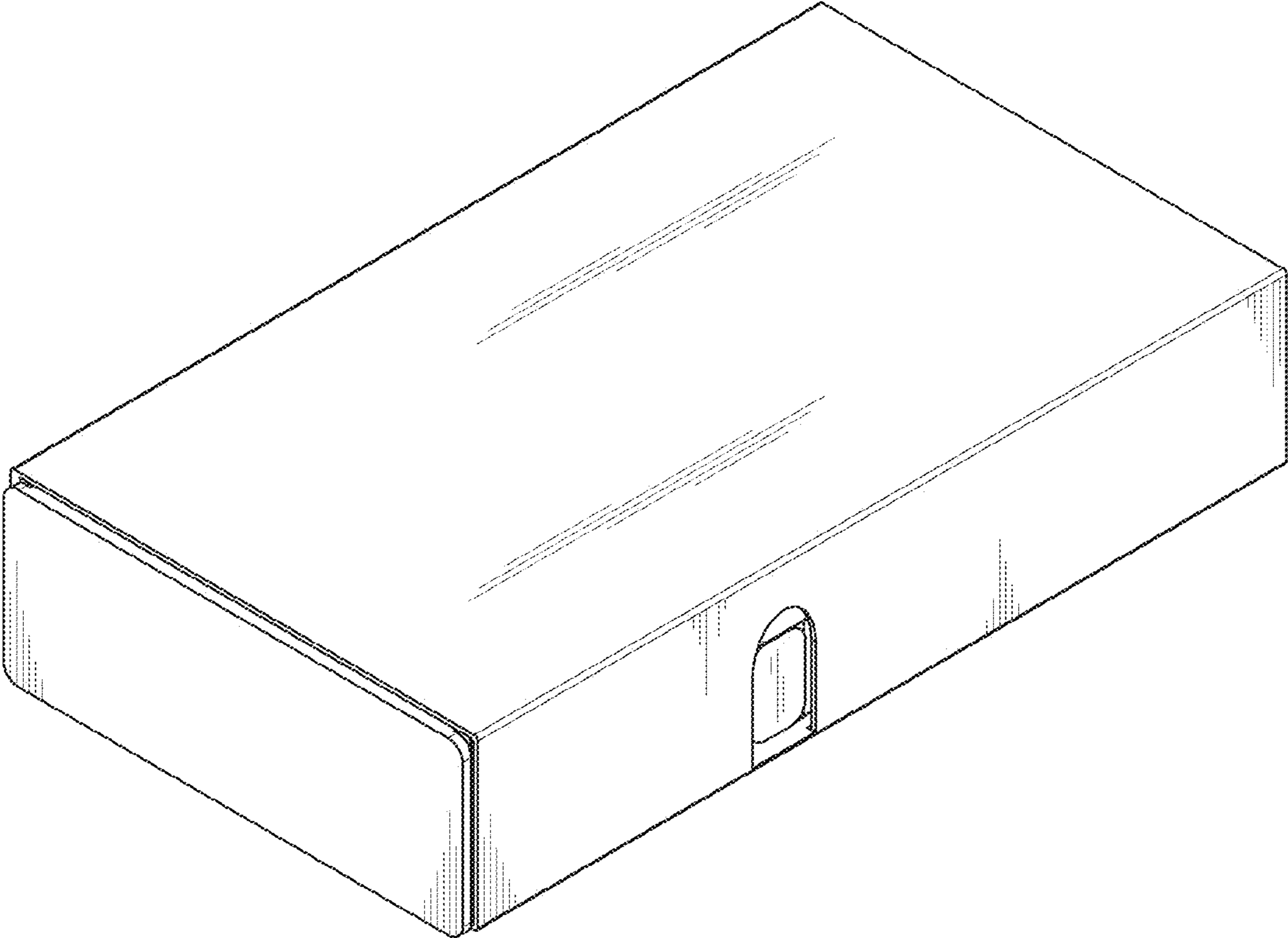


FIG. 1



FIG. 2

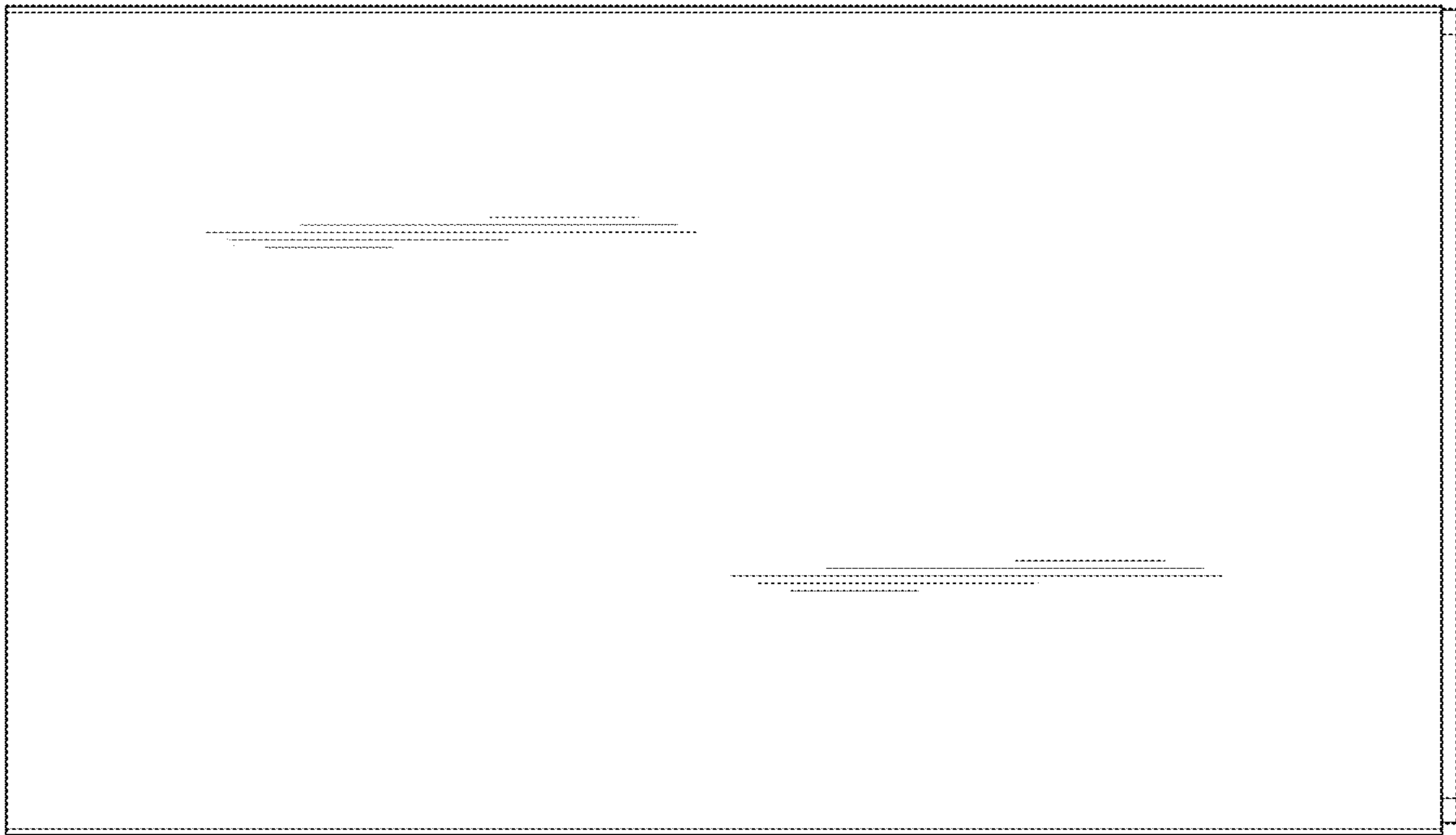


FIG. 3

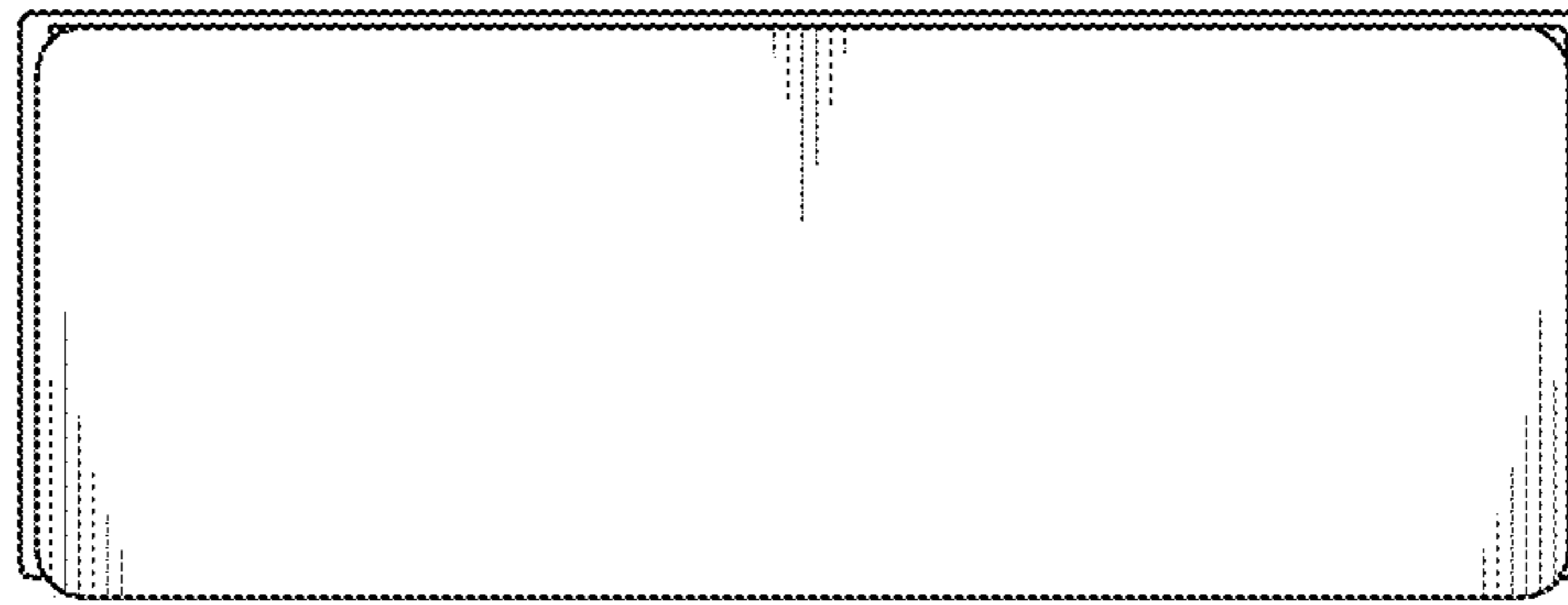


FIG. 4



FIG. 5

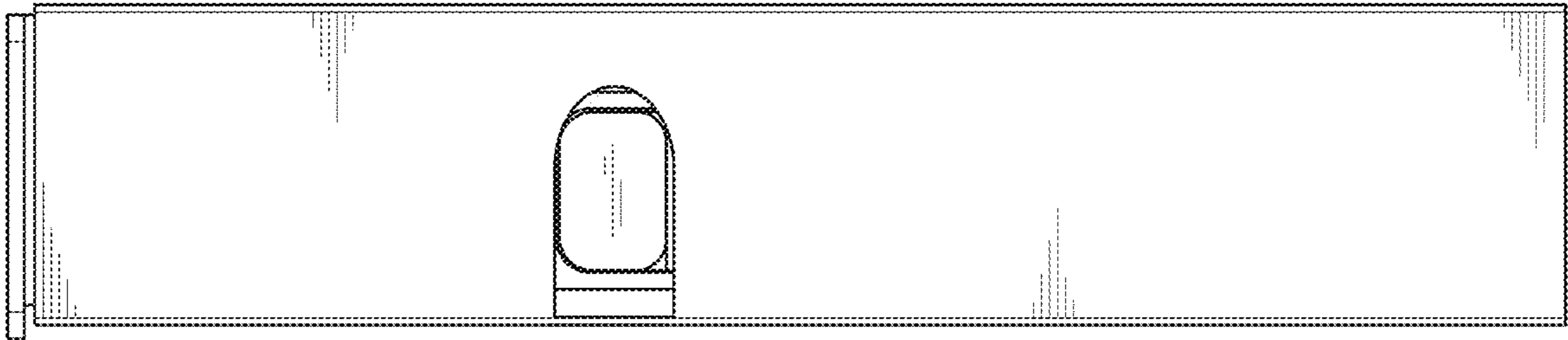


FIG. 6

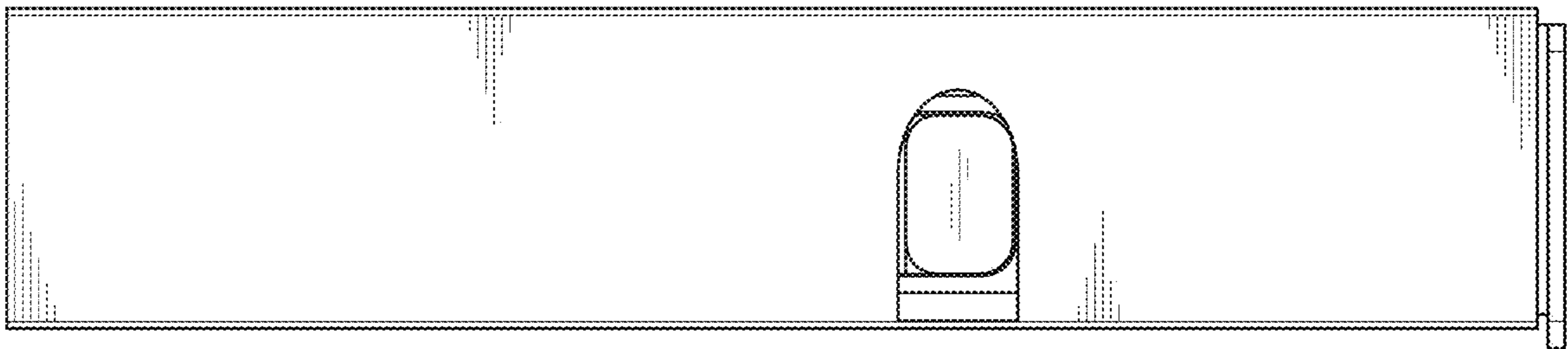


FIG. 7

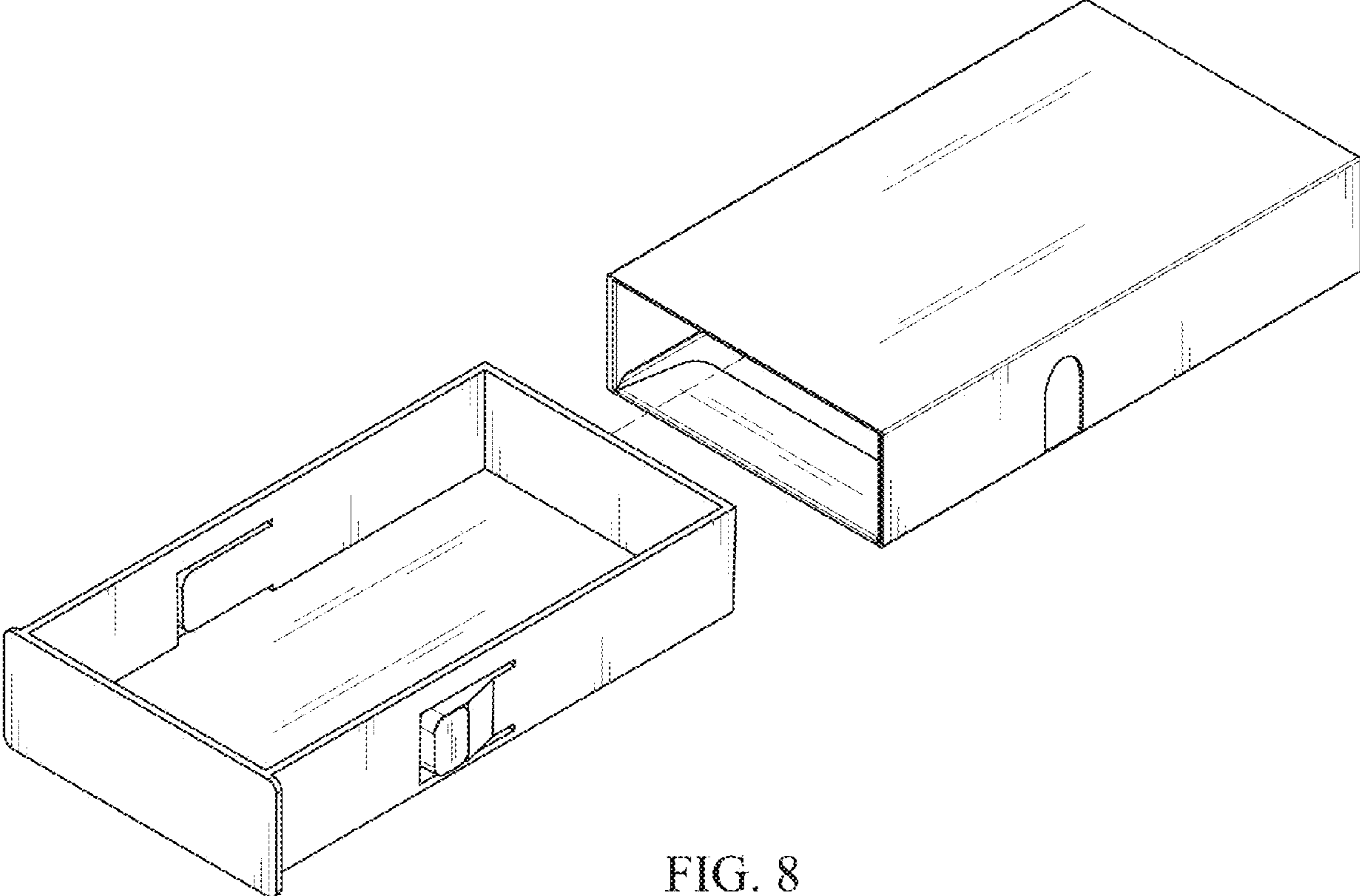


FIG. 8

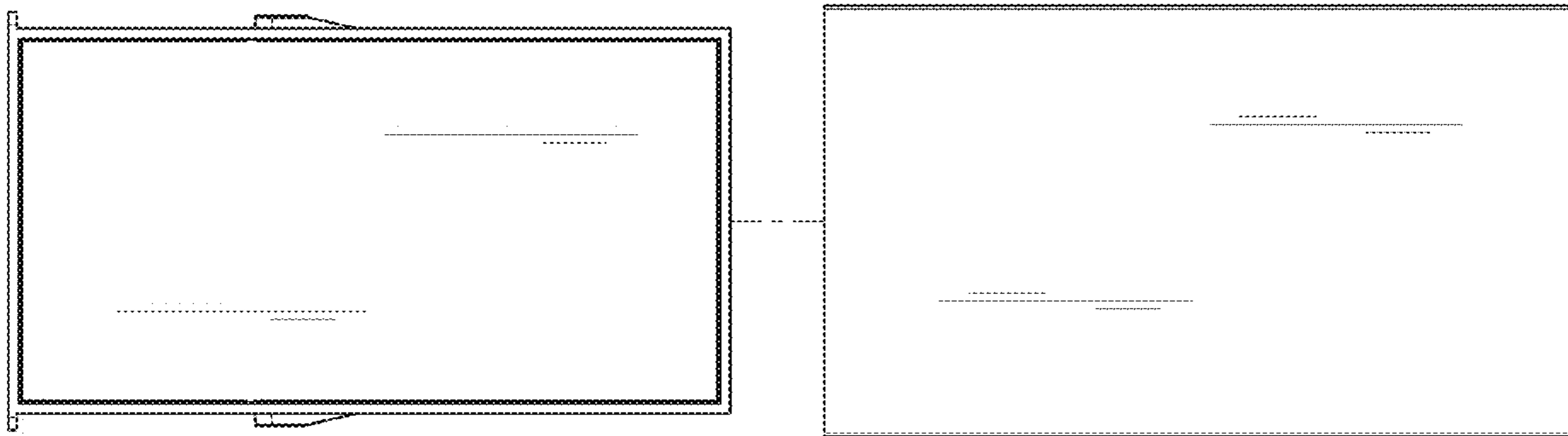


FIG. 9

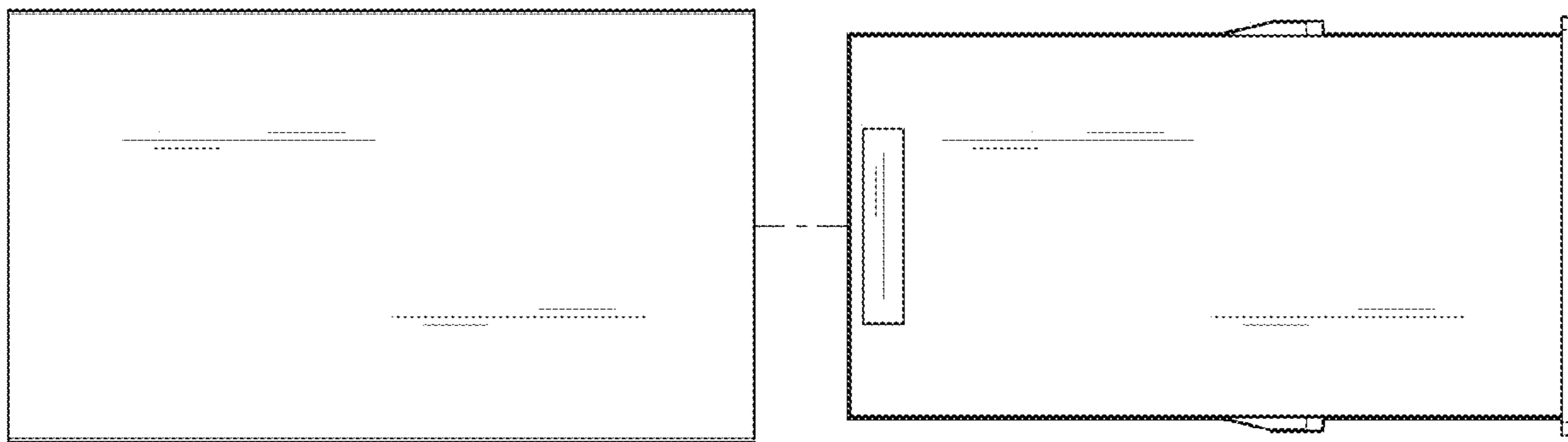


FIG. 10

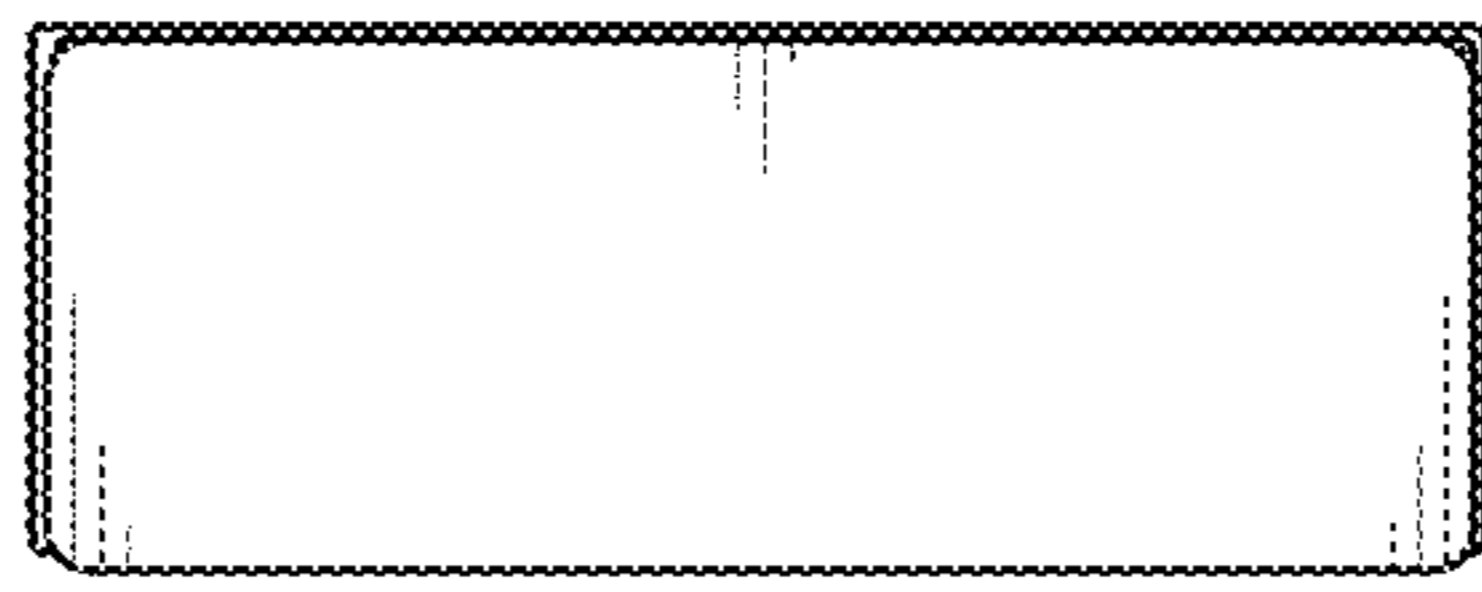


FIG. 11

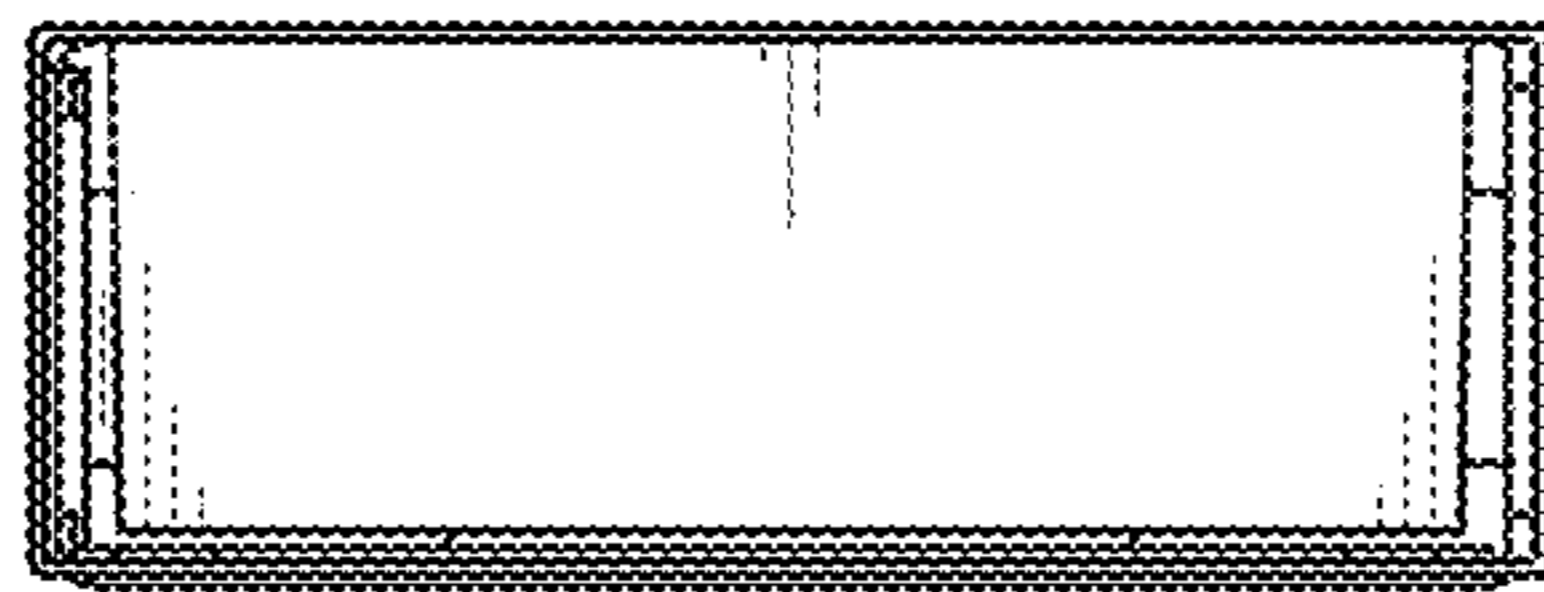


FIG. 12

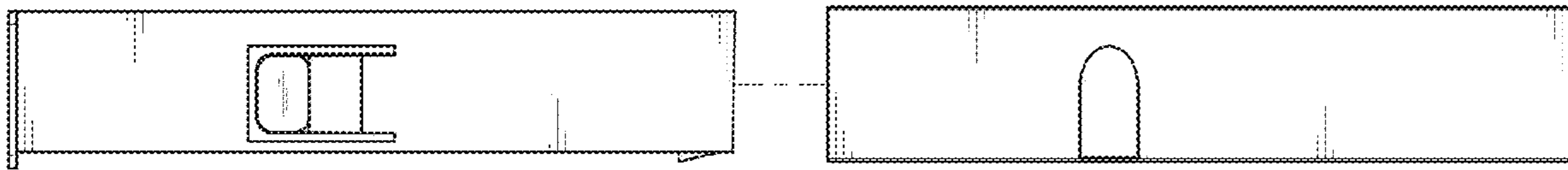


FIG. 13

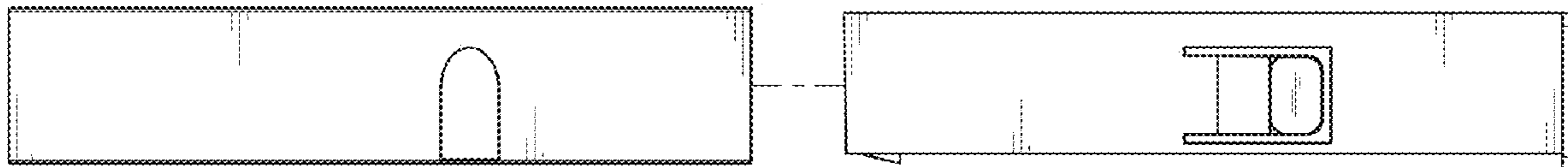


FIG. 14

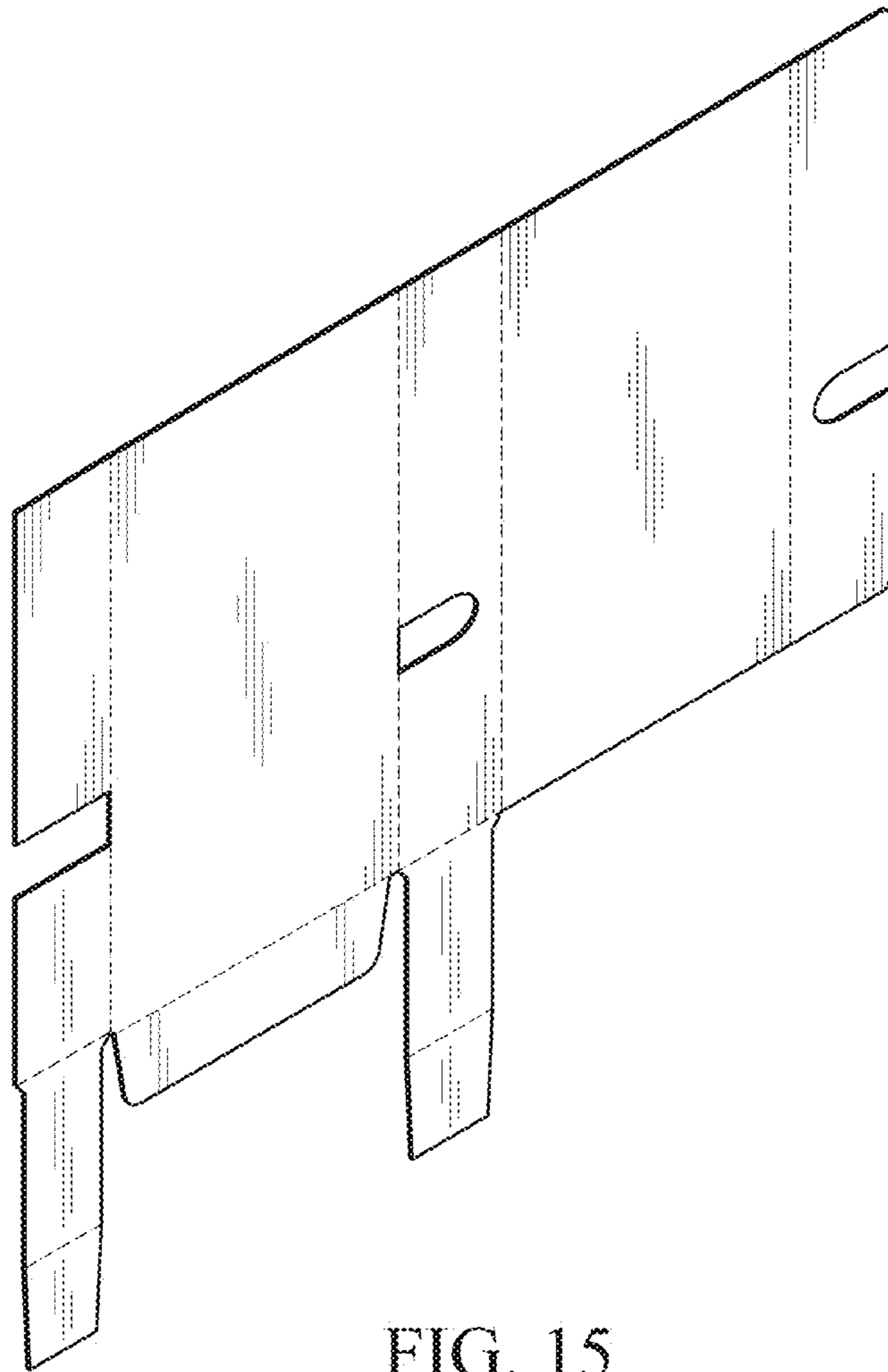


FIG. 15

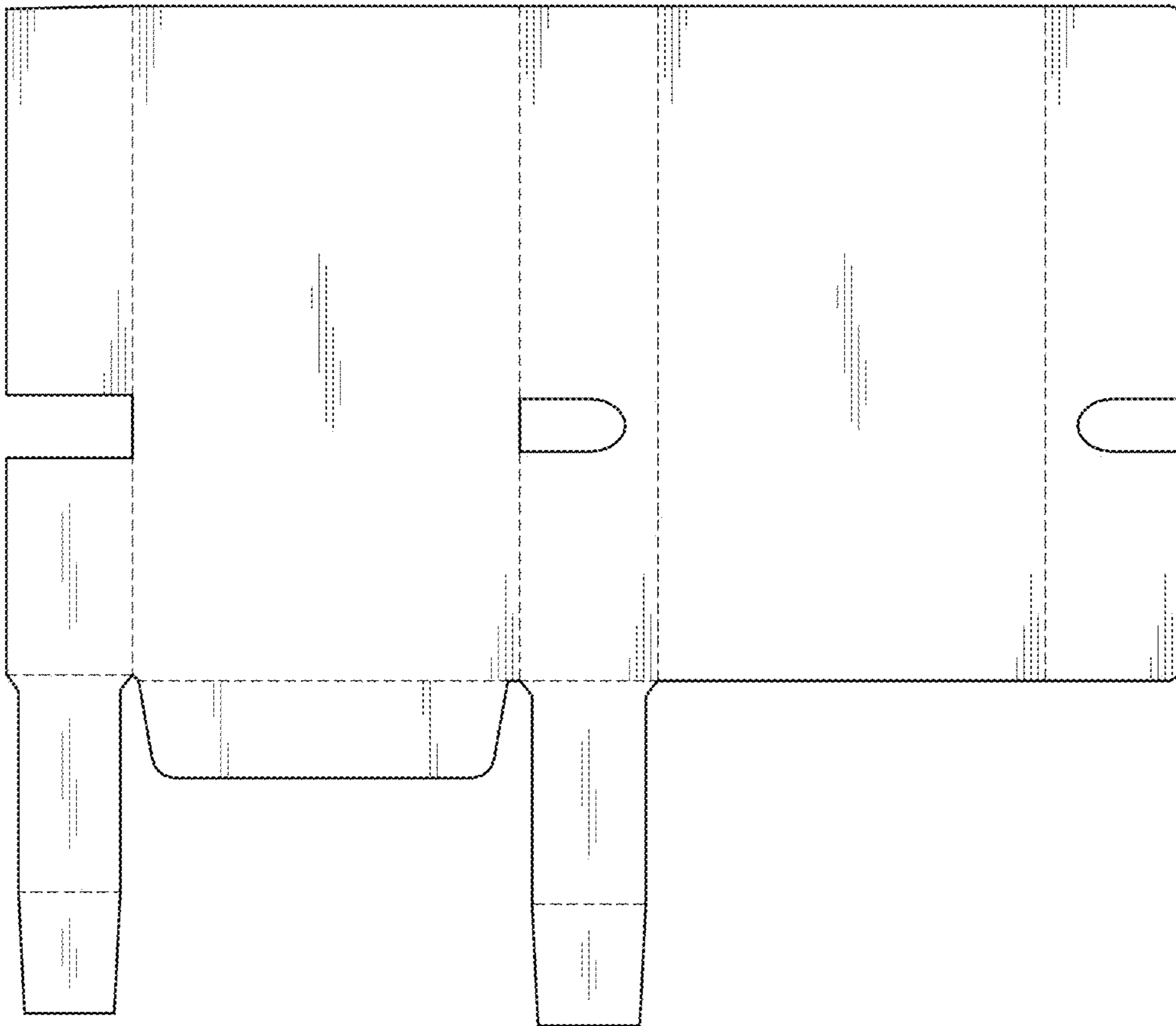


FIG. 16

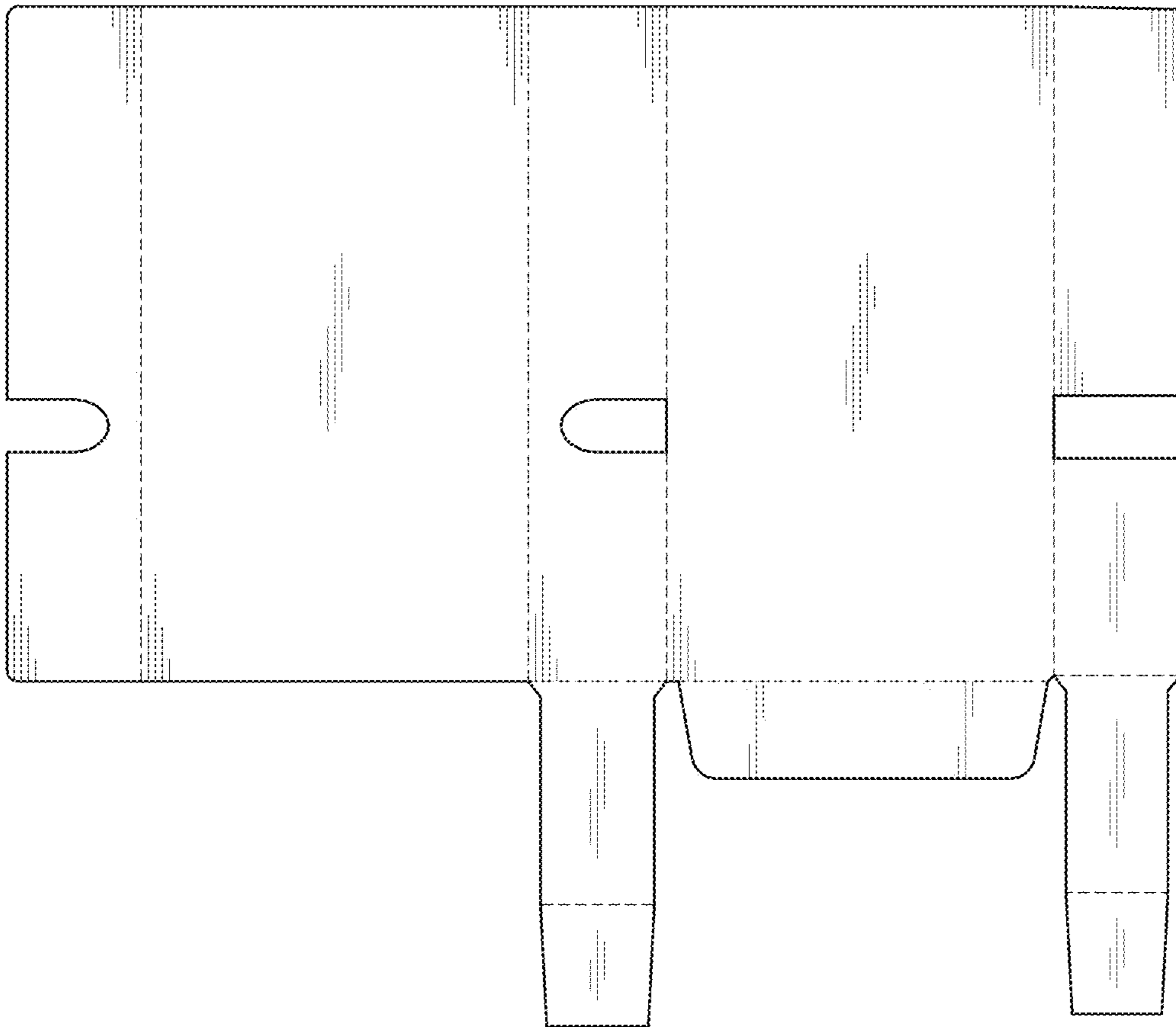


FIG. 17

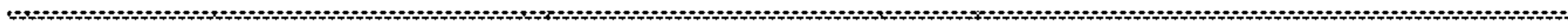


FIG. 18

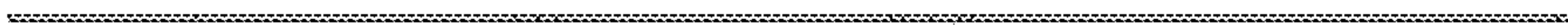


FIG. 19

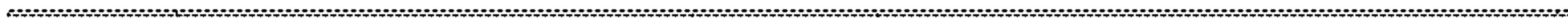


FIG. 20

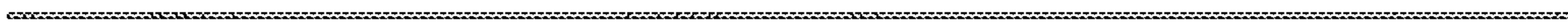


FIG. 21

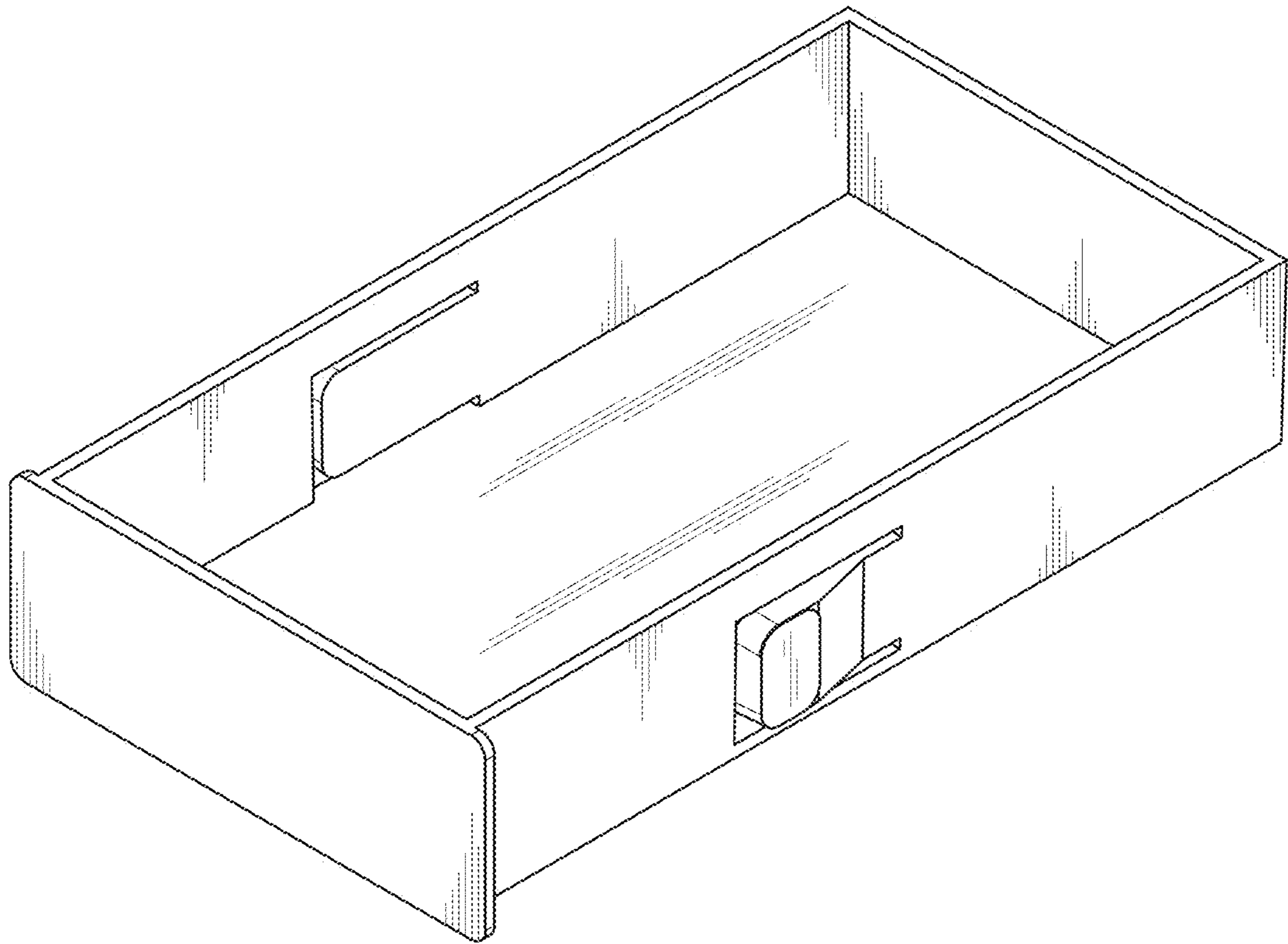


FIG. 22

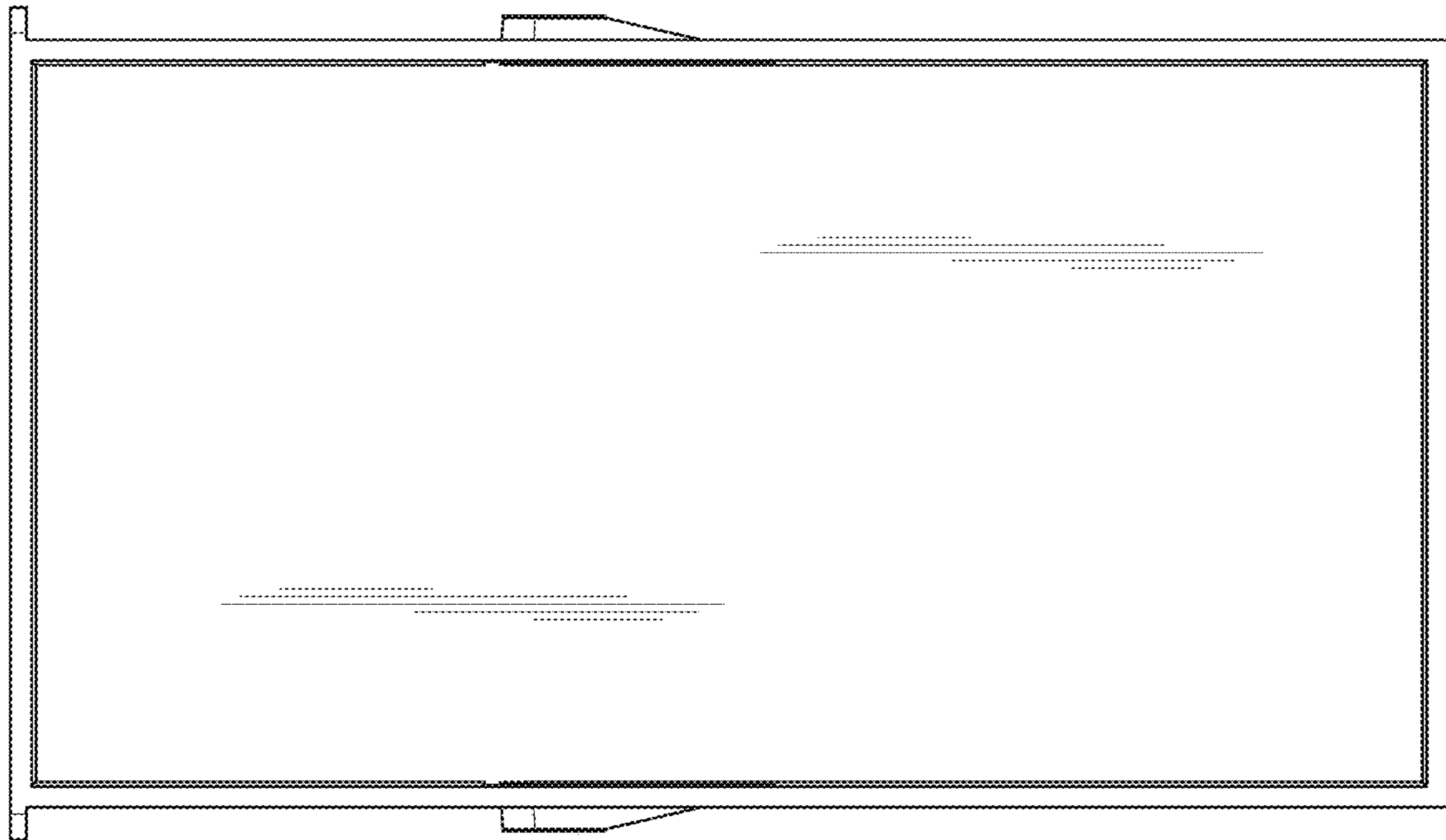


FIG. 23

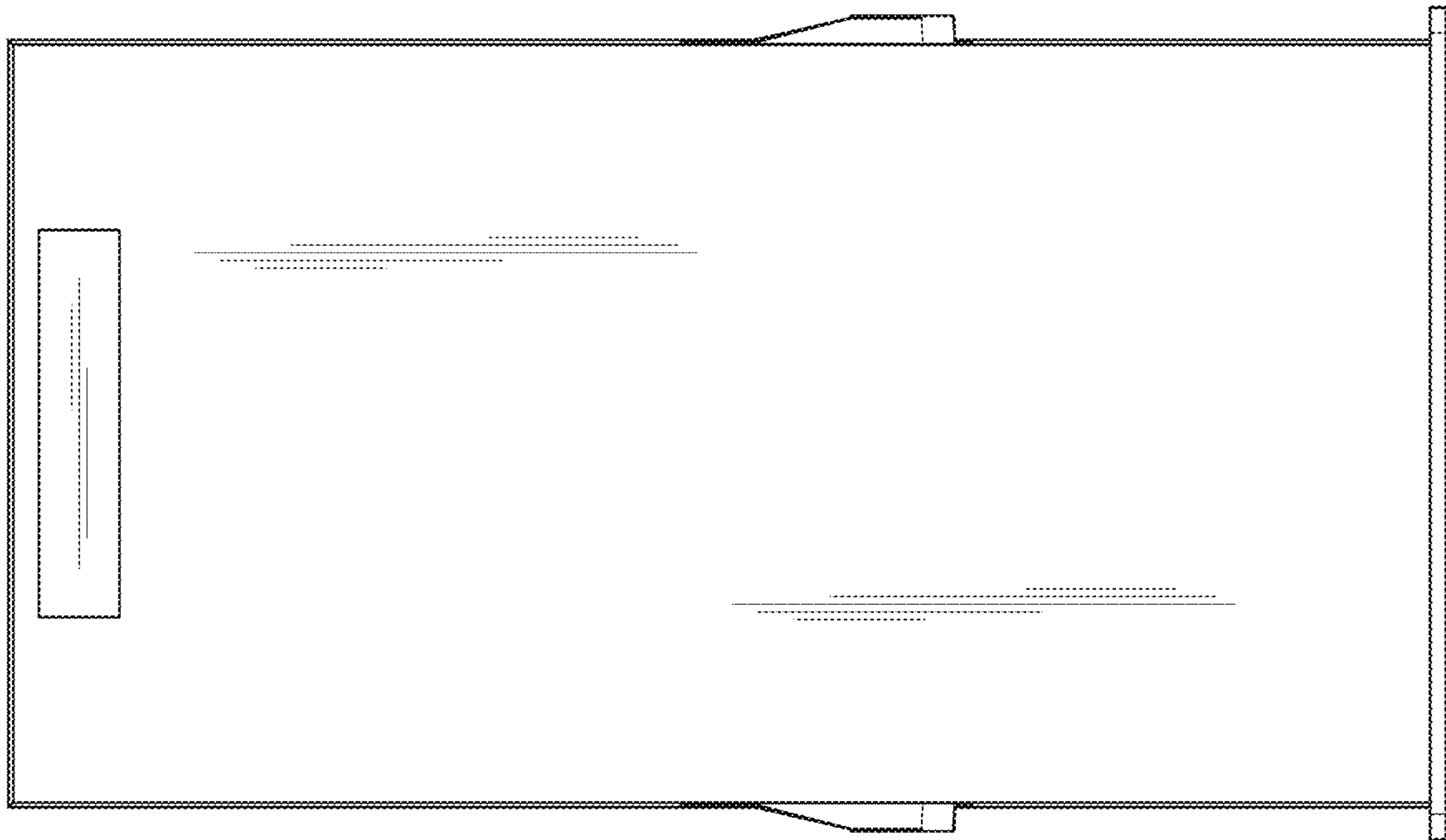


FIG. 24

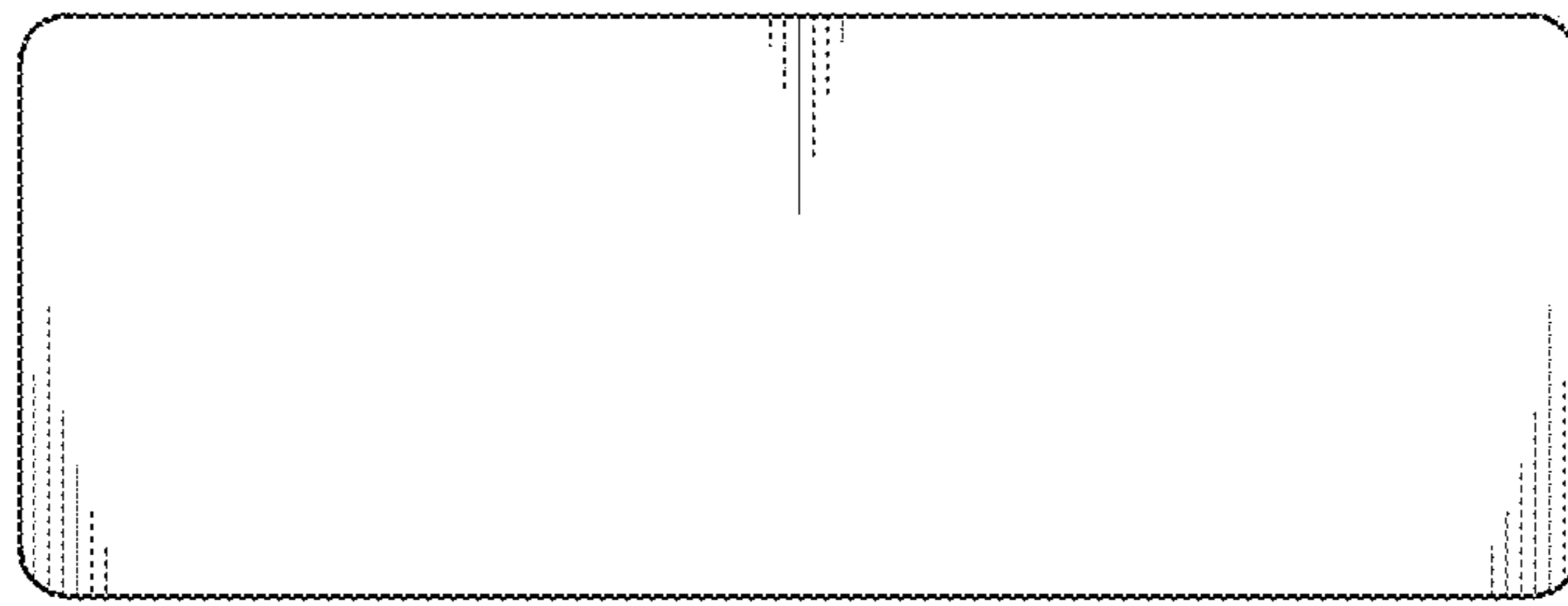


FIG. 25

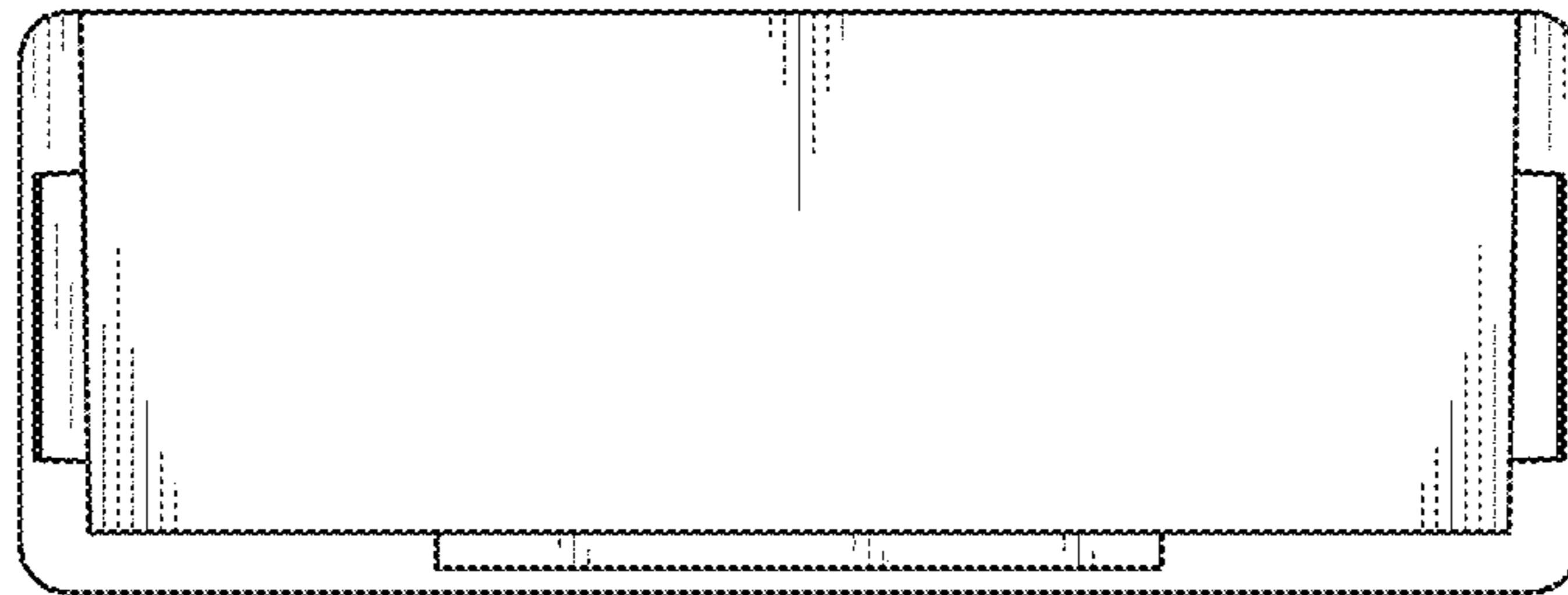


FIG. 26

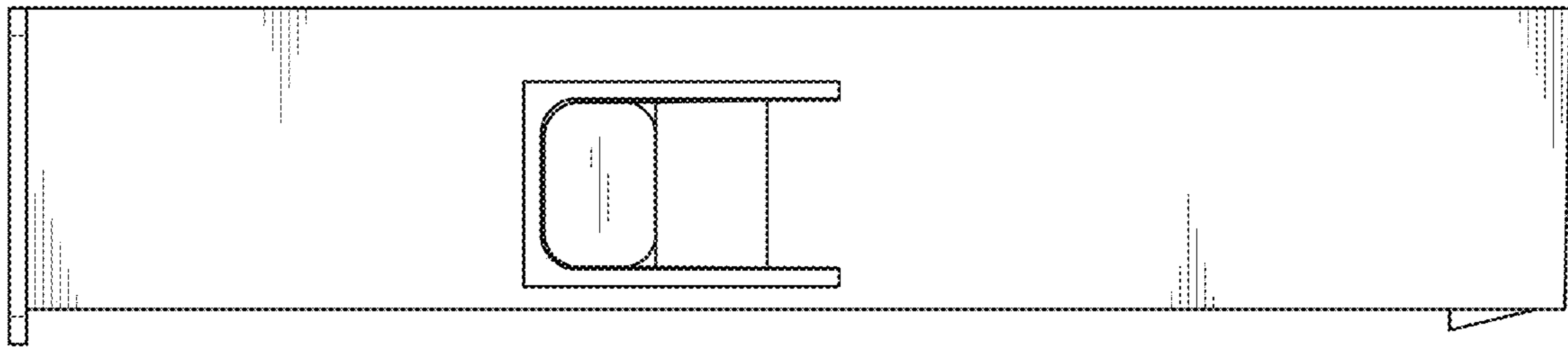


FIG. 27

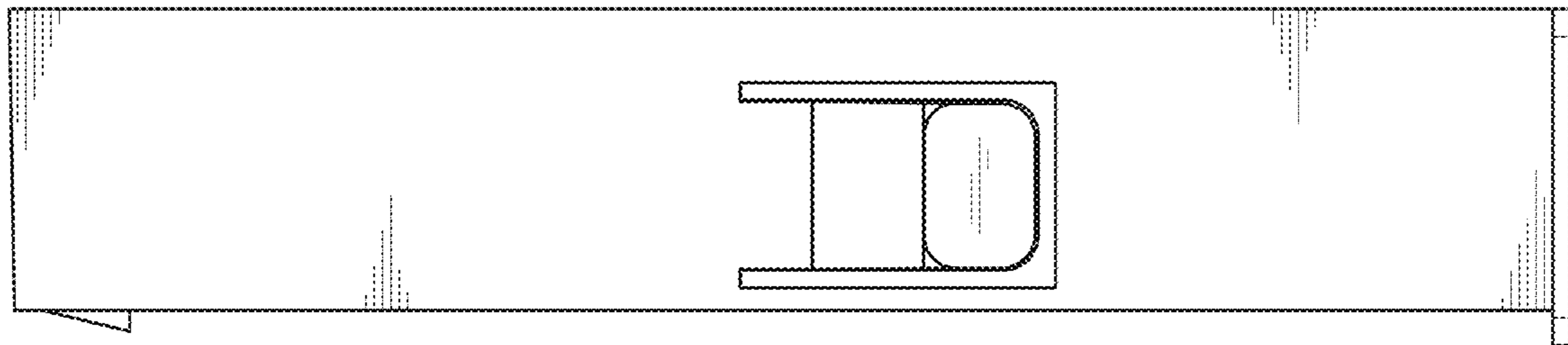


FIG. 28