



US00D911166S

(12) **United States Design Patent**
DeLisle

(10) **Patent No.:** **US D911,166 S**

(45) **Date of Patent:** **** Feb. 23, 2021**

(54) **PIZZA BOX**

(71) Applicant: **Steven DeLisle**, Atlanta, GA (US)

(72) Inventor: **Steven DeLisle**, Atlanta, GA (US)

(**) Term: **15 Years**

(21) Appl. No.: **29/696,888**

(22) Filed: **Jul. 2, 2019**

(51) **LOC (13) Cl.** **09-03**

(52) **U.S. Cl.**
USPC **D9/432**

(58) **Field of Classification Search**

USPC D9/414, 420, 423, 432, 433, 434, 499,
D9/701, 721, 756; D19/1; D27/172,
D27/183, 186; D28/61, 73, 78, 83, 91;
D6/672, 673, 675
CPC B65D 75/5838; B65D 5/50; B65D 85/40;
B65D 25/04; B65D 43/16; B65D 25/14;
B65D 25/10; A21D 13/40; A21D 13/41;
A21D 15/02

See application file for complete search history.

(56) **References Cited**

U.S. PATENT DOCUMENTS

6,386,440 B1 * 5/2002 Tulkoff B65D 5/48024
229/120.06
6,922,976 B2 * 8/2005 Correll B65D 5/2047
53/452
D583,661 S * 12/2008 Mattila D9/433
D690,587 S * 10/2013 DeLisle D9/423
D707,549 S * 6/2014 McAdam D9/420
9,061,785 B2 * 6/2015 Colon B65D 5/5475
9,573,742 B1 * 2/2017 Schmid B65D 55/14
D820,080 S * 6/2018 Kase D9/420
D829,095 S * 9/2018 McKenna D9/432
D833,867 S * 11/2018 Perella D9/432
D840,219 S * 2/2019 McKenna D9/418
D858,274 S * 9/2019 Perella D9/432
D874,267 S * 2/2020 Perella D9/432
D883,670 S * 5/2020 Perella D3/299

D887,265 S * 6/2020 Perella D9/432
2011/0253773 A1 * 10/2011 Lozier B31F 1/0016
229/103.11
2012/0305634 A1 * 12/2012 VonAlst B65D 85/36
229/146
2013/0068830 A1 * 3/2013 Colon B65D 5/6664
229/101.2
2014/0008265 A1 * 1/2014 Ruggiero G06Q 30/0241
206/573
2019/0248568 A1 * 8/2019 Haschke B65D 81/26

FOREIGN PATENT DOCUMENTS

AU 2020100637 A4 * 6/2020 B65D 5/545
FR 3044299 A1 * 6/2017 B65D 5/545
KR 301048657.0000 * 3/2020 B65D 5/545

* cited by examiner

Primary Examiner — Catherine S Posthauer

Assistant Examiner — Riah D Buchanan

(74) *Attorney, Agent, or Firm* — Lambert Shorten &
Connaughton; David J. Connaughton, Jr.; Gary E.
Lambert

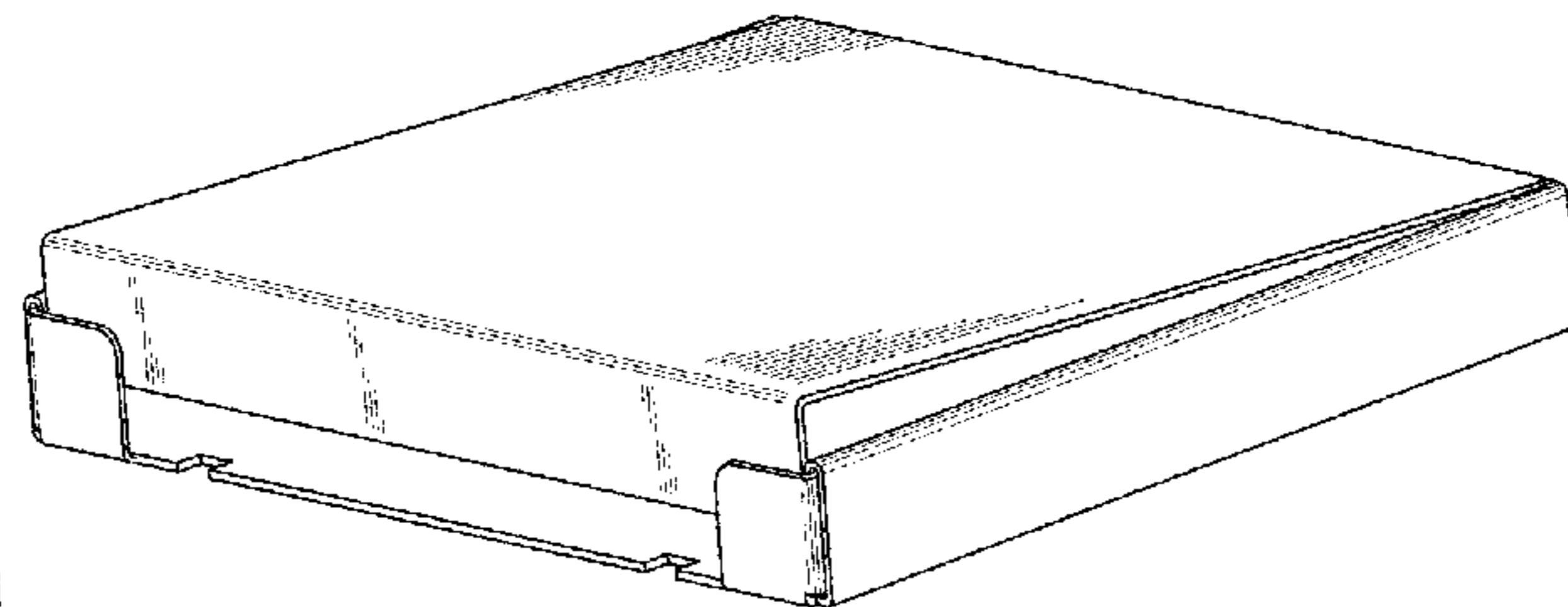
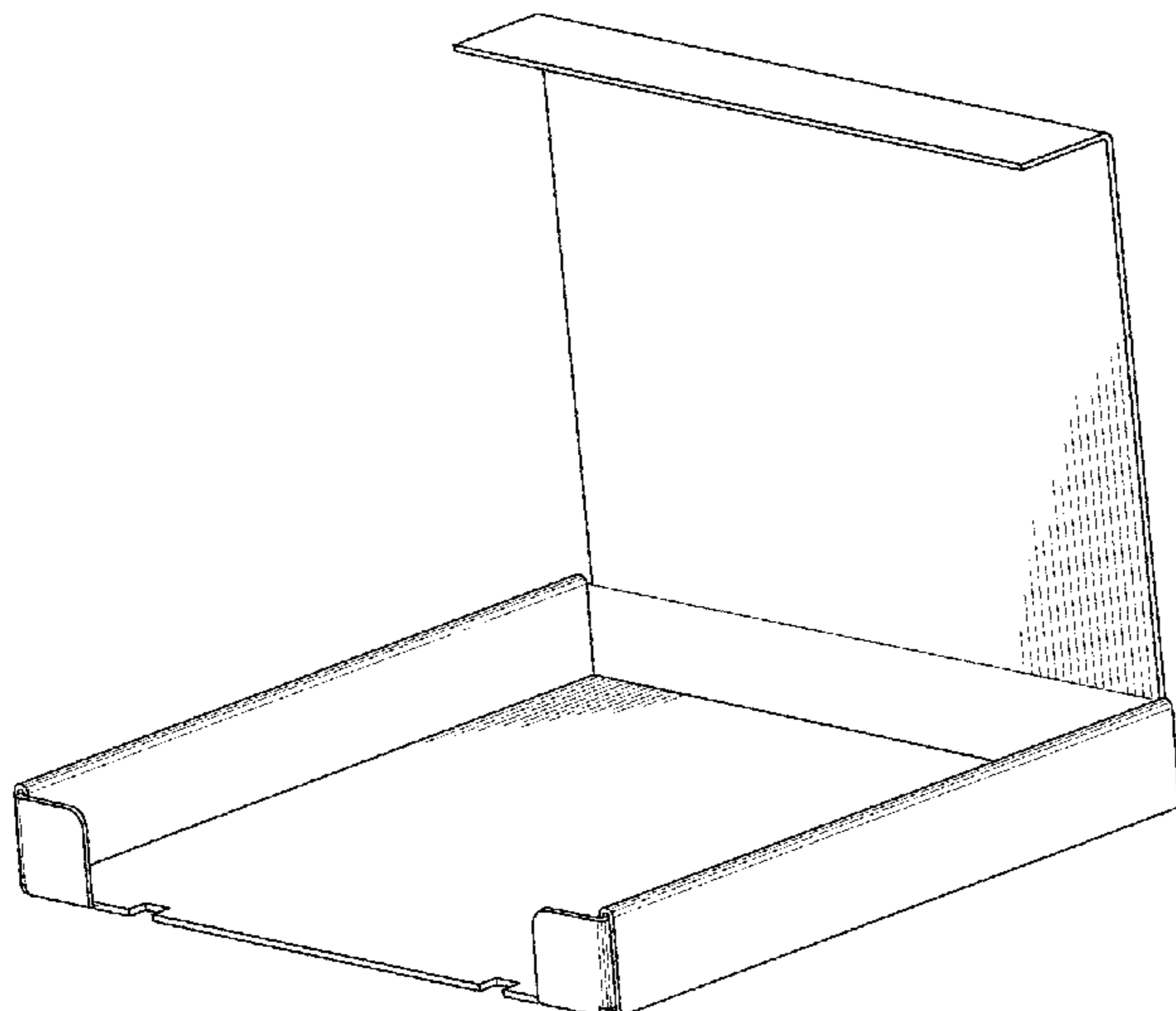
(57) **CLAIM**

The ornamental design for a pizza box, as shown and described.

DESCRIPTION

FIG. 1 is a perspective front view of a pizza box, showing my new design;
FIG. 2 is a top view thereof;
FIG. 3 is a bottom view thereof;
FIG. 4 is a front view thereof;
FIG. 5 is a rear view thereof;
FIG. 6 is a left side view thereof;
FIG. 7 is a right side view thereof;
FIG. 8 is a perspective front view thereof in a partially closed position; and,
FIG. 9 is a perspective front view thereof in a closed position.

1 Claim, 5 Drawing Sheets



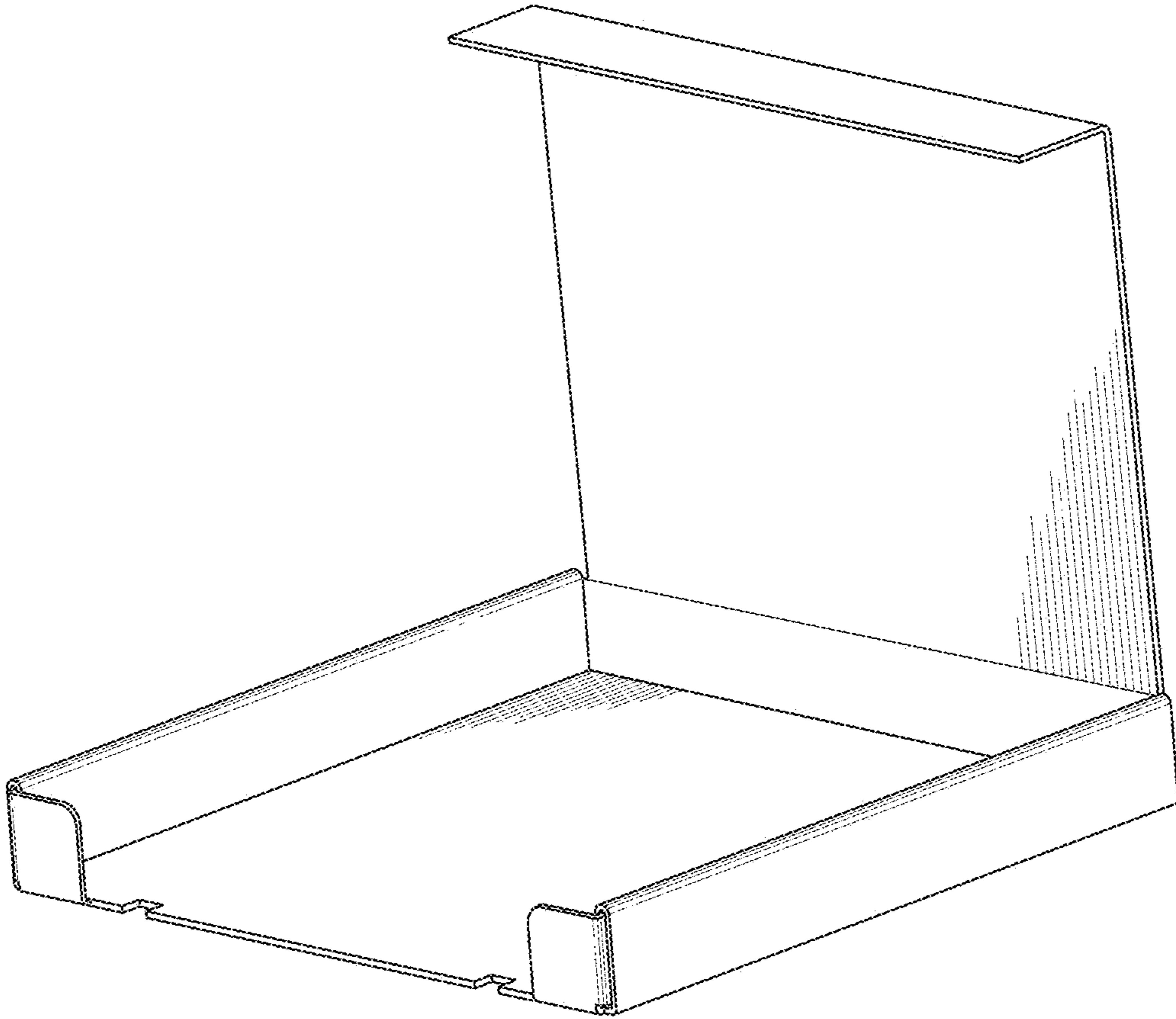


Fig. 1

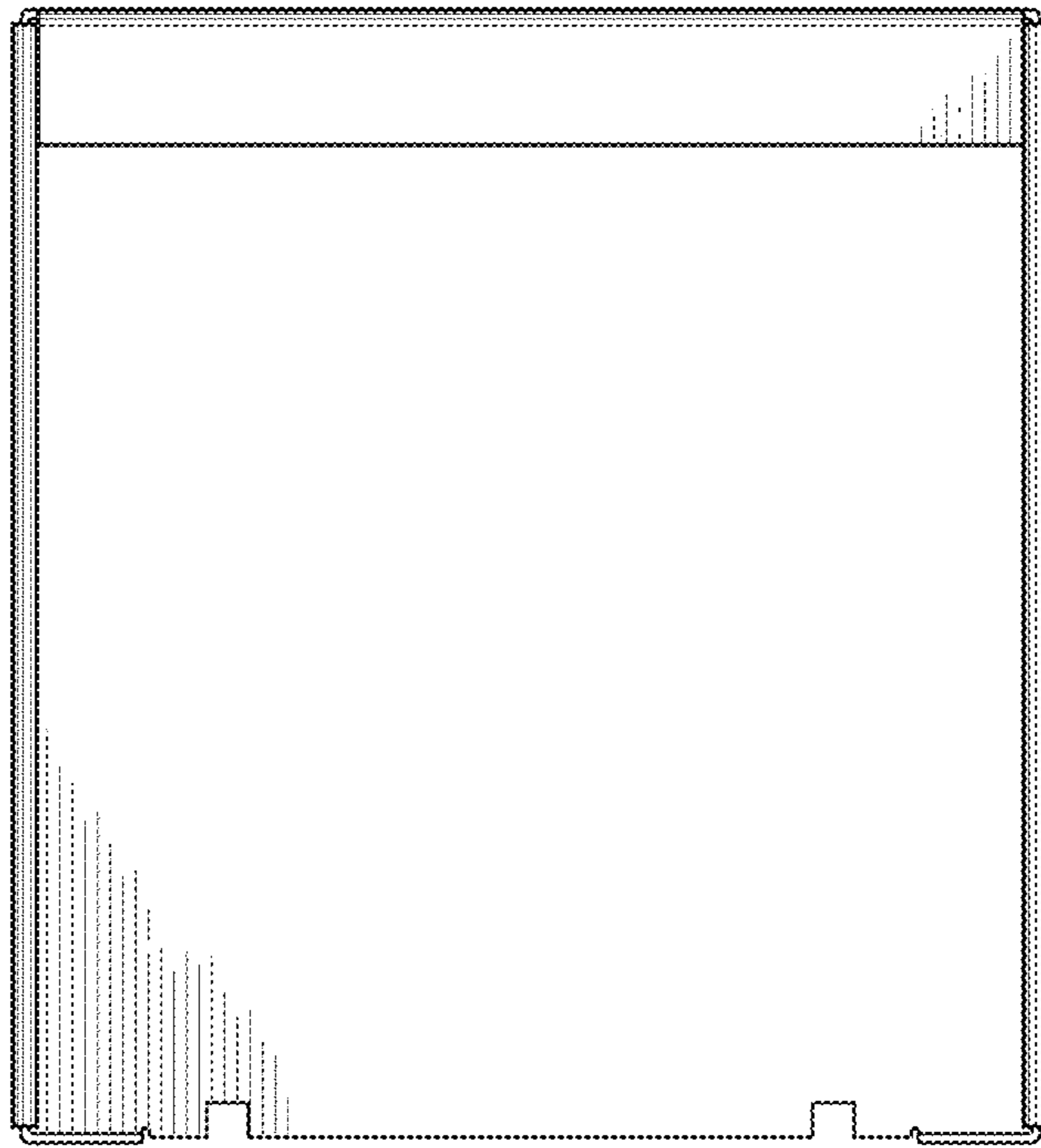


Fig. 2

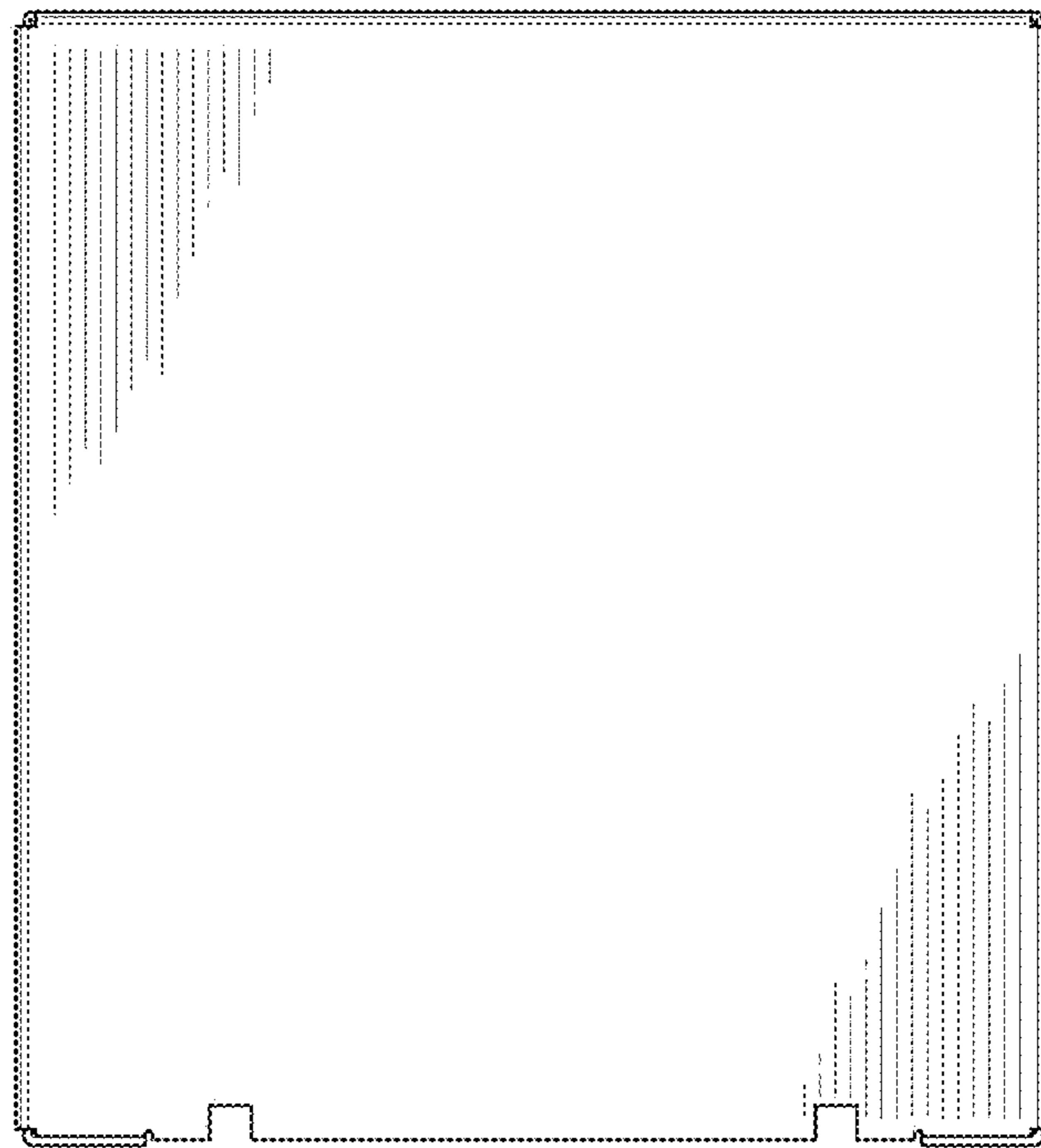


Fig. 3

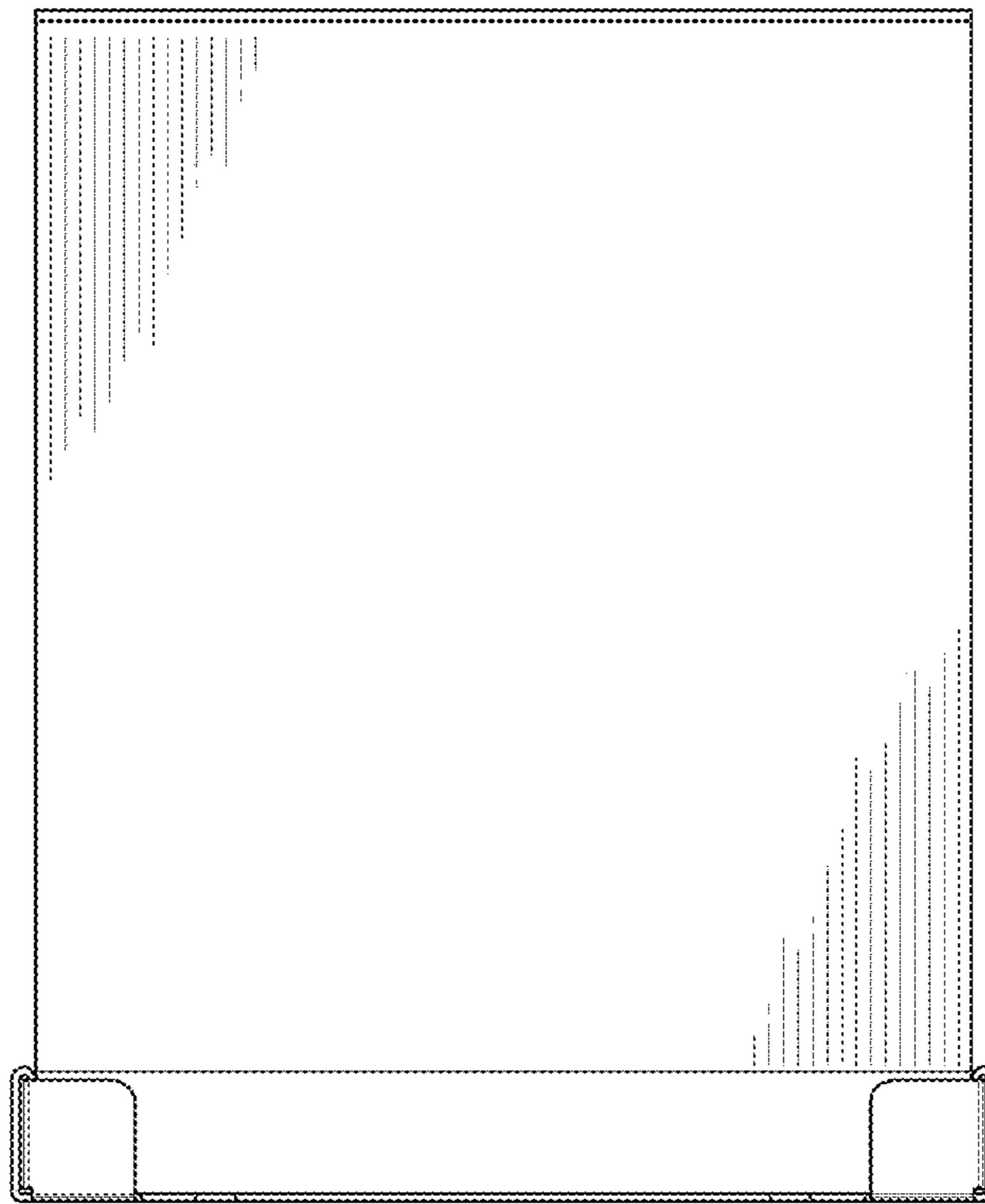


Fig. 4

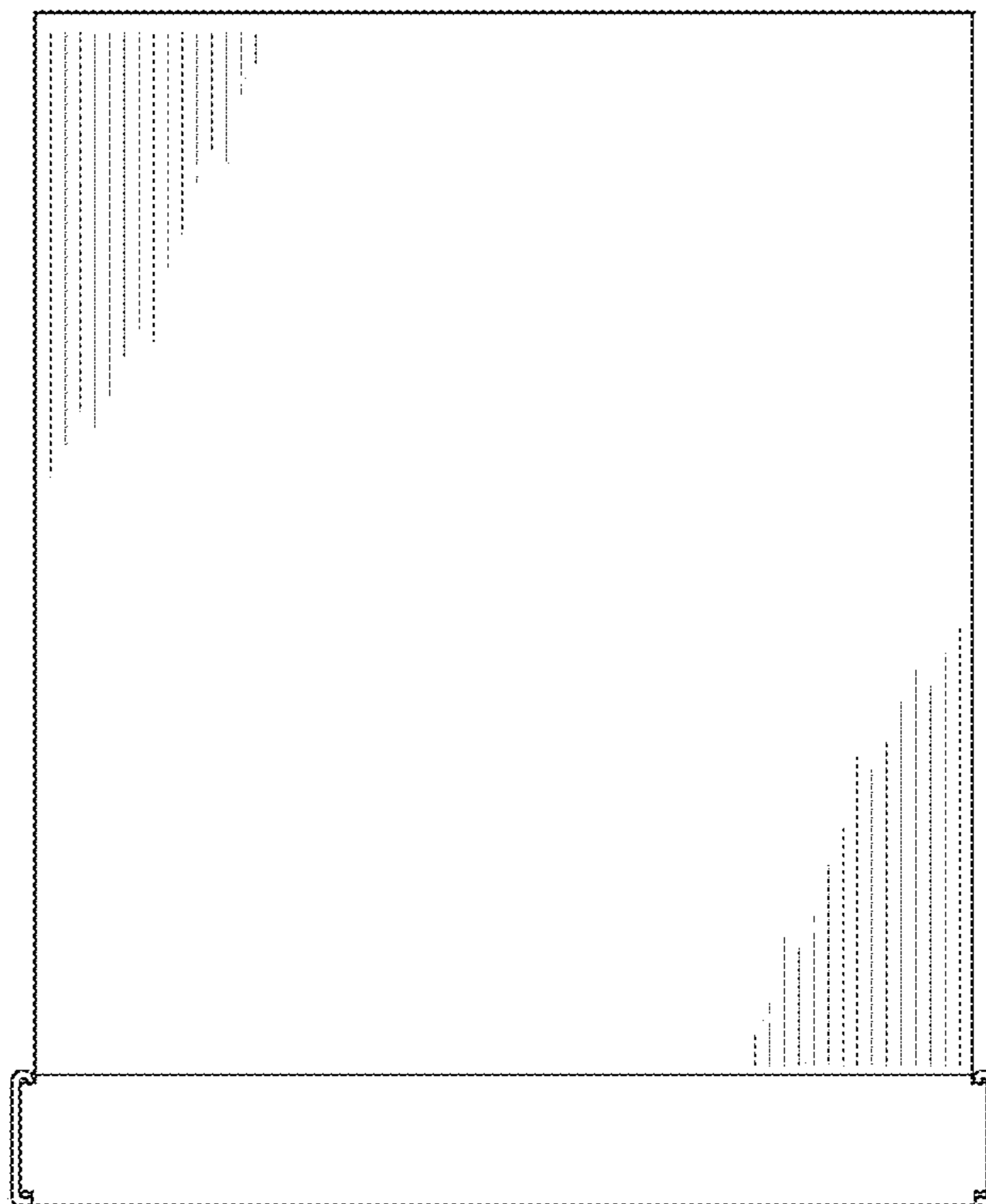


Fig. 5

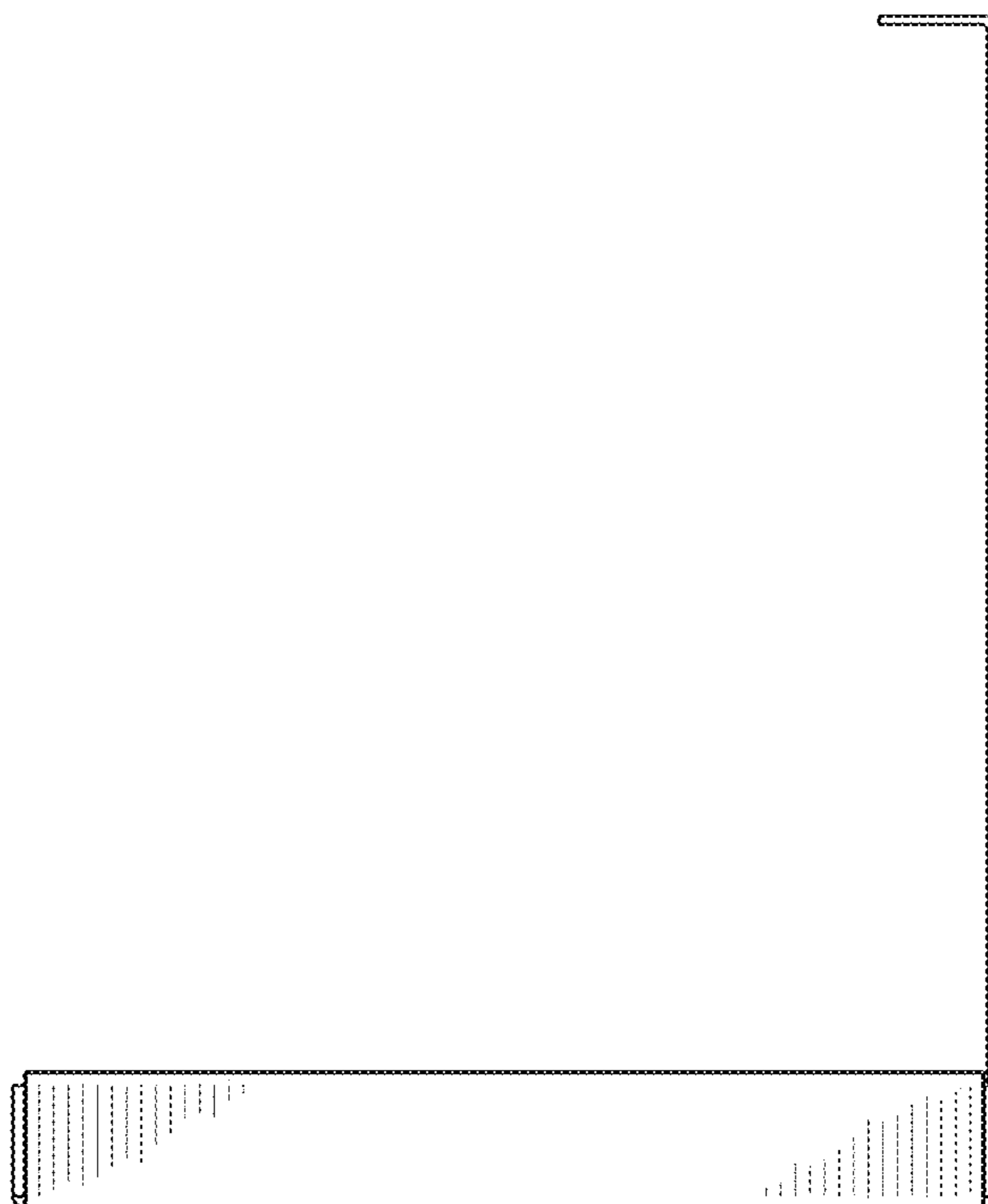


Fig. 6

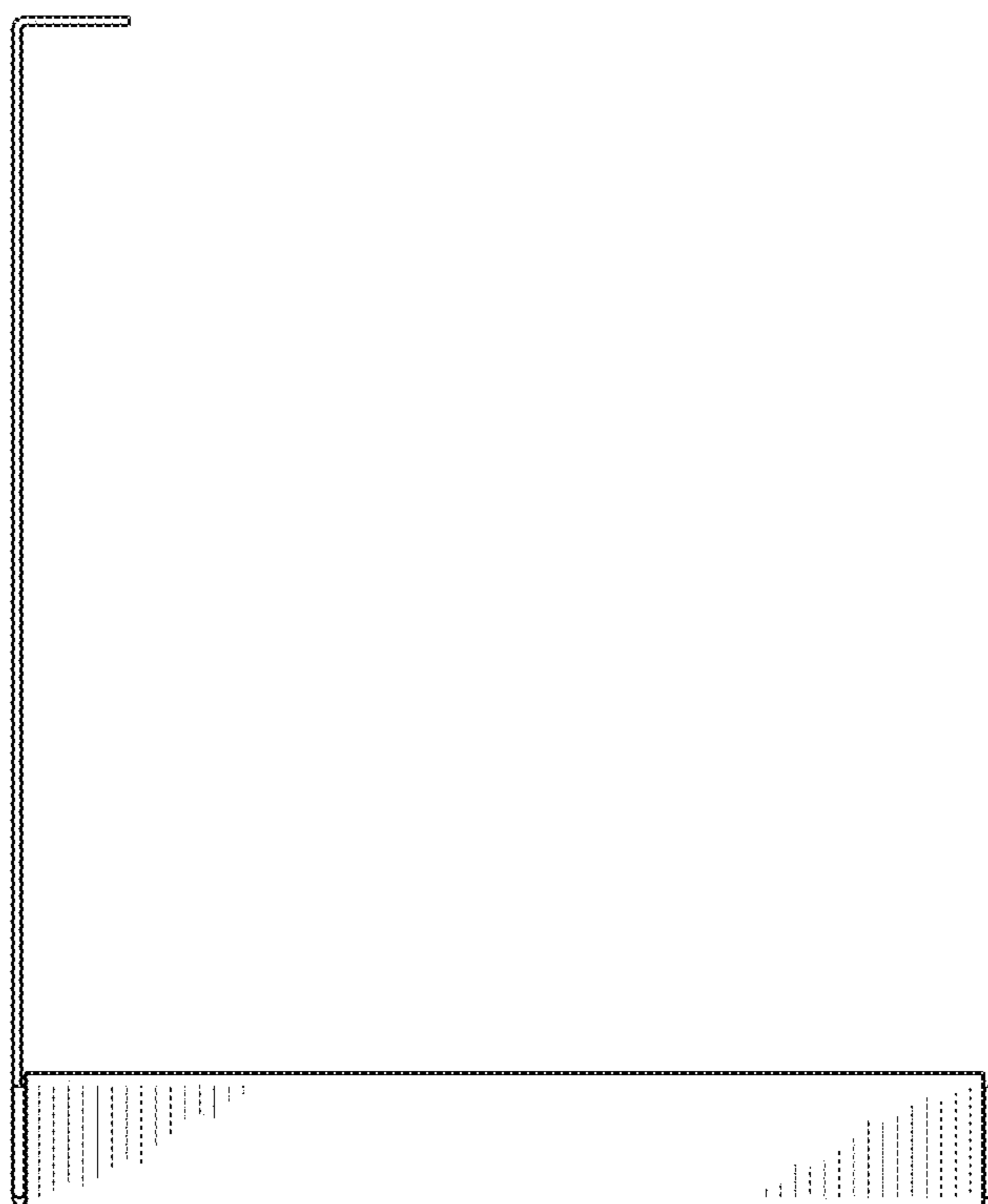


Fig. 7

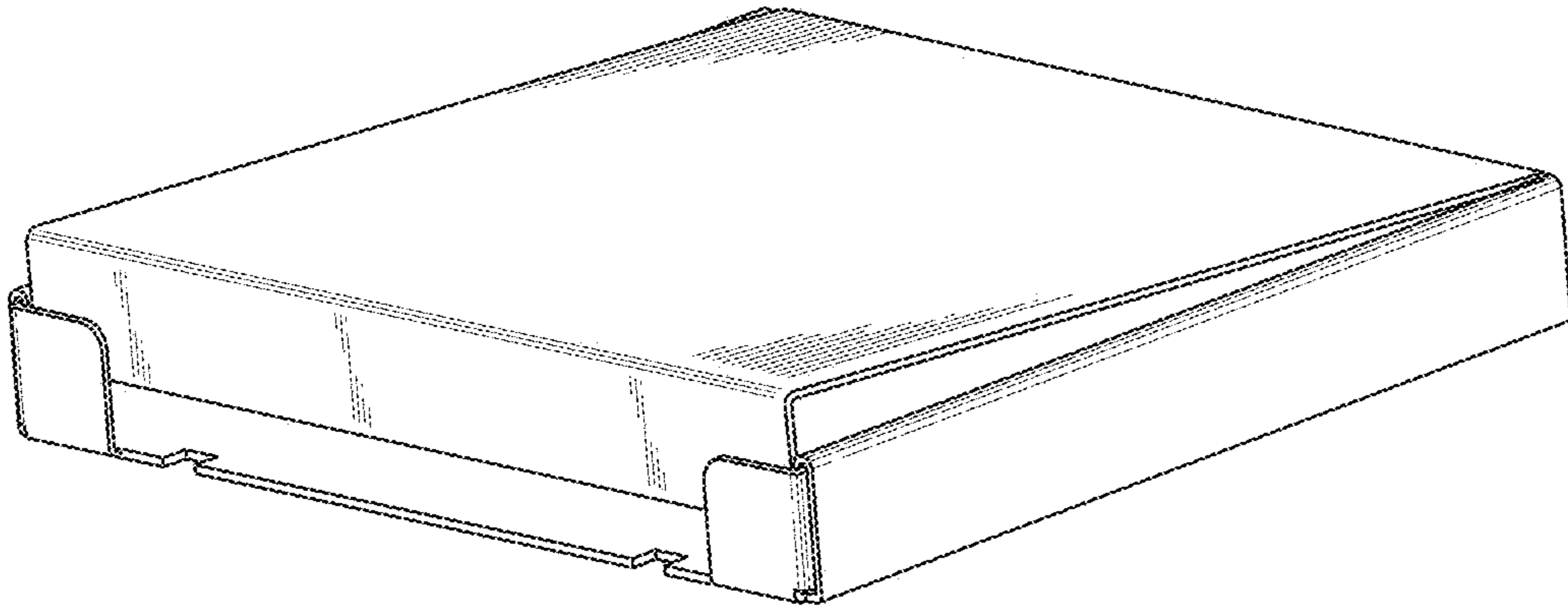


Fig. 8

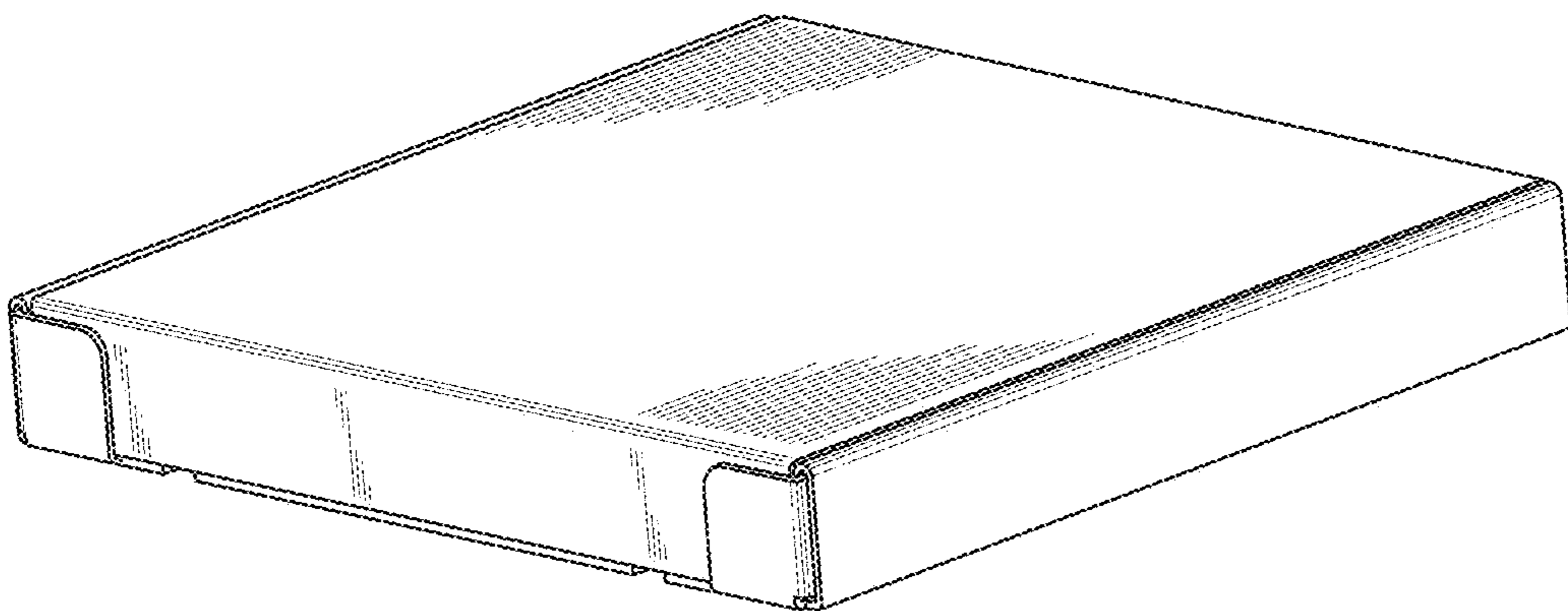


Fig. 9