



US00D911164S

(12) **United States Design Patent** (10) **Patent No.:** **US D911,164 S**
Barker (45) **Date of Patent:** **** Feb. 23, 2021**

(54) **BICYCLE BOX**

FOREIGN PATENT DOCUMENTS

(71) Applicant: **Pratt Corrugated Holdings, Inc.**,
Conyers, GA (US)

EP 2239210 10/2010
FR 2678588 1/1993

(Continued)

(72) Inventor: **Larry Barker**, McDonough, GA (US)

(73) Assignee: **Pratt Corrugated Holdings, Inc.**,
Conyers, GA (US)

OTHER PUBLICATIONS

How ShipBikes works. [online] Published on Jan. 14, 2019. Retrieved Oct. 7, 2020 from URL: <https://www.shipbikes.com/c1Shop1.aspx>.*

(**) Term: **15 Years**

(Continued)

(21) Appl. No.: **29/717,346**

Primary Examiner — Vy N Koenig

(22) Filed: **Dec. 17, 2019**

(74) *Attorney, Agent, or Firm* — Taylor English Duma LLP

Related U.S. Application Data

(63) Continuation of application No. 29/656,115, filed on Jul. 10, 2018, now Pat. No. Des. 873,657.

(51) **LOC (13) Cl.** **09-03**

(52) **U.S. Cl.**
USPC **D9/430; D9/433**

(58) **Field of Classification Search**
USPC D9/414–423, 424–429, 430–433, 434,
D9/456, 457, 711, 713, 721–722, 737,
D9/756, 758, 759, 760; D3/272–274,
D3/290, 304, 305, 315; D20/10, 22, 27,
D20/40, 42
CPC ... B65D 5/00; B65D 5/12; B65D 5/18; B65D
5/20

See application file for complete search history.

(57) **CLAIM**

I claim the ornamental design for a bicycle box, as shown and described.

DESCRIPTION

FIG. 1 is a top perspective view of a bicycle box showing my new design, in a fully assembled configuration.
FIG. 2 is a left-side elevation view thereof.
FIG. 3 is a right-side elevation view thereof.
FIG. 4 is a front elevation view thereof.
FIG. 5 is a rear elevation view thereof.
FIG. 6 is a top plan view thereof.
FIG. 7 is a bottom plan view thereof.
FIG. 8 is a plan view of the first of two blanks comprising the claimed bicycle box design before assembly; and,
FIG. 9 is a plan view of the second of two blanks comprising the claimed bicycle box design before assembly.
The broken lines in the drawings depict features of the bicycle box, including the handle opening shown in FIGS. 1-5, 8, and 9, tabs shown in FIGS. 1, 2, and 4-9, slots shown in FIGS. 1, 2, and 4-9, and edges shown in FIGS. 1, 2, 4-9, that form no part of the claimed design.

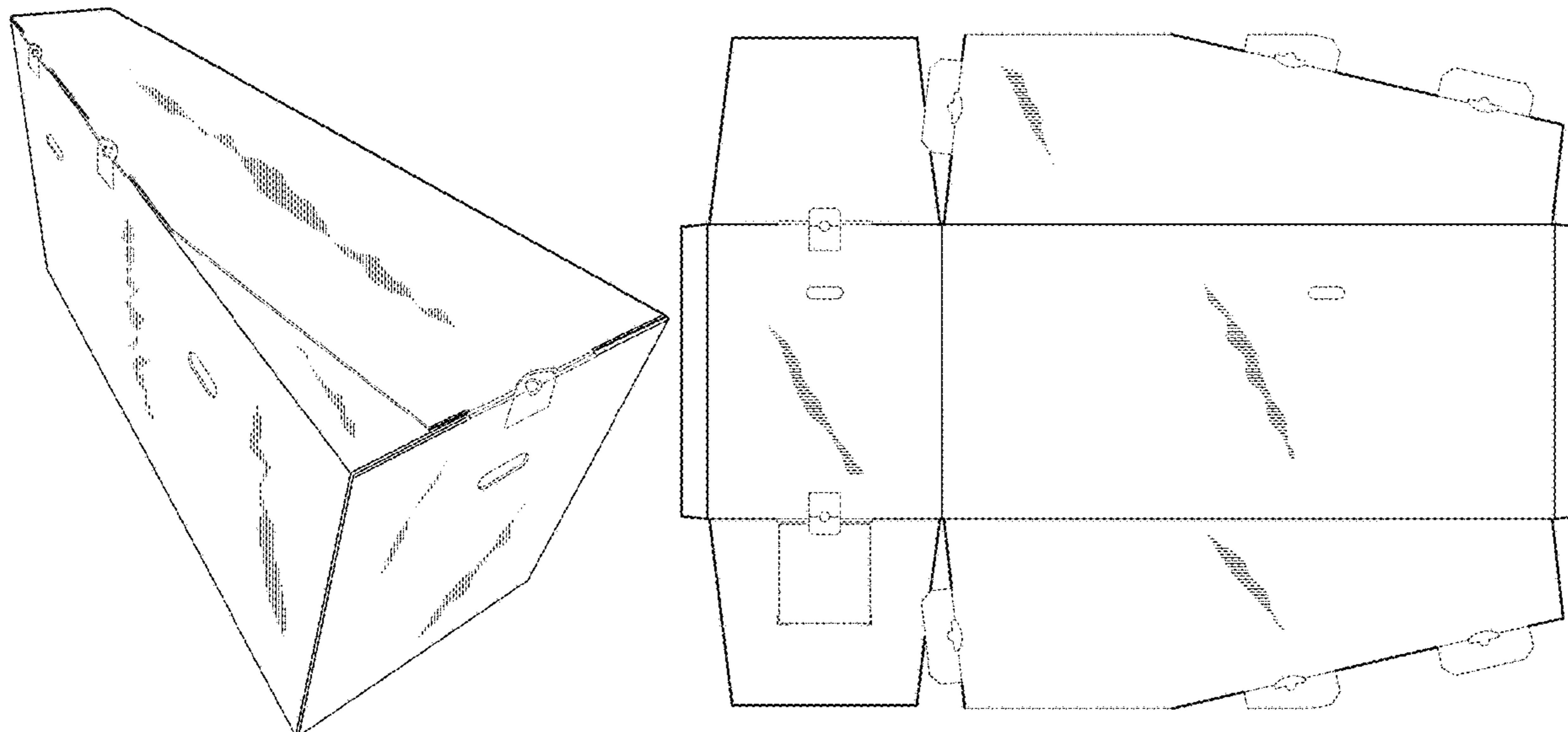
(56) **References Cited**

U.S. PATENT DOCUMENTS

657,688 A 9/1900 Beers
1,876,982 A 9/1932 Lichter
2,299,355 A 10/1942 Stolpman
D136,489 S * 10/1943 Geffner D9/430
2,339,947 A 1/1944 Reaume

(Continued)

1 Claim, 8 Drawing Sheets



(56)

References Cited

U.S. PATENT DOCUMENTS

2,629,487	A	2/1953	Kells	
2,670,892	A	3/1954	Kendrick	
2,750,097	A	6/1956	Moore	
2,883,042	A *	4/1959	Richer	B65D 85/18 206/279
3,929,225	A	12/1975	Locke et al.	
4,149,634	A	4/1979	Lewis, Jr. et al.	
4,378,883	A	4/1983	Profeta	
4,693,289	A	9/1987	Taylor et al.	
4,917,290	A	4/1990	Saiki et al.	
5,040,721	A	8/1991	Essack	
D319,667	S	9/1991	Gray	
5,328,033	A	7/1994	Ptaschinski	
5,520,280	A	5/1996	Lickton	
6,039,243	A	3/2000	Lickton	
D433,942	S	11/2000	Persson et al.	
6,267,237	B1	7/2001	McNeill	
D454,494	S	3/2002	Bryan et al.	
D461,122	S	8/2002	Bryan et al.	
6,450,342	B1	9/2002	Ptaschinski	
6,612,483	B2	9/2003	Harris et al.	
6,857,533	B1	2/2005	Jackson	
D505,321	S	5/2005	Bechard	
6,926,196	B2	8/2005	Testerman et al.	
D519,833	S	5/2006	Katsuyama	
D525,121	S	7/2006	Katsuyama	
D526,572	S	8/2006	Lemaire	
D560,493	S	1/2008	Katsuyama	
D562,679	S	2/2008	Katsuyama	
D564,794	S	3/2008	Ehresman	
D567,078	S	4/2008	Katsuyama	
7,431,159	B2	10/2008	Lawrence et al.	
7,673,787	B2	3/2010	Mittelstaedt	
D657,238	S	4/2012	Neufeldt	
D712,276	S	9/2014	Irek	
D788,579	S	6/2017	Ogdon et al.	
10,017,292	B1	7/2018	Anderson et al.	
D848,278	S	5/2019	Duck et al.	

D873,657	S	1/2020	Barker	
10,766,691	B2 *	9/2020	Barker	B65D 5/6658
2009/0314826	A1	12/2009	Lee et al.	
2010/0025455	A1	2/2010	Pan	
2011/0195164	A1	8/2011	Drury	
2016/0068296	A1	3/2016	Dammeyer	
2016/0194111	A1	7/2016	Sharon et al.	
2017/0066588	A1	3/2017	Schreiber et al.	
2018/0093819	A1	4/2018	Chen et al.	
2018/0194511	A1	7/2018	Anderson et al.	
2018/0290820	A1	10/2018	Keiller	
2020/0017285	A1	1/2020	Barker	
2020/0017286	A1	1/2020	Barker	
2020/0354141	A1	11/2020	Barker	

FOREIGN PATENT DOCUMENTS

GB	2345691	7/2000
WO	9919197	4/1999

OTHER PUBLICATIONS

Taking the new iMac out of its weird-shaped box. [online] Published on Nov. 30, 2012. Retrieved Oct. 7, 2020 from URL: <http://macgeeks.com/post/title/taking-the-new-imac-out-of-its-weird-shaped-box>.*

Barker, Larry; Non-Final Office Action for U.S. Appl. No. 16/031,718, filed Jul. 10, 2018, dated Jul. 19, 2019, 16 pgs.

Barker, Larry; Corrected Notice of Allowance for U.S. Appl. No. 29/656,115, filed Jul. 10, 2018, dated Oct. 11, 2019, 7 pgs.

Barker, Larry; Ex Parte Quayle Action for U.S. Appl. No. 29/656,115, filed Jul. 10, 2018, dated Jun. 21, 2019, 11 pgs.

Barker, Larry; Notice of Allowance for U.S. Appl. No. 29/656,115, filed Jul. 10, 2018, dated Sep. 18, 2019, 5 pgs.

Barker, Larry; Final Office Action for U.S. Appl. No. 16/031,718, filed Jul. 10, 2018, dated Mar. 23, 2020, 19 pgs.

Barker, Larry; Notice of Allowance for U.S. Appl. No. 16/031,718, filed Jul. 10, 2018, dated May 29, 2020, 6 pgs.

* cited by examiner

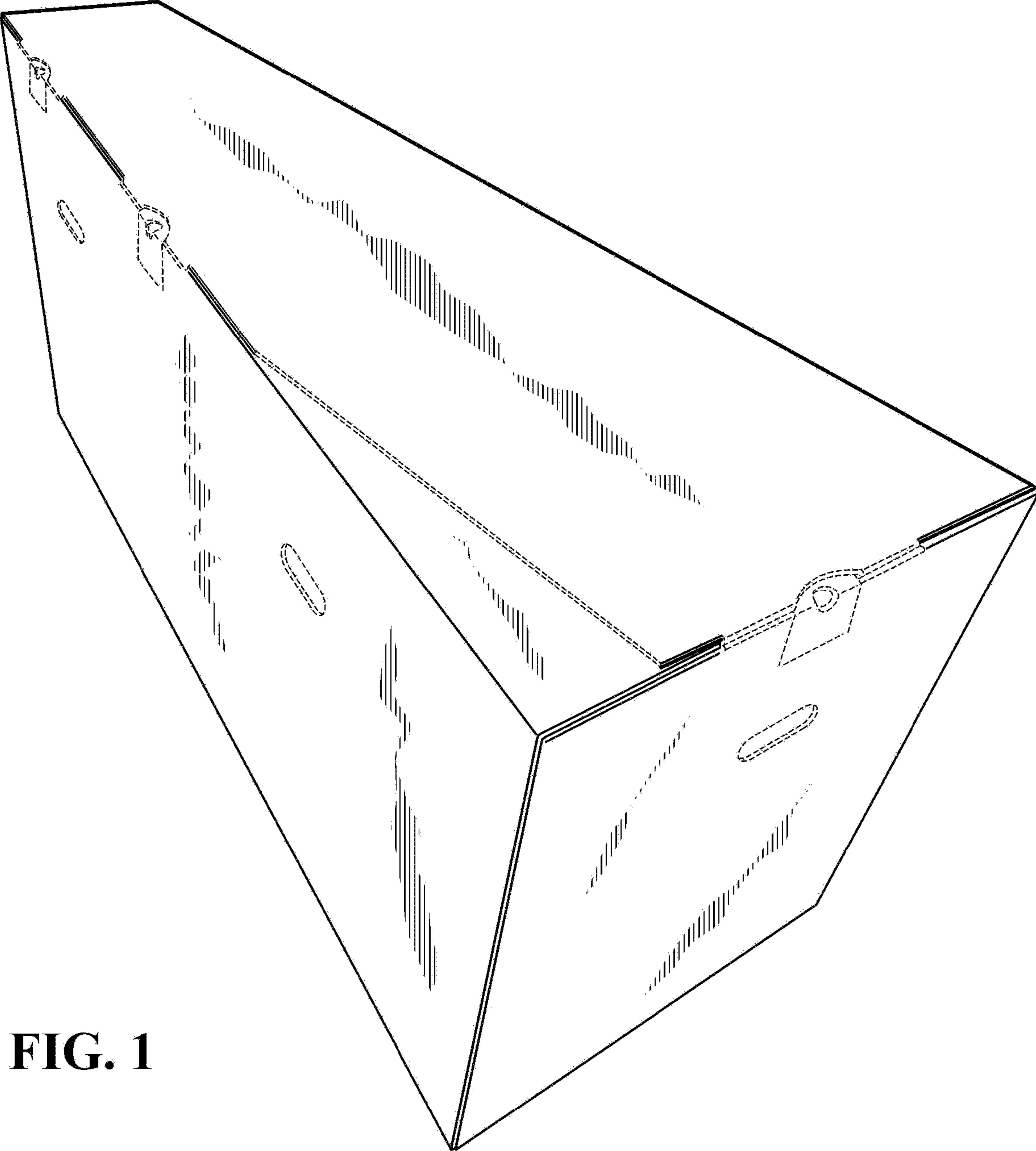


FIG. 1

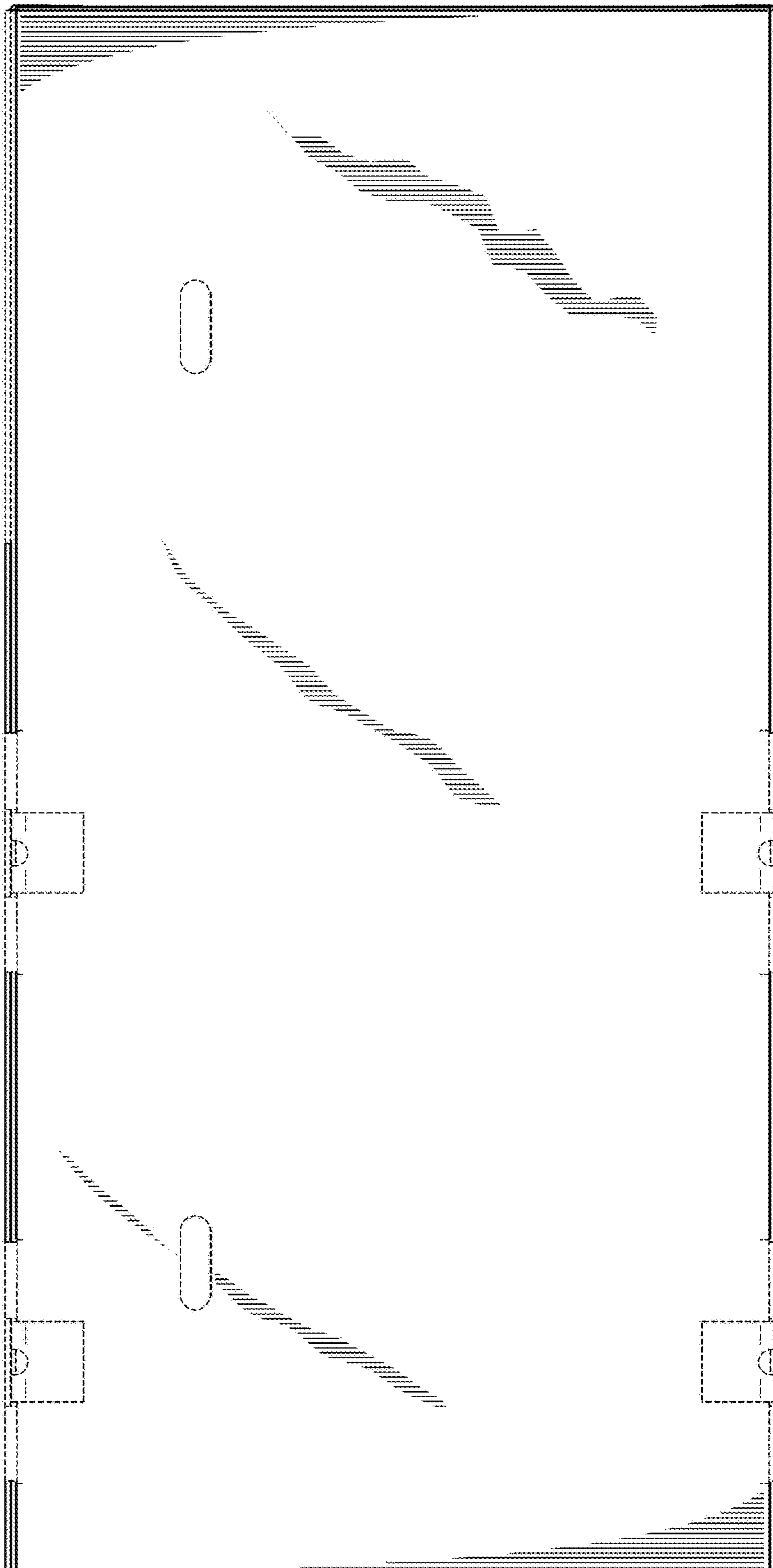


FIG. 2

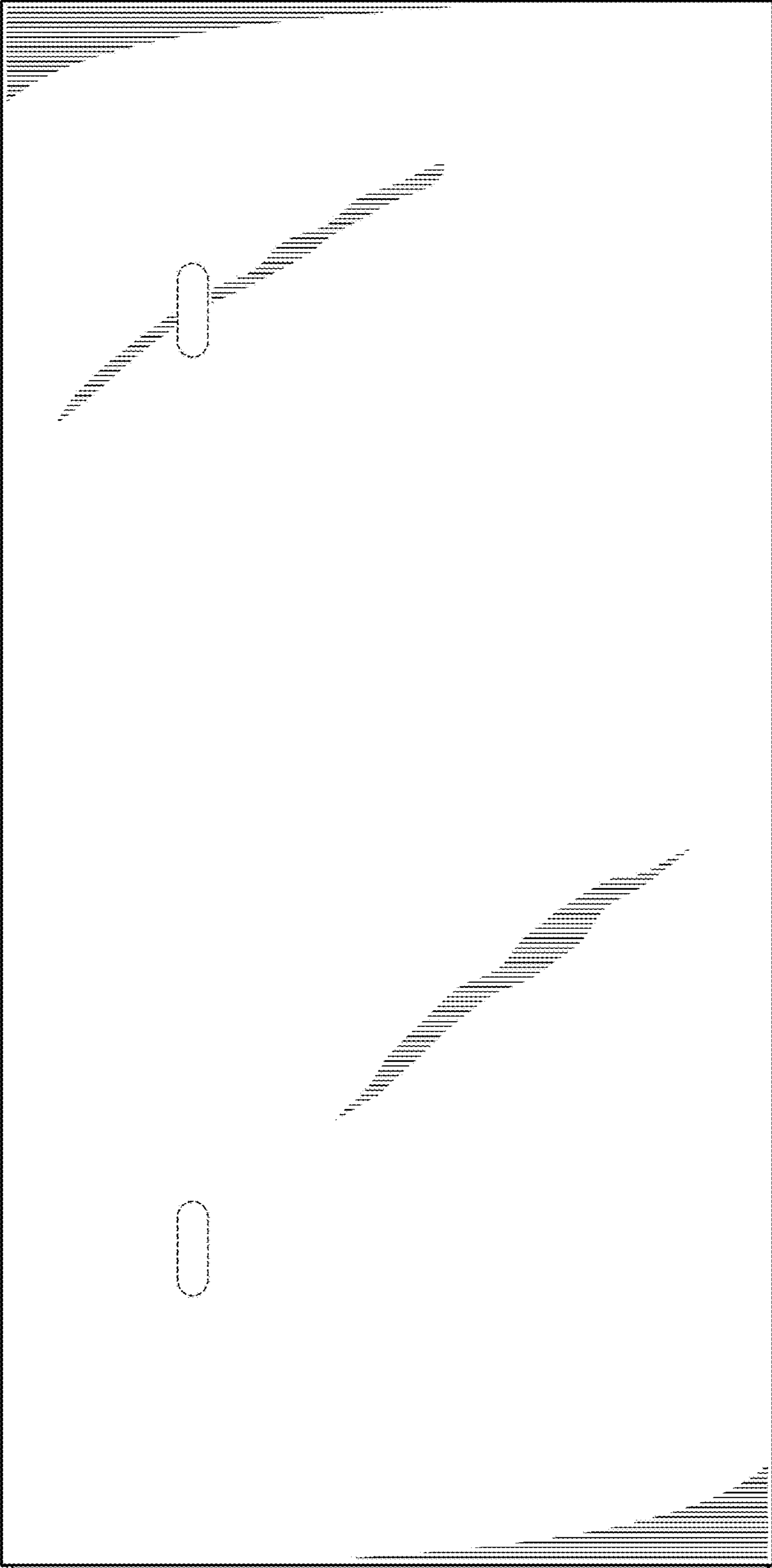


FIG. 3

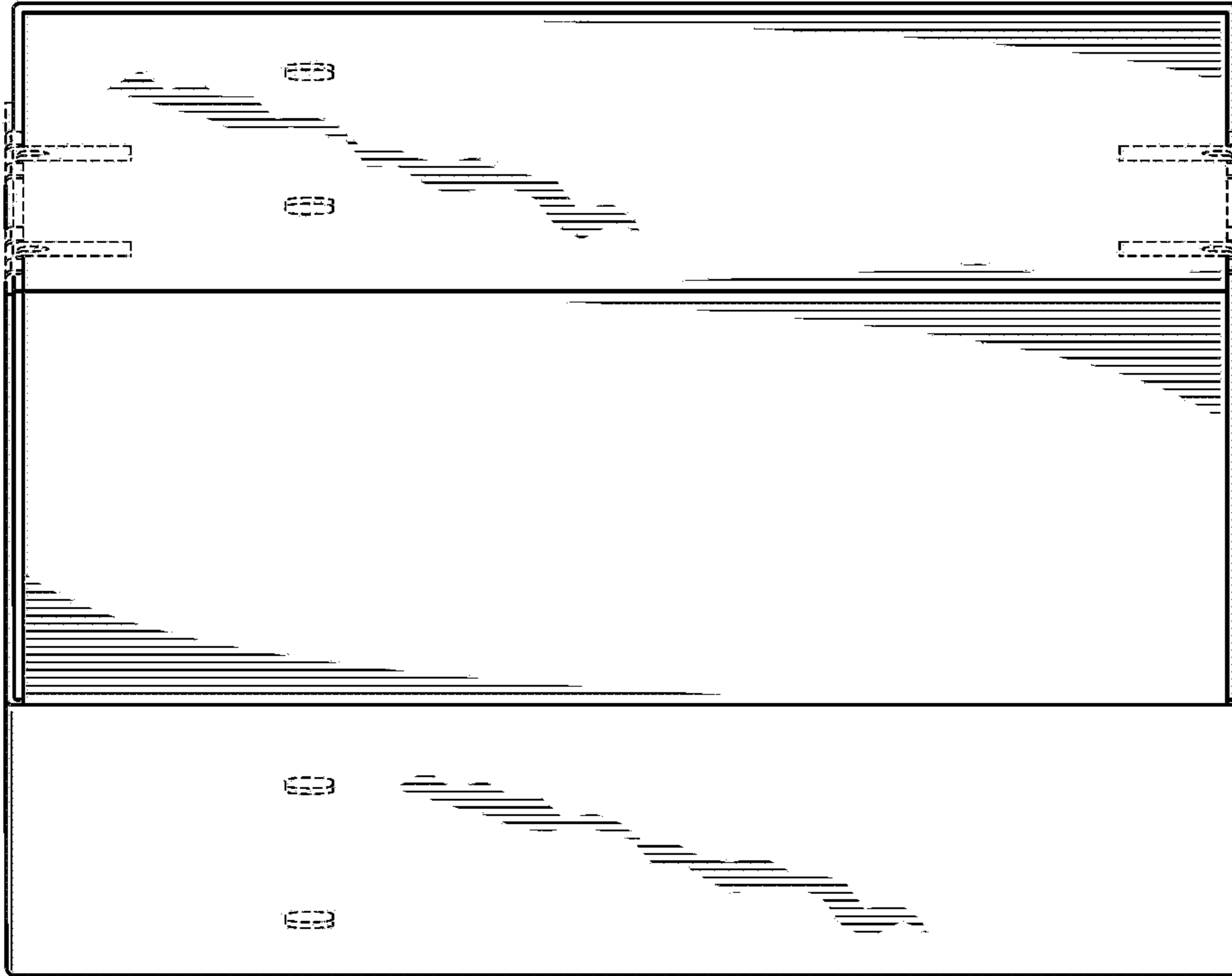


FIG. 5

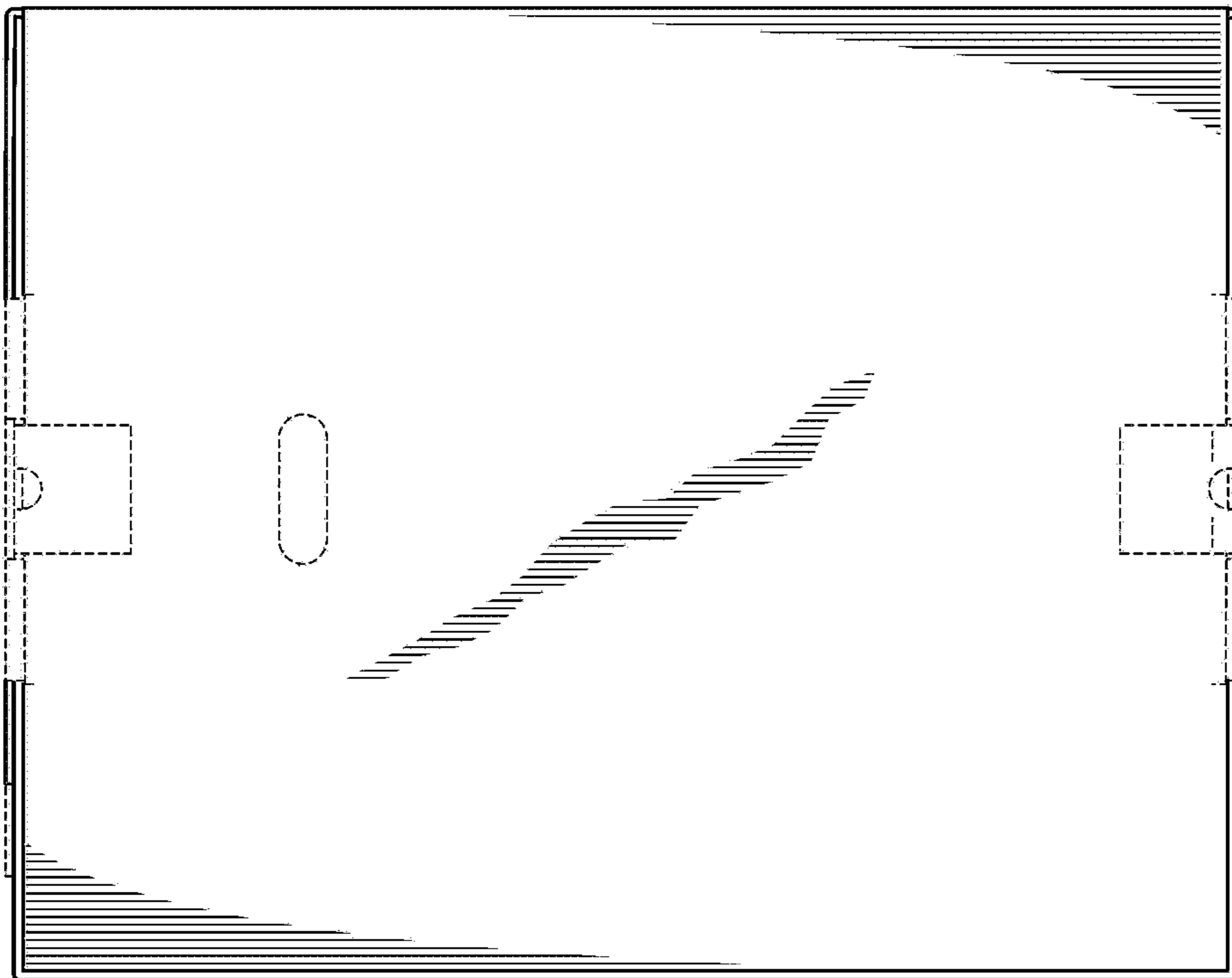


FIG. 4

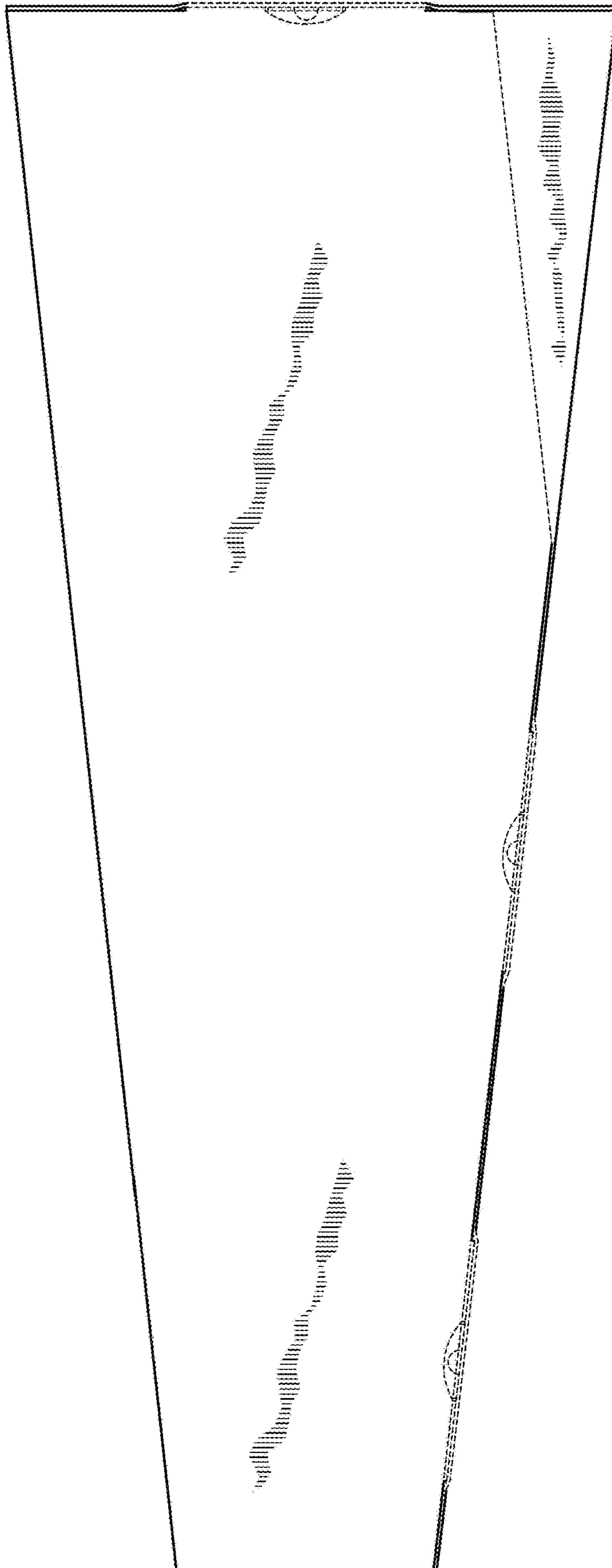


FIG. 6

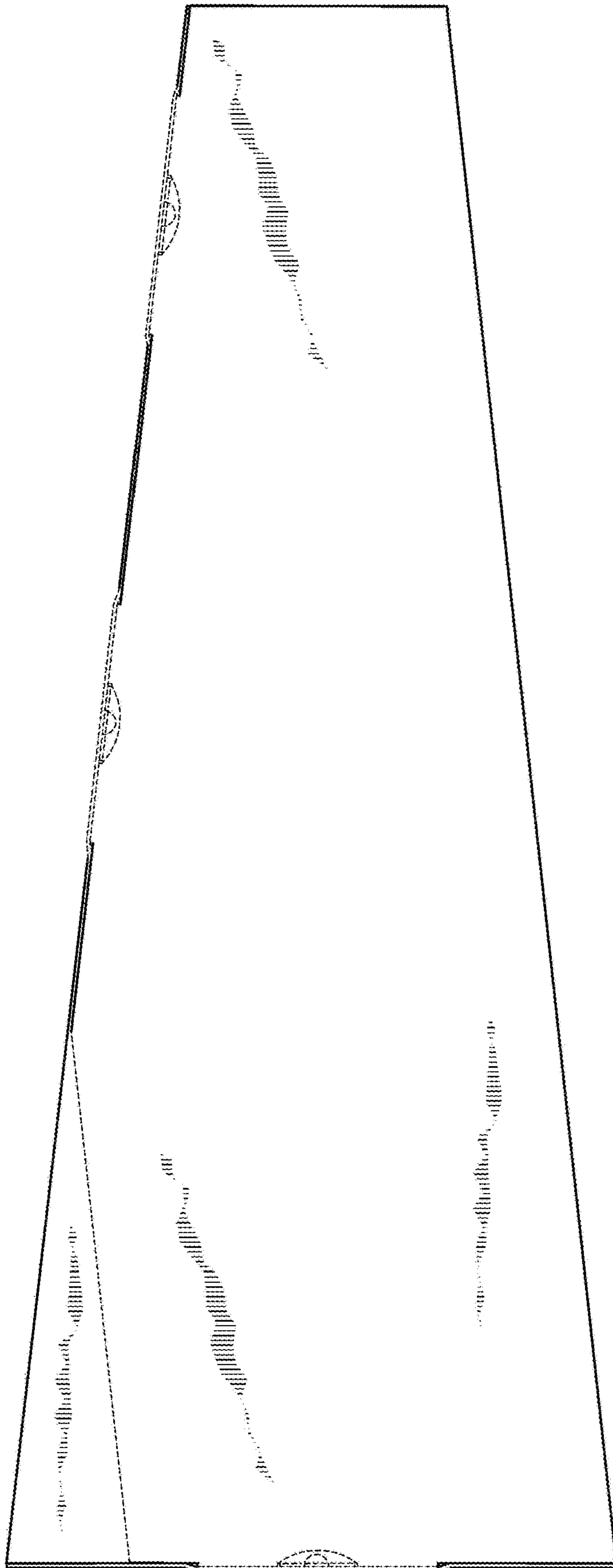


FIG. 7

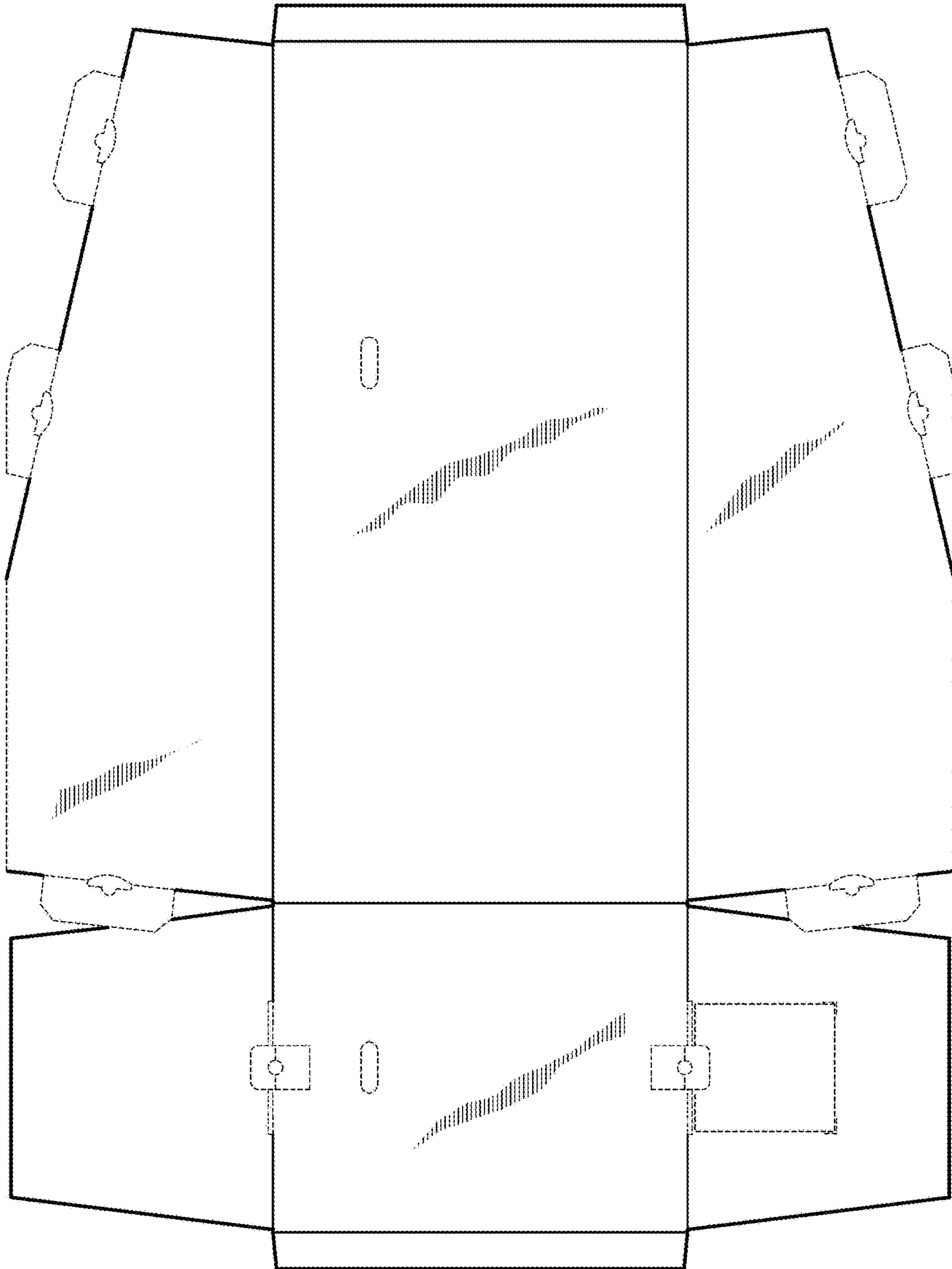


FIG. 8

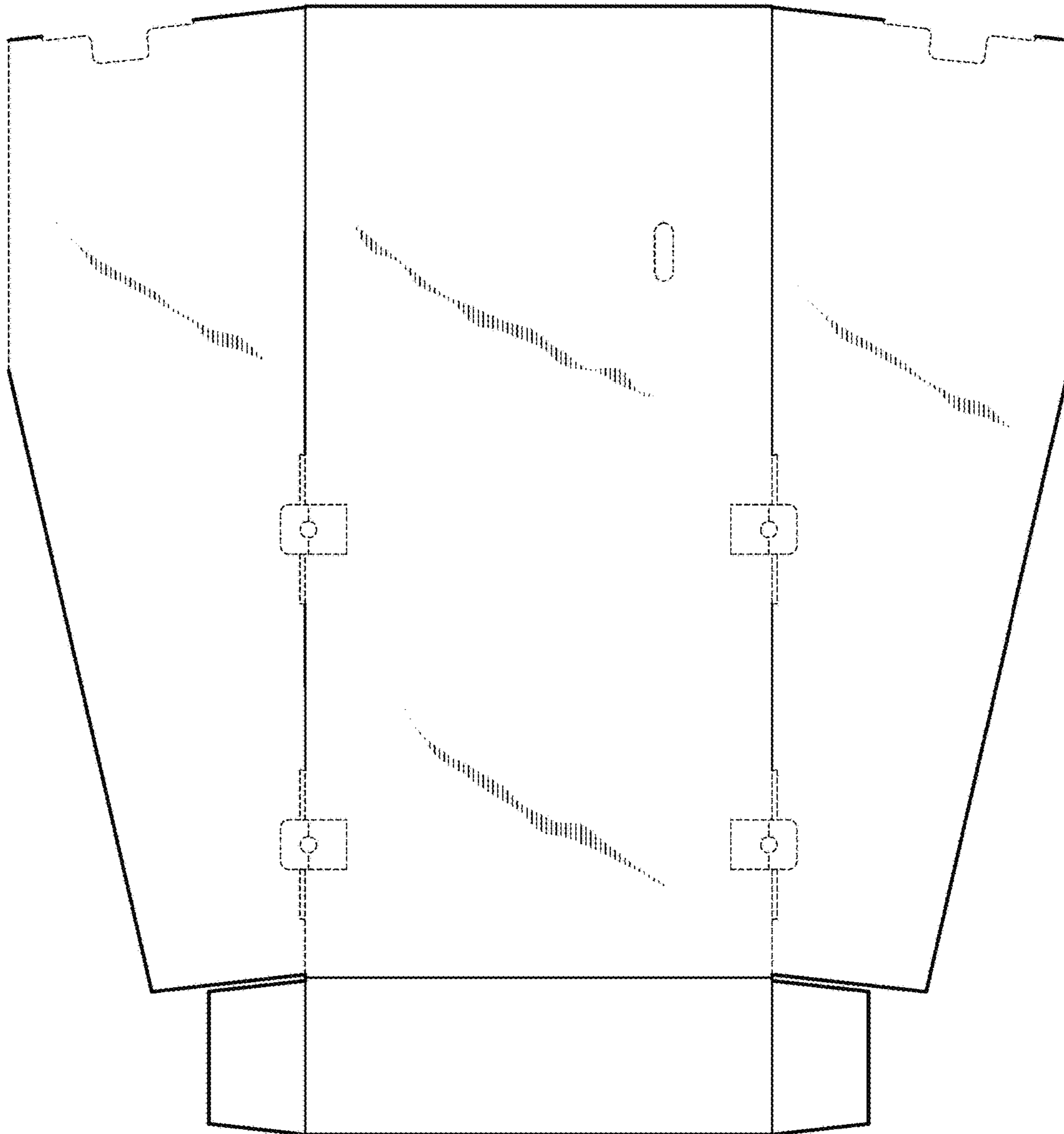


FIG. 9