



US00D911161S

(12) **United States Design Patent**
Williams

(10) **Patent No.:** **US D911,161 S**

(45) **Date of Patent:** **** Feb. 23, 2021**

(54) **NOVELTY SLIME PACKET**

(71) Applicant: **Kevin Williams**, Sprakers, NY (US)

(72) Inventor: **Kevin Williams**, Sprakers, NY (US)

(**) Term: **15 Years**

(21) Appl. No.: **29/682,195**

(22) Filed: **Mar. 2, 2019**

(51) **LOC (13) Cl.** **09-03**

(52) **U.S. Cl.**
USPC **D9/416**

(58) **Field of Classification Search**
USPC D9/414-418, 503, 428, 521, 500, 504;
D7/629; D99/5; D28/8.1
CPC B65D 51/28
See application file for complete search history.

(56) **References Cited**

U.S. PATENT DOCUMENTS

- 5,064,073 A * 11/1991 Folland B65D 51/28
220/521
- D419,394 S * 1/2000 Wilson D7/629
- D446,447 S * 8/2001 Richardson D28/8.1
- D452,058 S * 12/2001 Munroe-Browne D99/5
- D469,351 S * 1/2003 Huang D9/428
- D658,493 S * 5/2012 Cometto D9/503
- D732,386 S * 6/2015 Paton D9/428

- D736,087 S * 8/2015 Birgers D9/503
- D753,480 S * 4/2016 Paton D9/416
- D764,270 S * 8/2016 Paton D9/416
- D775,959 S * 1/2017 Owen D9/504
- D837,653 S * 1/2019 Meranus D9/521
- D853,228 S * 7/2019 Han D9/418
- D881,692 S * 4/2020 Yang D9/428
- D884,475 S * 5/2020 Rapparini D9/500
- D885,189 S * 5/2020 Rapparini D9/500
- D889,970 S * 7/2020 Bonizzoni D9/503
- D891,253 S * 7/2020 Smith D9/504
- D892,622 S * 8/2020 Sanders D9/503
- D897,834 S * 10/2020 Lee D9/428

* cited by examiner

Primary Examiner — Rhea Shields

(74) *Attorney, Agent, or Firm* — LaMorte & Associates
P.C.

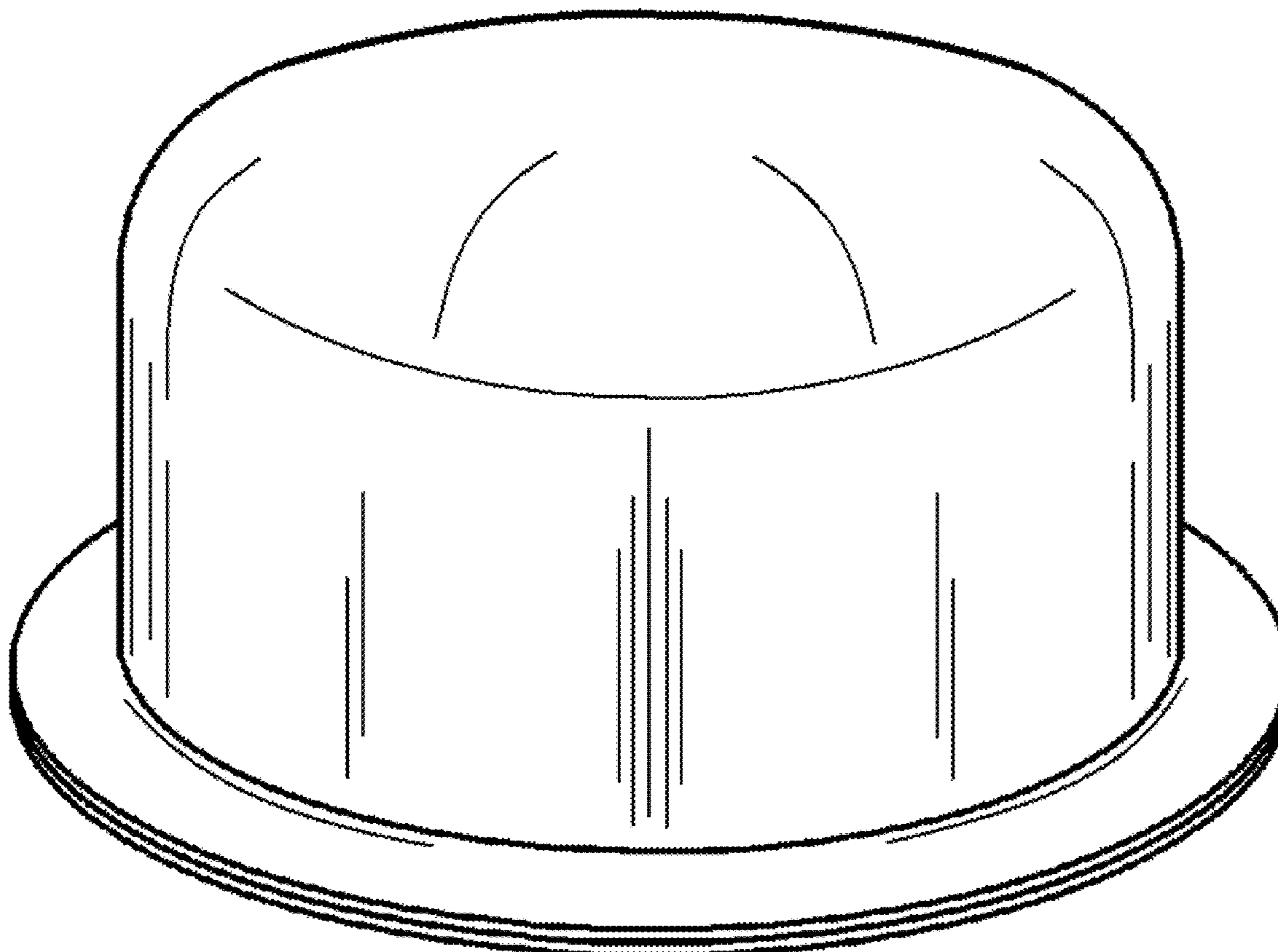
(57) **CLAIM**

The ornamental design for a novelty slime packet, as shown and described.

DESCRIPTION

FIG. 1 is a perspective view of a novelty slime packet;
FIG. 2 is a front view thereof; rear view, right side view, left
side view being the same;
FIG. 3 is a top view thereof; and,
FIG. 4 is a bottom view thereof.

1 Claim, 4 Drawing Sheets



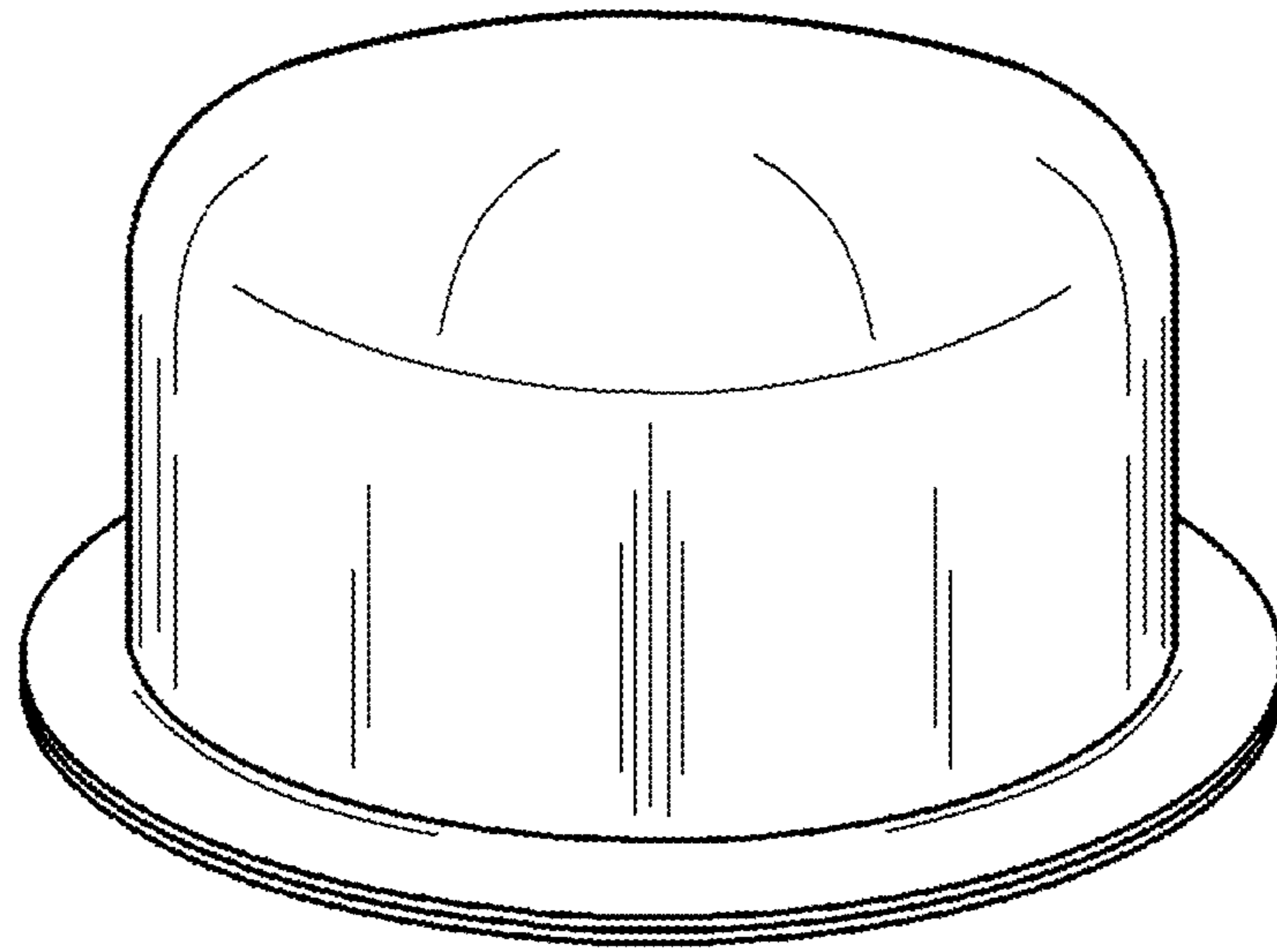


FIG. 1

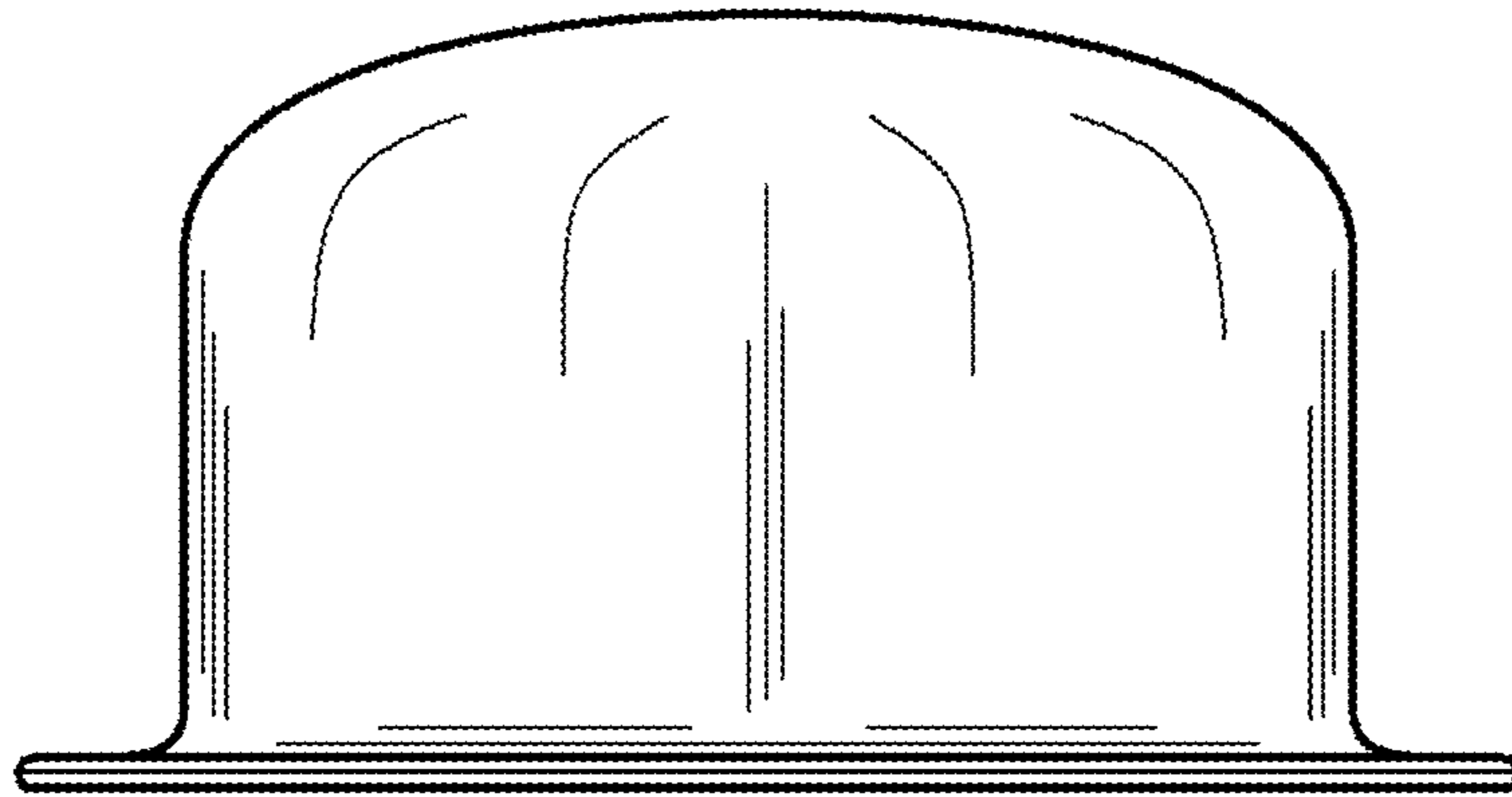


FIG. 2

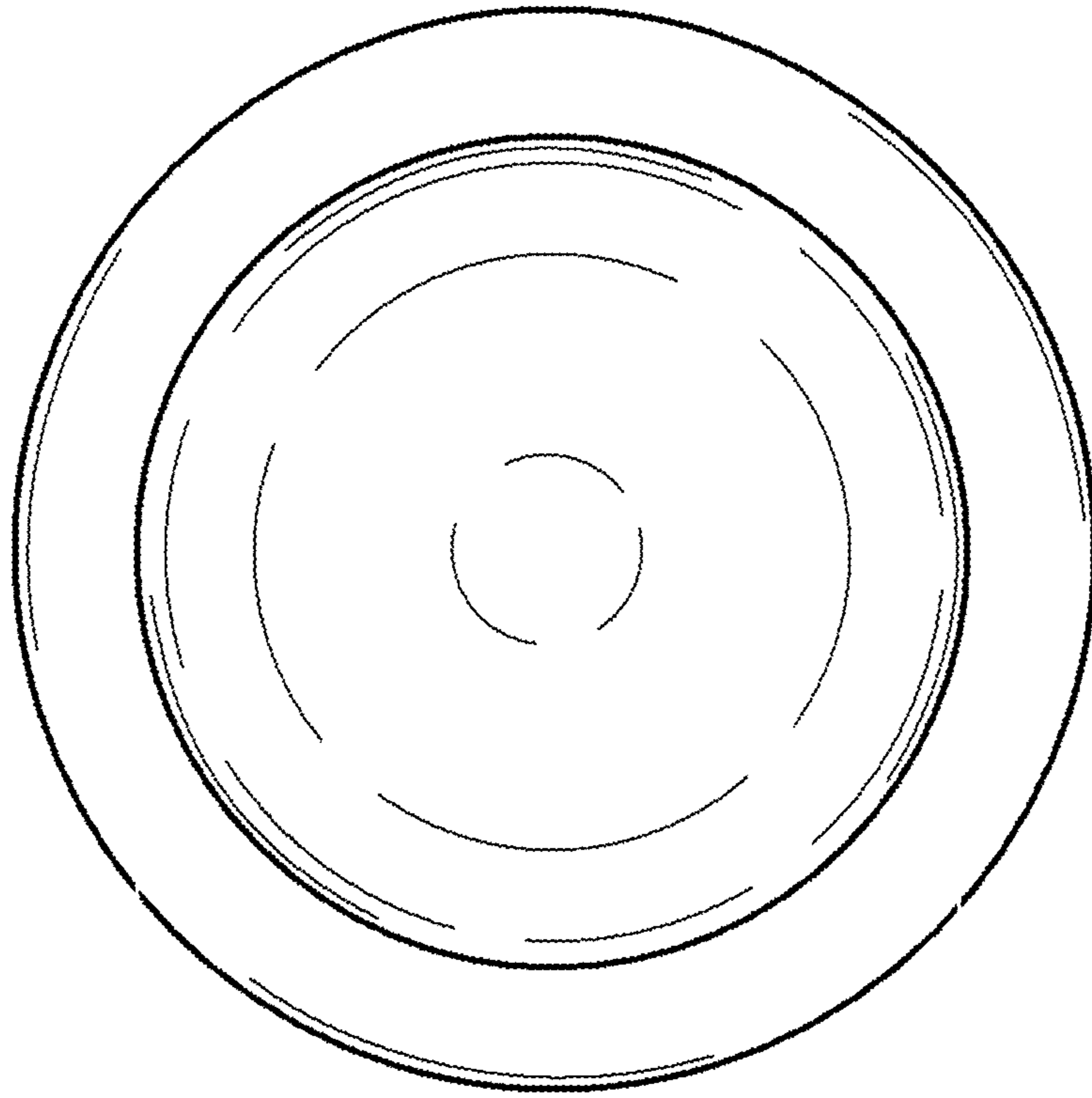


FIG. 3

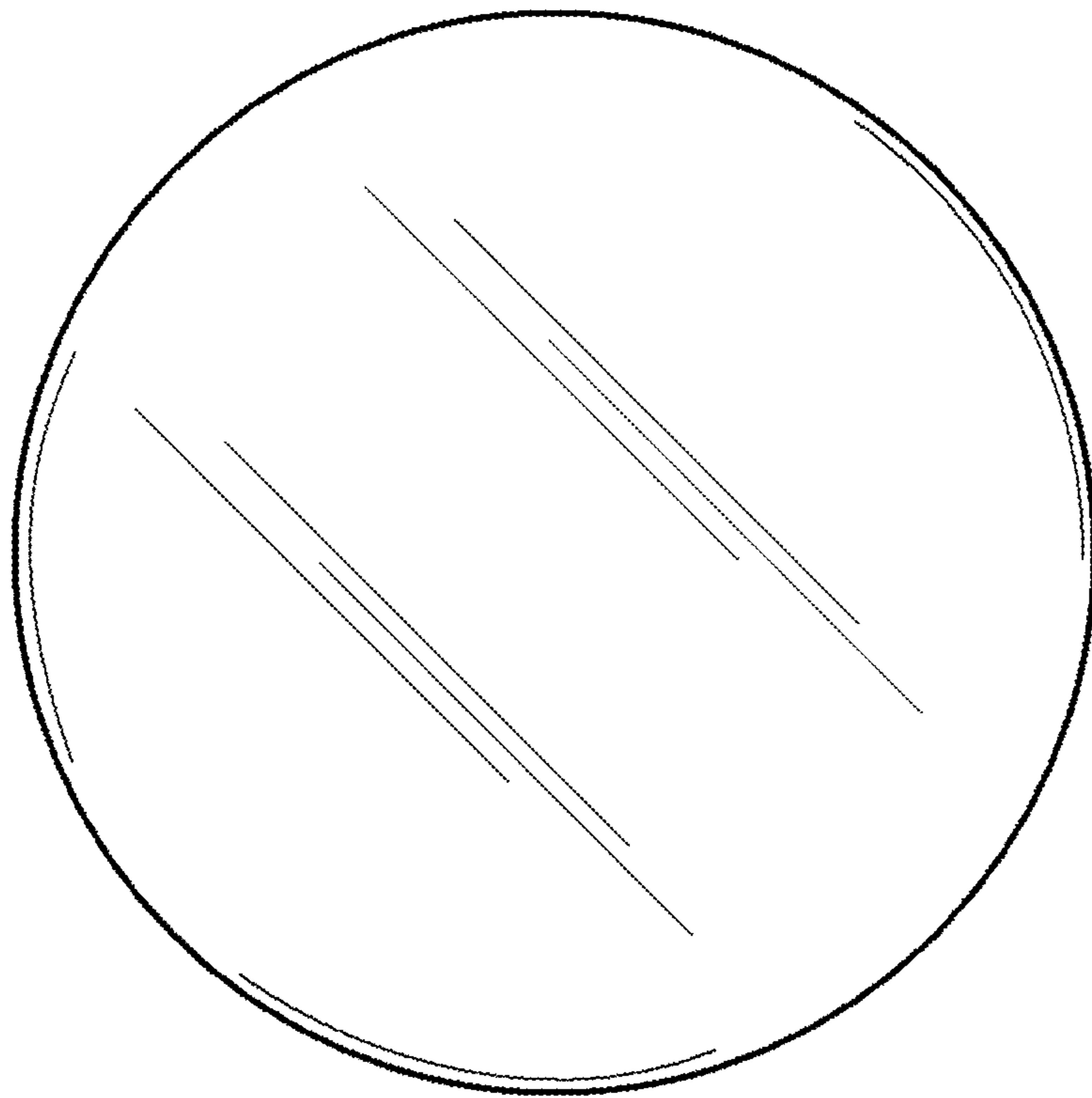


FIG. 4