



US00D911160S

(12) **United States Design Patent**  
**DeArmond**

(10) **Patent No.:** **US D911,160 S**

(45) **Date of Patent:** **\*\* Feb. 23, 2021**

(54) **SET OF CLAMPS FOR A CARPENTER LEVEL**

(71) Applicant: **HANDY TOOLS LLC**, Silver Springs, FL (US)

(72) Inventor: **Keith DeArmond**, Silver Springs, FL (US)

(73) Assignee: **Handy Tools, LLC**, Silver Spring, FL (US)

(\*\*) Term: **15 Years**

(21) Appl. No.: **29/713,573**

(22) Filed: **Nov. 17, 2019**

(51) **LOC (13) Cl.** ..... **08-08**

(52) **U.S. Cl.**  
USPC ..... **D8/394**

(58) **Field of Classification Search**  
USPC ..... D8/71, 72, 73, 74, 349, 355, 376, 394, D8/395; D10/74  
CPC .... G01C 9/02; G01C 9/28; G01C 9/34; B25B 5/082; B25B 5/14; B23K 37/0435  
See application file for complete search history.

(56) **References Cited**

U.S. PATENT DOCUMENTS

4,513,955	A *	4/1985	Daubon	.....	B23K 37/0435
					269/155
D308,405	S *	6/1990	Yoder	.....	D22/134
5,065,522	A *	11/1991	Motoda	.....	B66C 23/54
					33/366.12
5,100,089	A *	3/1992	McLemore, Jr.	.....	G01C 9/28
					211/59.1
D337,934	S *	8/1993	Young	.....	D8/355
D358,798	S *	5/1995	Miller	.....	D12/223
D365,870	S *	1/1996	Miller	.....	D22/147
D375,032	S *	10/1996	Cottone	.....	D18/43
5,581,900	A *	12/1996	Payne	.....	F16B 2/06
					248/229.13

D391,150	S *	2/1998	Anderson	.....	D8/394
D392,171	S *	3/1998	Miller	.....	D8/72
D393,998	S *	5/1998	Anderson	.....	D8/394
5,749,151	A *	5/1998	Scott	.....	G01C 9/28
					33/370
D397,013	S *	8/1998	Horne	.....	D8/71
5,799,404	A *	9/1998	Payne	.....	F16B 2/06
					248/229.13
5,819,425	A *	10/1998	Payne	.....	F16B 2/06
					33/370
5,996,238	A *	12/1999	Yonke	.....	G01C 9/28
					33/371
D421,214	S *	2/2000	Koros	.....	D8/394
6,073,979	A *	6/2000	Nawalaniec	.....	B07B 1/46
					209/372
6,223,596	B1 *	5/2001	Wilkins	.....	G01F 23/30
					73/290 R

(Continued)

*Primary Examiner* — Steven J Czyz

(74) *Attorney, Agent, or Firm* — Chris Tanner; FYPA PLLC

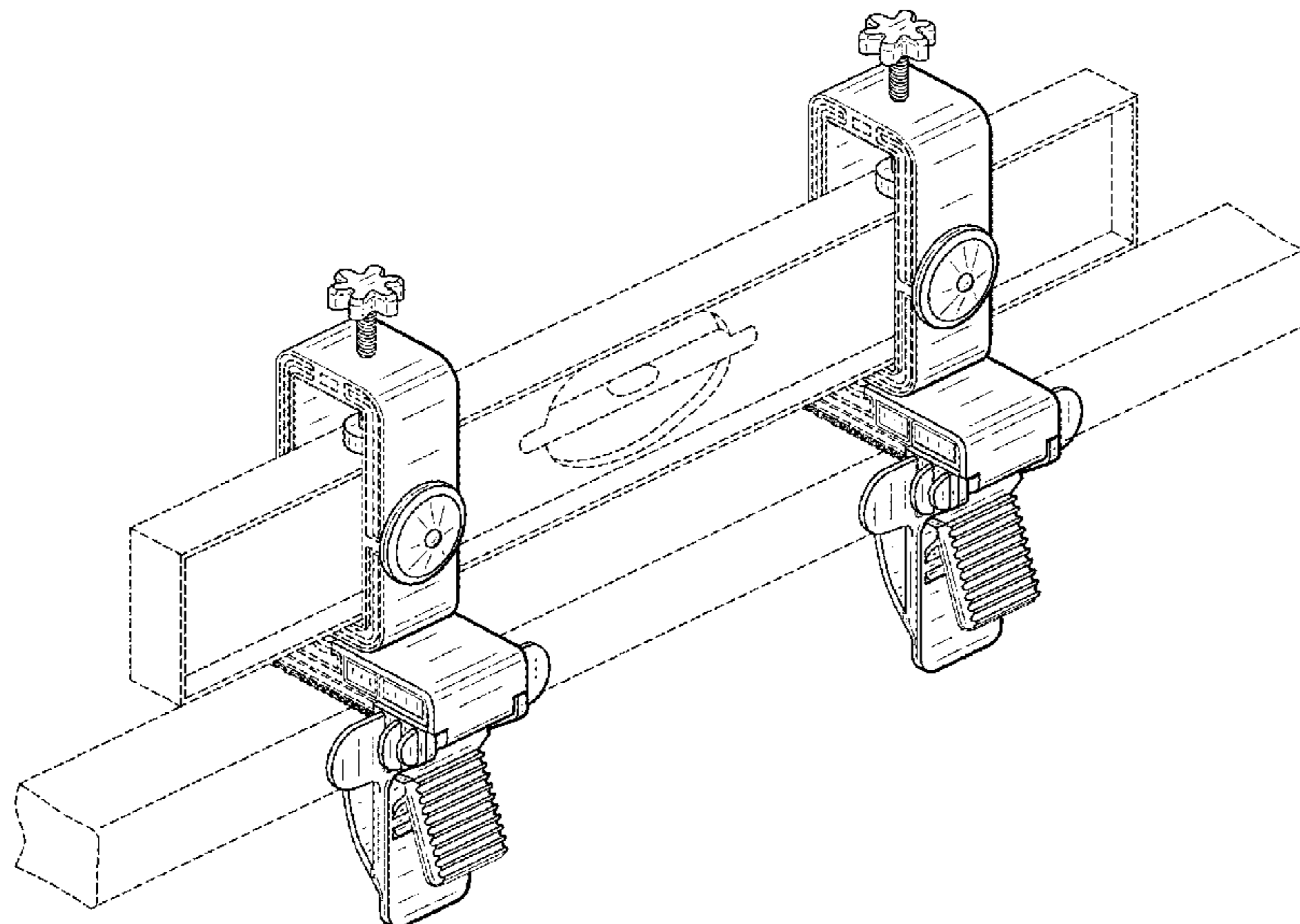
(57) **CLAIM**

The ornamental design for a set of clamps for a carpenter level, as shown and described.

**DESCRIPTION**

FIG. 1 is a perspective view of a set of clamps for a carpenter level;  
FIG. 2 is a front view of one of the clamps of the set of clamps for a carpenter level, shown separate for ease of disclosure;  
FIG. 3 is a rear view thereof;  
FIG. 4 is a left side view thereof;  
FIG. 5 is a right side view thereof;  
FIG. 6 is a top view thereof; and,  
FIG. 7 is a bottom view thereof.  
The broken lines depict portions of the article and environment that form no part of the claimed design.

**1 Claim, 6 Drawing Sheets**



(56)

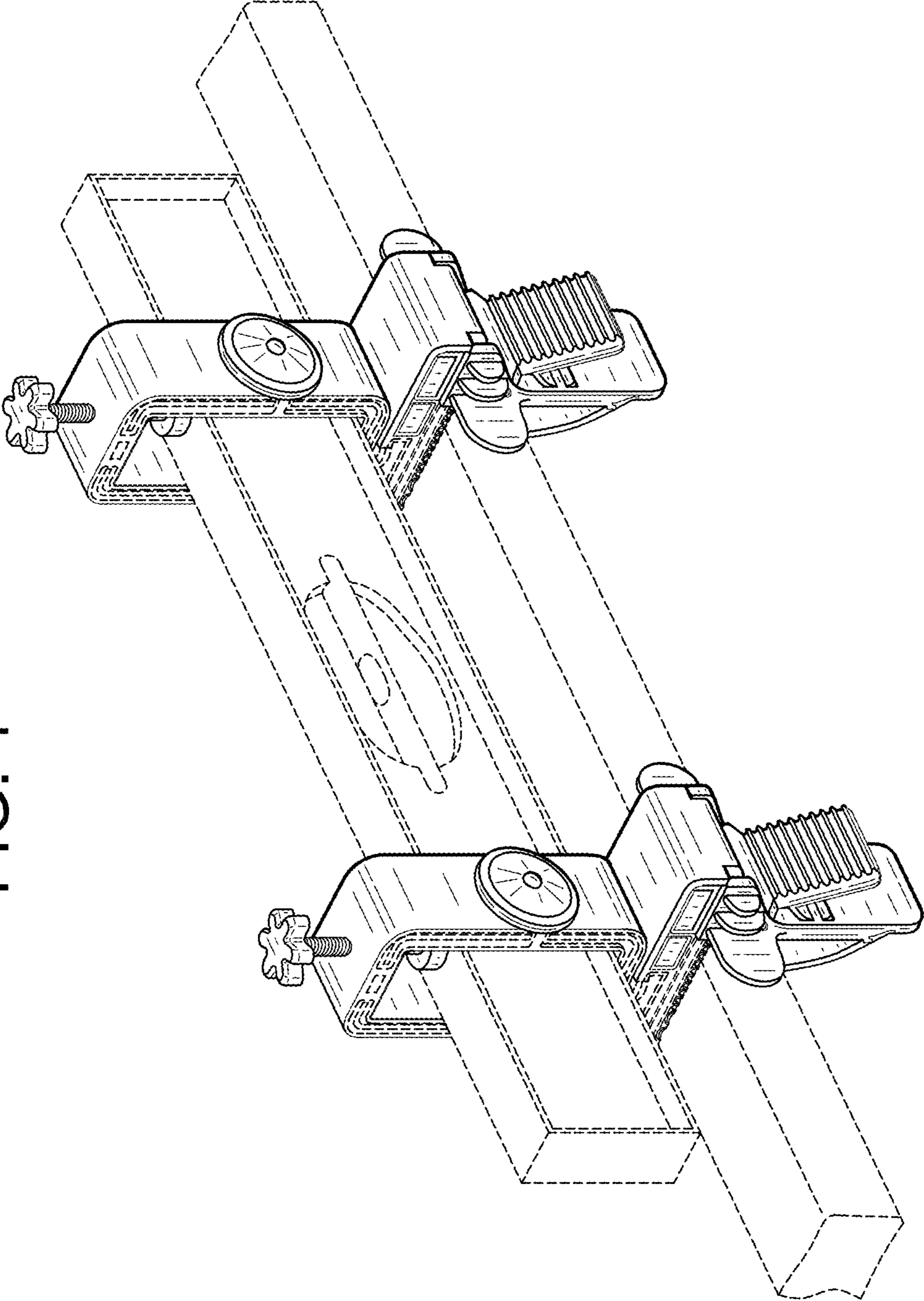
References Cited

U.S. PATENT DOCUMENTS

D443,493 S *	6/2001	Skeem	.....	D8/72	8,402,667 B2 *	3/2013	Spaulding	.....	G01C 9/26
6,253,608 B1 *	7/2001	Faulhaber	.....	G01F 23/74					33/372
				200/84 C	D766,075 S *	9/2016	Milbank	.....	D8/394
6,332,277 B1 *	12/2001	Owoc	.....	G01C 9/28	D777,547 S *	1/2017	Gassner	.....	D8/72
				33/373	D793,852 S *	8/2017	Rathman	.....	D8/395
6,351,875 B1 *	3/2002	Wright	.....	G01C 9/28	10,016,851 B1 *	7/2018	Dearmond	.....	G01C 9/28
				24/300	10,132,629 B2 *	11/2018	Zurek	.....	B25H 7/04
D489,011 S *	4/2004	Carey	.....	D10/69	2005/0120572 A1 *	6/2005	Valenti	.....	E04F 21/0023
7,089,676 B2 *	8/2006	Godinez	.....	G01C 9/18					33/371
				33/371	2006/0123644 A1 *	6/2006	Szumer	.....	G01C 9/28
D548,573 S *	8/2007	Bascom	.....	D8/354					33/374
7,520,065 B2 *	4/2009	Vernola	.....	G01C 9/28	2006/0137200 A1 *	6/2006	Lollar	.....	G01C 9/00
				33/371					33/371
7,552,540 B2 *	6/2009	Ming	.....	G01C 9/28	2008/0235967 A1 *	10/2008	Gentleman	.....	G01C 9/28
				33/347					33/372
D642,040 S *	7/2011	Romine	.....	D8/72	2009/0229136 A1 *	9/2009	Howard	.....	G01C 9/26
D664,822 S *	8/2012	Romine	.....	D8/72					33/301
					2011/0248436 A1 *	10/2011	Lin	.....	B25B 5/067
									269/42
					2020/0130144 A1 *	4/2020	DeArmond	.....	G01C 9/28

\* cited by examiner

FIG. 1





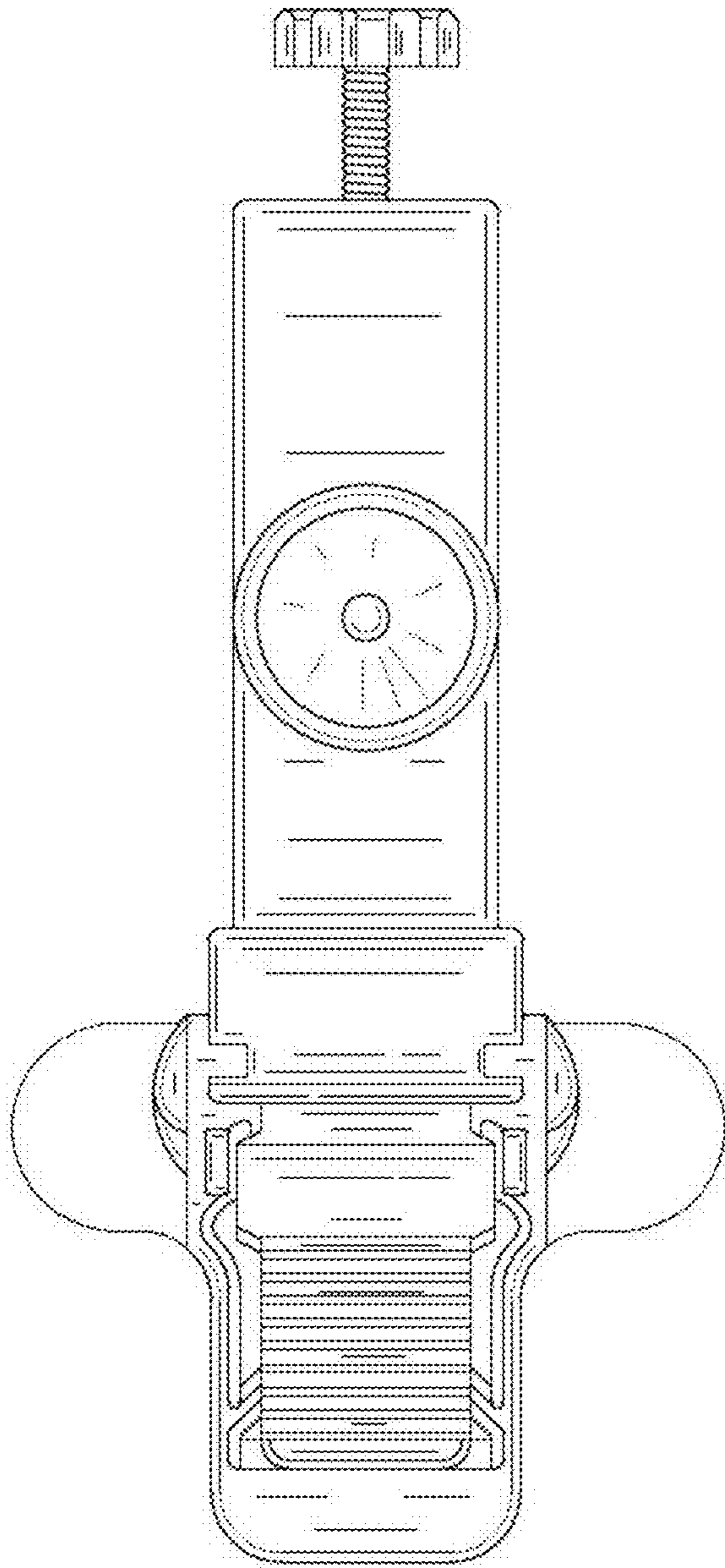


FIG. 2

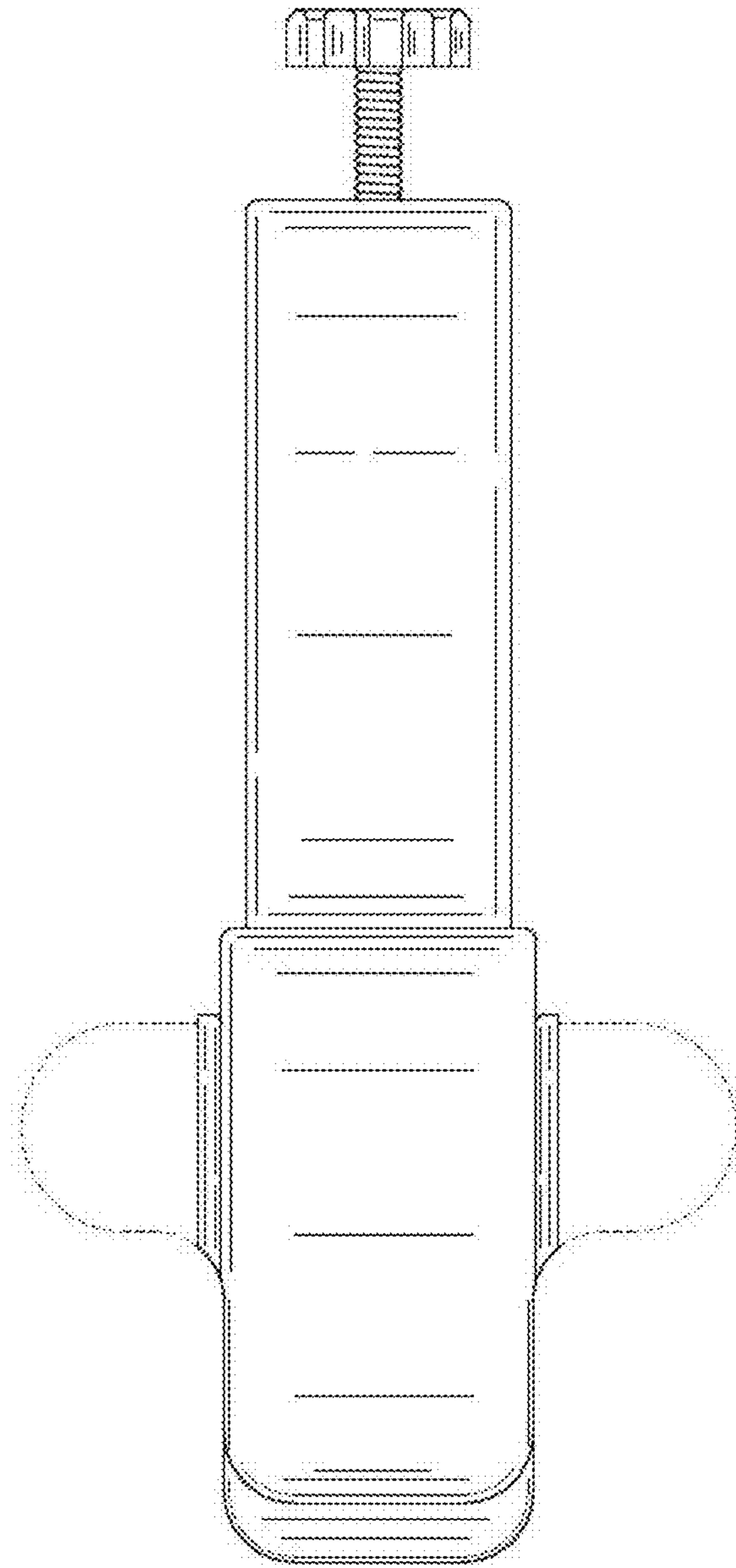


FIG. 3

FIG. 4

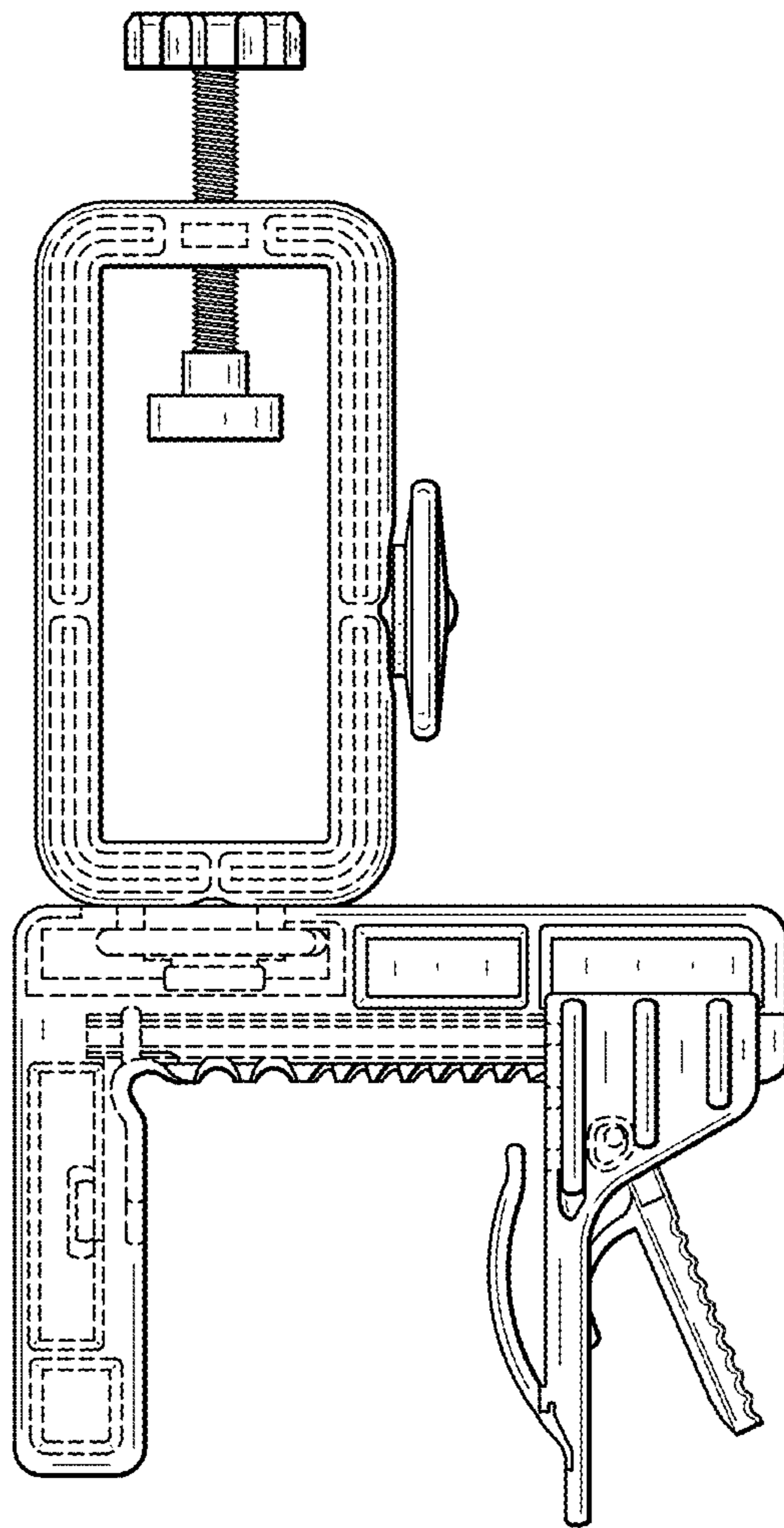
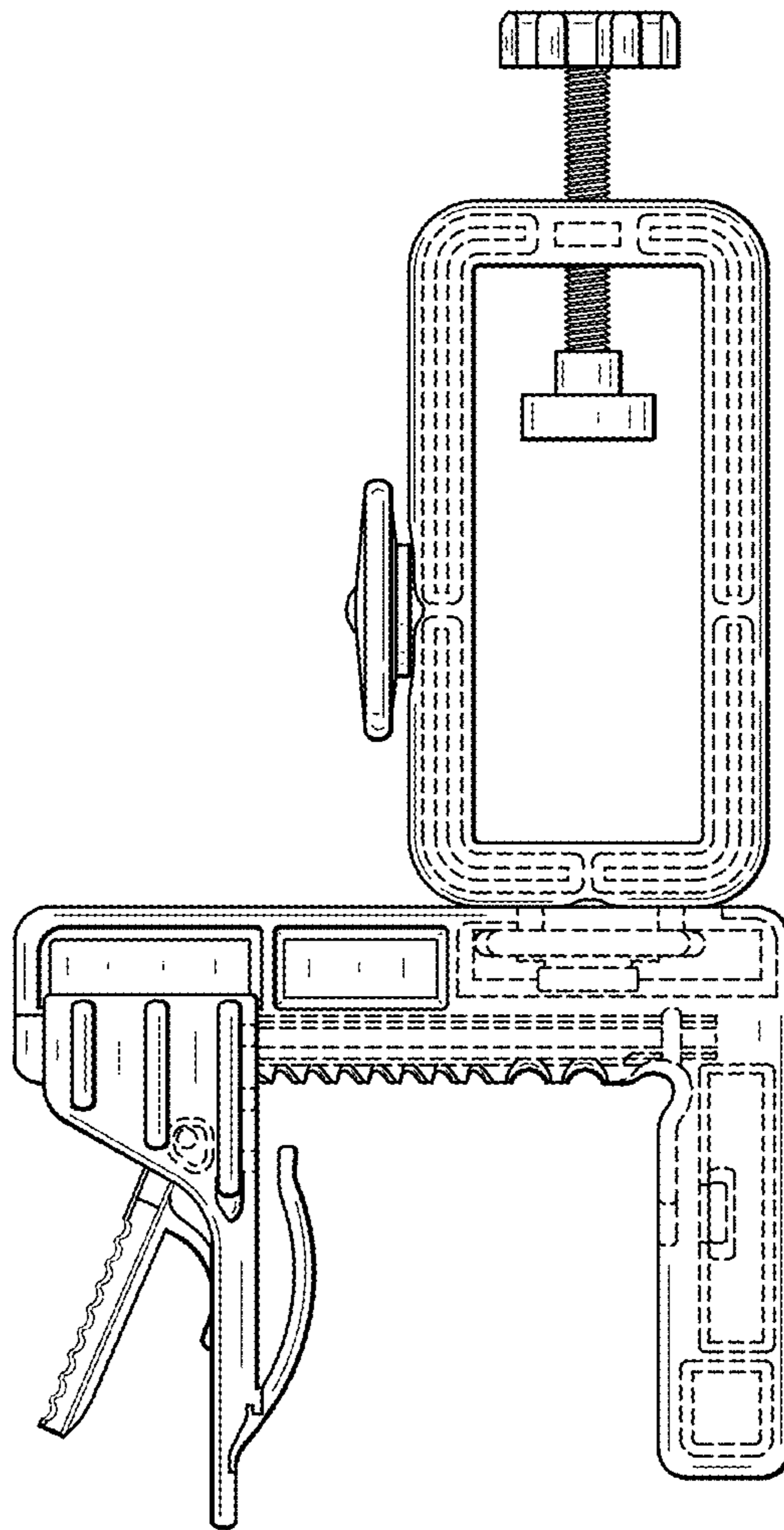


FIG. 5



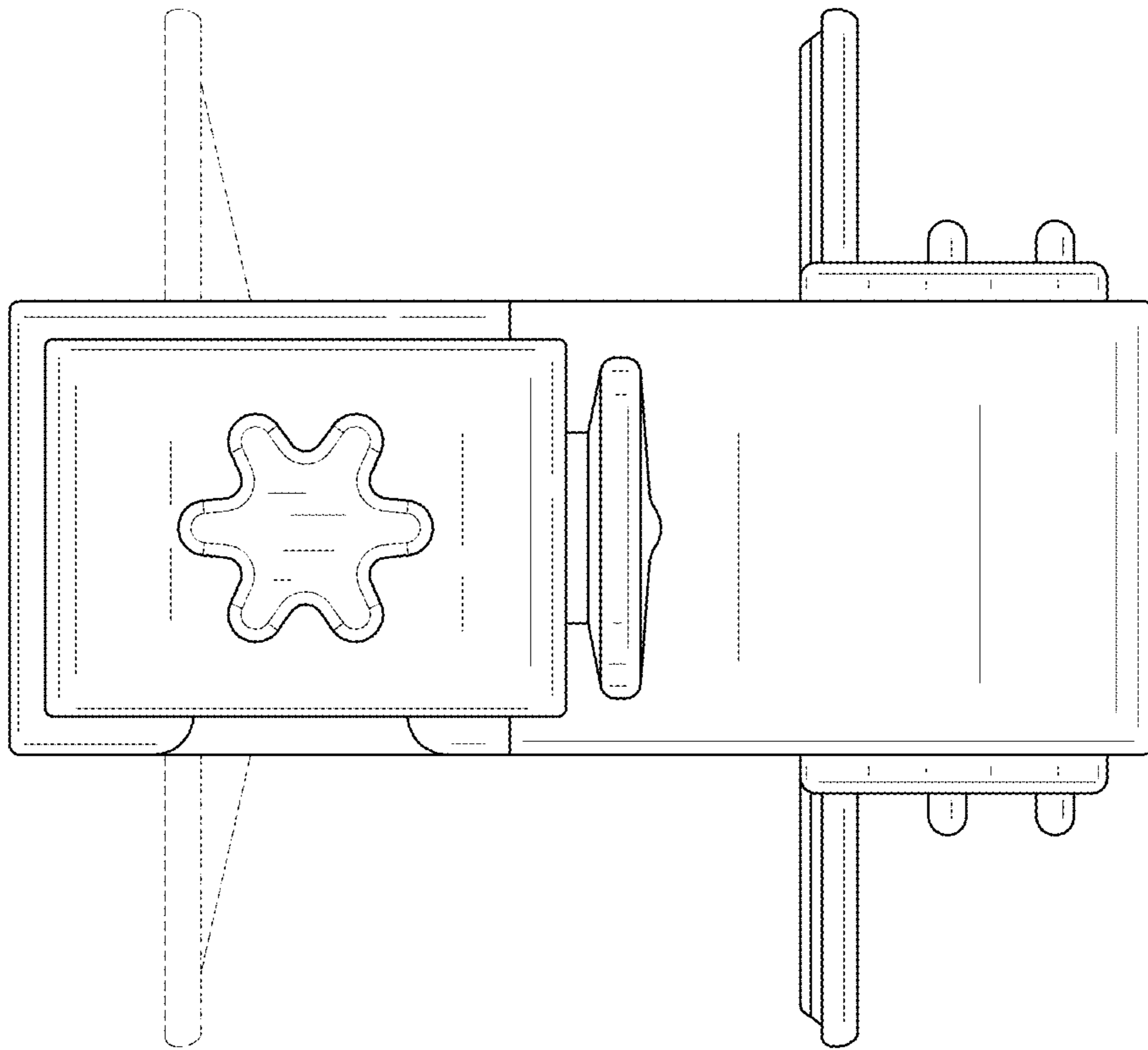


FIG. 6

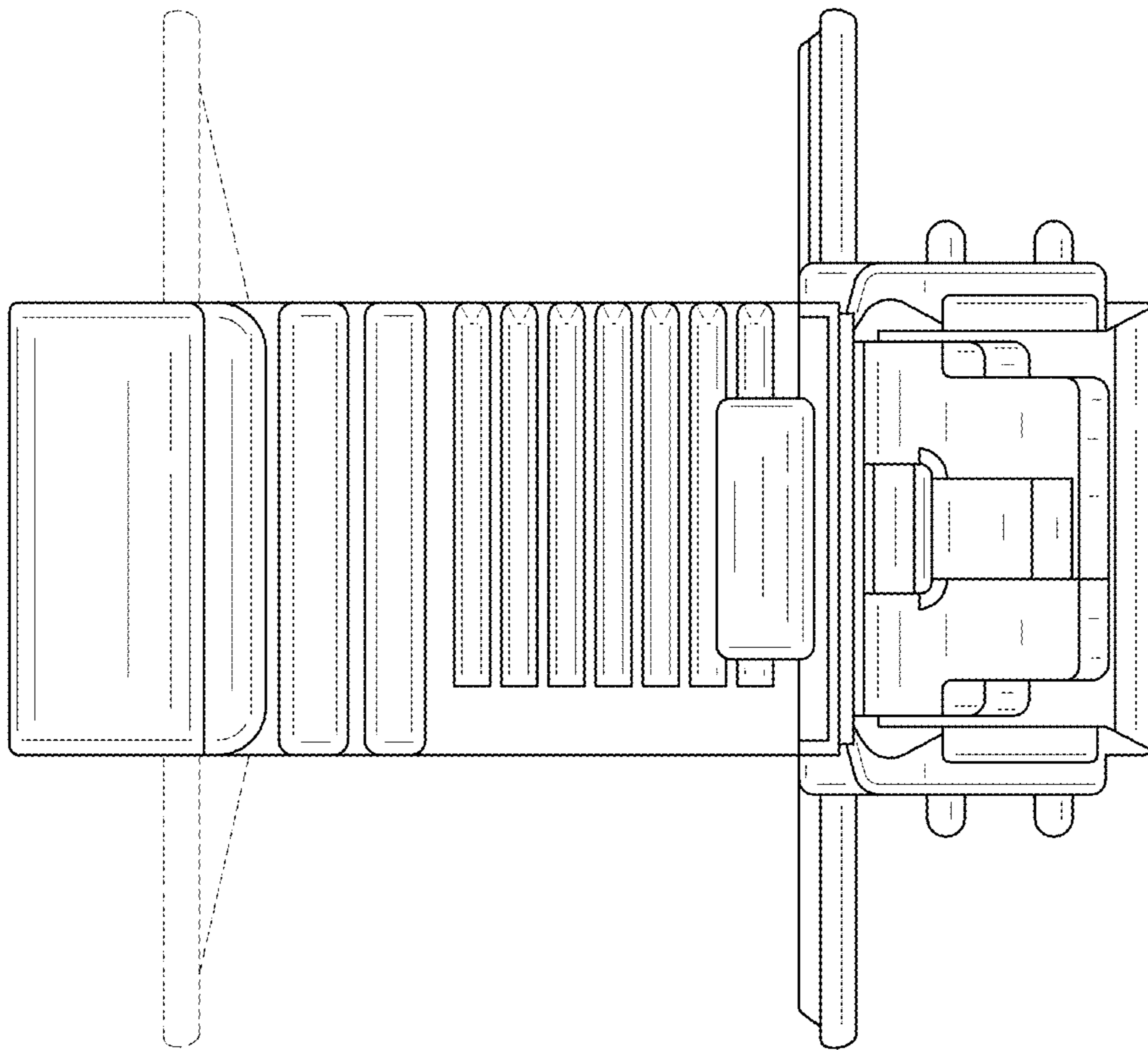


FIG. 7