



US00D911159S

(12) **United States Design Patent**  
**Black**

(10) **Patent No.:** **US D911,159 S**

(45) **Date of Patent:** **\*\* Feb. 23, 2021**

- (54) **CLIP**
- (71) Applicant: **Jasper & Black**, San Francisco, CA (US)
- (72) Inventor: **Jeremy P. Black**, San Francisco, CA (US)
- (73) Assignee: **Jasper & Black**, Tucson, AZ (US)
- (\*\*) Term: **15 Years**
- (21) Appl. No.: **29/707,457**
- (22) Filed: **Sep. 27, 2019**
- (51) **LOC (13) Cl.** ..... **08-08**
- (52) **U.S. Cl.**  
USPC ..... **D8/394**
- (58) **Field of Classification Search**  
USPC ..... D8/382, 394, 395; D11/215, 78.1  
CPC ..... A45C 2001/062; Y10T 24/1394; Y10T 24/44; Y10T 24/44923; Y10T 24/44769; B42F 1/06  
See application file for complete search history.

- 4,757,927 A \* 7/1988 Ritty ..... A45F 5/02 224/269
- 4,784,199 A \* 11/1988 Wise ..... A45C 1/08 150/134
- D350,947 S \* 9/1994 Klinger ..... D14/454
- 5,358,019 A \* 10/1994 Sumner, III ..... A45C 1/06 150/137
- D355,097 S \* 2/1995 Ostensen ..... D7/601
- D369,954 S \* 5/1996 Otramba ..... D8/356
- D370,408 S \* 6/1996 Van Dyke ..... D3/222
- 5,538,311 A \* 7/1996 Fusco ..... B60R 7/05 224/312
- D378,531 S \* 3/1997 Szikszay ..... D19/65
- 5,606,777 A \* 3/1997 Lu ..... B42F 1/06 24/545
- 5,697,131 A \* 12/1997 Hunt ..... B42F 1/06 24/336
- D437,613 S \* 2/2001 Melnyk ..... D19/34
- D453,294 S \* 2/2002 Bitzer ..... D8/395

(Continued)

*Primary Examiner* — Steven J Czyz  
(74) *Attorney, Agent, or Firm* — Christensen, Fonder, Dardi & Herbert PLLC

(57) **CLAIM**

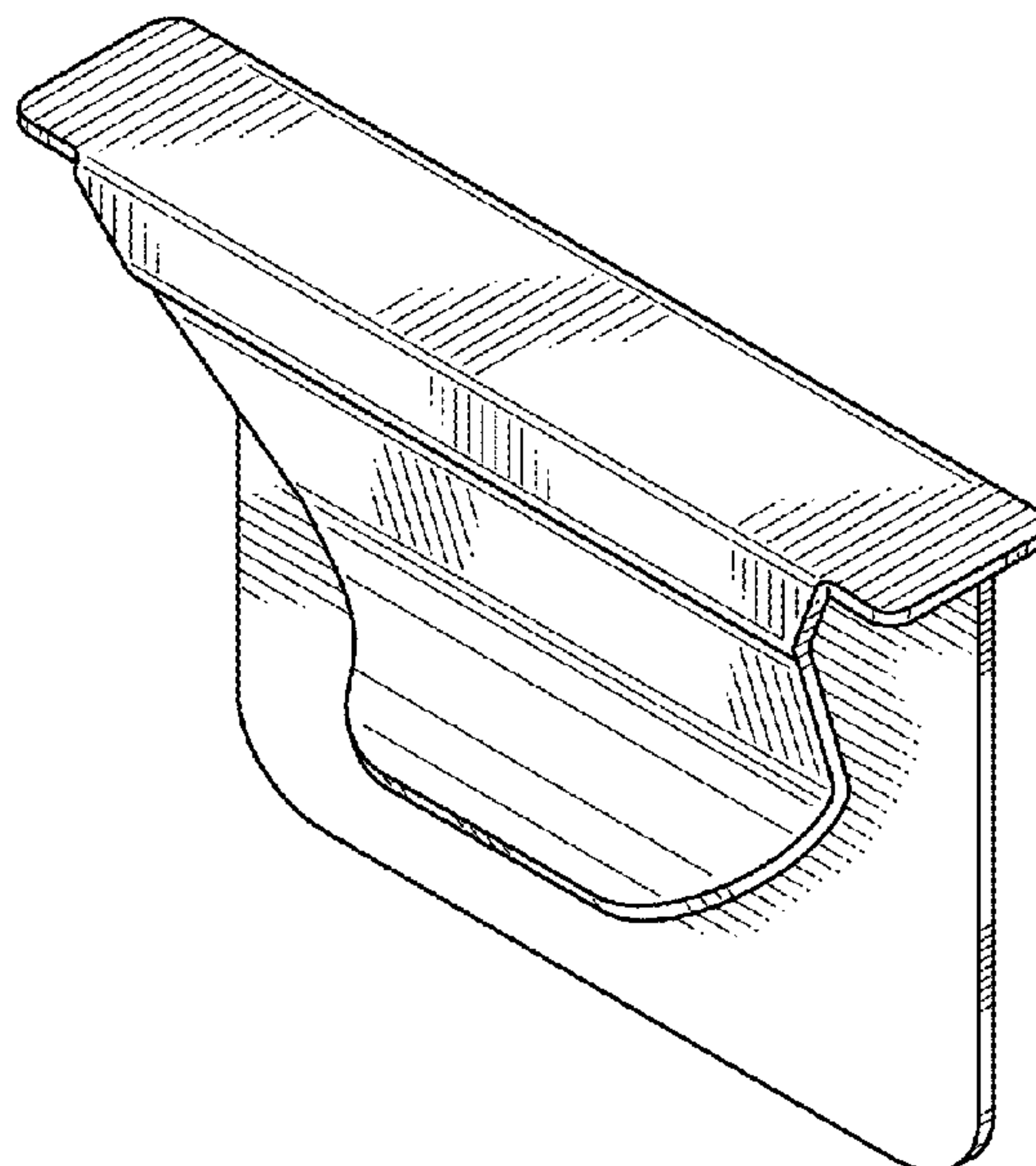
I claim the ornamental design for a clip, as shown and described.

**DESCRIPTION**

FIG. 1 is a front perspective view of the clip; FIG. 2 is a top view of the clip of FIG. 1; FIG. 3 is a left-side view of the clip of FIG. 1; FIG. 4 is a right-side view of the clip of FIG. 1; FIG. 5 is a bottom view of the clip of FIG. 1; FIG. 6 is a front view of the clip of FIG. 1; FIG. 7 is a rear perspective view of the clip of FIG. 1; and, FIG. 8 is a top perspective view of the clip, shown in use with environment.  
The broken lines depict environment that form no part of the claimed design.

**1 Claim, 3 Drawing Sheets**

- (56) **References Cited**  
U.S. PATENT DOCUMENTS
- 1,857,488 A \* 5/1932 Weeks ..... B42F 1/06 24/563
- 2,614,305 A \* 10/1952 Yeardley ..... A45F 5/022 24/3.8
- 3,027,995 A \* 4/1962 Littman ..... A45C 1/02 206/0.81
- 4,226,006 A \* 10/1980 Toyama ..... A45C 13/18 24/3.12
- D268,300 S \* 3/1983 Richards ..... D3/215
- 4,619,020 A \* 10/1986 Lecher, Sr. .... A45F 5/02 224/269
- 4,705,086 A \* 11/1987 O'Neill ..... A45C 1/04 150/134



(56)

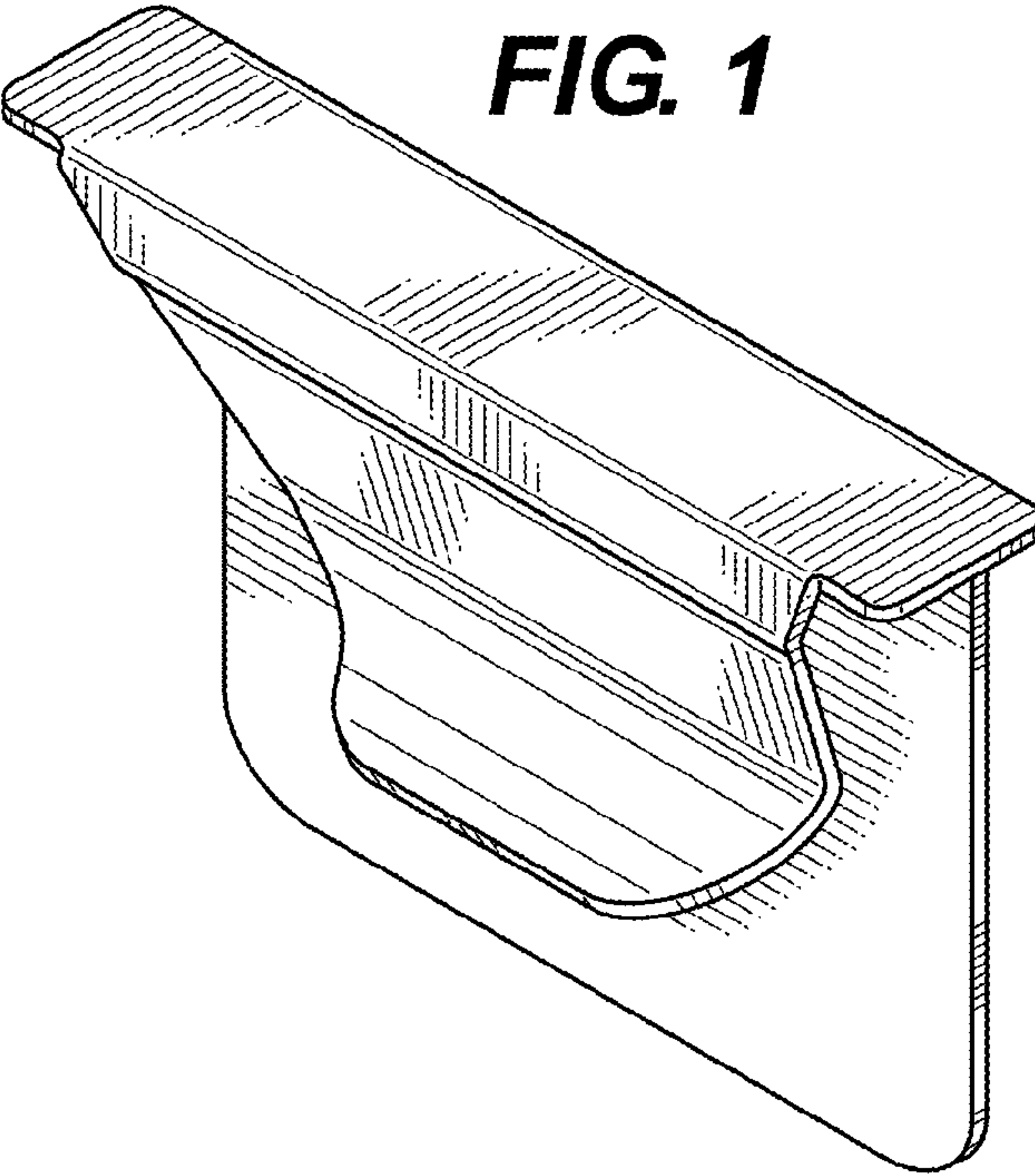
**References Cited**

U.S. PATENT DOCUMENTS

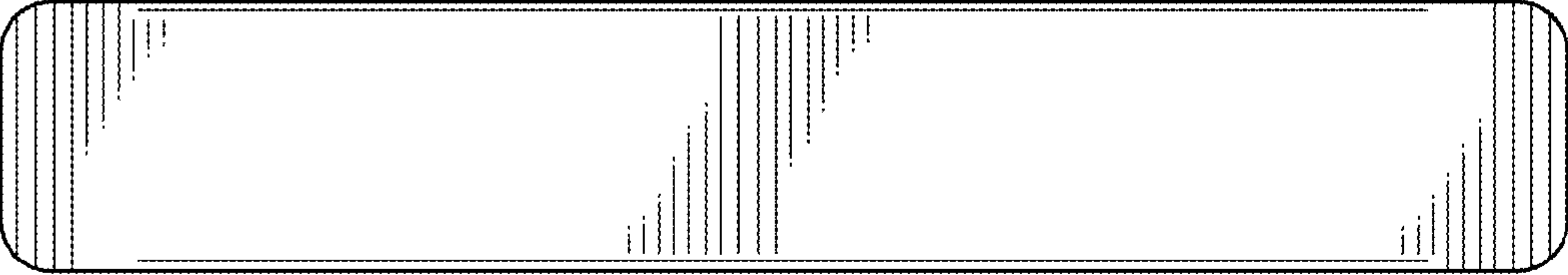
D492,351 S *	6/2004	Sato .....	D19/34
D505,355 S *	5/2005	Elnekaveh .....	D11/78.1
D525,162 S *	7/2006	Suman .....	D11/78.1
D591,044 S *	4/2009	Lakhiani .....	D3/249
D597,827 S *	8/2009	Brassard .....	D8/395
D623,048 S *	9/2010	Moy .....	G09F 23/00 D8/395
D677,193 S *	3/2013	MacDonald .....	D11/78.1
D710,741 S *	8/2014	Hirschorn .....	D11/78.1
D717,197 S *	11/2014	Kinsky .....	D11/78.1
D717,639 S *	11/2014	Austin .....	D8/395
D757,533 S *	5/2016	Ormsbee .....	D8/395
9,826,810 B2 *	11/2017	Singer .....	A45C 1/06
D806,529 S *	1/2018	Olenick .....	D8/399
D850,305 S *	6/2019	Valentine .....	D10/71
D854,406 S *	7/2019	Chen .....	D8/395

\* cited by examiner

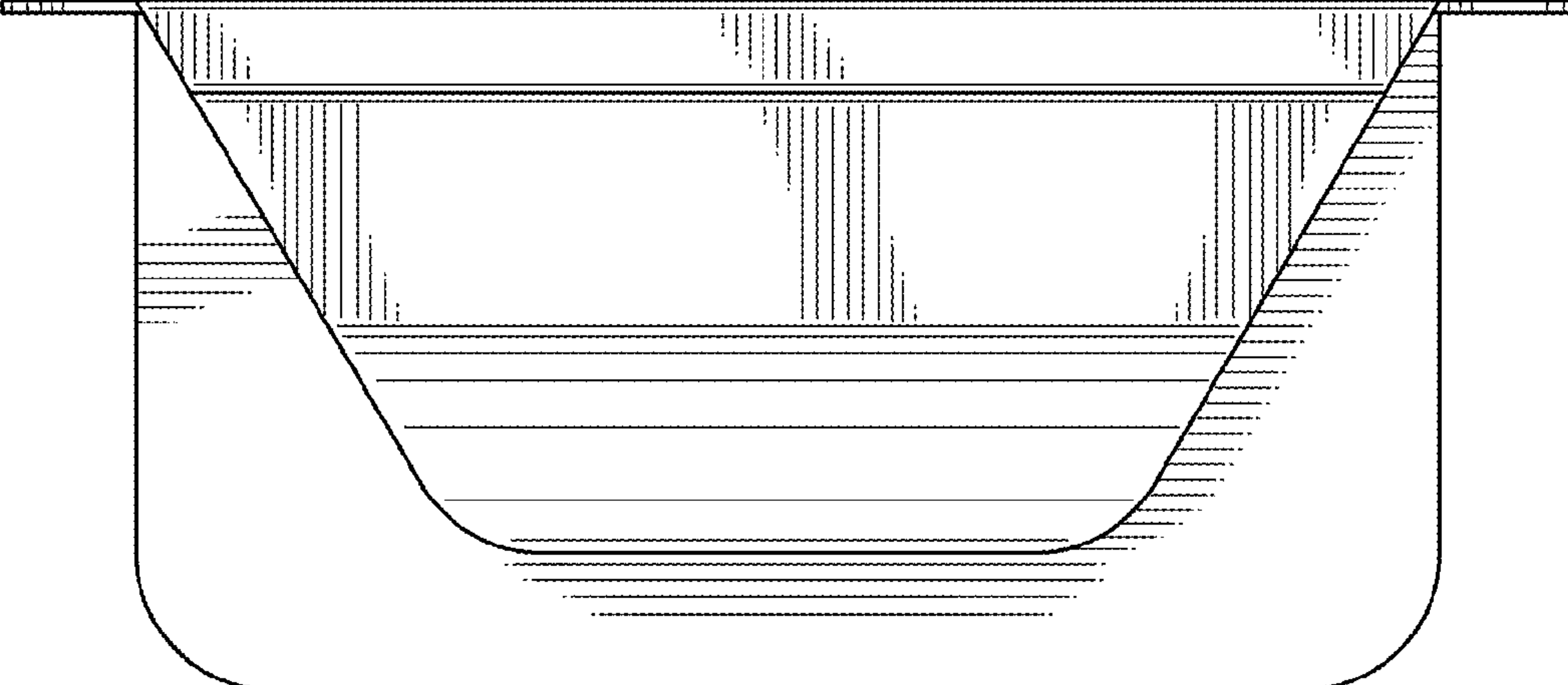
**FIG. 1**



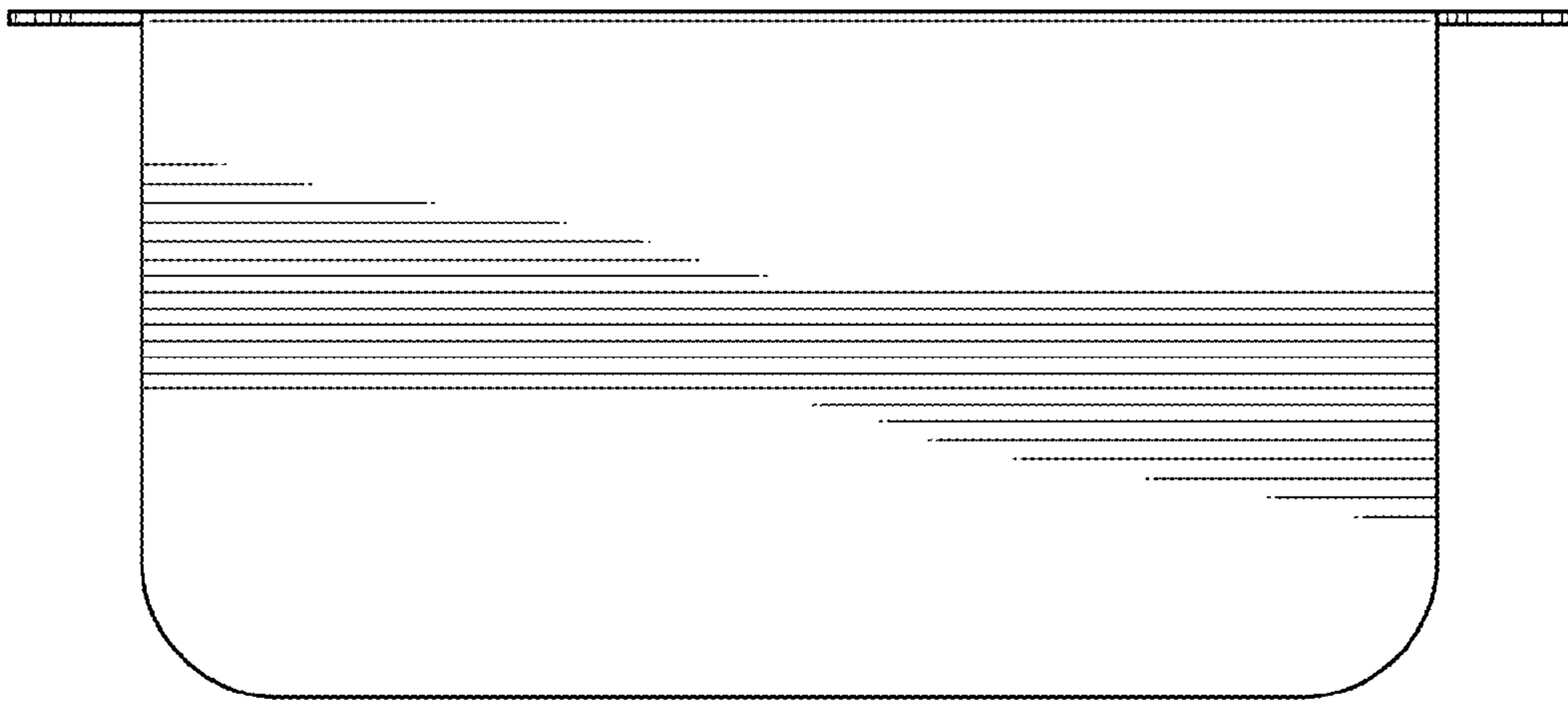
**FIG. 2**



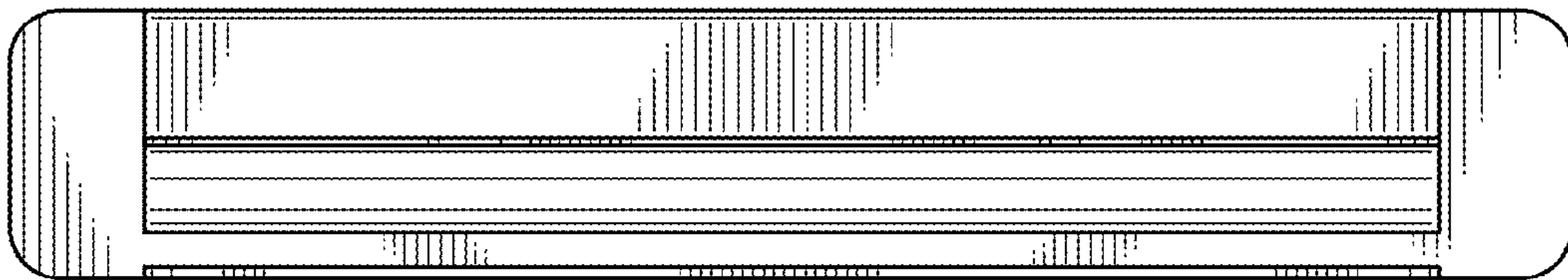
**FIG. 3**



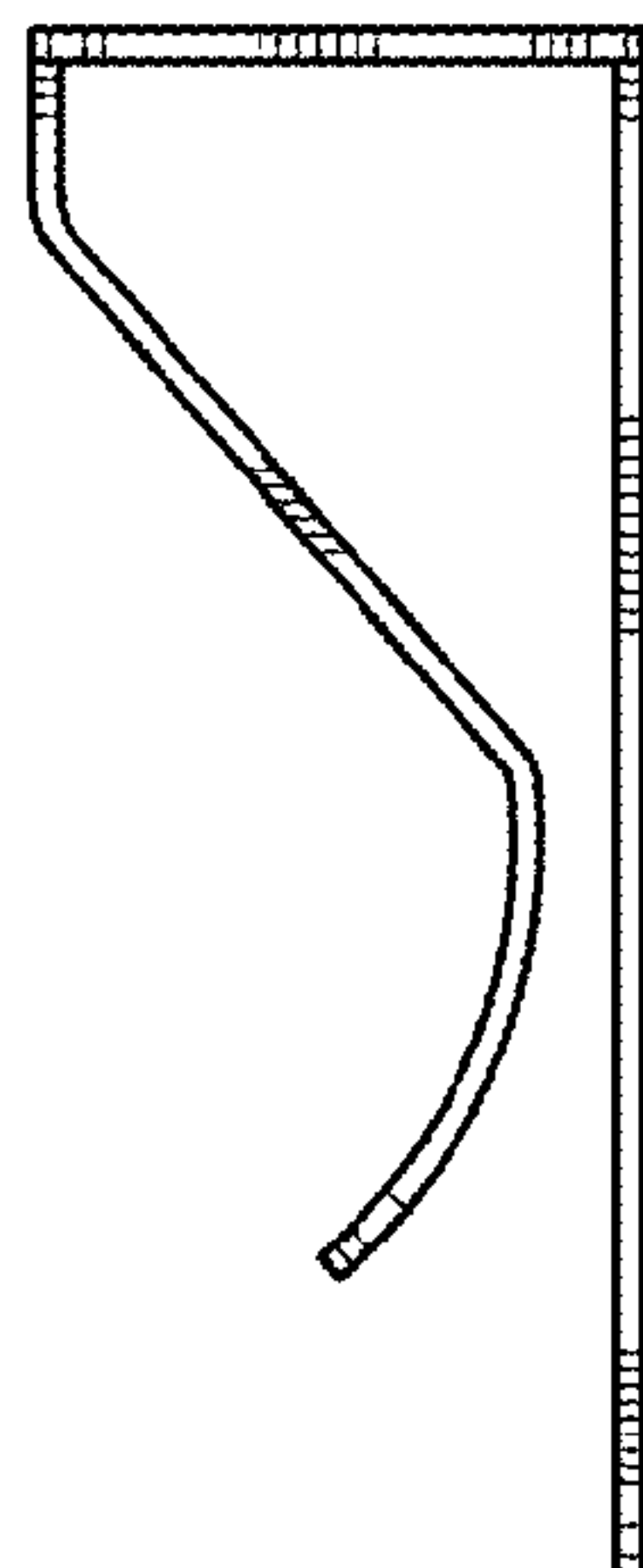
**FIG. 4**



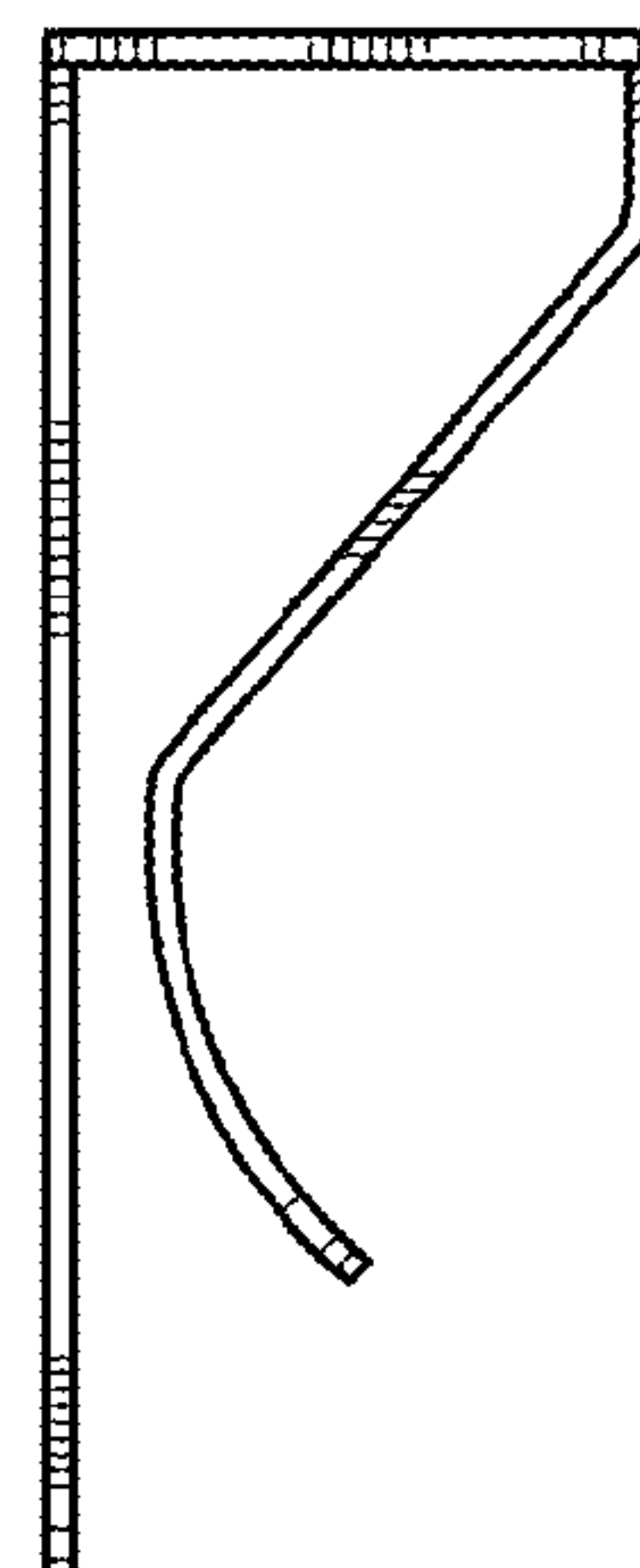
**FIG. 5**



**FIG. 6**



**FIG. 7**



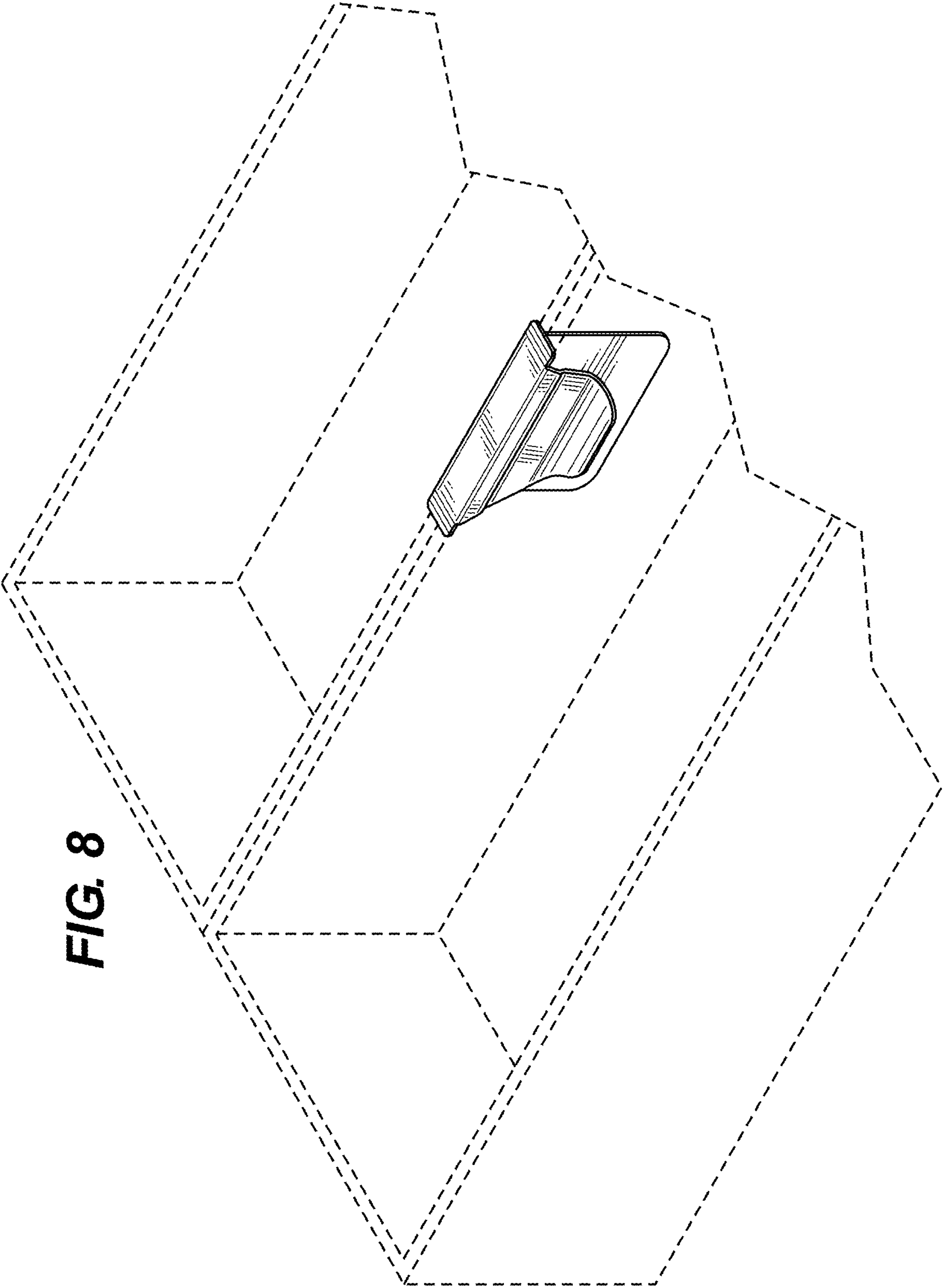


FIG. 8