



US00D911158S

(12) **United States Design Patent**  
**Jenkins**

(10) **Patent No.:** **US D911,158 S**

(45) **Date of Patent:** **\*\* Feb. 23, 2021**

(54) **CLAMP**

(71) Applicant: **Doughty Engineering Limited,**  
Ringwood (GB)

(72) Inventor: **Martyn Harry Jenkins,** Salisbury (GB)

(73) Assignee: **Doughty Engineering Limited,**  
Ringwood (GB)

(\*\*) Term: **15 Years**

(21) Appl. No.: **29/683,457**

(22) Filed: **Mar. 13, 2019**

(30) **Foreign Application Priority Data**

Sep. 14, 2018 (EM) ..... 005641164

(51) **LOC (13) Cl.** ..... **08-08**

(52) **U.S. Cl.**  
USPC ..... **D8/394; D8/382; D8/72**

(58) **Field of Classification Search**  
USPC ..... D8/5-32, 29.1, 29.2, 30-32, 349,  
D8/382-386, 396-399, 70, 71, 70.1,  
(Continued)

(56) **References Cited**

**U.S. PATENT DOCUMENTS**

D376,974 S \* 12/1996 Chen ..... 24/274 WB  
D453,671 S \* 2/2002 Von Fange ..... D8/72  
(Continued)

**FOREIGN PATENT DOCUMENTS**

CN 301579257 \* 11/2010  
CN 305565752 \* 6/2019

**OTHER PUBLICATIONS**

Anwenk 2Pack Super Clamp w/ 1/4"-20 and 3/8"-16 Thread Camera  
Clamp Mount Crab Clamp for Cameras, Date first available Mar. 6,

2018, [online]retrieved Jun. 23, 2020, available from internet,  
www.amazon.com (Year: 2018).\*

(Continued)

*Primary Examiner* — Keli L Hill

*Assistant Examiner* — Sara S Sahneh

(74) *Attorney, Agent, or Firm* — Shumaker & Sieffert,  
P.A.

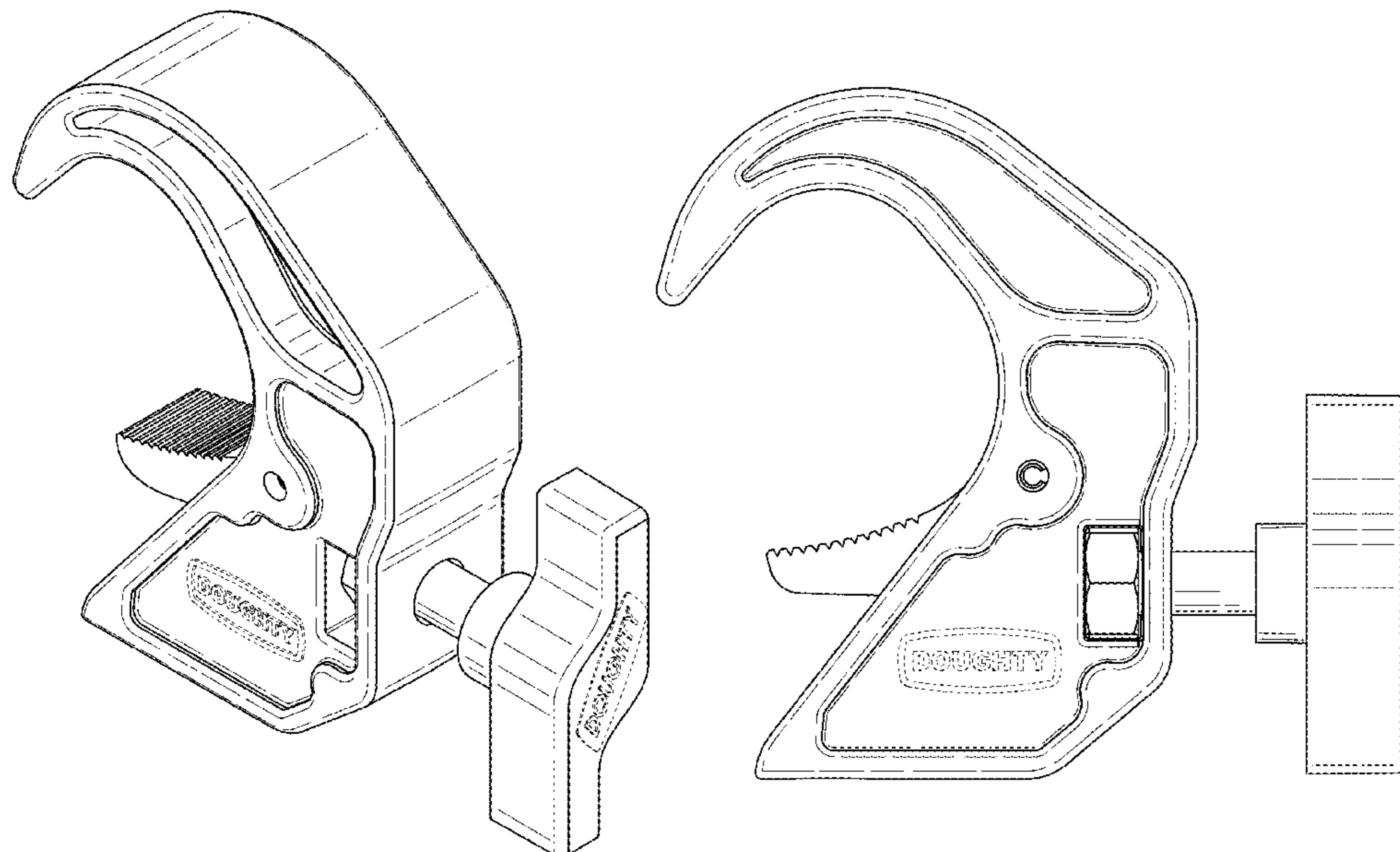
(57) **CLAIM**

The ornamental design for a clamp, as shown and described.

**DESCRIPTION**

FIG. 1 is a perspective view of the clamp showing my new design;  
FIG. 2 is a first side view of the clamp;  
FIG. 3 is a second side view of the clamp showing the side opposite the first side;  
FIG. 4 is a front side view of the clamp;  
FIG. 5 is a back side view of the clamp;  
FIG. 6 is a top view of the clamp;  
FIG. 7 is a bottom view of the clamp;  
FIG. 8 is a perspective view of the clamp clamped on a pipe;  
FIG. 9 is a first side view of the clamp clamped on a pipe;  
FIG. 10 is a second side view of the clamp showing the side opposite the first side with the clamp clamped on a pipe;  
FIG. 11 is a front side view of the clamp clamped on a pipe;  
FIG. 12 is a back side view of the clamp clamped on a pipe;  
FIG. 13 is a top view of the clamp clamped on a pipe; and,  
FIG. 14 is a bottom view of the clamp clamped on a pipe.  
The broken line showing of pipe is included for the purpose of illustrating environmental structure while all other broken lines illustrate portions of the clamp; the broken lines form no part of the claimed design.

**1 Claim, 11 Drawing Sheets**



(58) **Field of Classification Search**

USPC ..... D8/72–74, 471, 83, 104–107, 354, 361,  
 D8/362, 360, 360.1, 363–372, 355–359;  
 81/487, 60, 186, 124, 4, 121.1, 63.1, 119,  
 81/489, 177.1, 177.2, 177.85, 177.8, 62,  
 81/61  
 CPC .... F16M 13/022; F16M 11/16; F16M 11/104;  
 A61G 13/101; A47B 96/06; F16B 2/10;  
 F16B 45/00; A47G 25/483

See application file for complete search history.

(56) **References Cited**

U.S. PATENT DOCUMENTS

D749,835 S \* 2/2016 Whitaker ..... D3/10  
 9,273,825 B1 \* 3/2016 Holloway ..... F16M 13/022  
 D768,754 S \* 10/2016 Bennett ..... D16/242  
 D819,806 S \* 6/2018 Koehler ..... D24/128  
 2002/0000498 A1 \* 1/2002 Workman ..... F16L 3/243  
 248/62  
 2010/0207385 A1 \* 8/2010 Nishimura ..... F16B 2/10  
 285/364

2015/0108306 A1 \* 4/2015 Chuang ..... F16M 13/022  
 248/231.51  
 2016/0161341 A1 \* 6/2016 Yumoto ..... G01K 1/143  
 248/230.4  
 2016/0281920 A1 \* 9/2016 Perez ..... A61G 13/101  
 2017/0205024 A1 \* 7/2017 Hennessey ..... H04R 1/08  
 2018/0073528 A1 \* 3/2018 Pryor ..... B25B 5/06

OTHER PUBLICATIONS

Tishita, Anti-Slip Rubber Pad Camera Clamp, Protects Against,  
 Date first available Jun. 17, 2020, [online]retrieved Jun. 23, 2020,  
 available from internet, [www.amazon.com](http://www.amazon.com) (Year: 2020).\*

Smallrig, Super Clamp with 1/4" Thread Holes, 3/8" Locating Pin for  
 ARRI Standard, T-Shaped Wingnut and Rubber Pads—2220, Date  
 first available Nov. 28, 2018, [online]retrieved Jun. 23, 2020,  
 available from internet, [www.amazon.com](http://www.amazon.com) (Year: 2018).\*

Doughty Engineering, Fifty Clamp, [online]retrieved Jul. 15, 2020,  
 available from internet [www.doughty-usa.com/cgi-bin/trolleyed\\_](http://www.doughty-usa.com/cgi-bin/trolleyed_public.cgi?action=showprod_T58410)  
[public.cgi?action=showprod\\_T58410](http://www.doughty-usa.com/cgi-bin/trolleyed_public.cgi?action=showprod_T58410) (Year: 2020).\*

\* cited by examiner

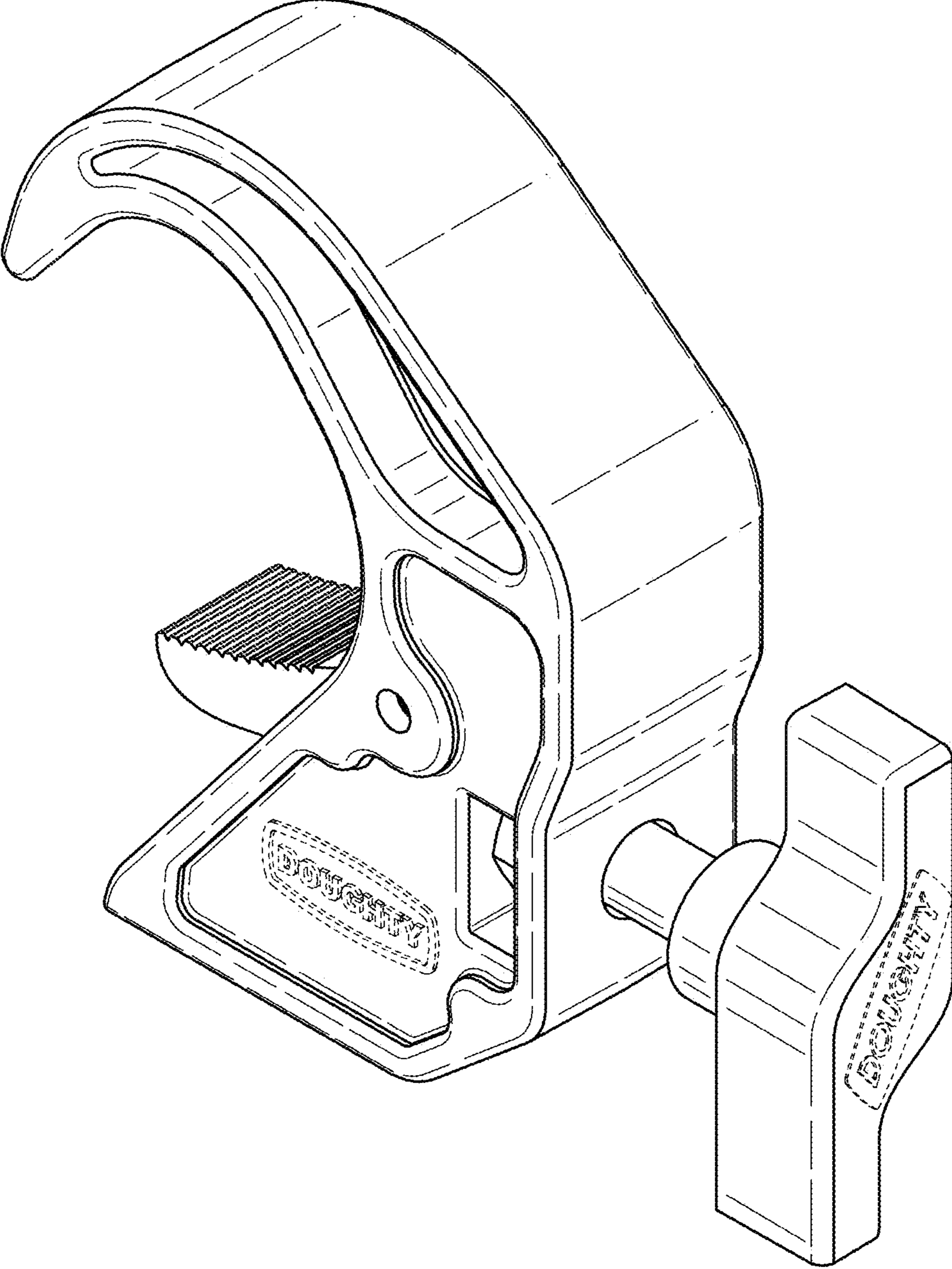


FIG. 1

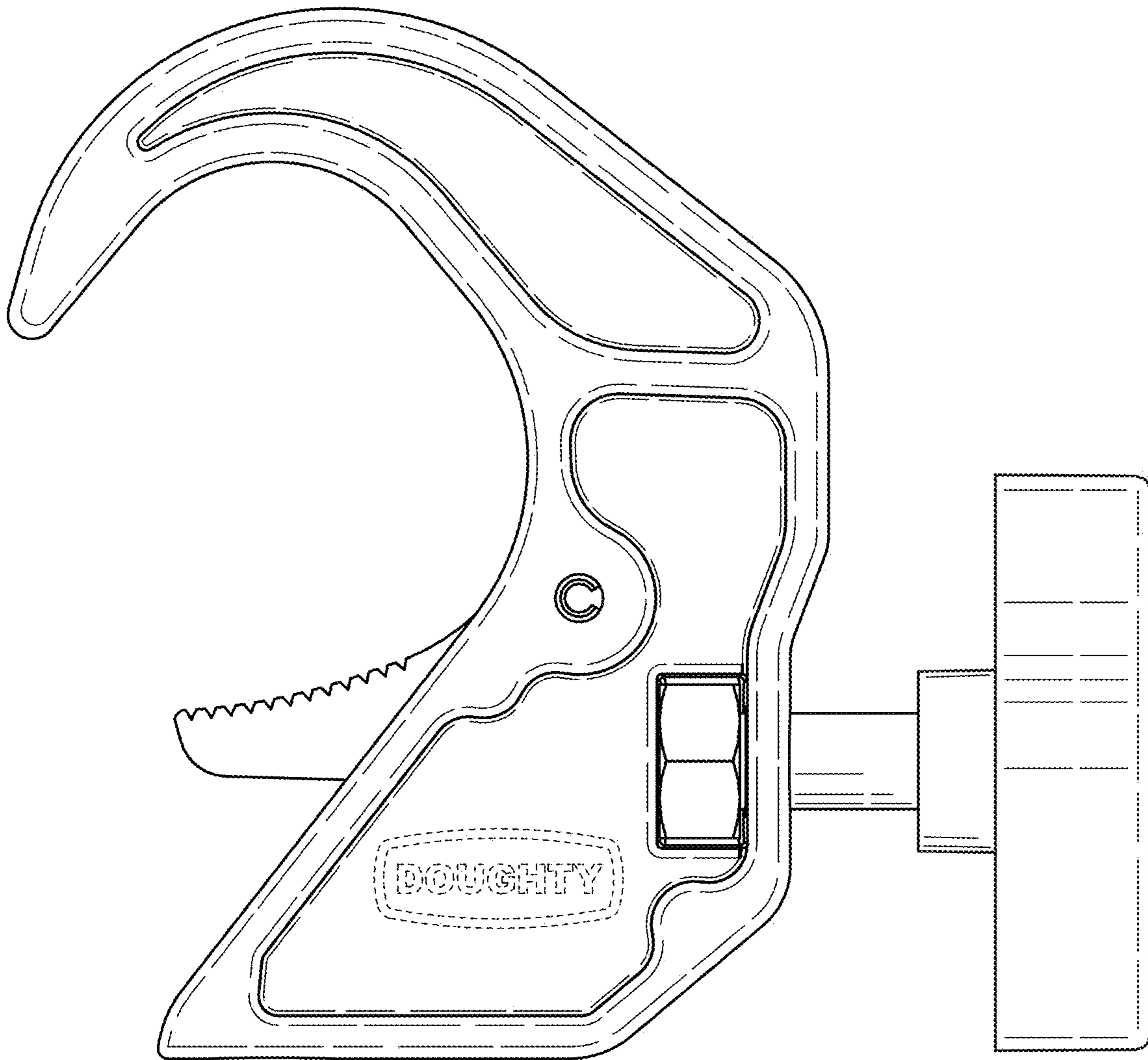


FIG. 2

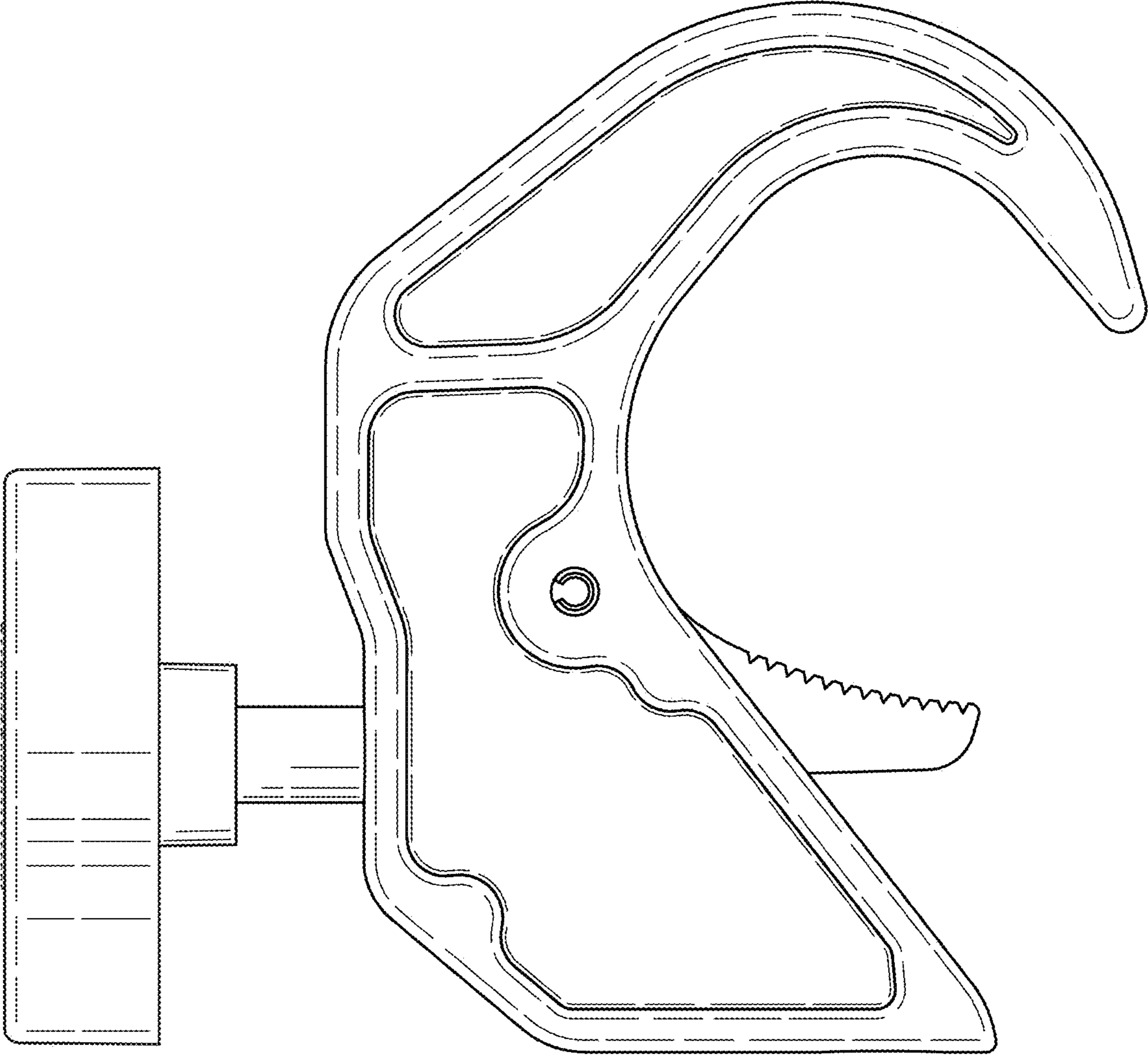


FIG. 3

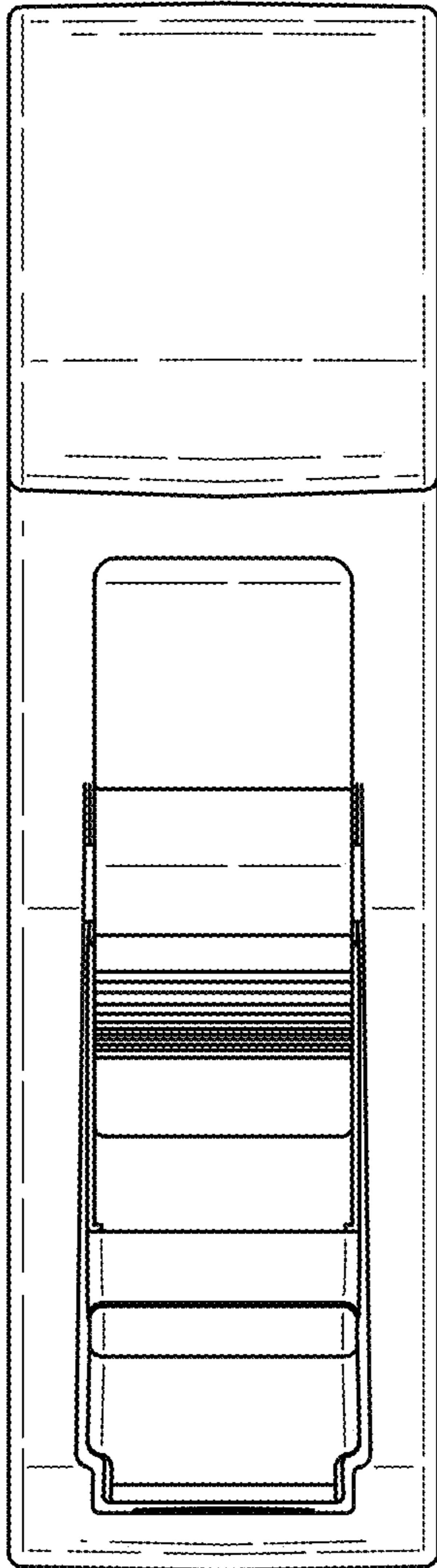


FIG. 4

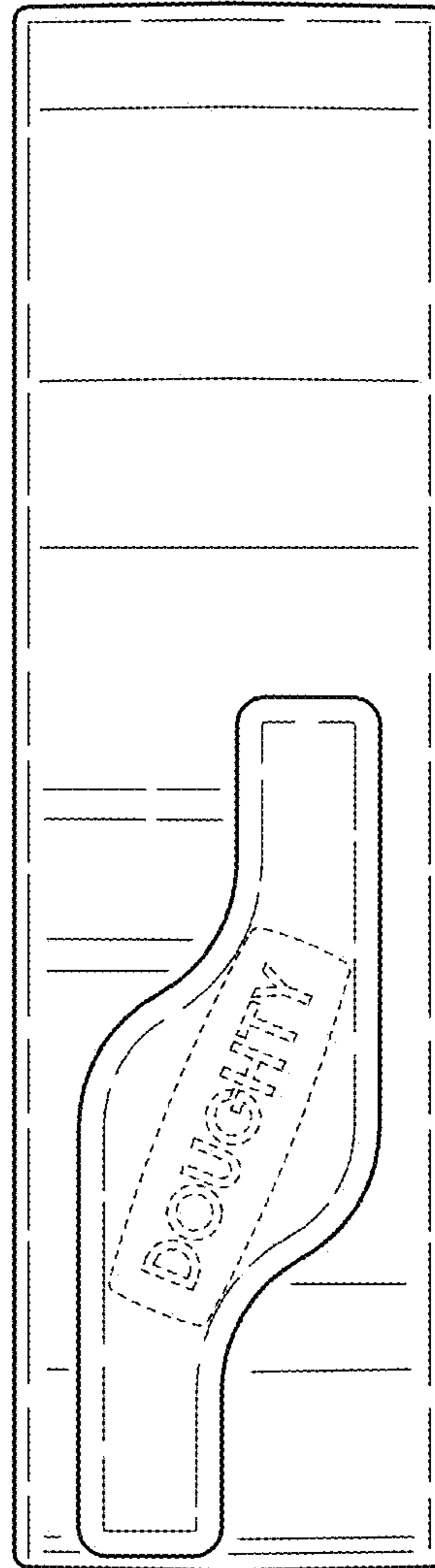
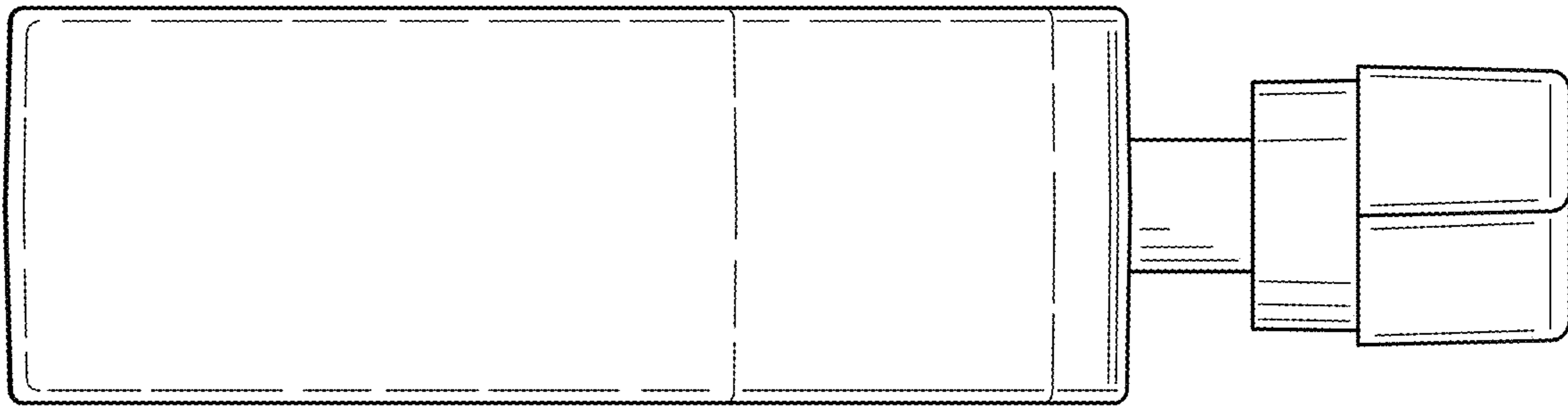
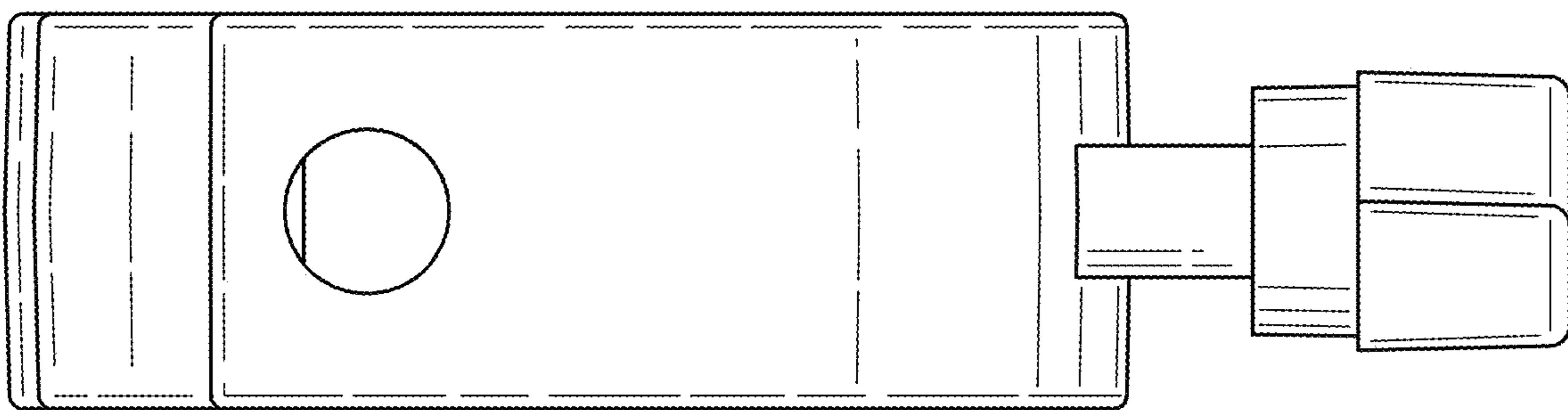


FIG. 5



**FIG. 6**



**FIG. 7**

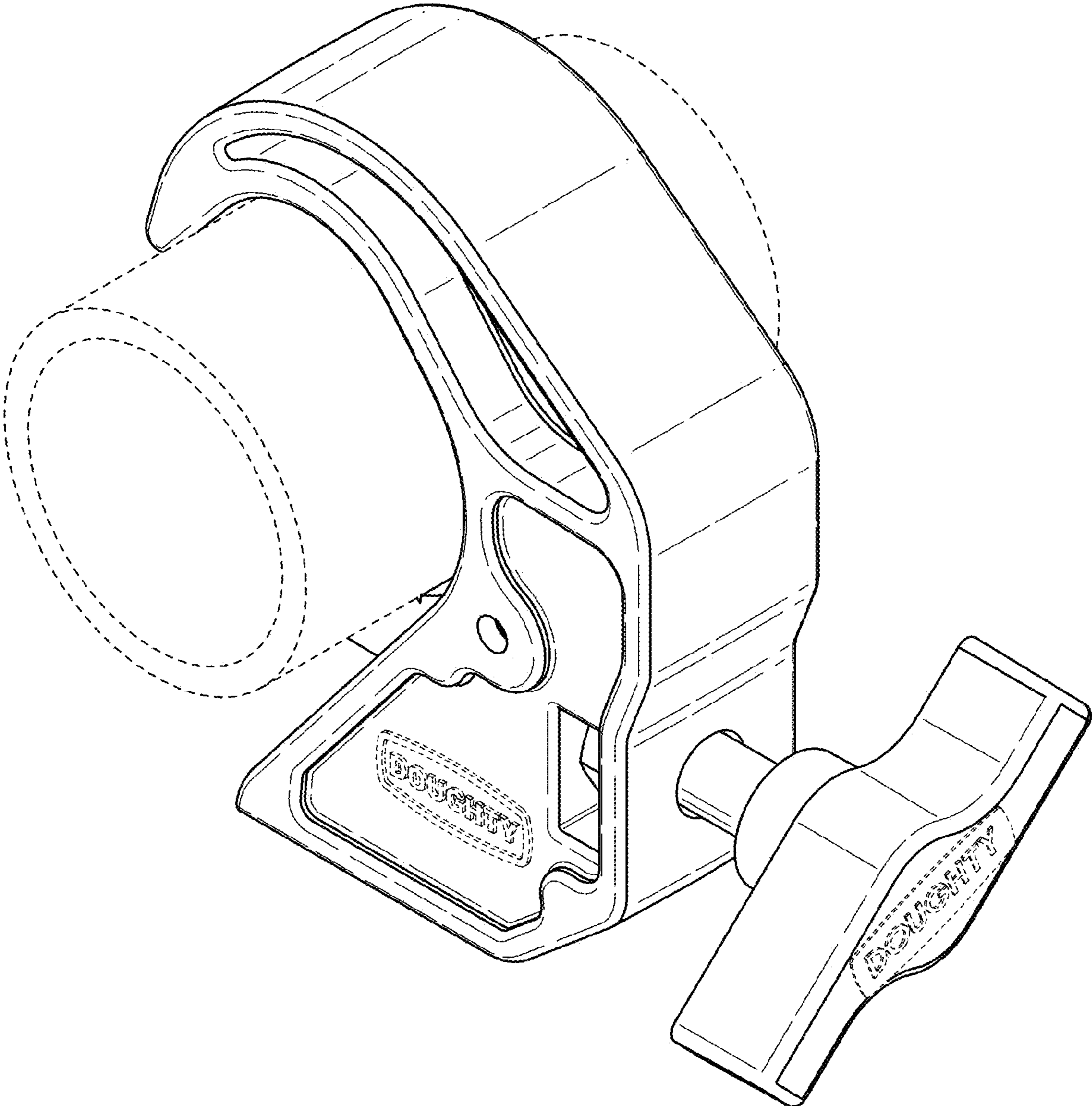


FIG. 8



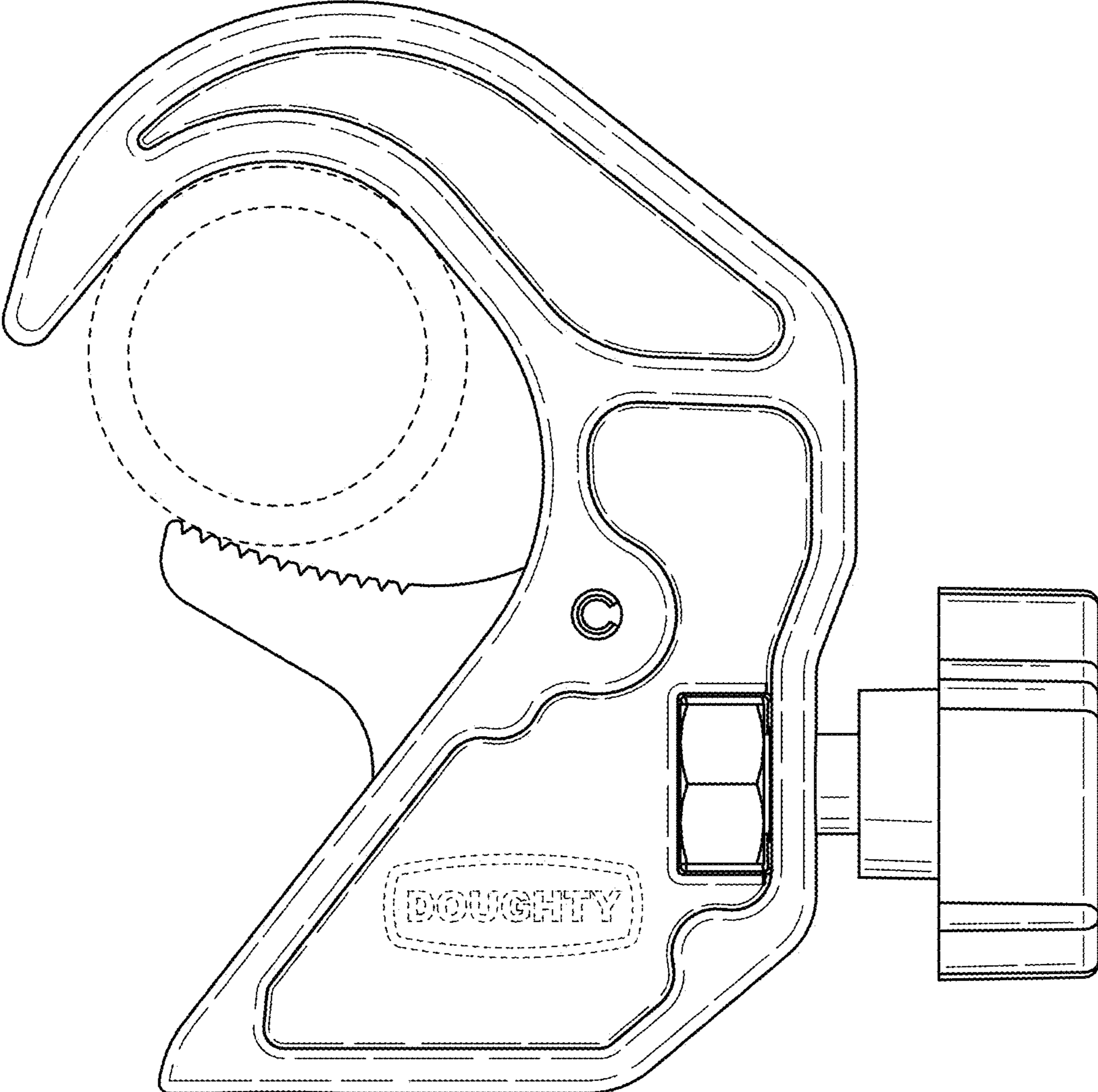


FIG. 9

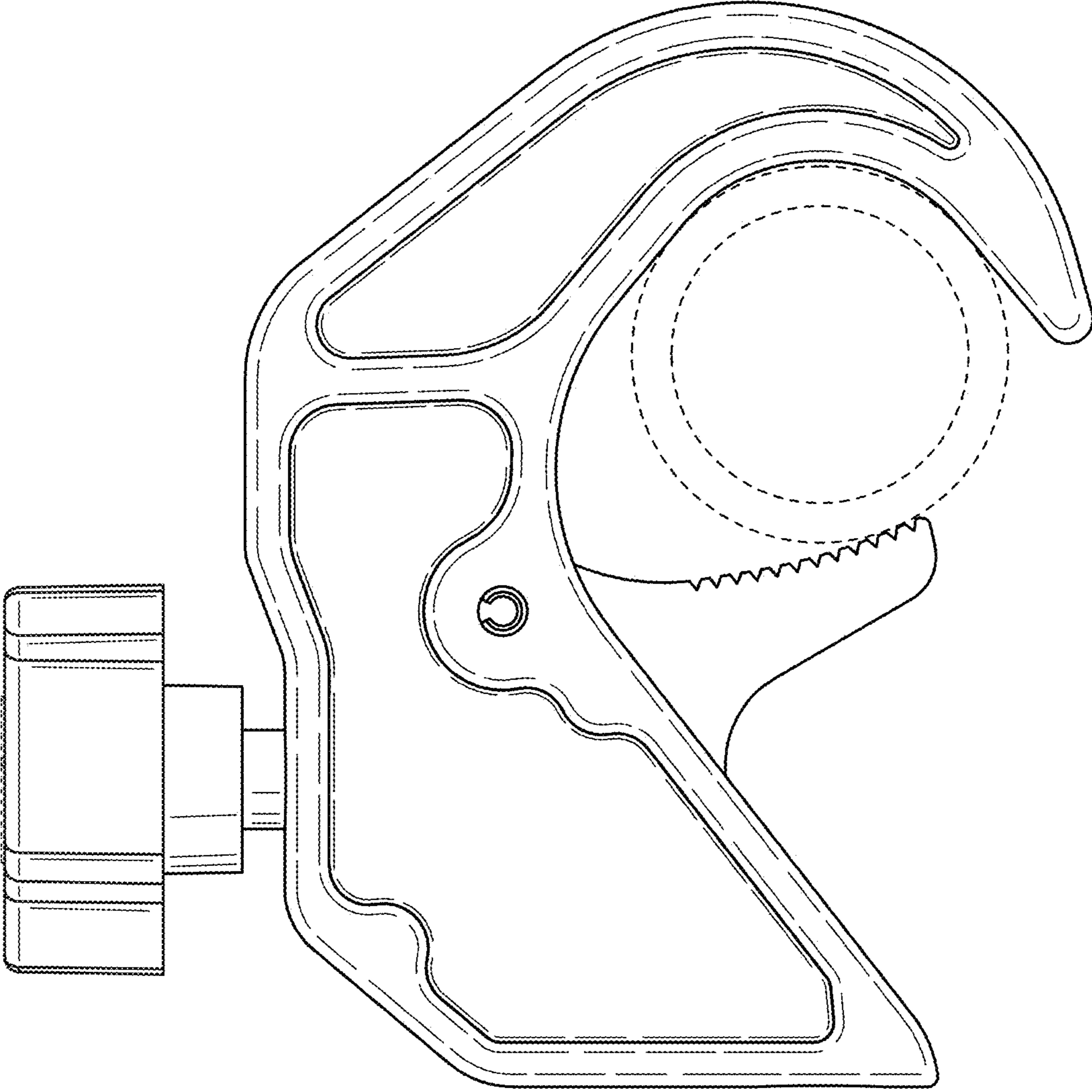


FIG. 10

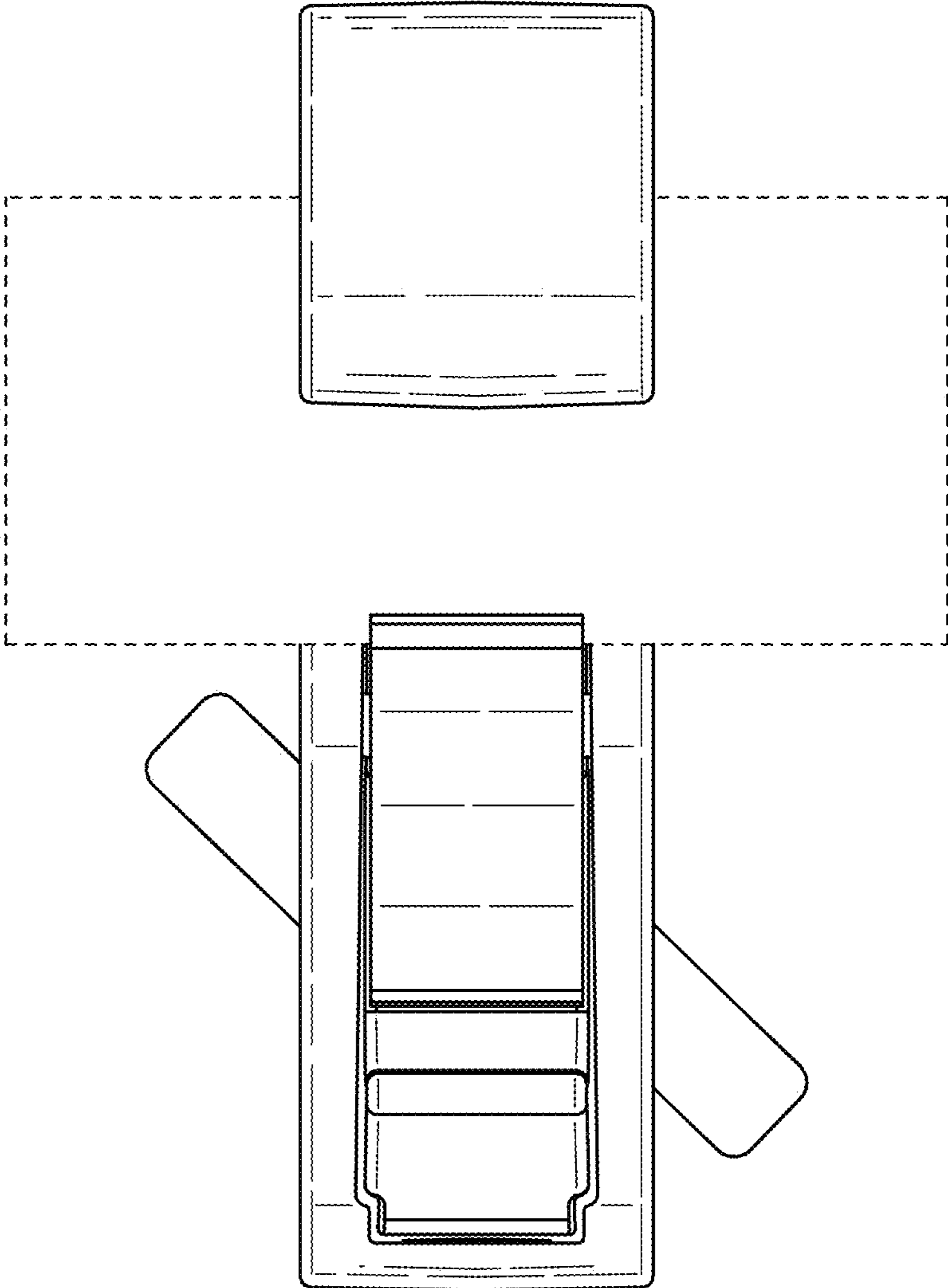


FIG. 11

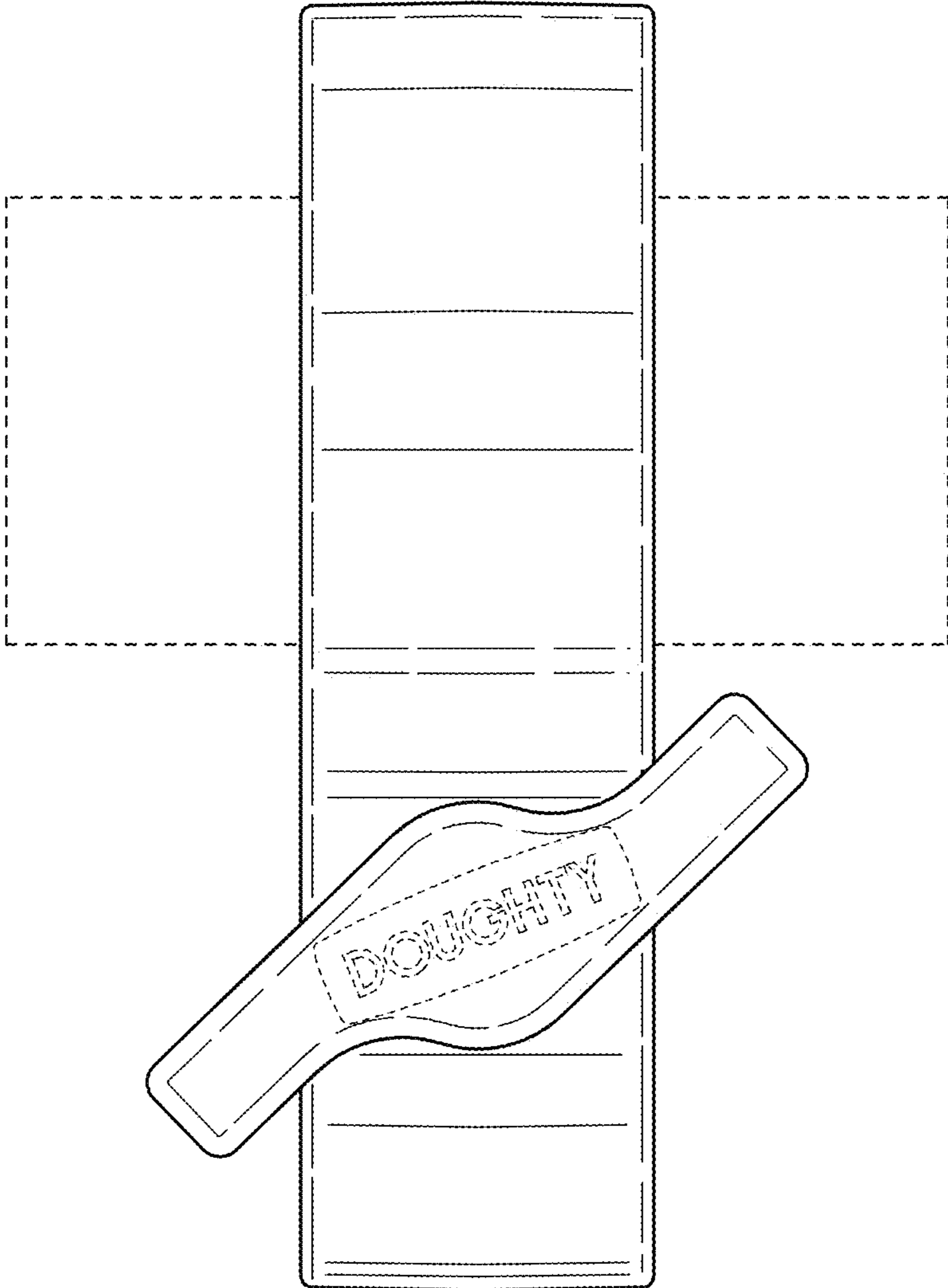


FIG. 12

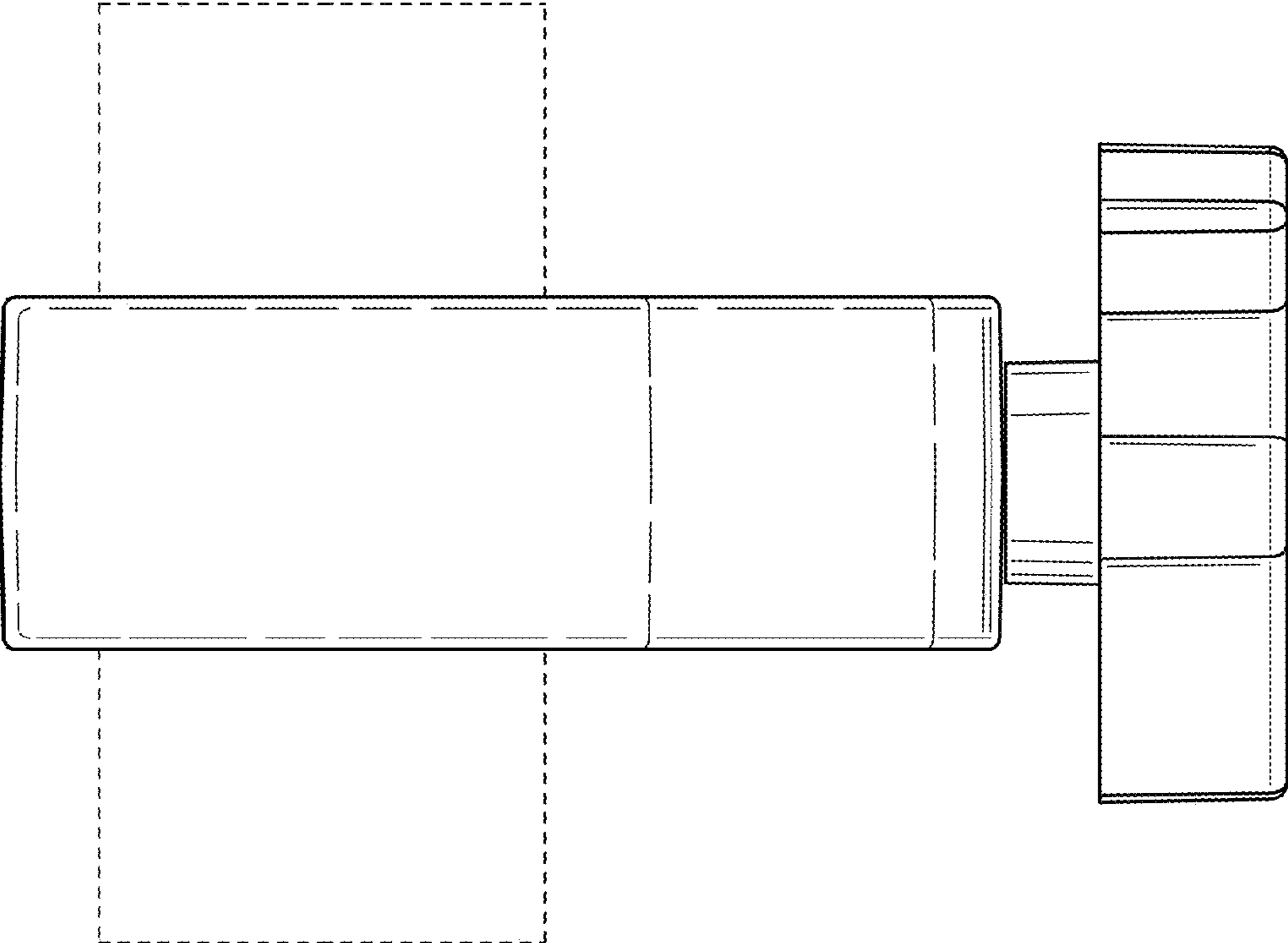


FIG. 13

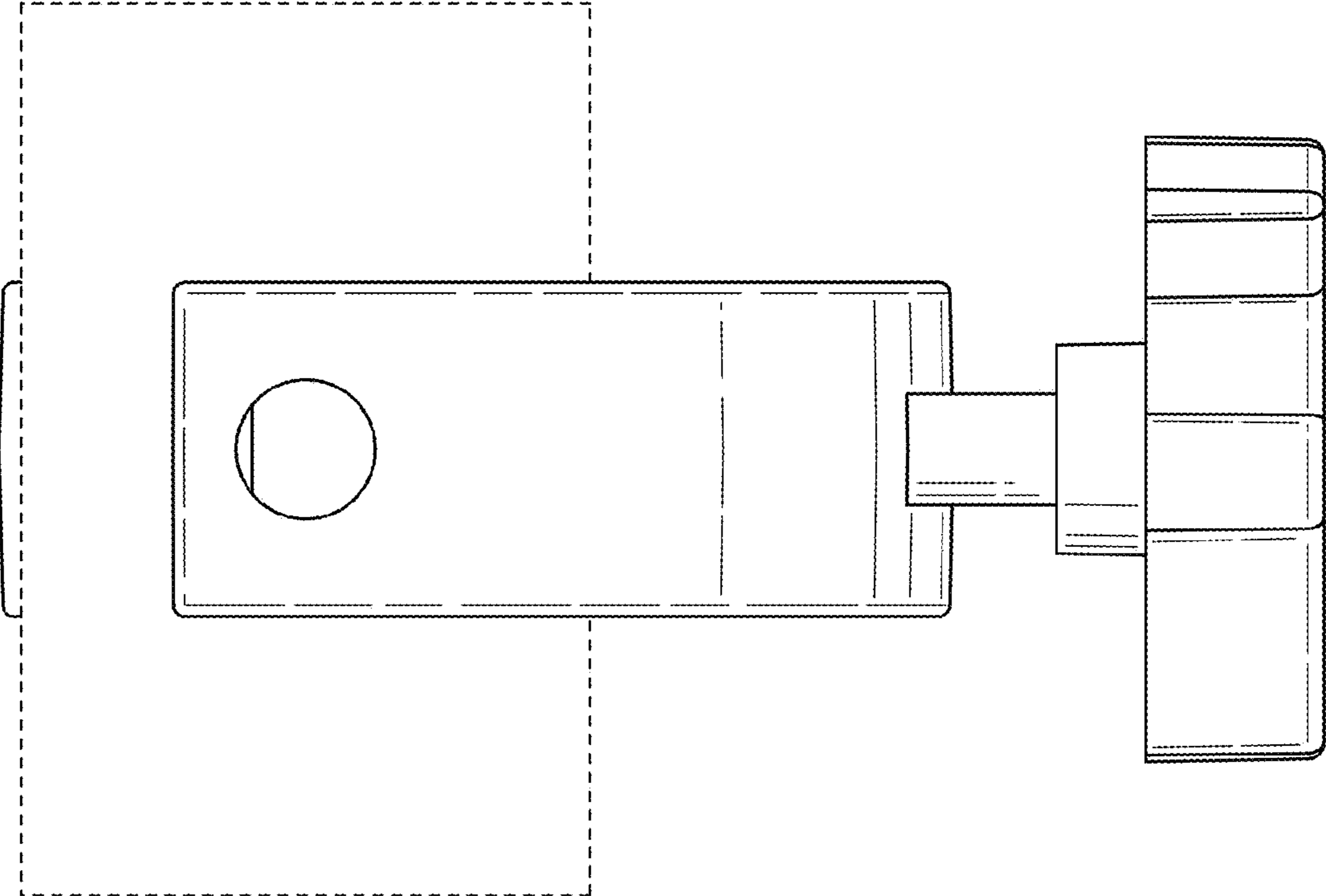


FIG. 14