



US00D911156S

(12) **United States Design Patent** (10) **Patent No.:** **US D911,156 S**  
**Wang** (45) **Date of Patent:** **\*\* Feb. 23, 2021**

(54) **CABLE TIE** 5,745,957 A \* 5/1998 Khokhar ..... B65D 63/1072  
24/16 PB  
(71) Applicant: **Hont Electrical Co., Ltd.**, Wenzhou D419,861 S \* 2/2000 Khokhar ..... D8/396  
(CN) D422,487 S \* 4/2000 Khokhar ..... D8/396  
D634,187 S \* 3/2011 Kozel ..... D8/396  
(72) Inventor: **Hongjie Wang**, Wenzhou (CN) D753,885 S \* 4/2016 Hill ..... D29/120.2  
9,643,764 B1 \* 5/2017 Huang ..... B65D 63/1072  
9,868,573 B1 \* 1/2018 Chen ..... H02G 3/32  
(73) Assignee: **Hont Electrical Co., Ltd.**, Wenzhou 10,053,268 B1 \* 8/2018 Sickenberger .... B65D 63/1063  
(CN) 2007/0194181 A1 \* 8/2007 Rosemann ..... F16L 3/2332  
248/74.3  
2007/0266531 A1 \* 11/2007 Krisel ..... B65D 63/1072  
24/16 PB

(\*\*) Term: **15 Years**

(21) Appl. No.: **29/680,912**

(22) Filed: **Feb. 21, 2019**

(51) **LOC (13) Cl.** ..... **08-08**

(52) **U.S. Cl.**  
USPC ..... **D8/383**

(58) **Field of Classification Search**  
USPC ..... D8/383, 382, 394, 396  
CPC ..... B65D 63/00; B65D 63/1072;  
B65D 63/1063; B65D 63/1081; B65D  
63/1045; B65D 2563/103; F16L 3/2332;  
F16L 3/2334; F16L 3/2338; F16B 2/26;  
Y10T 24/1498; Y10T 24/14; Y10T  
24/141; Y10T 24/15; Y10T 24/153  
See application file for complete search history.

(56) **References Cited**

**U.S. PATENT DOCUMENTS**

3,224,056 A \* 12/1965 Joffe ..... B65D 63/1072  
24/16 R  
D256,438 S \* 8/1980 Woods ..... D8/394  
4,854,138 A \* 8/1989 Charland ..... E05B 75/00  
70/16  
D323,102 S \* 1/1992 Kipling ..... D8/331  
D347,156 S \* 5/1994 Starrett ..... D29/120.2  
5,395,343 A \* 3/1995 Iscovich ..... A61M 25/02  
128/DIG. 26

\* cited by examiner

*Primary Examiner* — Sandra Snapp  
*Assistant Examiner* — Ieisha N Price  
(74) *Attorney, Agent, or Firm* — Hogan Lovells US LLP

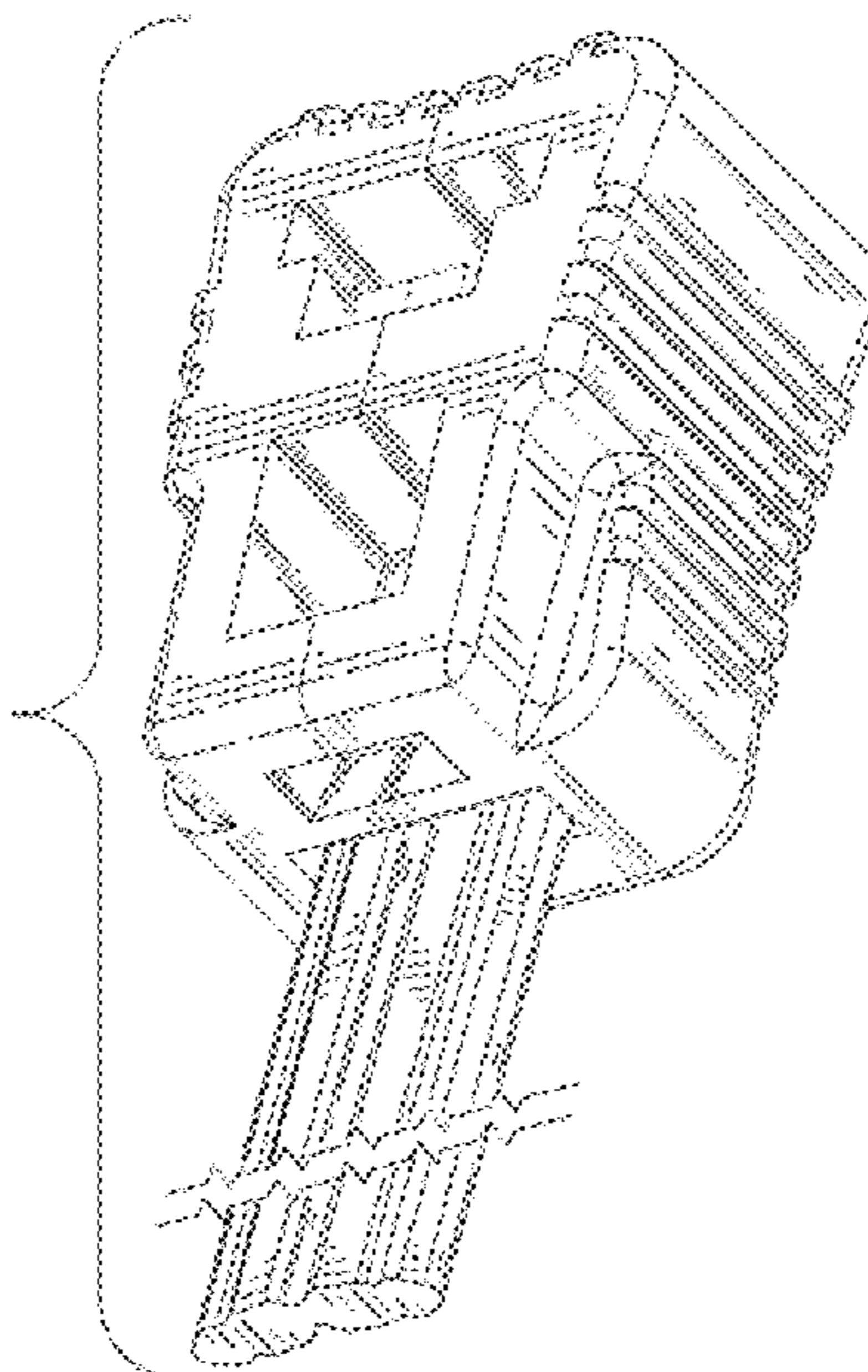
(57) **CLAIM**

The ornamental design for a cable tie, as shown and described.

**DESCRIPTION**

FIG. 1 is a front perspective view of the cable tie showing our new design.  
FIG. 2 is a rear perspective view thereof.  
FIG. 3 is a front view thereof.  
FIG. 4 is a rear view thereof.  
FIG. 5 is a left side view thereof.  
FIG. 6 is a right side view thereof.  
FIG. 7 is a top view thereof.  
FIG. 8 is a bottom view thereof; and,  
FIG. 9 is a side view of the cable tie in use.  
The cable tie is shown with a symbolic break in FIGS. 1 through 6 and FIG. 9. Any portion between the break lines forms no part of the claimed design.  
The broken lines in the drawings illustrate portions of the cable tie and form no part of the claimed design.

**1 Claim, 9 Drawing Sheets**



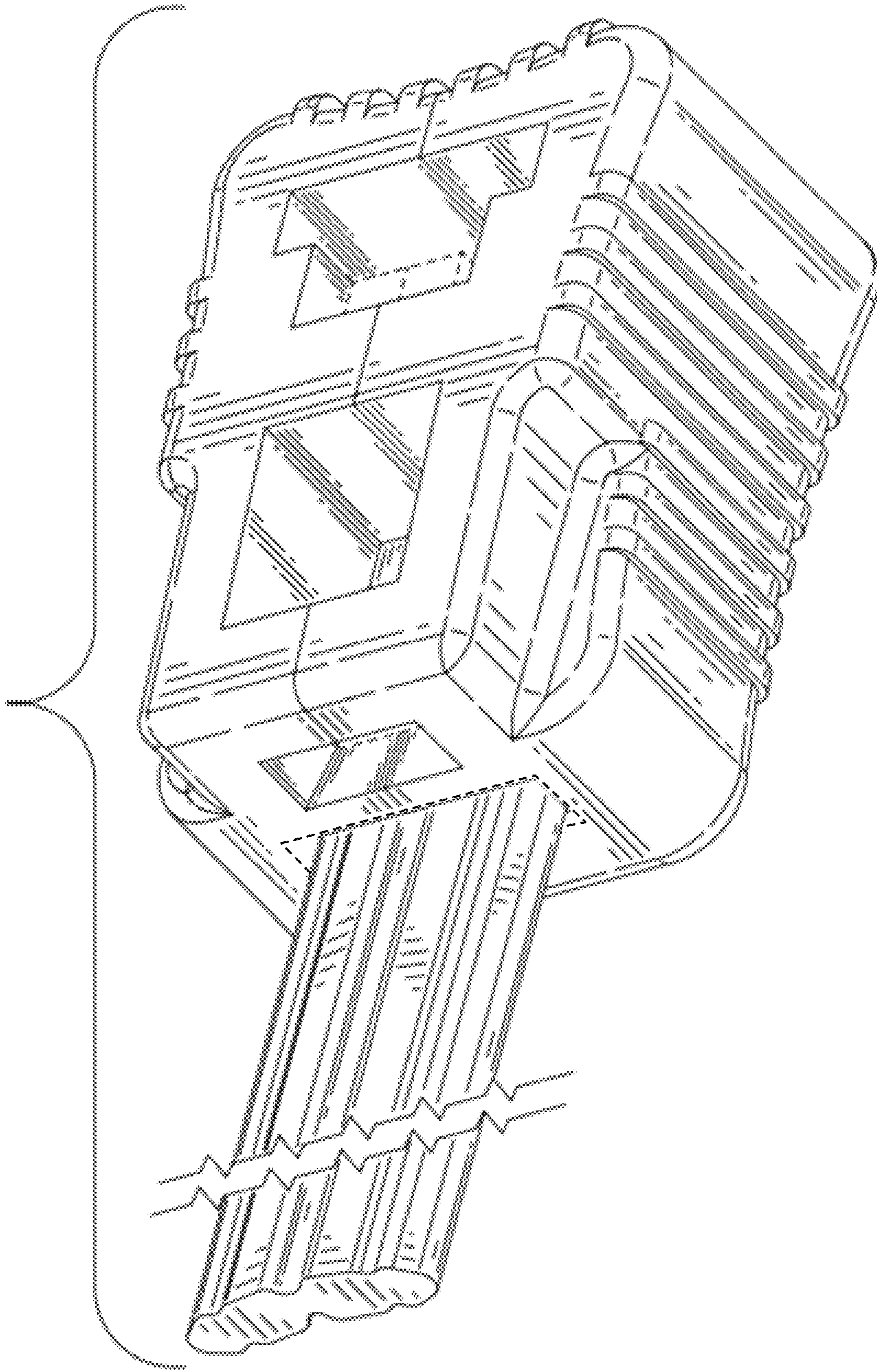


FIG. 1

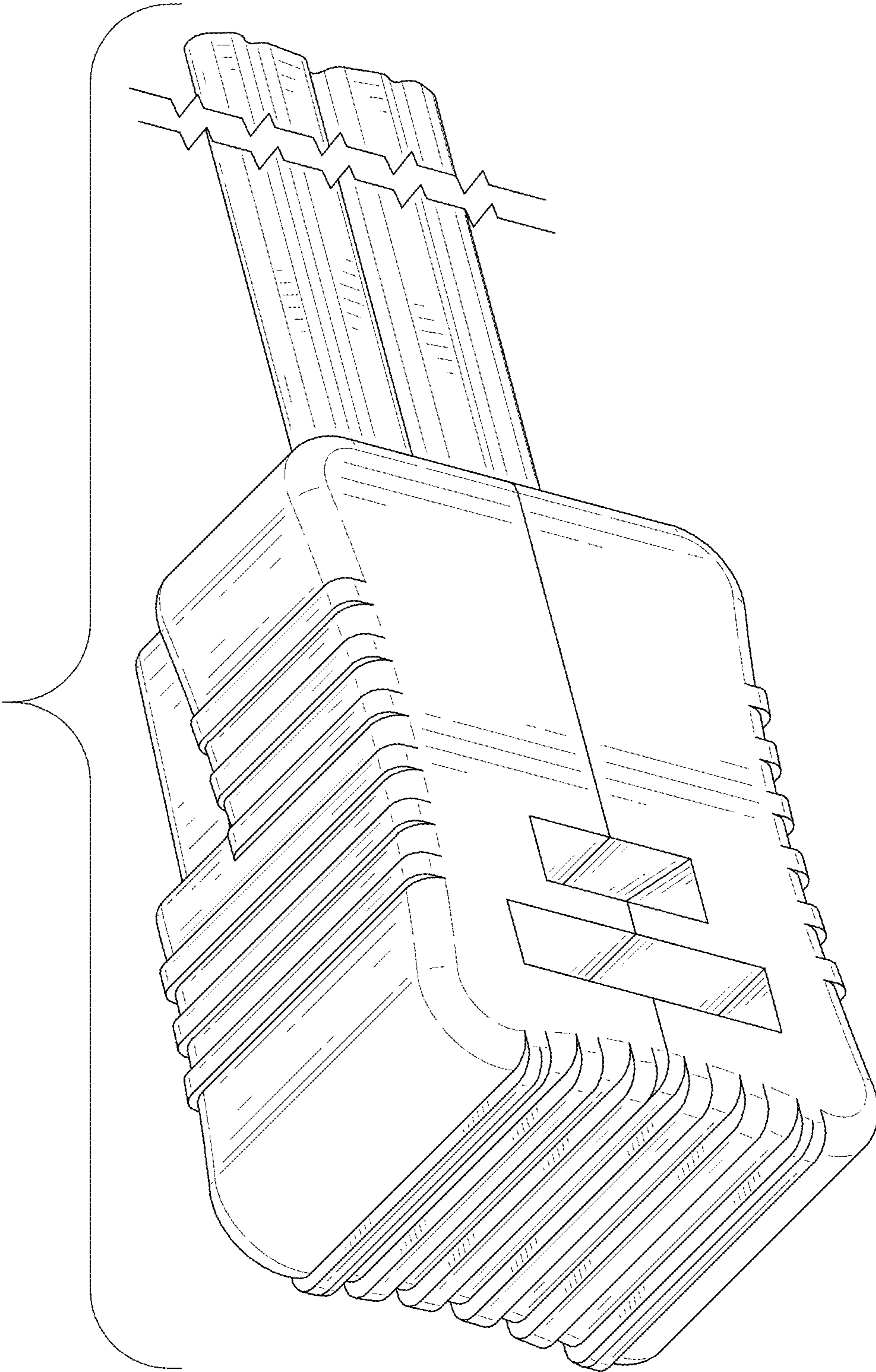


FIG. 2

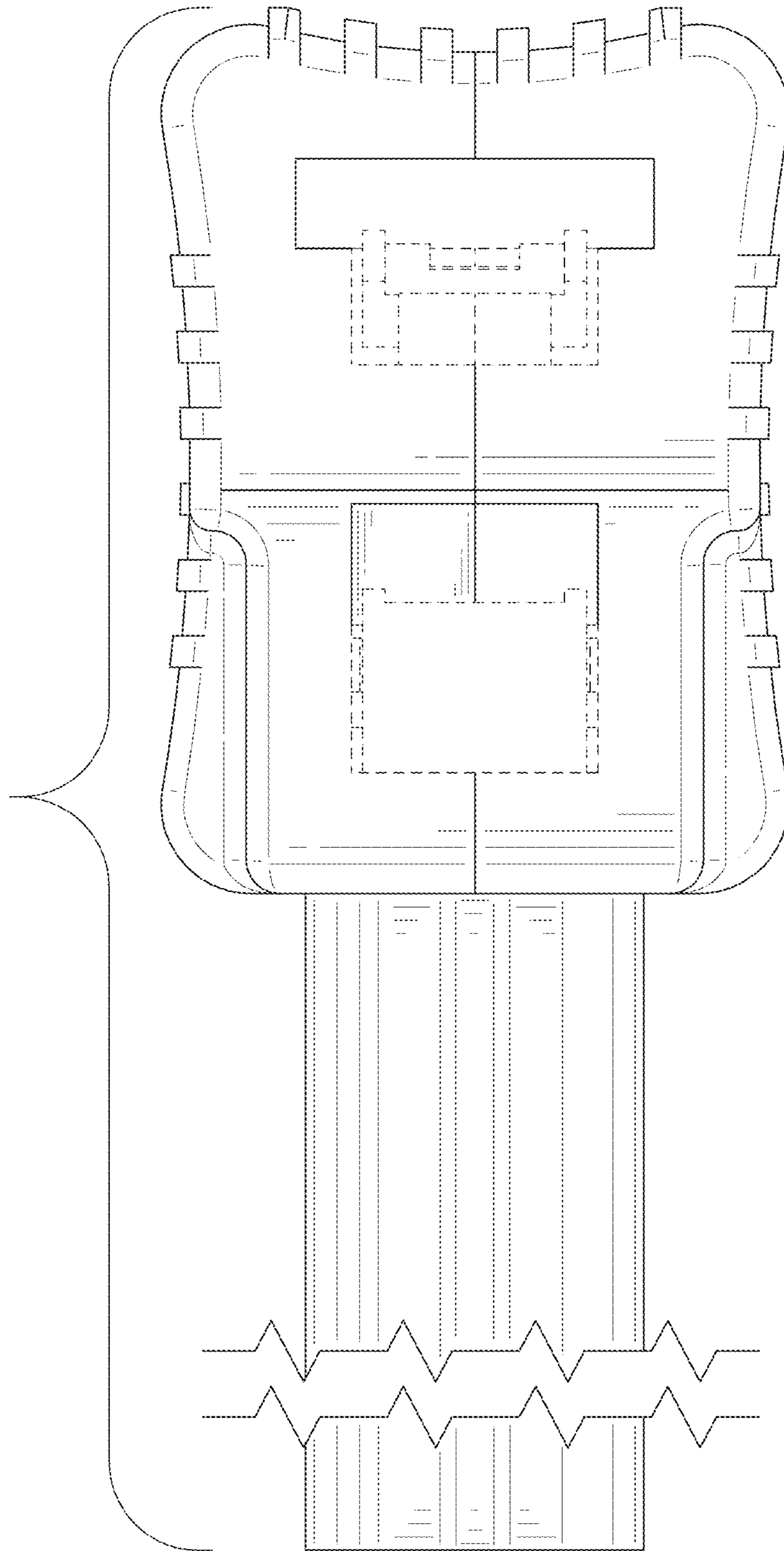


FIG. 3

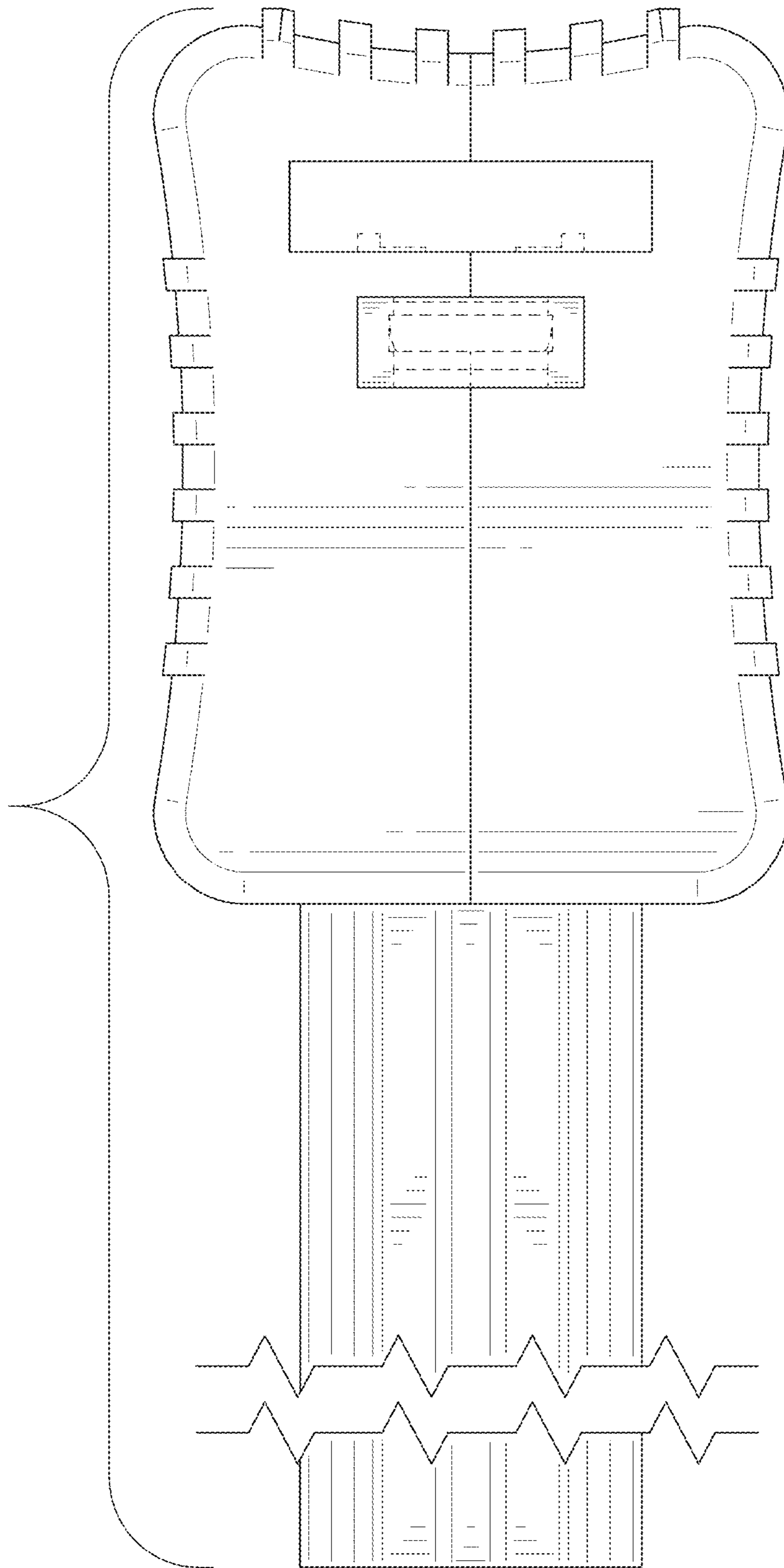


FIG. 4

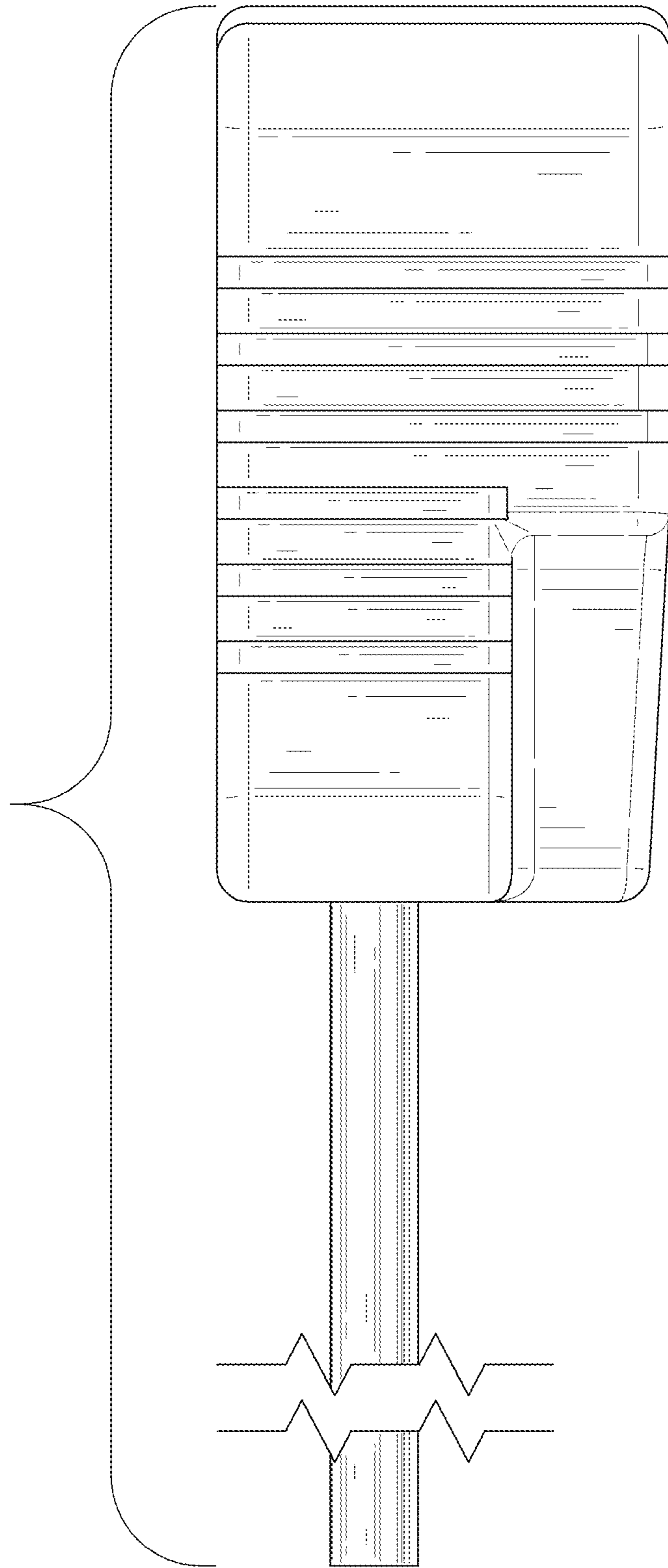


FIG. 5

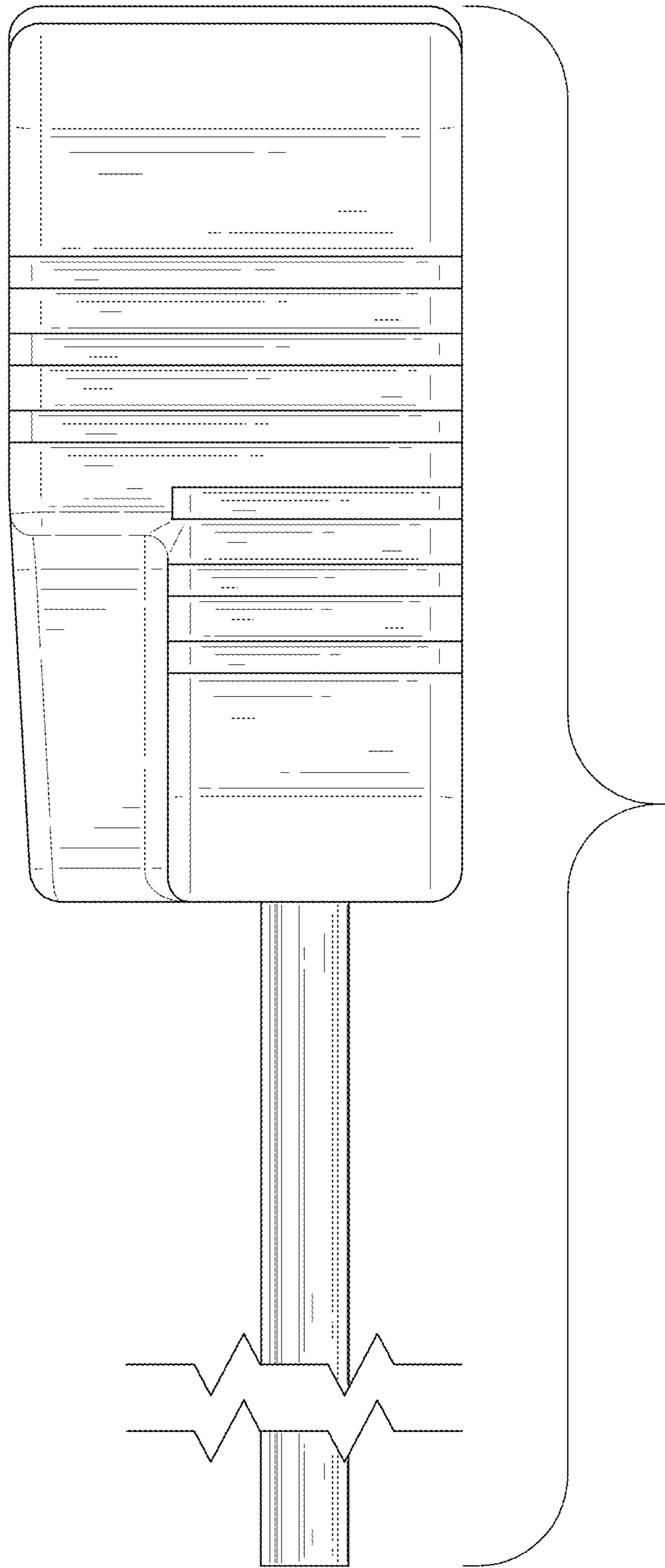


FIG. 6

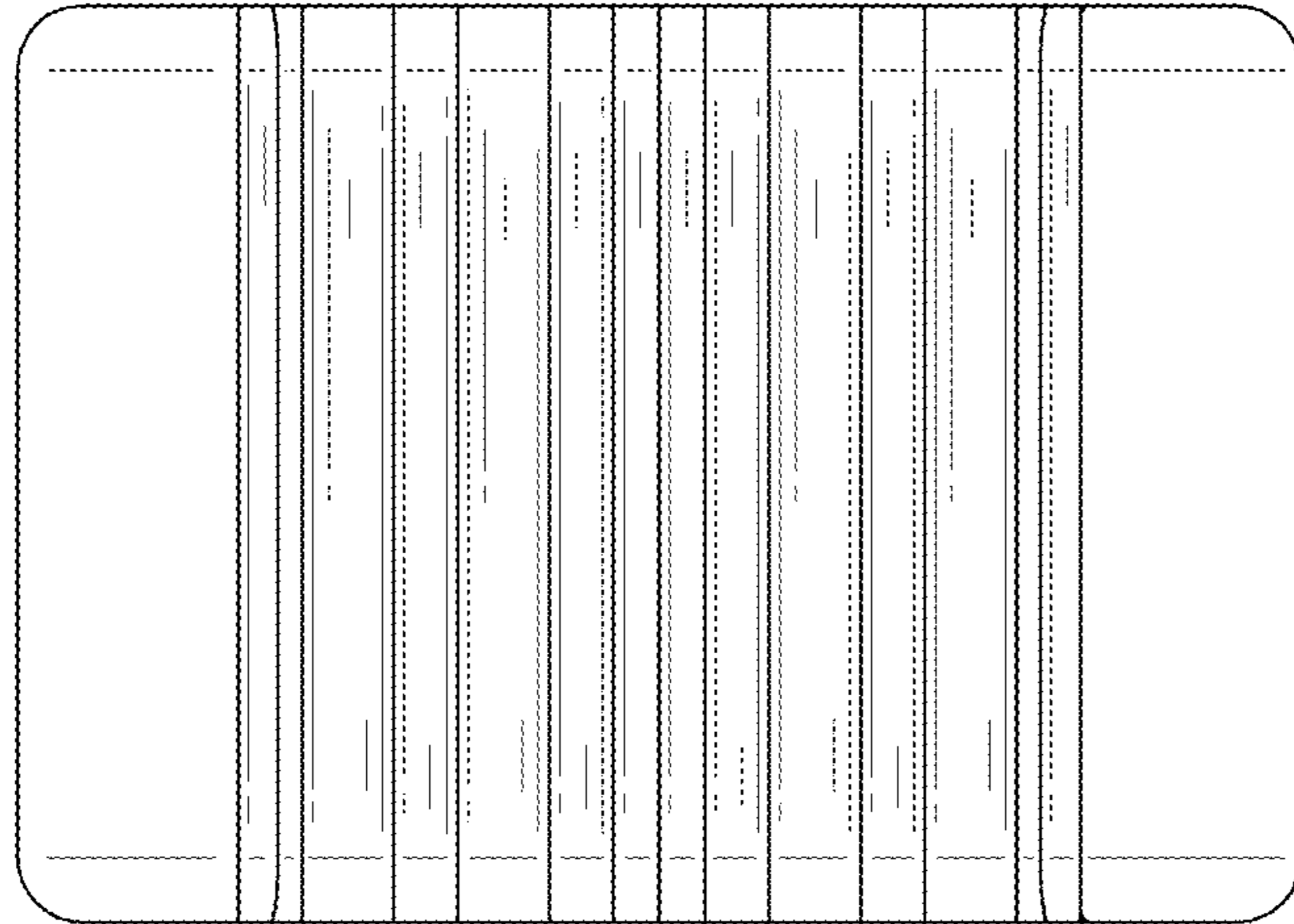


FIG. 7



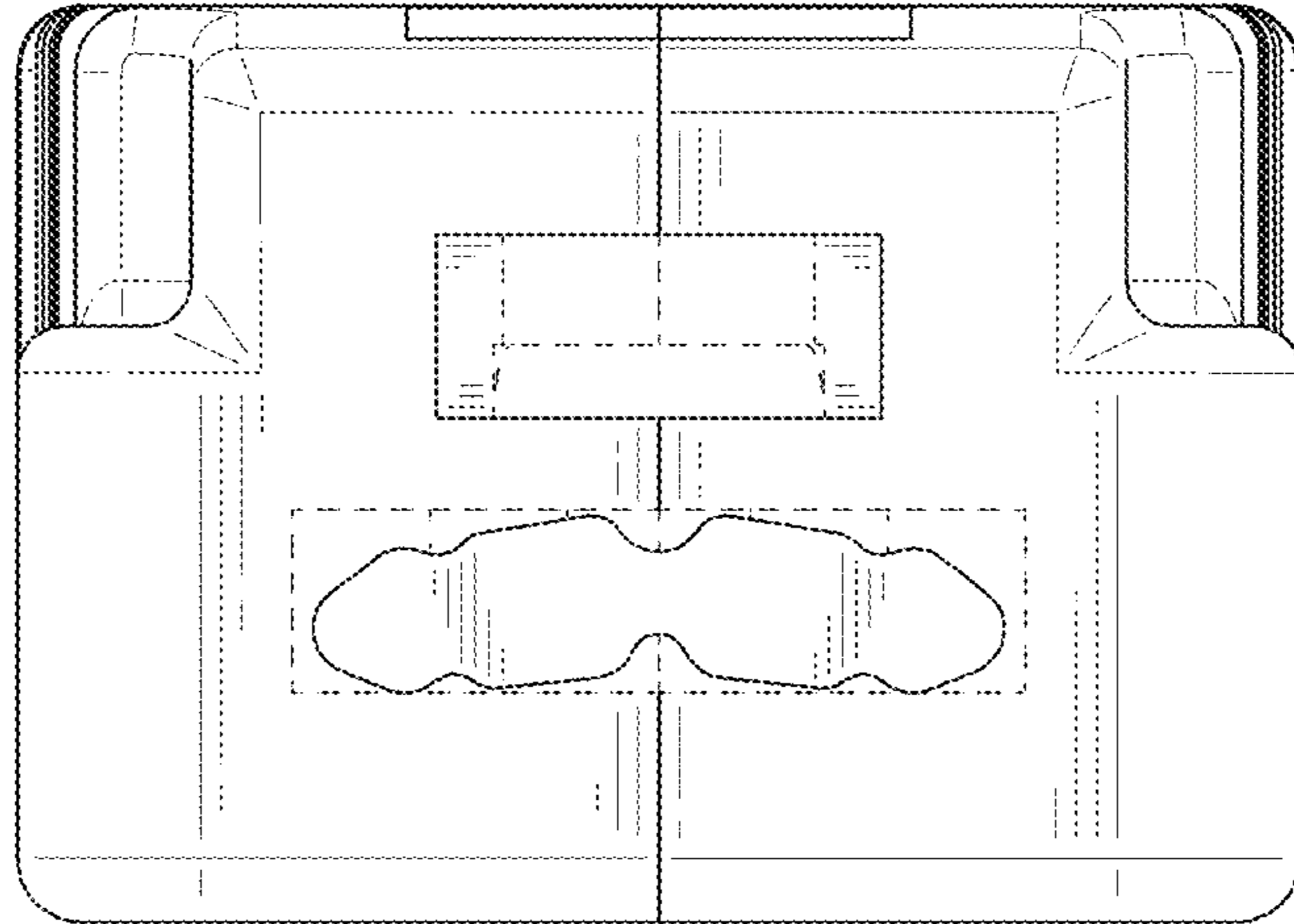


FIG. 8

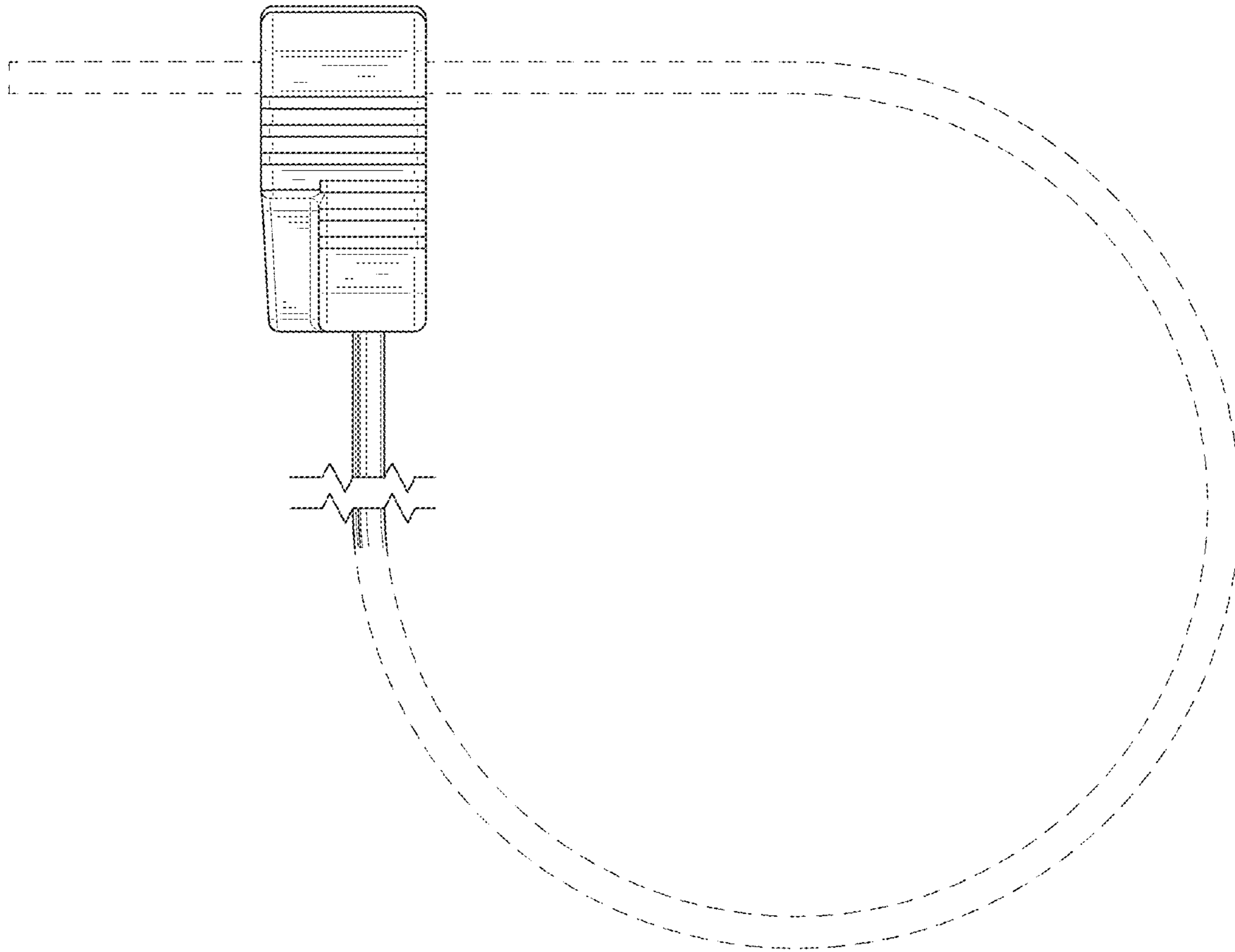


FIG. 9