



US00D911155S

(12) **United States Design Patent** (10) **Patent No.:** **US D911,155 S**
Kondo et al. (45) **Date of Patent:** **** Feb. 23, 2021**

(54) **BRACKET FOR AUTOMOBILE SPEAKER**

D391,628 S * 3/1998 Carwile D23/269
 5,734,732 A * 3/1998 Lemmon H04R 1/025
 181/153
 5,867,583 A * 2/1999 Hazelwood H04R 1/025
 181/199

(71) Applicant: **PIONEER CORPORATION**, Tokyo (JP)

(72) Inventors: **Hayami Kondo**, Tendo (JP); **Ryu Ito**, Tendo (JP); **Shun Shirahata**, Tendo (JP); **Hiroyuki Dohi**, Tendo (JP); **Masato Tsuruya**, Tendo (JP)

(Continued)

FOREIGN PATENT DOCUMENTS

JP 1392848 7/2010
 JP 1434906 5/2012

(73) Assignee: **PIONEER CORPORATION**, Tokyo (JP)

OTHER PUBLICATIONS

(**) Term: **15 Years**

Kenwood Corporation, "Kenwood Speaker Bracket," (Product Name: SK-300S), available at https://www.kenwood.com/jp/products/car_audio/speaker_amp/bracket/skx_300s/, published at least on Mar. 1, 2016, 3 pages.

(21) Appl. No.: **29/671,527**

(22) Filed: **Nov. 28, 2018**

Primary Examiner — Sandra Snapp

Assistant Examiner — Ieisha N Price

(30) **Foreign Application Priority Data**

May 30, 2018 (JP) 2018-011803

(74) *Attorney, Agent, or Firm* — Faegre Drinker Biddle & Reath LLP

(51) **LOC (13) Cl.** **08-08**

(52) **U.S. Cl.**
USPC **D8/382**

(57) **CLAIM**

(58) **Field of Classification Search**
 USPC D8/71, 73, 349, 354, 382, 394, 395, 396,
 D8/397, 399; D12/223, 400; D14/204,
 D14/215, 216, 217, 221, 224, 260.1
 CPC B60R 2011/0066; B60R 11/0223; B60R
 11/0217; B60R 2011/0024; B60R
 2011/0043; B60R 2011/0021; H04R
 2499/13; H04R 1/025
 See application file for complete search history.

The ornamental design for the bracket for automobile speaker, as shown and described.

DESCRIPTION

(56) **References Cited**

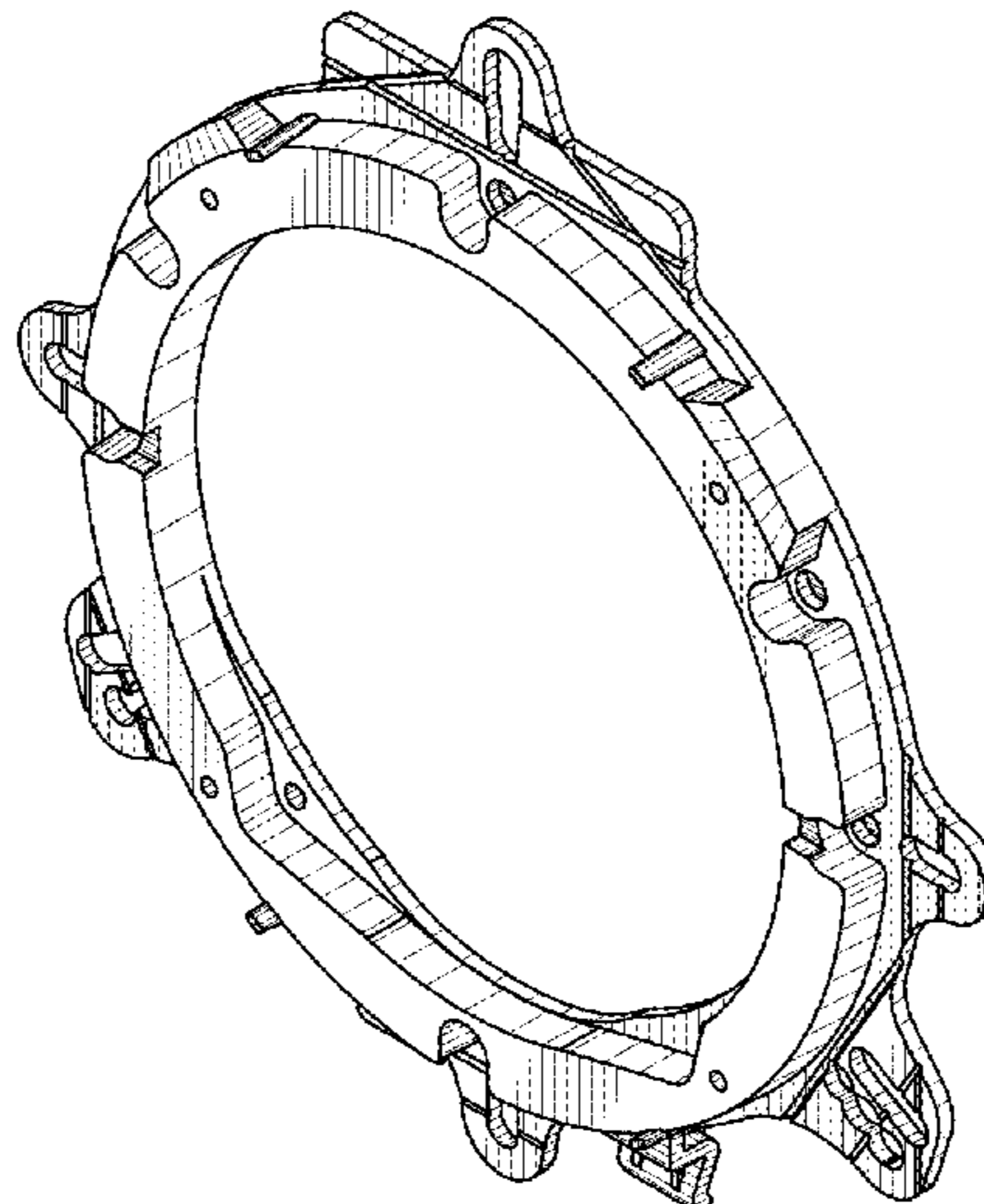
U.S. PATENT DOCUMENTS

D198,713 S * 7/1964 Curtiss D8/397
 D208,388 S * 8/1967 Graham D23/265
 4,550,796 A * 11/1985 Tomita B60R 11/0217
 181/141
 4,993,511 A * 2/1991 Hiraki H04R 1/025
 181/150

FIG. 1 is a perspective view of a bracket for automobile speaker showing our new design;
 FIG. 2 is a front view thereof;
 FIG. 3 is a rear view thereof;
 FIG. 4 is a left side view thereof;
 FIG. 5 is a right side view thereof;
 FIG. 6 is a top view thereof; and,
 FIG. 7 is a bottom view thereof.

The broken line showing of the bracket for automobile speaker is included for the purpose of illustrating portions of the bracket for automobile speaker and forms no part of the claimed design.

1 Claim, 7 Drawing Sheets



(56)

References Cited

U.S. PATENT DOCUMENTS

D443,262 S * 6/2001 Caren D14/224
D468,729 S * 1/2003 Takayama D14/224
D505,671 S * 5/2005 Dayan D14/216
D560,660 S * 1/2008 Brassard D14/253
D624,054 S * 9/2010 Lazzeroni D14/221
D624,055 S * 9/2010 Lazzeroni D14/221
8,165,335 B2 * 4/2012 Hayasaka H04R 1/2842
381/396
D714,629 S * 10/2014 Irgens D8/394
D714,630 S * 10/2014 Irgens D8/394
9,479,852 B2 * 10/2016 Yang H04R 1/026
9,843,849 B1 * 12/2017 Lasnier de Lavalette
H04R 1/025
D810,050 S * 2/2018 Uemoto D14/216
D826,906 S * 8/2018 Lasnier de Lavalette ... D14/224
D833,266 S * 11/2018 Barbara D8/396
2003/0019983 A1 * 1/2003 Iinuma B60R 11/0217
248/200
2003/0019990 A1 * 1/2003 Iinuma B60R 11/0223
248/309.1
2004/0247150 A1 * 12/2004 Iwaya B60R 11/0217
381/389
2008/0137899 A1 * 6/2008 Campbell, Jr. H04R 1/025
381/386
2013/0161452 A1 * 6/2013 Park B60R 11/0217
248/27.1
2016/0245443 A1 * 8/2016 Zonneveld F16L 37/18
2020/0162809 A1 * 5/2020 Honji B60J 5/0463

* cited by examiner

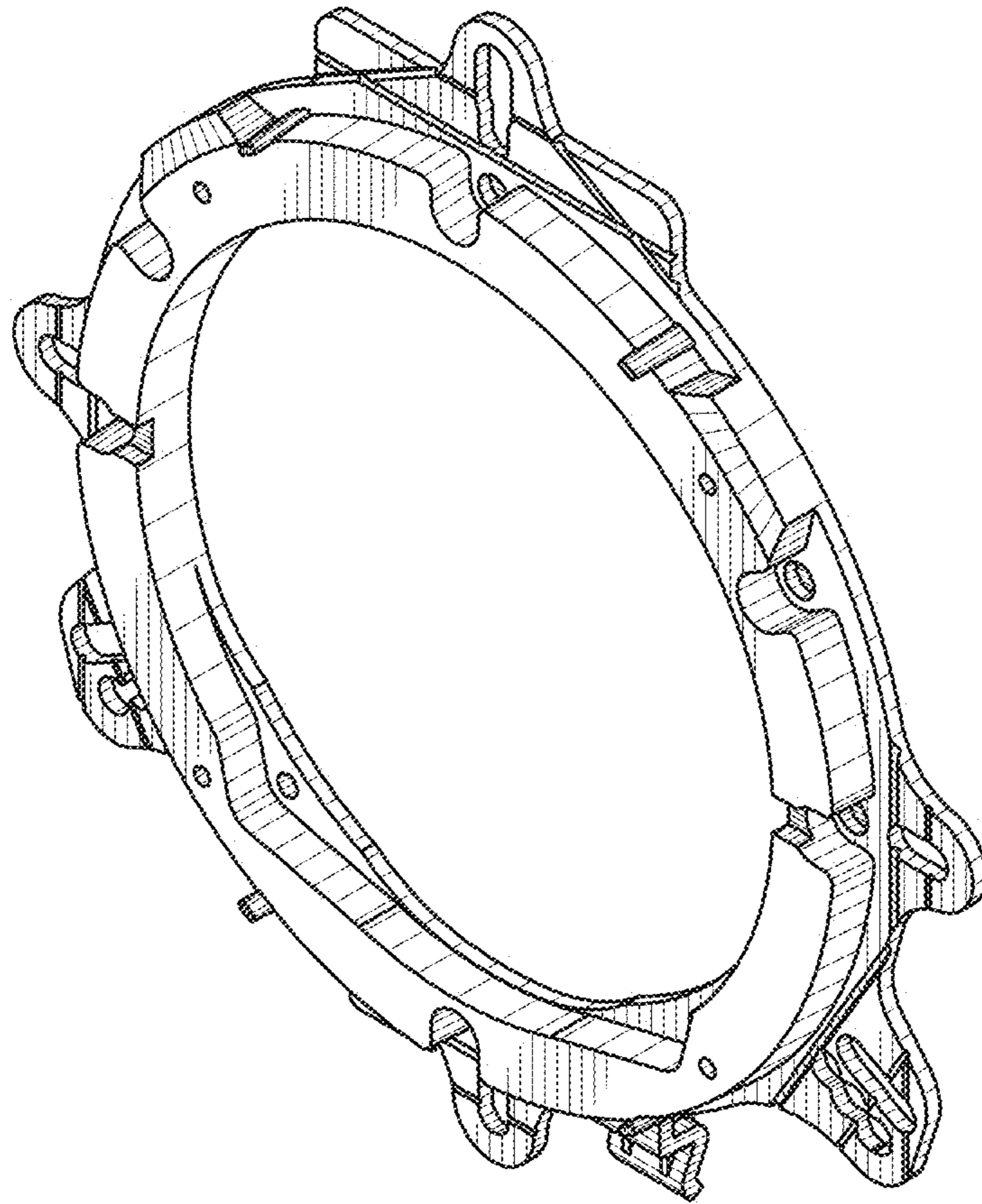


FIG. 1

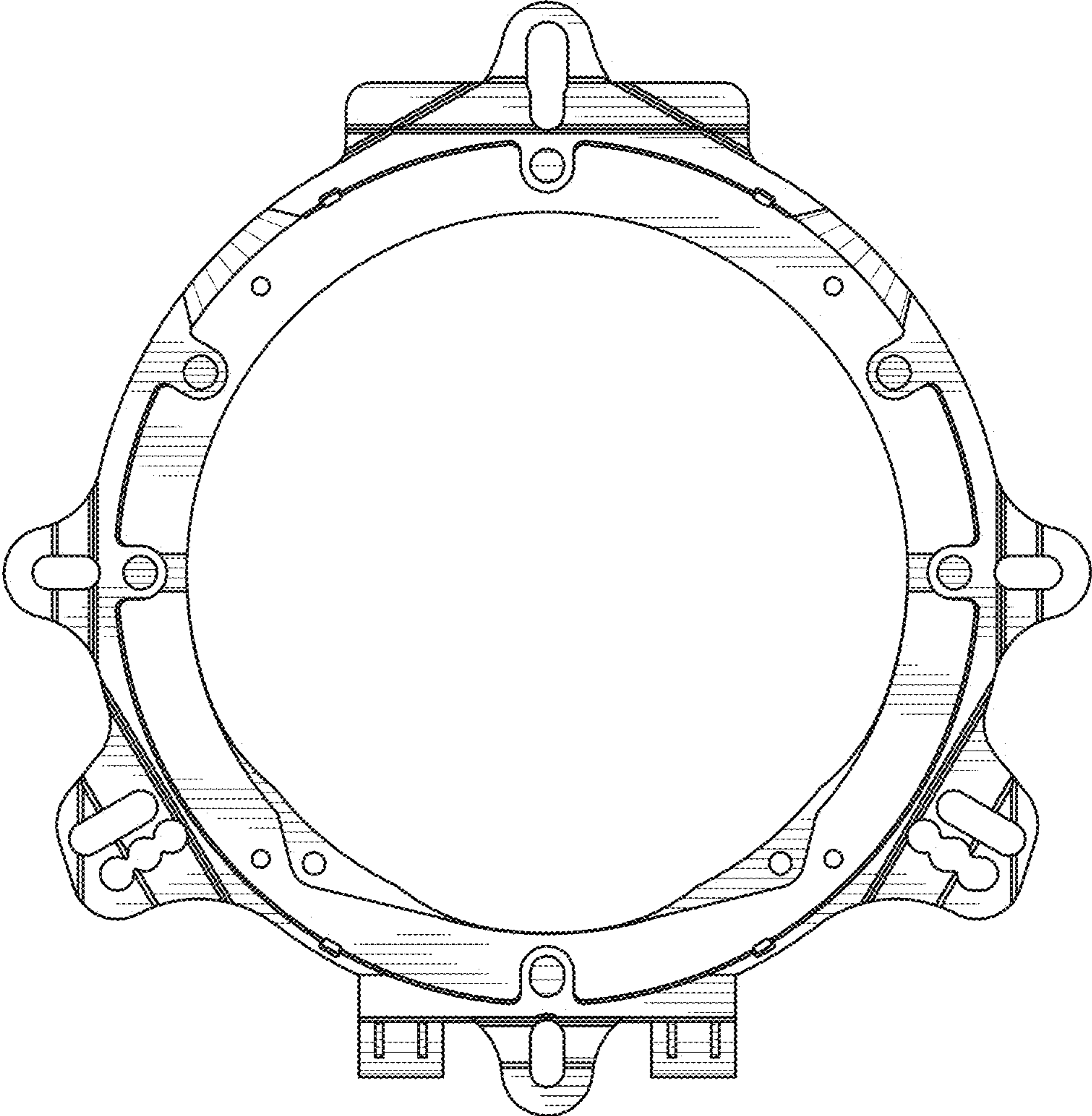


FIG. 2

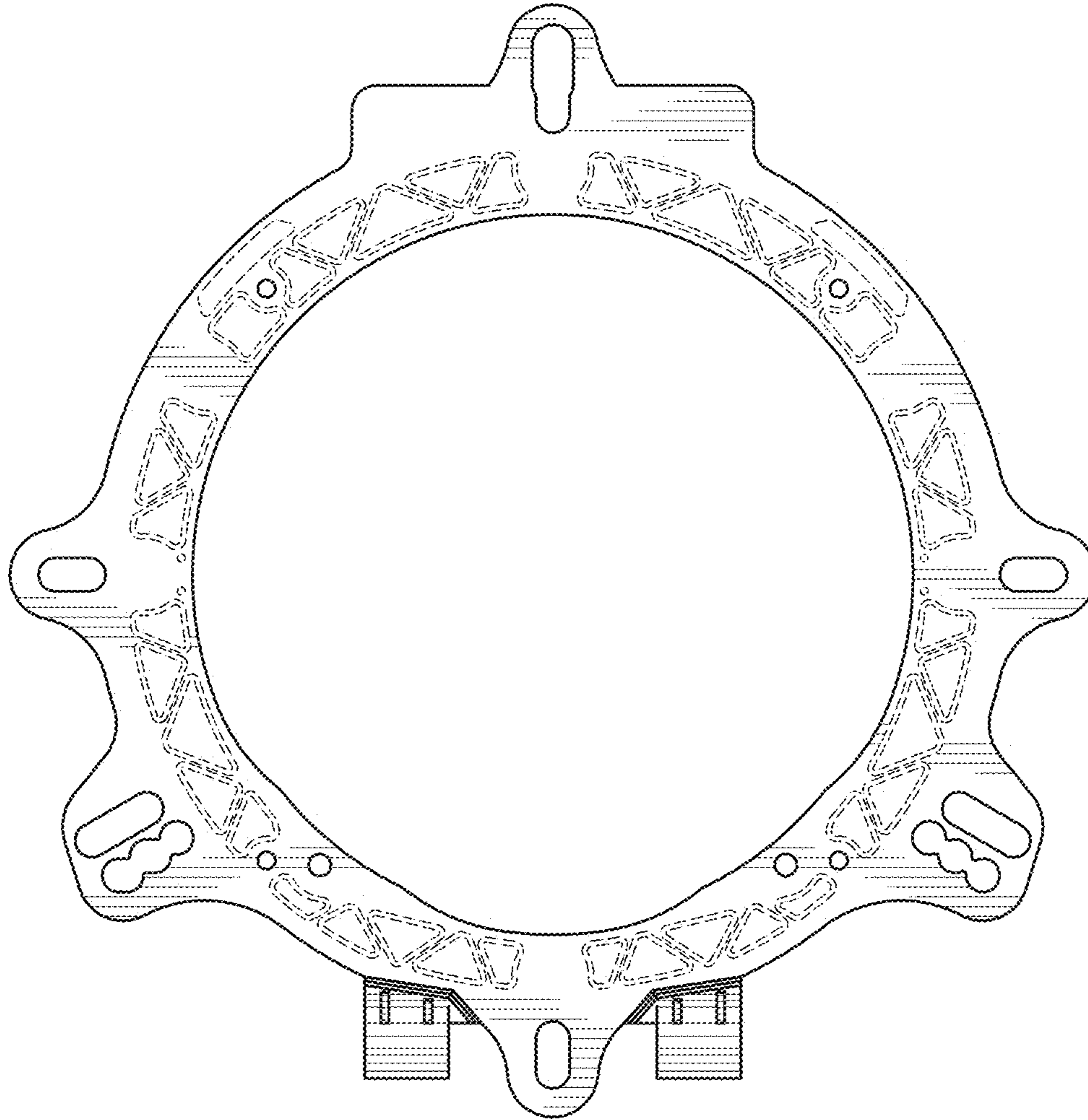


FIG. 3

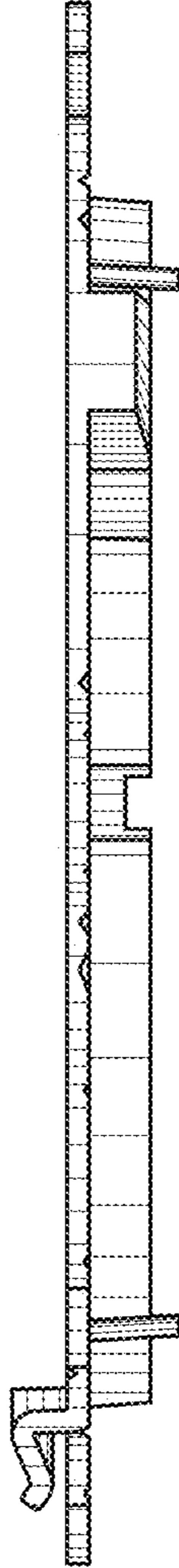


FIG. 4

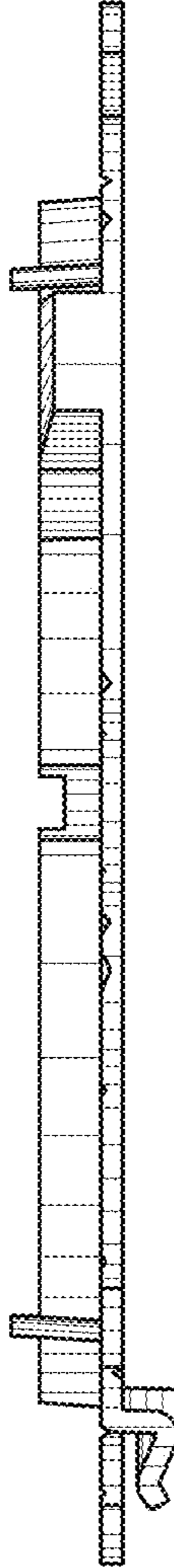


FIG. 5

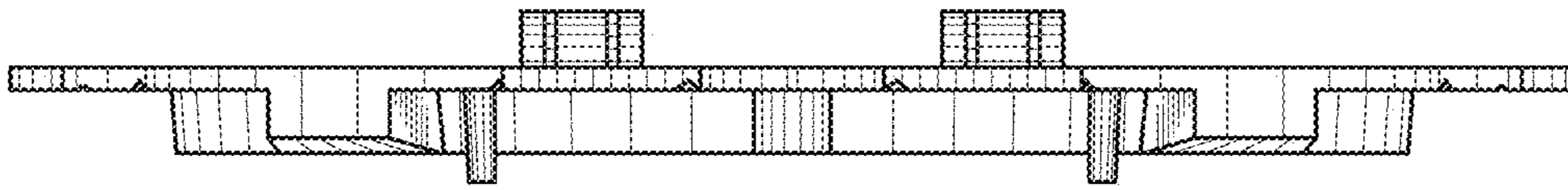


FIG. 6

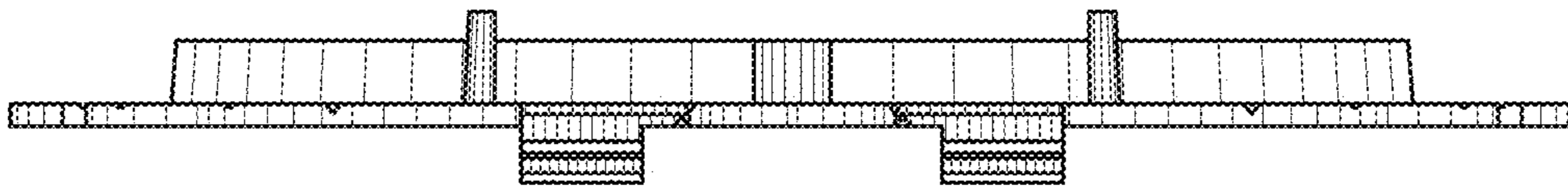


FIG. 7