



US00D911154S

(12) **United States Design Patent** (10) **Patent No.:** **US D911,154 S**
Jiao (45) **Date of Patent:** **** Feb. 23, 2021**

- (54) **CURTAIN HOLDBACK TIE**
- (71) Applicant: **Yang Jiao**, Hangzhou (CN)
- (72) Inventor: **Yang Jiao**, Hangzhou (CN)
- (**) Term: **15 Years**
- (21) Appl. No.: **29/728,837**
- (22) Filed: **Mar. 21, 2020**
- (51) **LOC (13) Cl.** **08-05**
- (52) **U.S. Cl.**
USPC **D8/368**
- (58) **Field of Classification Search**
USPC D8/367, 356, 354, 349, 18, 105, 368;
248/341; 224/217; 24/1, 702
CPC A45F 5/021; A44B 13/0029; F16B 45/00;
F16M 13/02
See application file for complete search history.

- D519,310 S * 4/2006 Schorling D6/580
- D573,875 S * 7/2008 Anderson D8/367
- D583,664 S * 12/2008 Franzone, Jr. D9/434
- D597,825 S * 8/2009 Ho D8/367
- D618,536 S * 6/2010 Eason D8/349
- 7,771,221 B1 * 8/2010 Blackwell H01R 13/52
439/282
- D630,498 S 1/2011 Kim
- 7,954,515 B2 * 6/2011 Gerst F16L 55/1141
138/89
- D642,450 S * 8/2011 Freese D8/367
(Continued)

Primary Examiner — Cynthia R Underwood
(74) *Attorney, Agent, or Firm* — Law Offices of Steven W. Weinrieb

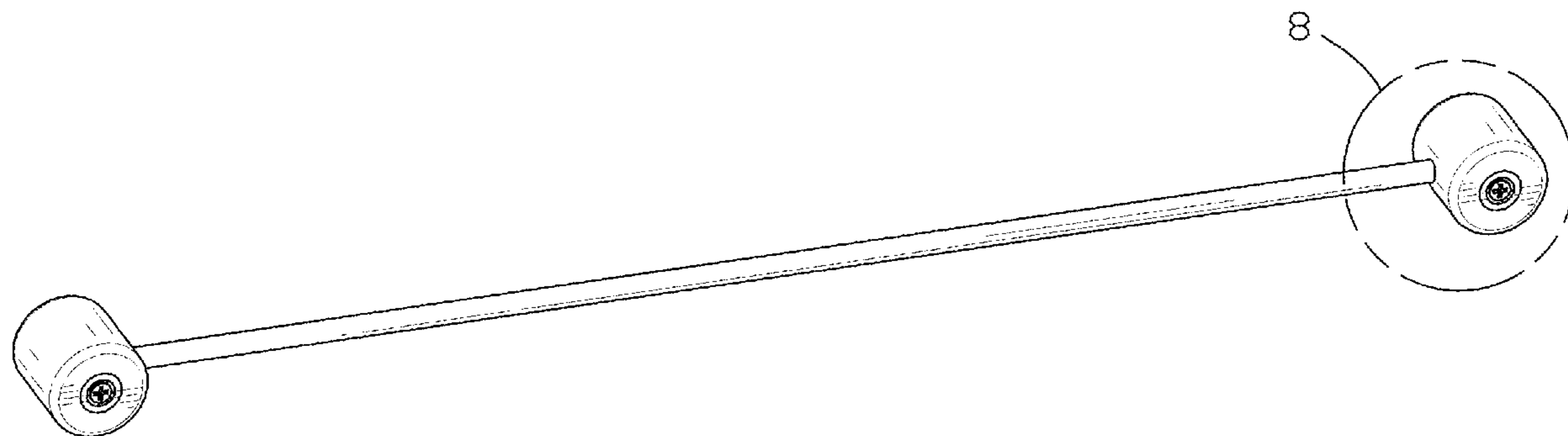
(57) **CLAIM**

The ornamental design for a curtain holdback tie, as shown and described.

DESCRIPTION

FIG. 1 is a front, left side, top perspective view of a curtain holdback tie showing my new design;
 FIG. 2 is a front elevational view thereof;
 FIG. 3 is a rear elevational view thereof;
 FIG. 4 is a left elevational view thereof;
 FIG. 5 is a right side elevational view thereof;
 FIG. 6 is a top side elevational view thereof;
 FIG. 7 is bottom plan view thereof;
 FIG. 8 is an enlarged view of the encircled region 8 shown in FIG. 1;
 FIG. 9 a front elevational view showing the curtain holdback tie being used in accordance with a first mode of use; and,
 FIG. 10 a front elevational view showing the curtain holdback tie being used in accordance with a second mode of use.
 The broken lines depict environment that forms no part of the claimed design for the curtain holdback tie.

1 Claim, 10 Drawing Sheets



- (56) **References Cited**
- U.S. PATENT DOCUMENTS
- 1,377,066 A * 5/1921 Garrabrant A47H 19/00
24/1
 - 2,365,664 A * 12/1944 Troensegaard A47H 19/00
160/349.2
 - 2,473,086 A * 6/1949 Montero A47G 29/083
248/308
 - 2,840,155 A * 6/1958 Stern A47H 13/00
160/124
 - D221,056 S * 7/1971 Minoff D8/367
 - 4,558,495 A * 12/1985 Olsen B23B 45/006
24/16 PB
 - D286,261 S * 10/1986 Smederod 160/349.2
 - D296,299 S * 6/1988 Bussell D10/32
 - D357,624 S * 4/1995 Ferdman D8/368
 - D366,999 S * 2/1996 Ferdman D8/368
 - D379,920 S * 6/1997 Bozzo D8/368
 - 5,670,221 A * 9/1997 Bried A47H 1/02
160/314
 - D475,278 S * 6/2003 Williams D3/328

(56)

References Cited

U.S. PATENT DOCUMENTS

8,534,626 B1 * 9/2013 Freese A47G 29/083
248/305
D721,570 S * 1/2015 Caughron D8/367
9,084,502 B2 7/2015 Lapadula
D762,589 S * 8/2016 Sanftleben B60D 1/58
D13/156
D787,303 S * 5/2017 Garvin D8/367
D795,678 S * 8/2017 Early D8/367
D813,654 S * 3/2018 Erickson D8/367
D838,060 S * 1/2019 Bitar D30/153
D848,246 S * 5/2019 Jones D8/368
D866,304 S 10/2019 Qi
D868,568 S * 12/2019 Elliott D8/367
10,746,324 B1 * 8/2020 Roth F16L 3/20
2002/0151930 A1 * 10/2002 Mills A61H 39/04
606/204
2019/0101152 A1 * 4/2019 Turbenson F16B 2/248

* cited by examiner

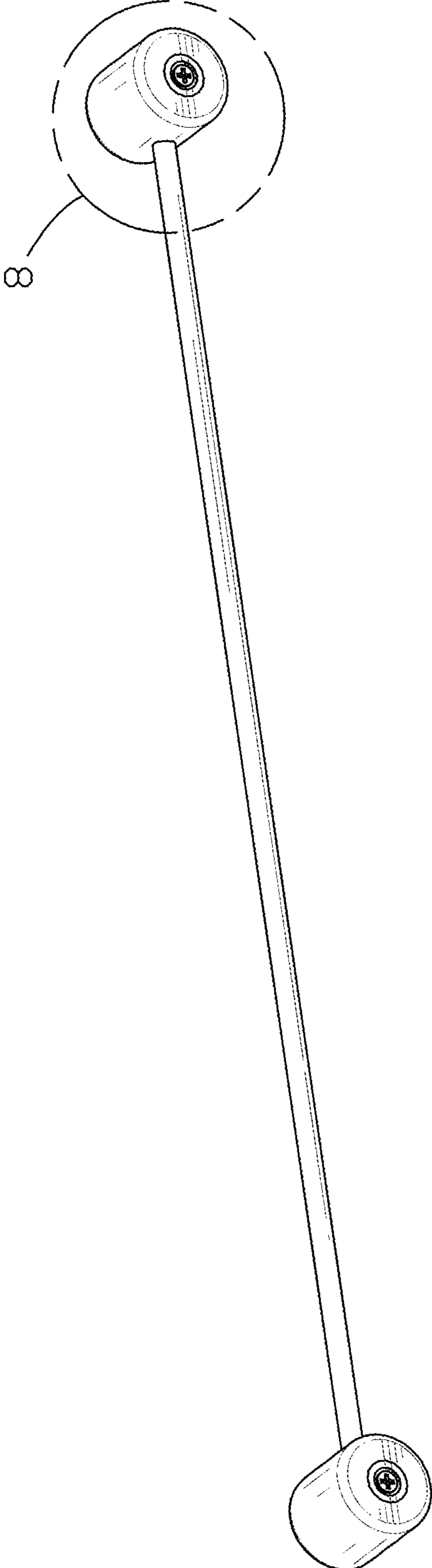


FIG.1

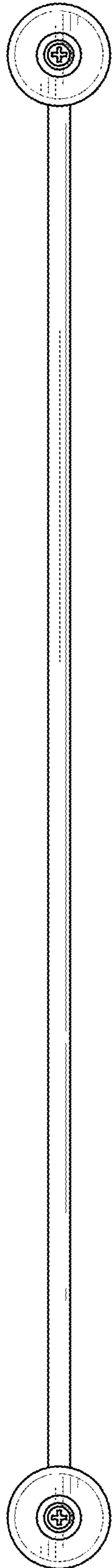


FIG. 2

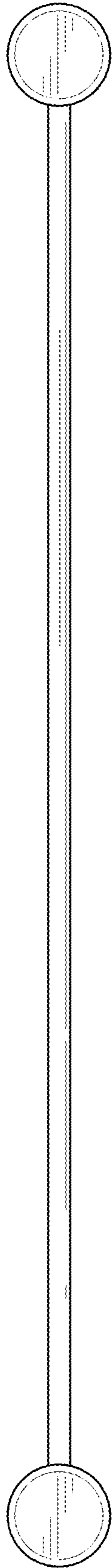


FIG. 3

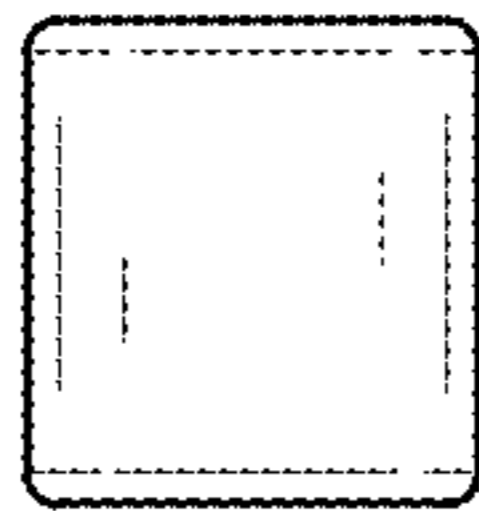


FIG.4

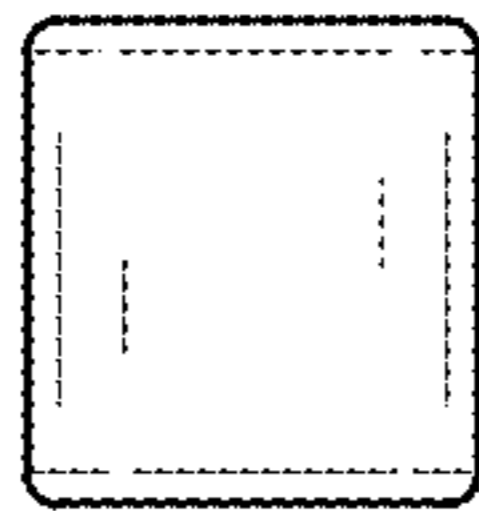


FIG.5

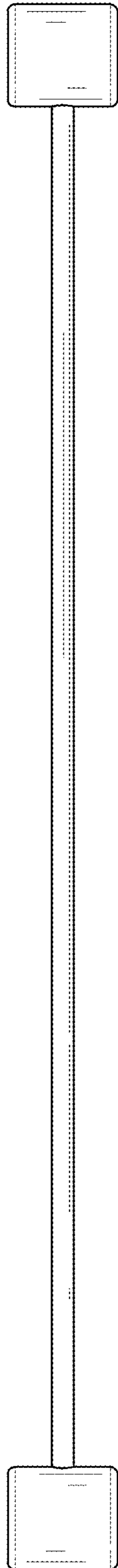


FIG.6

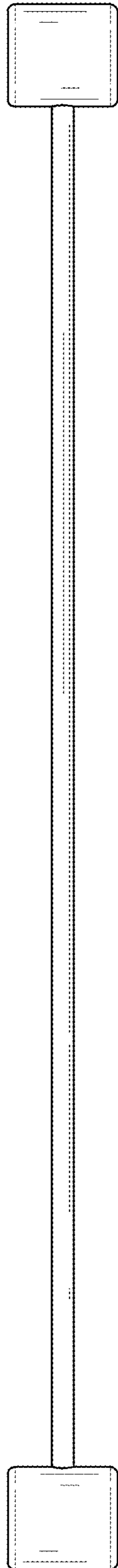


FIG. 7

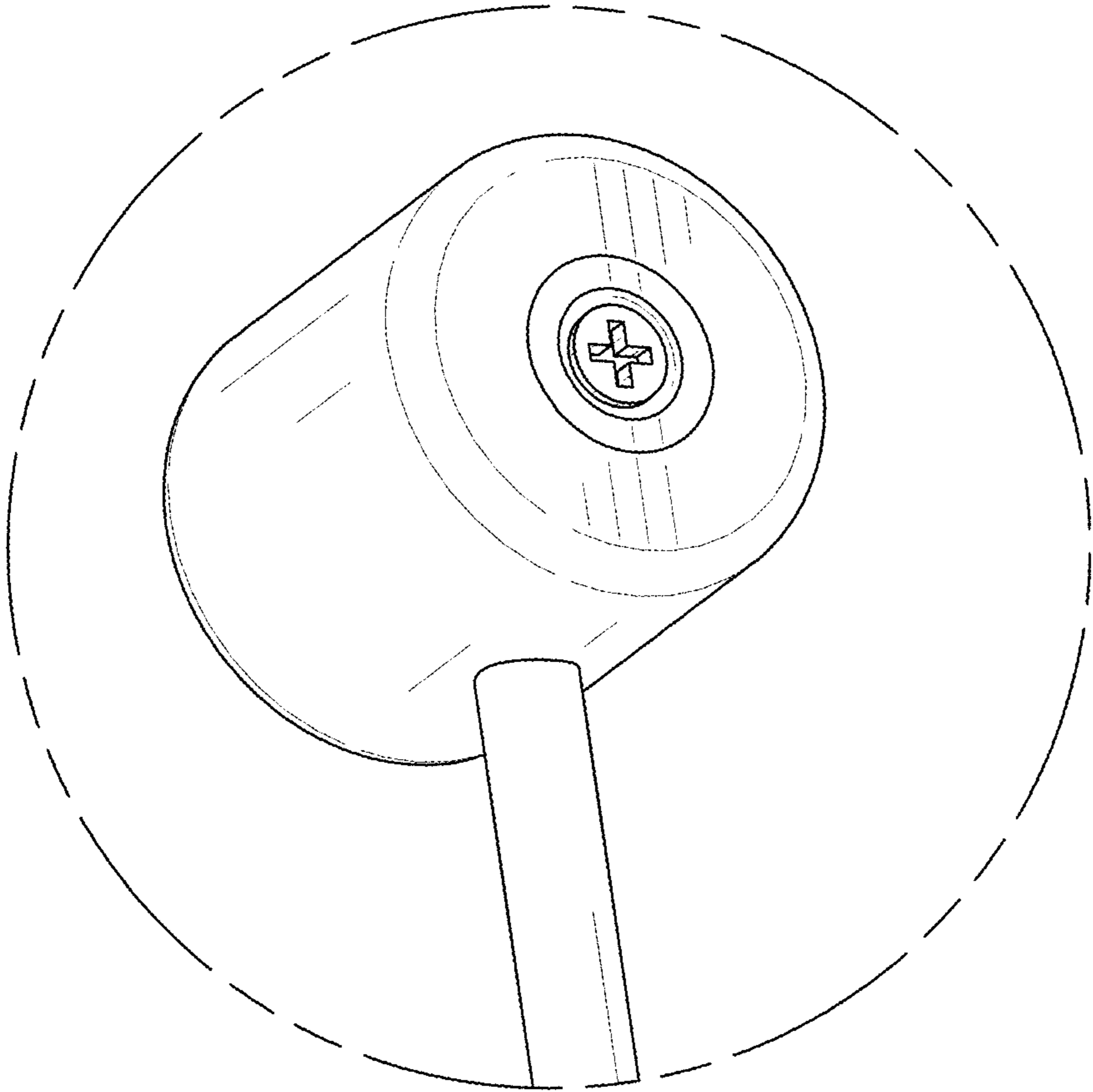


FIG.8

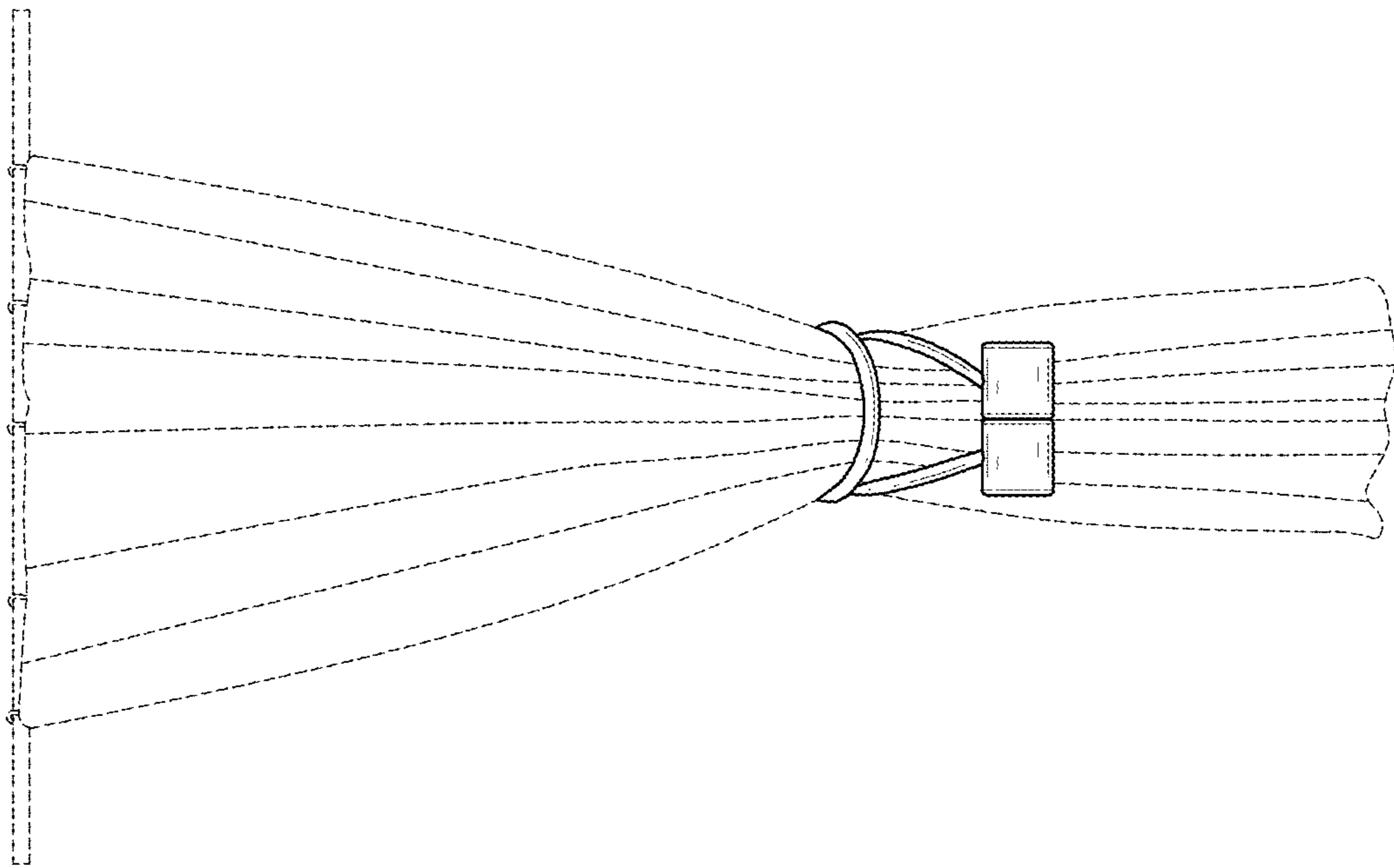


FIG.9

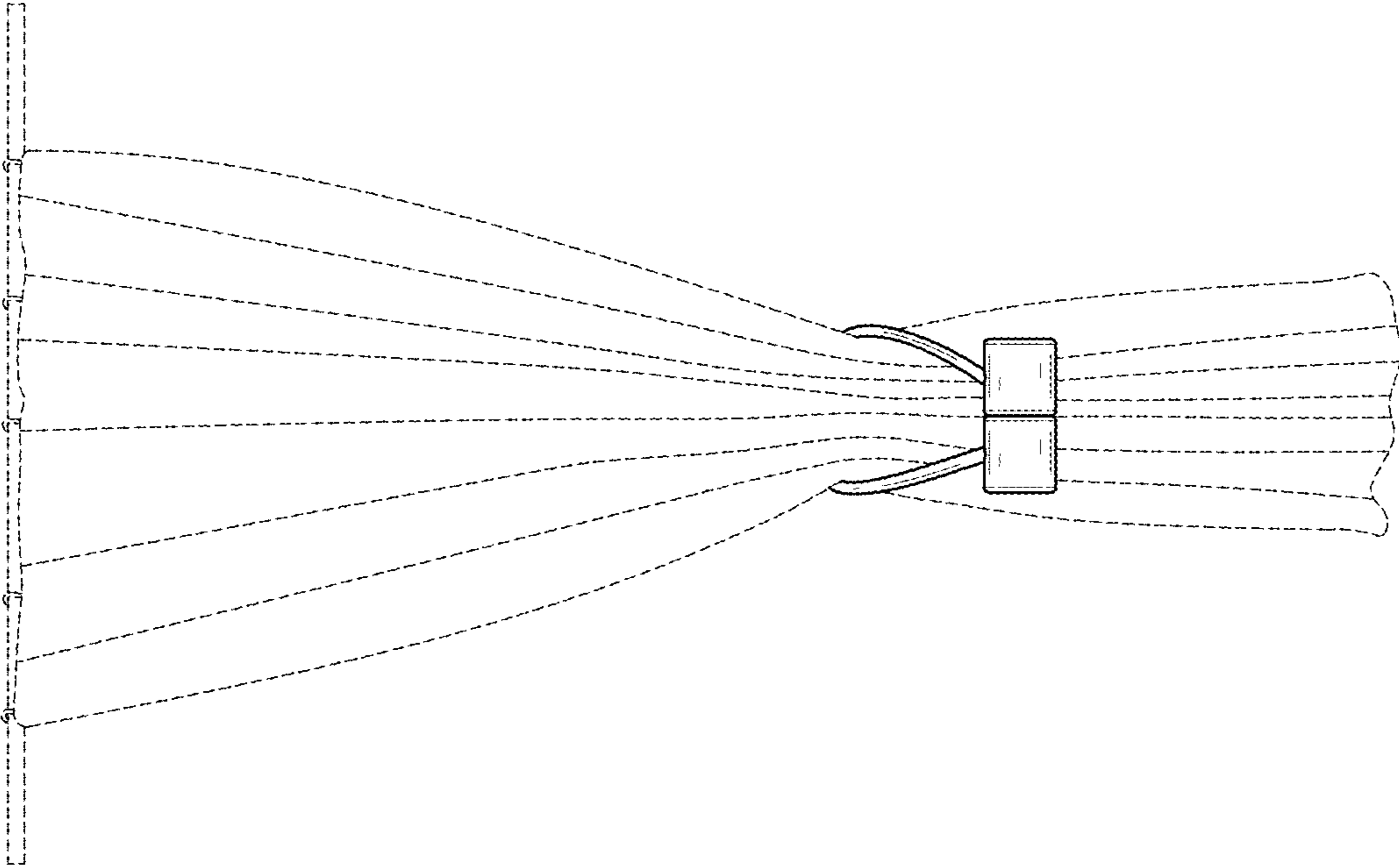


FIG.10