



US00D911153S

(12) **United States Design Patent**
Auston

(10) **Patent No.:** **US D911,153 S**

(45) **Date of Patent:** **** Feb. 23, 2021**

(54) **STRAP KEEPER FOR USE WITH A STRAP OF A HARNESS**

(71) Applicant: **CHECKMATE LIFTING & SAFETY LTD, Kent (GB)**

(72) Inventor: **Oliver Auston, Faversham (GB)**

(73) Assignee: **CHECKMATE LIFTING & SAFETY LTD, Kent (GB)**

(**) Term: **15 Years**

(21) Appl. No.: **29/708,217**

(22) Filed: **Oct. 4, 2019**

(51) **LOC (13) Cl.** **09-06**

(52) **U.S. Cl.**
USPC **D8/356**

(58) **Field of Classification Search**
USPC D8/356, 354, 349; D30/139; D11/218
CPC A44B 11/04; A44B 11/2557; A44B 11/12;
A44B 11/10; B65H 75/06

See application file for complete search history.

(56) **References Cited**

U.S. PATENT DOCUMENTS

4,123,012	A *	10/1978	Hough	B65H 75/06 242/405.2
5,123,153	A *	6/1992	Krauss	A44B 11/10 24/171
5,205,021	A *	4/1993	Durand	A44B 11/12 24/163 R
5,285,555	A *	2/1994	Bell	A44B 11/10 24/171
D446,163	S *	8/2001	Chung	D11/218
6,286,777	B1 *	9/2001	Black	B65H 75/06 242/388.6
D483,294	S *	12/2003	Uehara	D11/218
D507,509	S *	7/2005	Hou	D11/218
D508,218	S *	8/2005	Yoshiguchi	D11/218

D510,297	S *	10/2005	Funo	D11/218
D511,595	S *	11/2005	Bates	54/42.1
D564,409	S *	3/2008	Pontaoe	D11/218
D576,077	S *	9/2008	Yoshiguchi	D11/218
7,552,515	B2 *	6/2009	Funo	A44B 11/04 24/200
D619,497	S *	7/2010	Paik	D11/218
D619,498	S *	7/2010	Paik	D11/218
D649,907	S *	12/2011	Kataguchi	D11/218
D661,573	S *	6/2012	Paik	D8/367
D668,580	S *	10/2012	Kax	D11/218
D686,059	S *	7/2013	Paik	D8/356
D731,921	S *	6/2015	Kung	D11/218
D741,148	S *	10/2015	Liu	D11/218
9,155,360	B1 *	10/2015	Mowad	A41F 9/002
D742,722	S *	11/2015	Paik	D8/356

(Continued)

Primary Examiner — Cynthia R Underwood

(74) *Attorney, Agent, or Firm* — Dicke, Billig & Czaja, PLLC

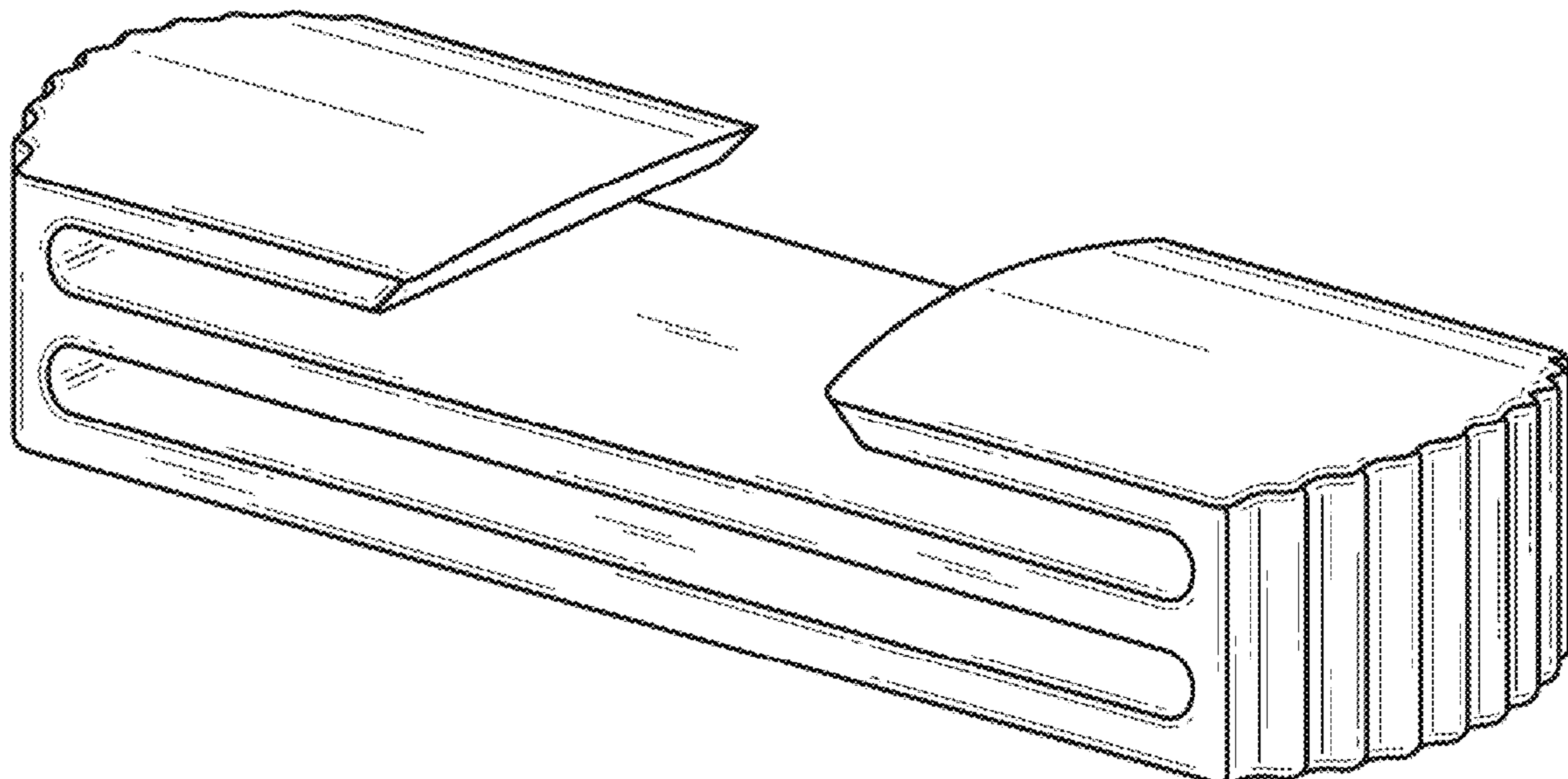
(57) **CLAIM**

The ornamental design for a strap keeper for use with a strap of a harness, as shown and described.

DESCRIPTION

FIG. 1 is a front perspective view of a strap keeper for use with a strap of a harness showing my new design;
 FIG. 2 is a front elevational view thereof, the rear being a mirror image;
 FIG. 3 is a top plan view thereof;
 FIG. 4 is bottom plan view thereof;
 FIG. 5 is a left side elevational view thereof, the right side being a mirror image; and,
 FIG. 6 is top plan view thereof connected to a strap of a harness, shown at reduced scale.
 Those portions of a harness shown in broken lines are included to depict environmental use of the claimed design and form no part of the claimed design.

1 Claim, 6 Drawing Sheets



(56)

References Cited

U.S. PATENT DOCUMENTS

D763,666	S *	8/2016	Wengreen	D8/356
9,433,259	B2 *	9/2016	Jacobsen	A44B 11/10
D782,287	S *	3/2017	Chen	D8/356
9,743,717	B2 *	8/2017	Custer	A44B 11/22
D808,251	S *	1/2018	Hetrick	D8/356
D823,717	S *	7/2018	Ho	D11/218
10,039,349	B2 *	8/2018	Muller	A42B 3/08
D830,226	S *	10/2018	Chang	D11/218
D830,948	S *	10/2018	Fenchak	D12/414
D839,084	S *	1/2019	Mikoska	D8/356
10,188,177	B2 *	1/2019	Prugue	A44B 11/18
D839,719	S *	2/2019	Burrell	D8/356
D840,869	S *	2/2019	Koreishi	D11/218
D840,870	S *	2/2019	Koreishi	D11/218
D842,078	S *	3/2019	Martino	D8/356
D843,887	S *	3/2019	Frost	D11/218
D847,016	S *	4/2019	Stringham	D11/218
D868,625	S *	12/2019	Paik	D11/218
10,531,710	B2 *	1/2020	Allen	A44B 11/2557
D877,280	S *	3/2020	Eitan	D22/108
10,602,807	B2 *	3/2020	Ben-Arie	A43C 11/14
10,617,179	B2 *	4/2020	Fiedler	A44B 11/12
10,654,442	B2 *	5/2020	Wang	B60R 22/26
2013/0333119	A1 *	12/2013	Maynard	B25F 1/00 7/163
2014/0018807	A1 *	1/2014	Foerster	A61B 17/8869 606/74

* cited by examiner

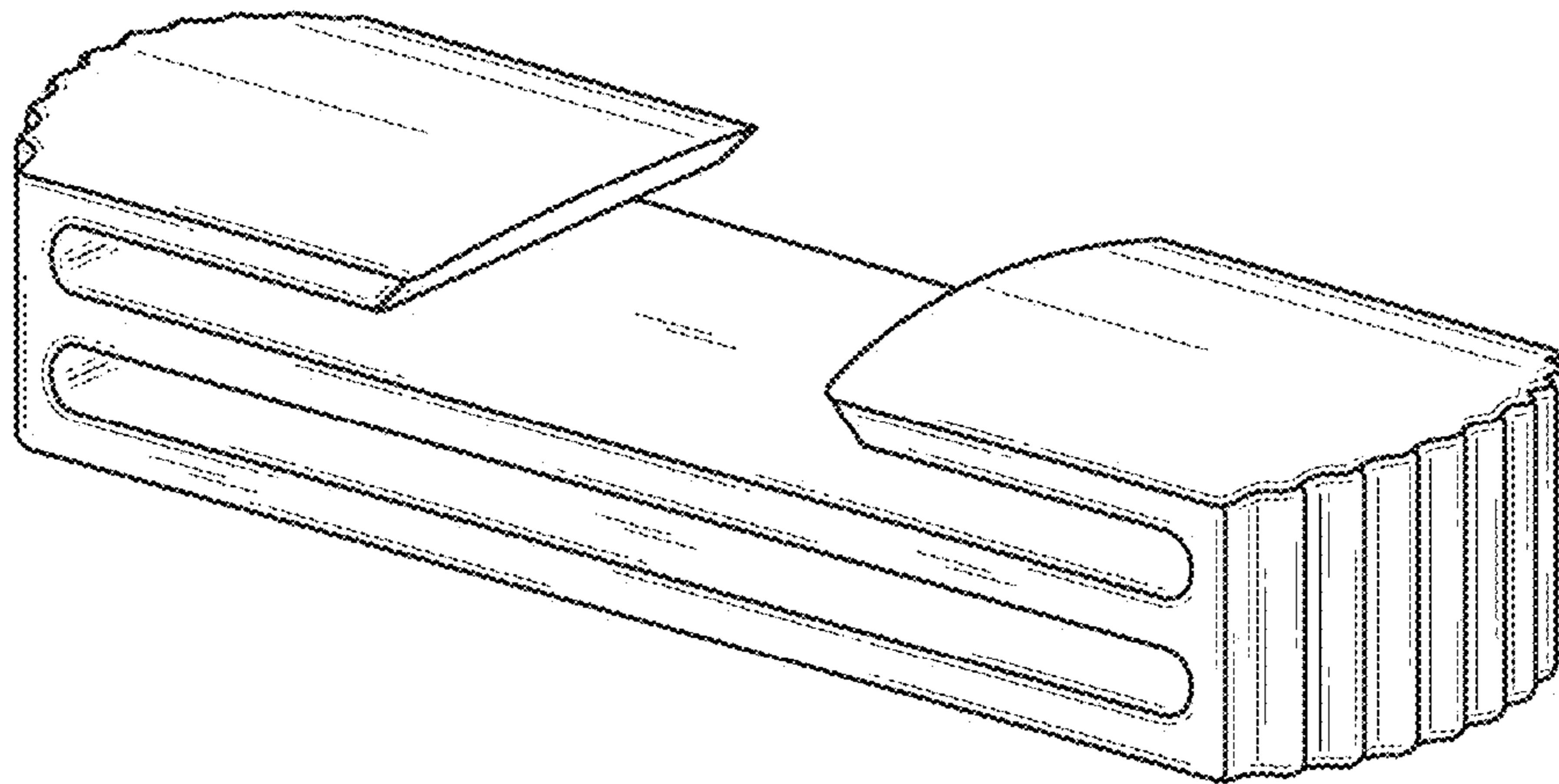


Fig. 1

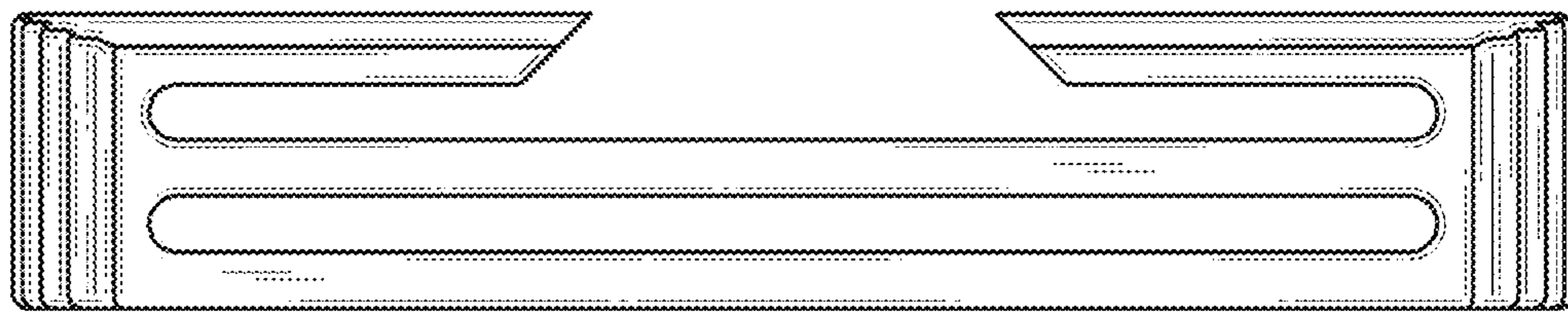


Fig. 2

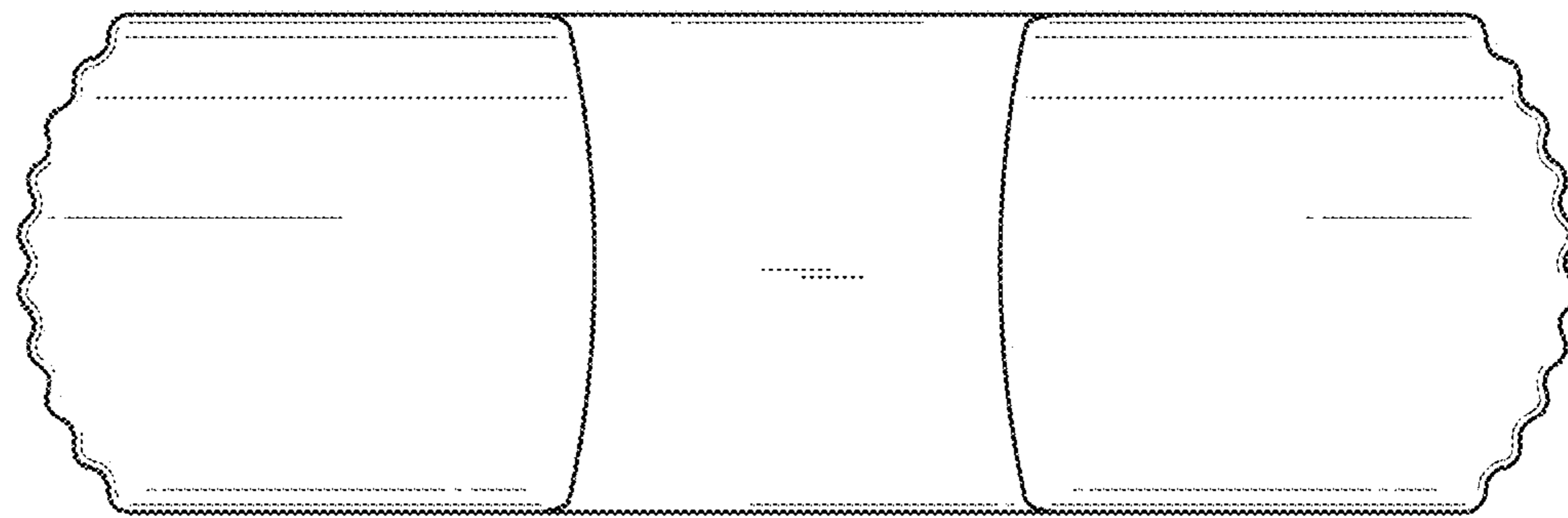


Fig. 3

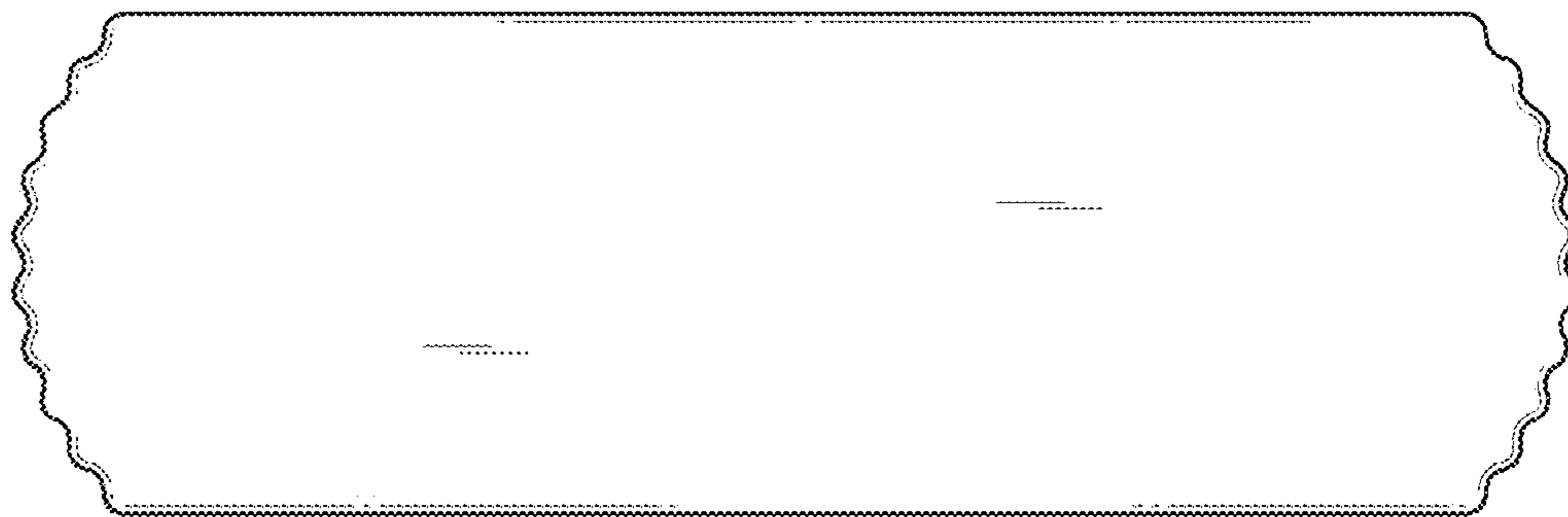


Fig. 4

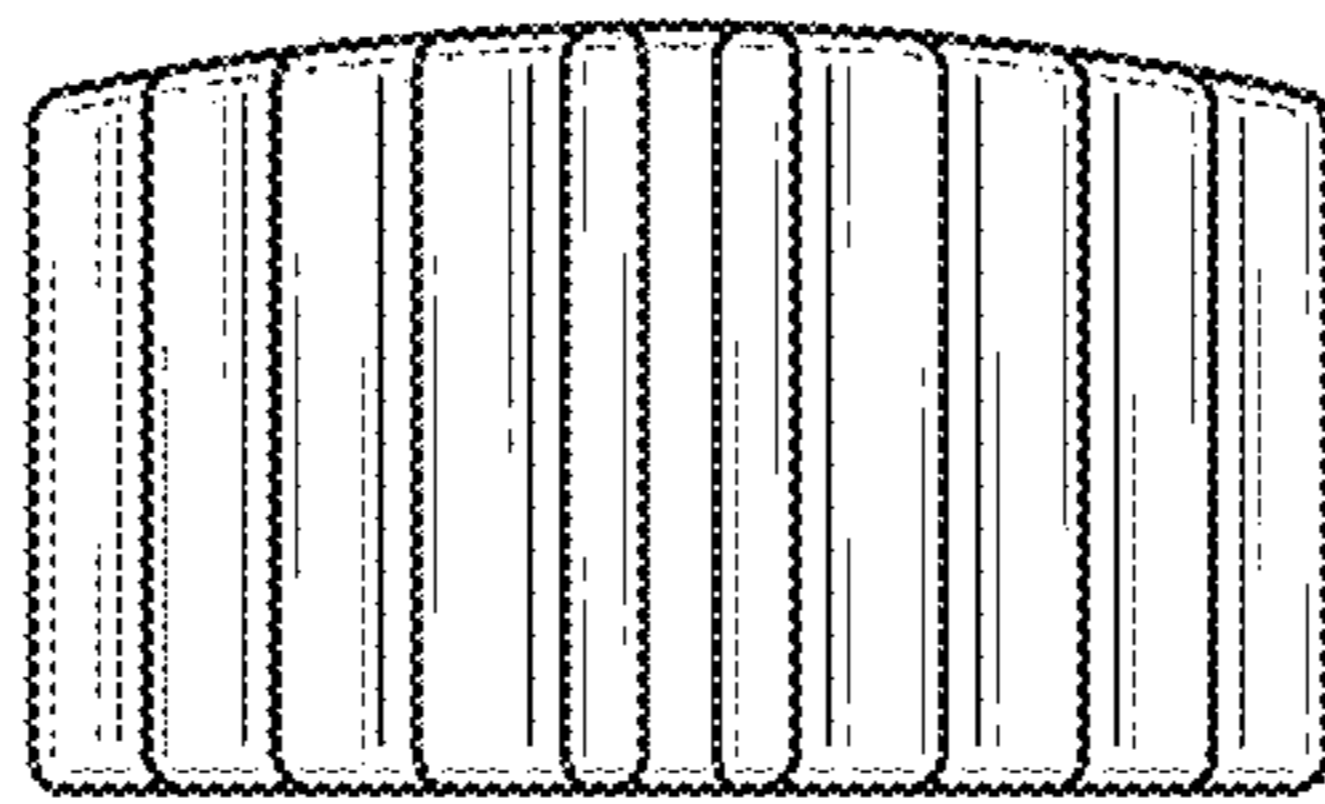


Fig. 5

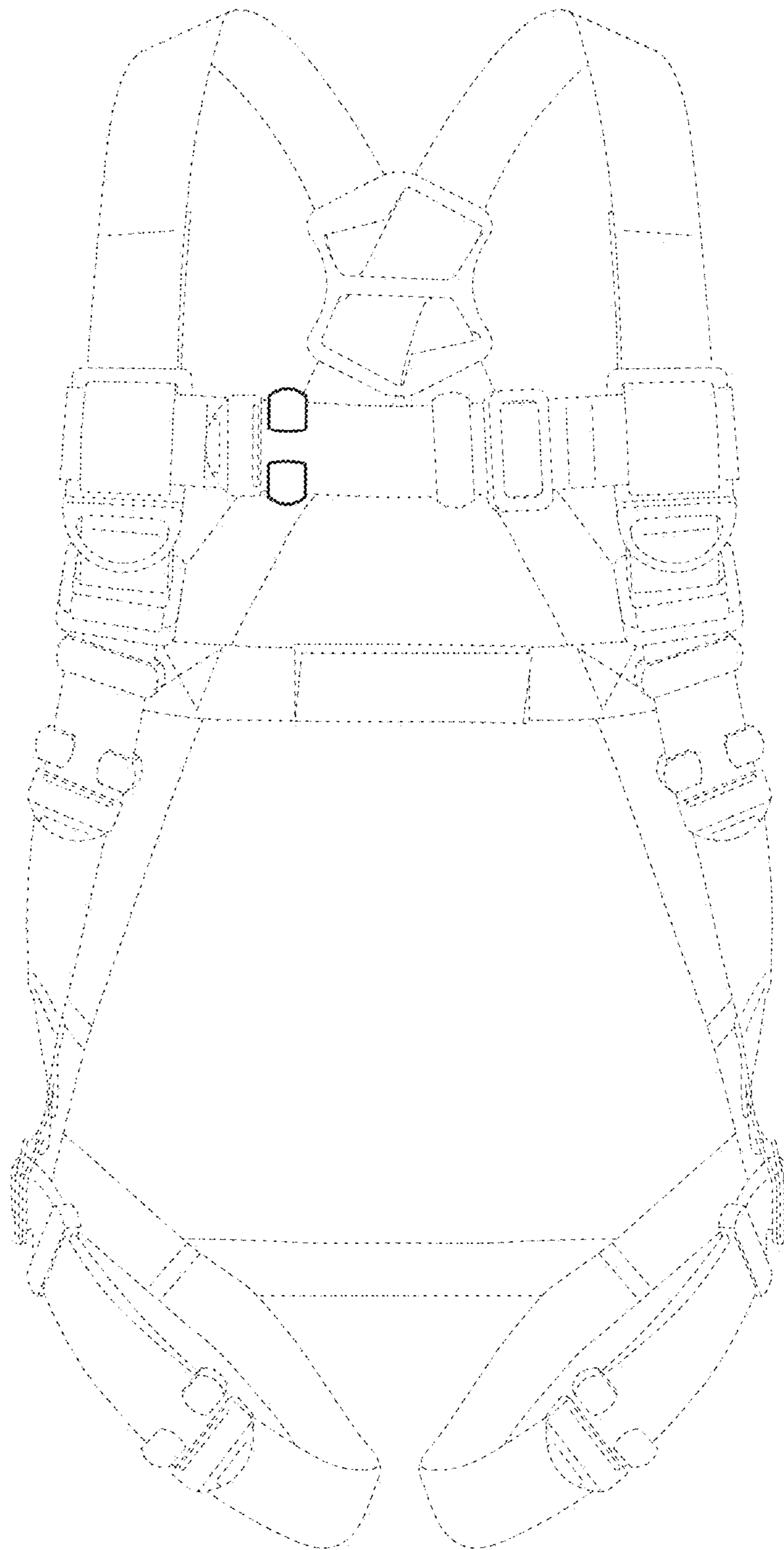


Fig. 6