



US00D911151S

(12) **United States Design Patent**
Smith

(10) **Patent No.:** **US D911,151 S**
(45) **Date of Patent:** **** Feb. 23, 2021**

(54) **MOUNTING BRACKET FOR DEAD-END UTILITY LINES**

6,378,821 B1 4/2002 McKelvy et al.
D469,336 S * 1/2003 Votruba D8/343
D512,903 S * 12/2005 Gallien D8/349
D614,477 S * 4/2010 Edwards E04F 11/1842
D8/354

(71) Applicant: **Dovetel Communications, LLC**,
Bremen, GA (US)

(Continued)

(72) Inventor: **Allen Smith**, Bremen, GA (US)

(73) Assignee: **Dovetel Communications, LLC**,
Bremen, GA (US)

(**) Term: **15 Years**

(21) Appl. No.: **29/694,014**

(22) Filed: **Jun. 6, 2019**

(51) **LOC (13) Cl.** **08-05**

(52) **U.S. Cl.**
USPC **D8/354**

(58) **Field of Classification Search**
USPC D8/373, 394, 333, 300, 349, 354, 356,
D8/363, 366, 380, 382, 383, 396, 499
CPC E06B 11/02; E06B 3/984; E06B 11/04;
E06B 3/9641; E06B 3/9687; E06B
11/022; E06B 2003/7063; E06B
2009/002; E06B 3/9649
See application file for complete search history.

(56) **References Cited**

U.S. PATENT DOCUMENTS

1,431,662 A 10/1922 Horning
2,321,671 A 6/1943 La Grotta
2,775,422 A 12/1956 Von Herbulis et al.
2,979,299 A 4/1961 Huggins
3,468,571 A 9/1969 Farmer
3,474,995 A 10/1969 Amidon et al.
3,794,751 A 2/1974 Farmer et al.
4,529,838 A 7/1985 Hall
4,596,105 A 6/1986 Farmer
4,948,924 A 8/1990 Farmer
5,213,298 A 5/1993 Johnson
5,445,348 A 8/1995 Caldwell et al.
D378,986 S * 4/1997 Darula D8/354
D420,566 S * 2/2000 Ely D8/354

OTHER PUBLICATIONS

Preformed Line Products, Application Procedure & Safety Considerations—Preformed Line Products—FIBERLIGN® Aluminum Support, www.preformed.com, Feb. 2002, pp. 1-4, Preformed Line Products, Cleveland, Ohio.

(Continued)

Primary Examiner — Janice Hallmark

Assistant Examiner — Harold E Blackwell, II

(74) *Attorney, Agent, or Firm* — Thomas B. McGurk

(57) **CLAIM**

The ornamental design for a mounting bracket for dead-end utility lines, as shown and described.

DESCRIPTION

FIG. 1 is a perspective view of a mounting bracket for dead-end utility lines illustrating the claim design.

FIG. 2 is a front view of the mounting bracket shown in FIG. 1.

FIG. 3 is a right side view of the mounting bracket shown in FIG. 1.

FIG. 4 is a left side view of the mounting bracket shown in FIG. 1.

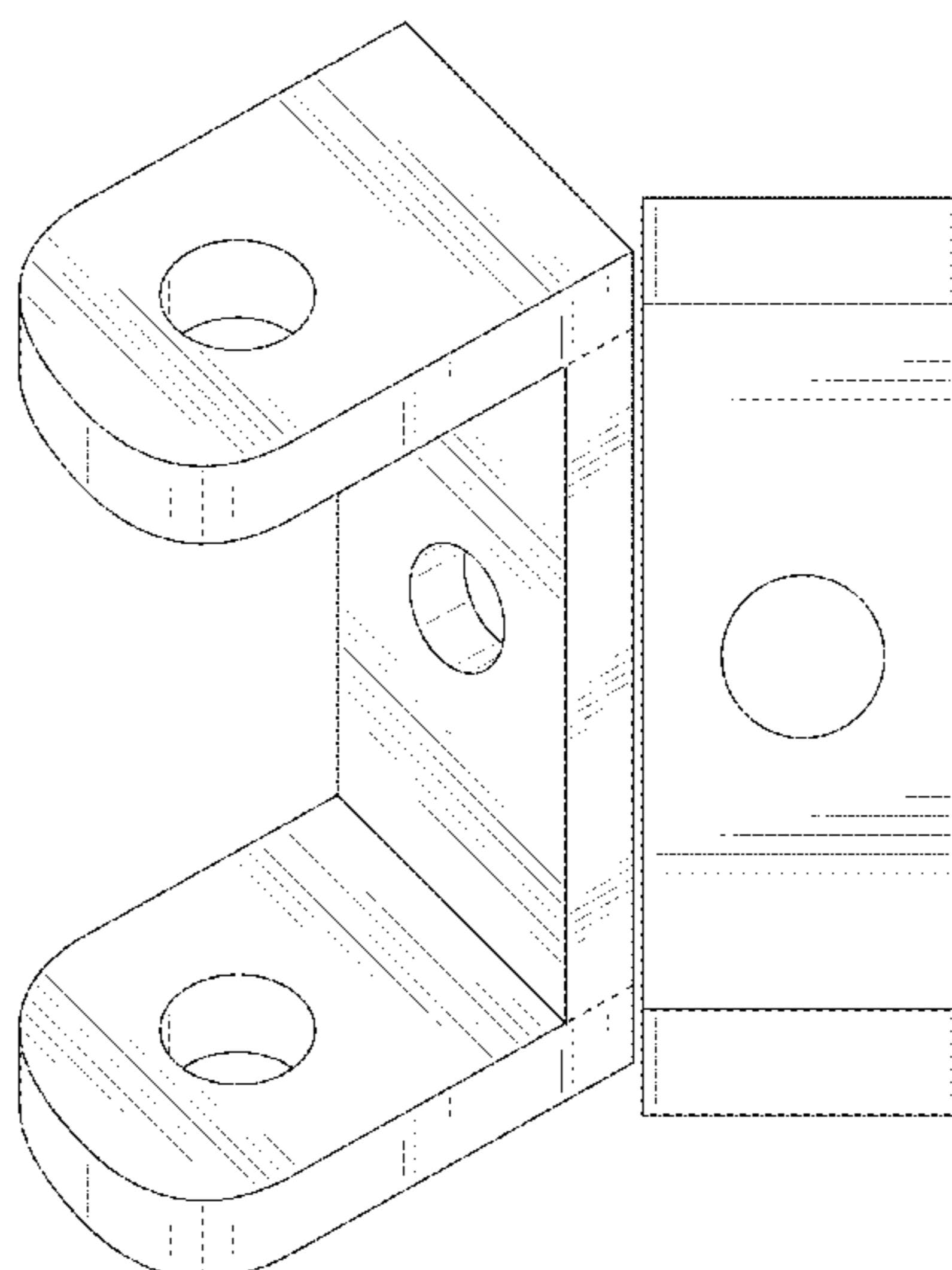
FIG. 5 is a top view of the mounting bracket shown in FIG. 1.

FIG. 6 is a bottom view of the mounting bracket shown in FIG. 1; and,

FIG. 7 is a rear view of the mounting bracket shown in FIG. 1.

The broken lines showing portions of the mounting bracket for dead-end utility lines form no part of the claimed design.

1 Claim, 7 Drawing Sheets



(56)

References Cited

U.S. PATENT DOCUMENTS

7,788,875	B2	9/2010	Wendt	
8,966,857	B2	3/2015	Pope et al.	
D748,966	S *	2/2016	Morinaga	D8/323
D800,536	S *	10/2017	Kelley	D8/354
D858,262	S *	9/2019	Wilson	D8/373
2008/0111035	A1	5/2008	Thomas et al.	
2014/0008380	A1	1/2014	Zou et al.	
2020/0003274	A1	1/2020	Malin	

OTHER PUBLICATIONS

Preformed Line Products, FIBERLIGN® Aluminum Suspension for ADSS, Dec. 2006, www.preformed.com, pp. 1-8, Preformed Line Products, Cleveland Ohio.

Preformed Line Products, FIBERLIGN® Dielectric Dead-end for ADSS, www.preformed.com, pp. 6-5-6-8, Preformed Line Products, Cleveland Ohio.

ATKC® E-Commerce Warehouse Online Store, B-Tani Heavy Duty 2" Galvanized Trunking Bracket 2.0 MM, www.ewarehouse.atkc.com.my/BTani-Heavy-Duty-2-Galvanized-Trunking-Bracket-2-0-MM-T-1-1-2-W1-x-3-1-2-H-x-2-W2, pp. 1-7, ATKC® E-Commerce Warehouse Online Store, Malaysia.

MCP Group Ltd, Channel C Bracket HDG 4 Hole, www.mcpuk.com/mechanical-containment-c1/supports-suspensions-c332/channel-brackets-c335/channel-c-bracket-hdg-4-hole-pp2037, pp. 1-2, MCP Group Ltd, United Kingdom.

Traffic Safety & Equipment Co., Perpendicular Bracket VS-C Clamp, <https://trafficsafetydirect.com/Perpendicular-bracket-VS-C-clamp>, pp. 1-2, Traffic Safety & Equipment Co., Mahwah, New Jersey.

* cited by examiner

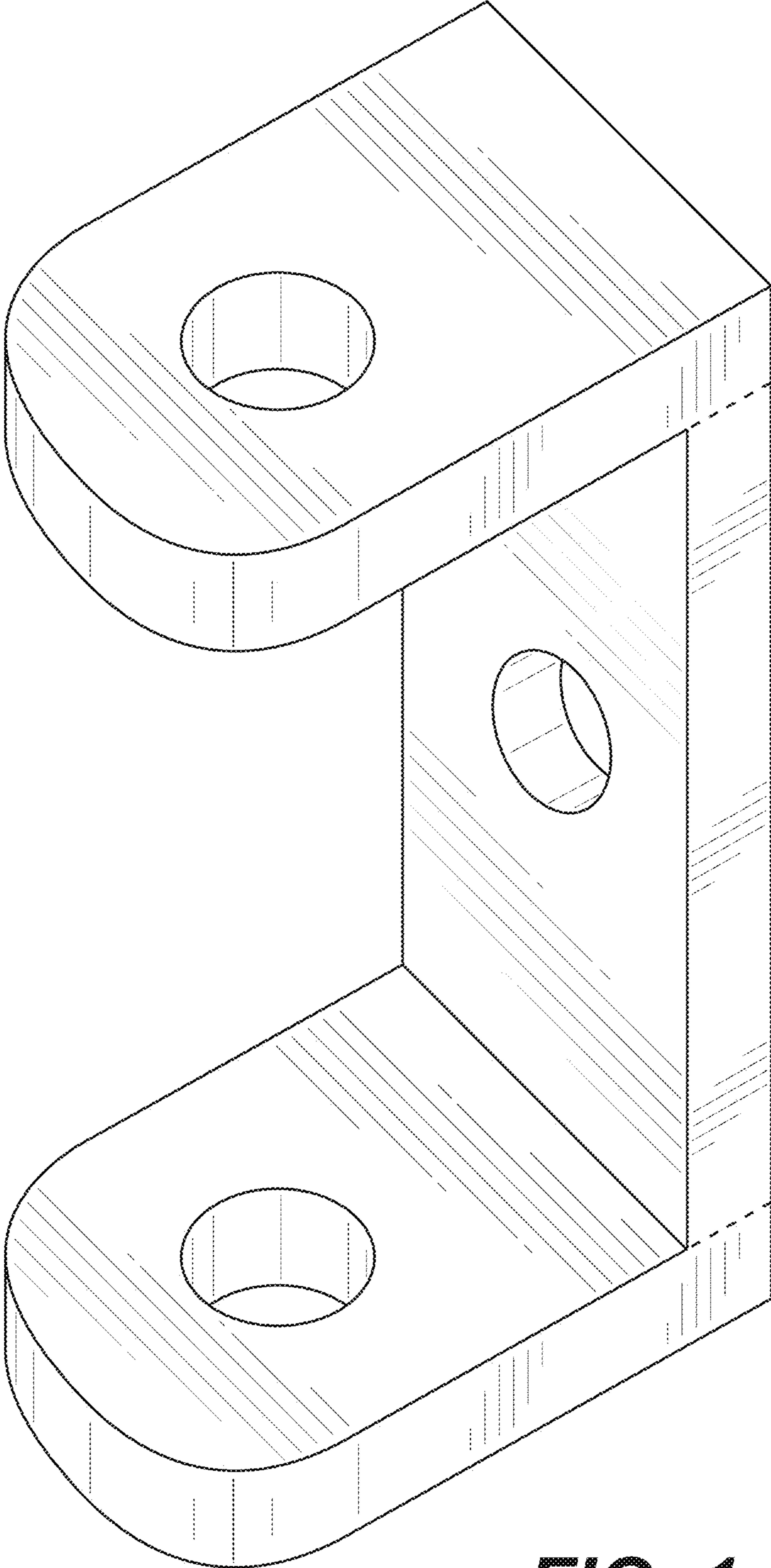


FIG. 1

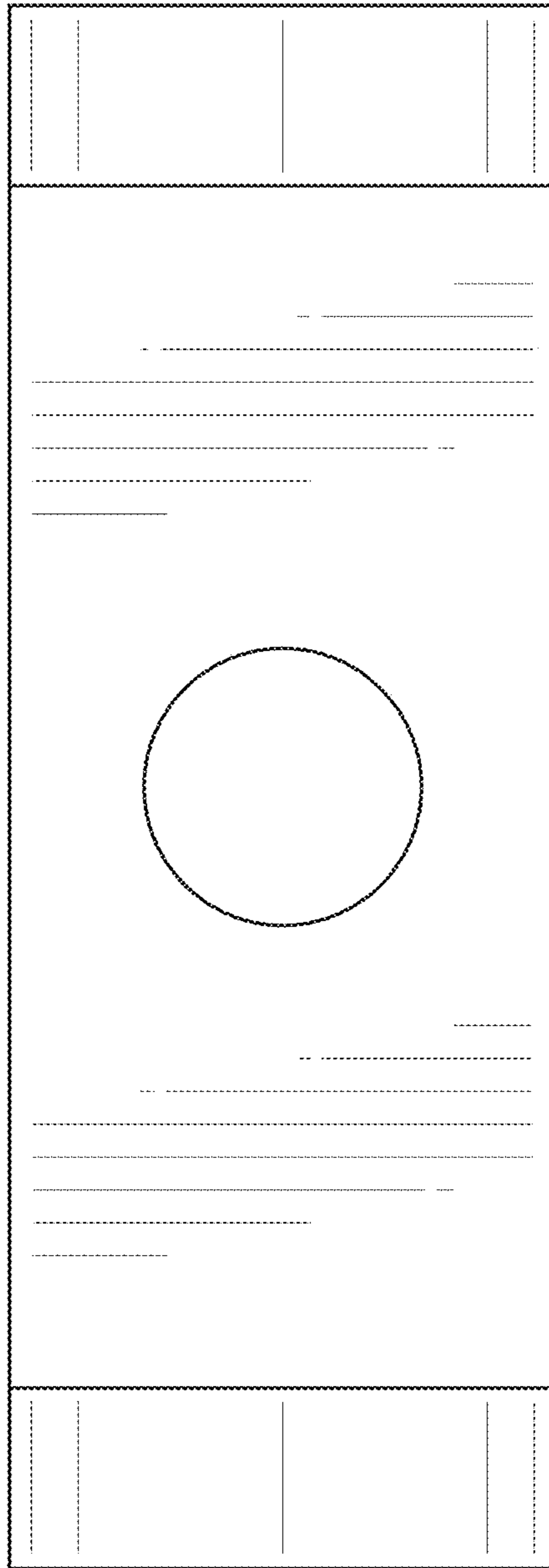


FIG. 2

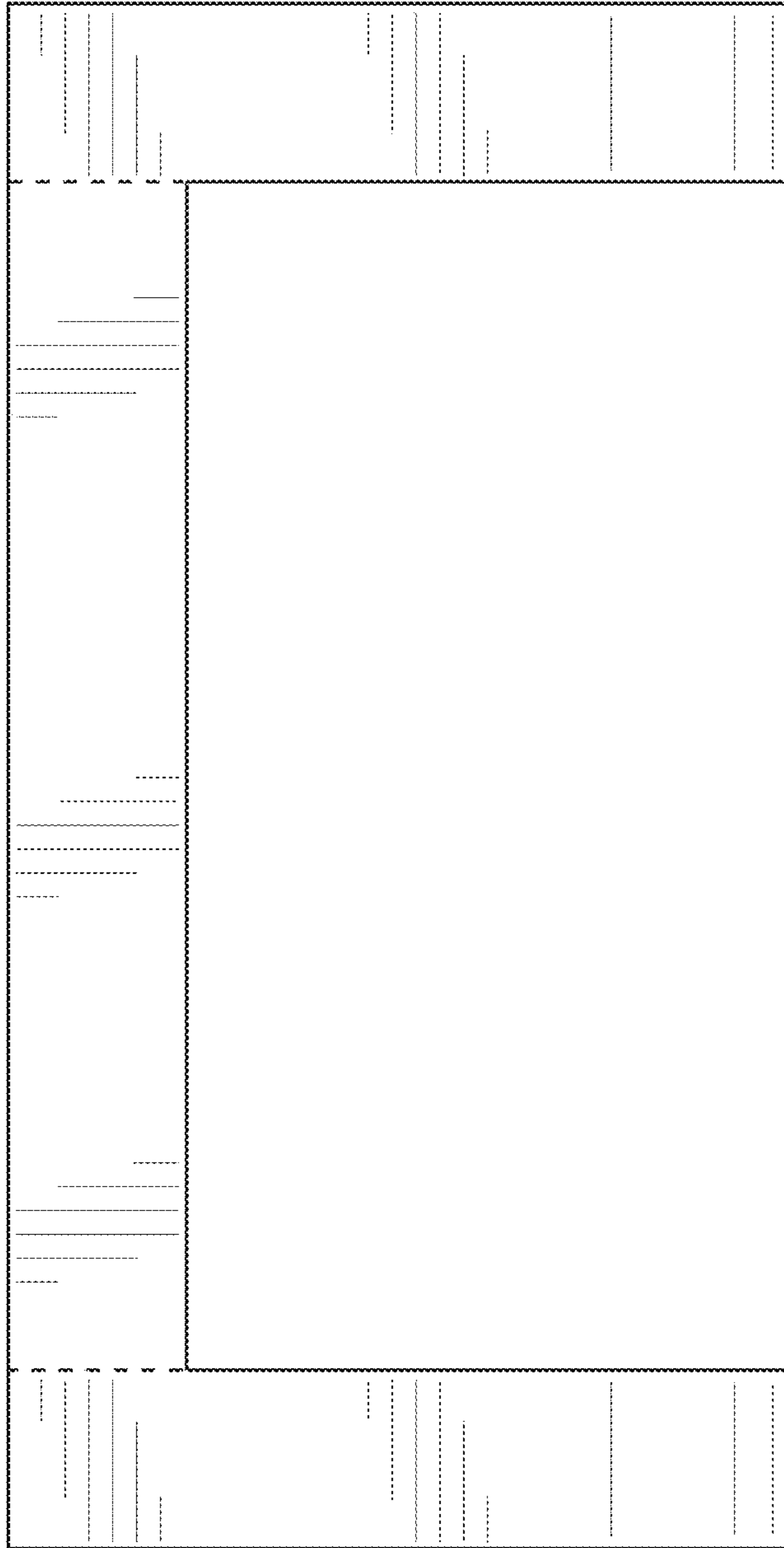


FIG. 3



FIG. 4

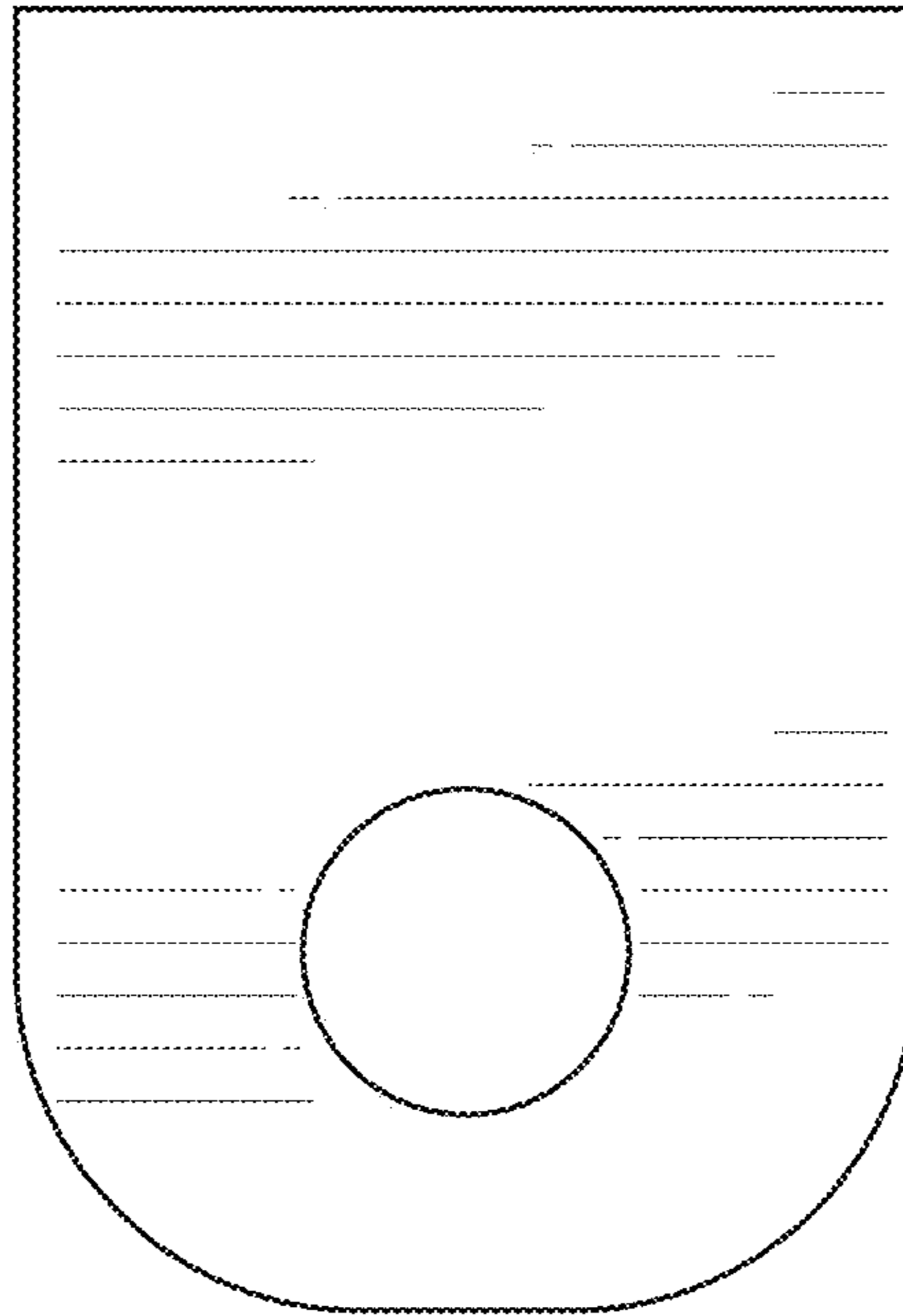


FIG. 5

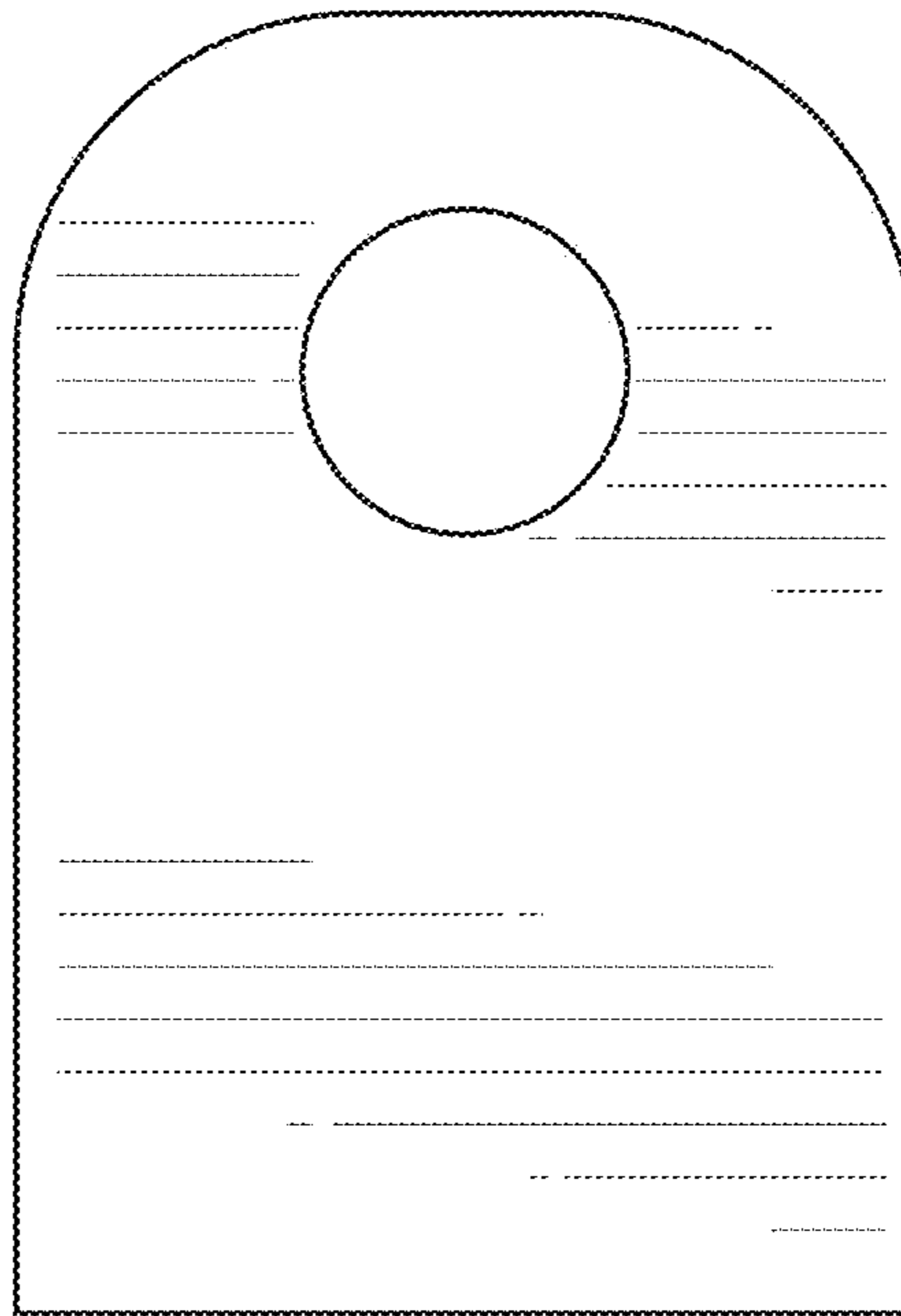


FIG. 6

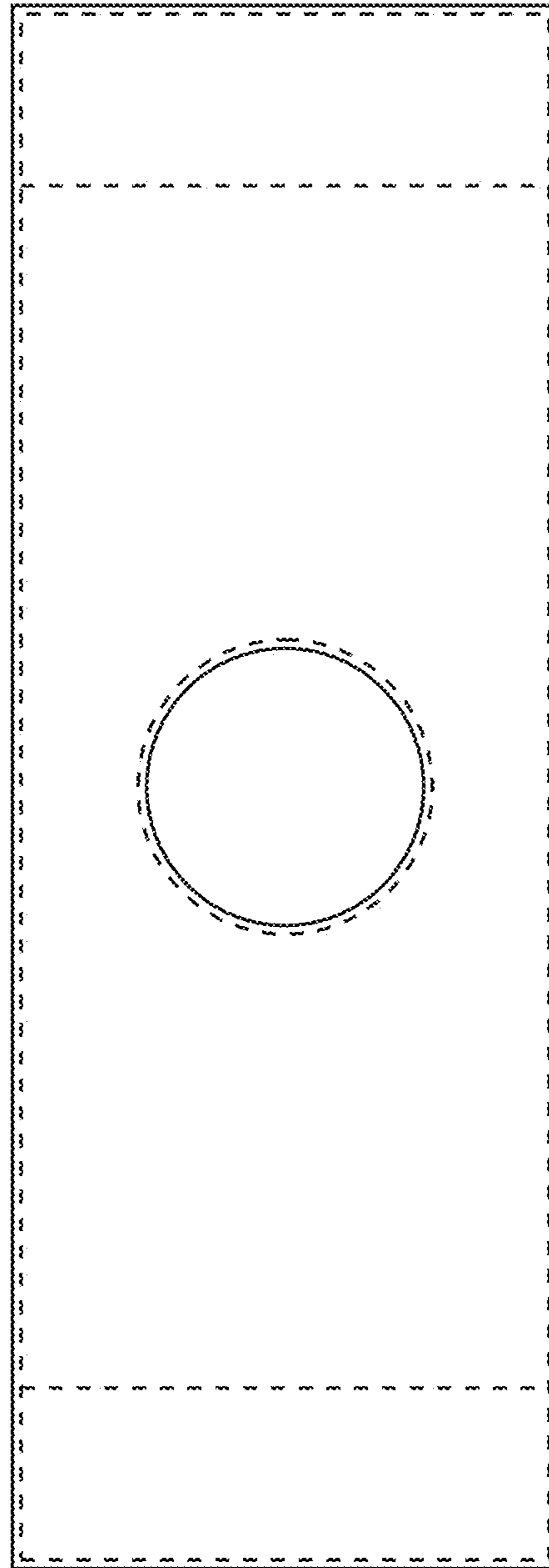


FIG. 7