



US00D911150S

(12) **United States Design Patent**
Lynch et al.

(10) **Patent No.:** **US D911,150 S**
(45) **Date of Patent:** **** Feb. 23, 2021**

(54) **CONNECTOR**

(71) Applicant: **LensLock, Inc.**, San Diego, CA (US)

(72) Inventors: **Jeremy Lynch**, San Diego, CA (US);
Jack Madrid, San Diego, CA (US)

(73) Assignee: **LensLock, Inc.**, Poway, CA (US)

(**) Term: **15 Years**

(21) Appl. No.: **29/717,847**

(22) Filed: **Dec. 19, 2019**

(51) **LOC (13) Cl.** **08-08**

(52) **U.S. Cl.**
USPC **D8/349**

(58) **Field of Classification Search**

USPC D8/349, 354, 355, 363, 373-377;
D13/154, 133, 129, 199; D12/317, 400,
D12/415, 416; D6/300, 301, 320, 323,
D6/325, 326, 328

CPC .. F16C 2314/72; F16C 29/0623; F16C 29/06;
F16C 29/0609; F16C 29/005; F16C
29/008; F16C 29/04; F16C 29/0657;
F16C 29/004; F16C 29/12; A47B 1/10;
A47B 88/493; A47B 88/423; A47B
2088/4235

See application file for complete search history.

(56) **References Cited**

U.S. PATENT DOCUMENTS

D274,903 S * 7/1984 Eckmann D13/107
D279,181 S * 6/1985 Claxton D13/107
(Continued)

OTHER PUBLICATIONS

ensLock Genesis 11 Body Worn Camera, cbqsouth, 2020 (Year:
2020).*

Primary Examiner — Mark A Goodwin

Assistant Examiner — Benjamin M Weeks

(74) *Attorney, Agent, or Firm* — Troutman Pepper
Hamilton Sanders LLP

(57) **CLAIM**

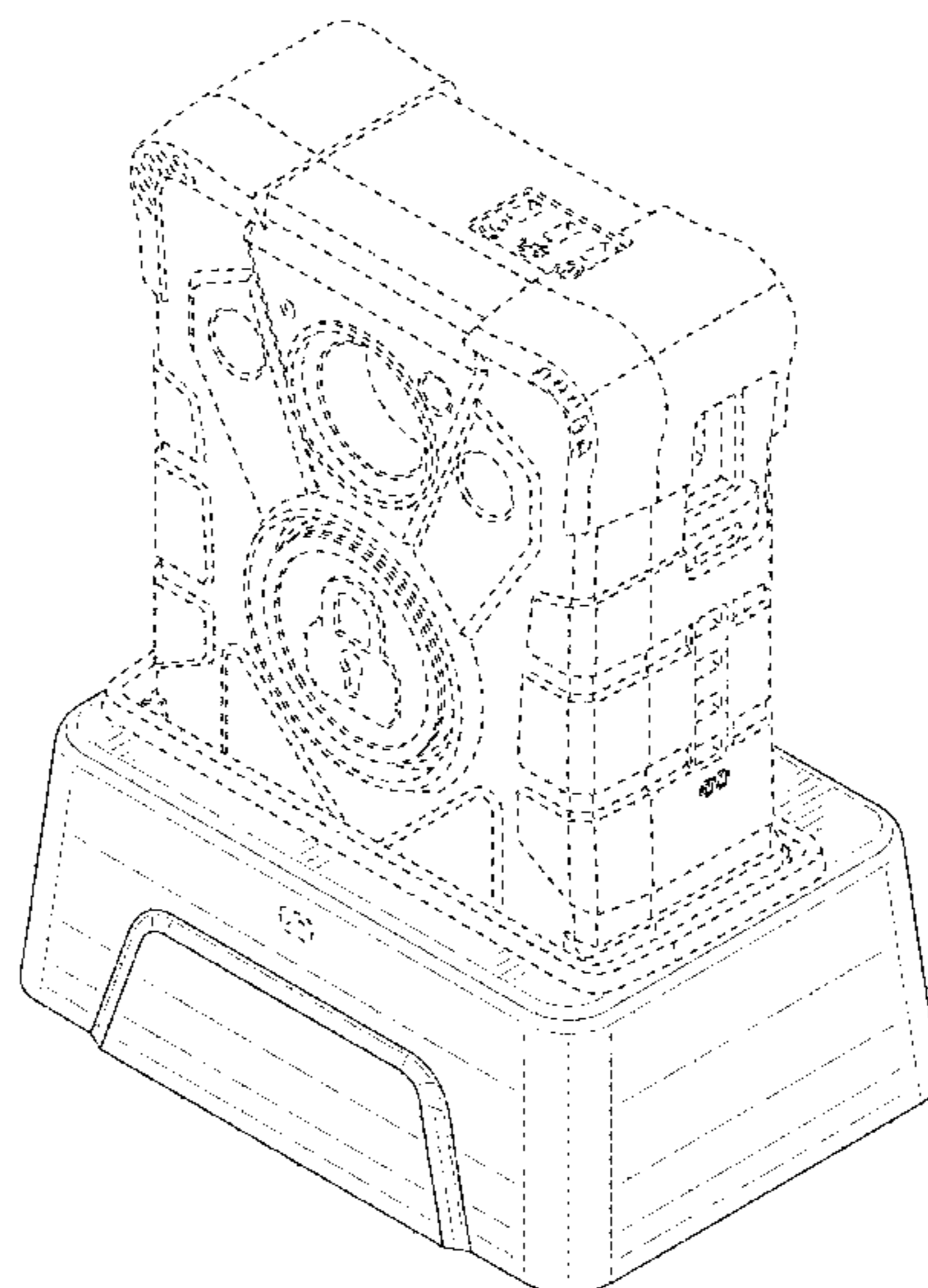
We claim the ornamental design for a connector, as shown
and described.

DESCRIPTION

FIG. 1 is a forward perspective view of a connector;
FIG. 2 is a forward plan view of the connector shown in FIG.
1;
FIG. 3 is a rear plan view of the connector shown in FIG. 1;
FIG. 4 is a left side view of the connector shown in FIG. 1;
FIG. 5 is a right side view of the connector shown in FIG.
1;
FIG. 6 is a top plan view of the connector shown in FIG. 1;
FIG. 7 is a bottom plan view of the connector shown in FIG.
1;
FIG. 8 is an exploded forward perspective view of the
connector in FIG. 1; and
FIG. 9 is a forward plan view of the connector shown in FIG.
8;
FIG. 10 is a rear plan view of the connector shown in FIG.
8;
FIG. 11 is a left side view of the connector shown in FIG.
8;
FIG. 12 is a right side view of the connector shown in FIG.
8;
FIG. 13 is a top plan view of the connector shown in FIG.
8; and,
FIG. 14 is a bottom plan view of the connector shown in
FIG. 8.

The broken lines shown represent unclaimed subject matter
and form no part of the claimed design. The shade lines
shown represent surface shading and not surface ornamen-
tation, color, or material type. The illustrated designs extend
to the boundary but do not include the boundary.

1 Claim, 14 Drawing Sheets



(56)

References Cited

U.S. PATENT DOCUMENTS

D297,827	S	*	9/1988	Lay	D13/108
D509,790	S	*	9/2005	Sakai	D13/108
D520,943	S	*	5/2006	Imai	D13/108
D524,730	S	*	7/2006	Vu	D13/108
D533,499	S	*	12/2006	Suzuki	D13/108
D535,615	S	*	1/2007	Iwai	D13/108
D535,941	S	*	1/2007	Miyashita	D13/107
D571,360	S	*	6/2008	Andre	D14/217
D637,155	S	*	5/2011	Jeon	D13/108
D828,806	S	*	9/2018	Smith	D13/108
D847,787	S	*	5/2019	Weirun	D14/217
D870,037	S	*	12/2019	Lee	D13/107
D876,442	S	*	2/2020	McCracken	H04R 5/04 D14/434
D886,094	S	*	6/2020	Xu	D14/253
D887,818	S	*	6/2020	Lynch	D8/349
D895,540	S	*	9/2020	Hasenmayer	D13/107

* cited by examiner

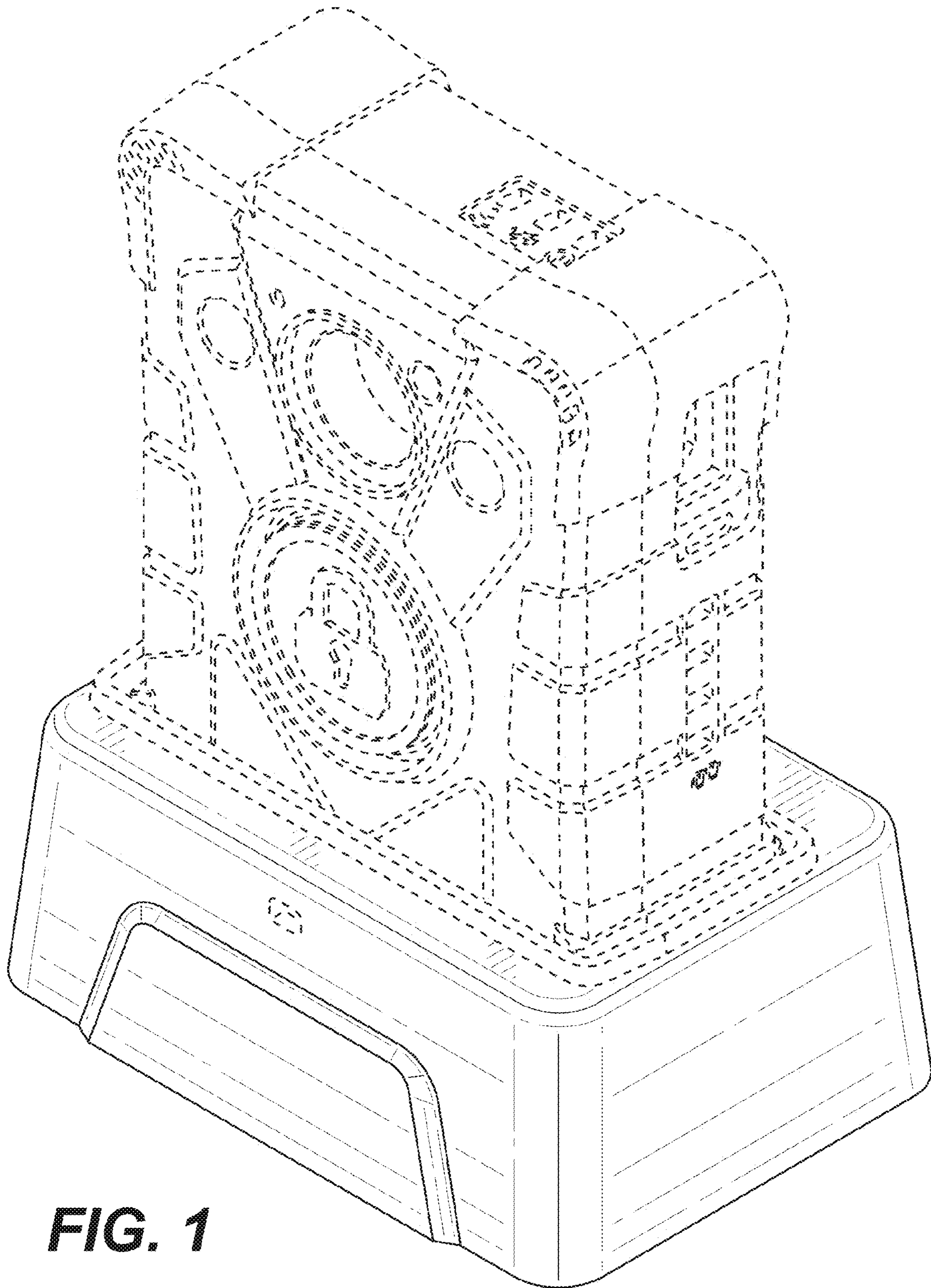


FIG. 1

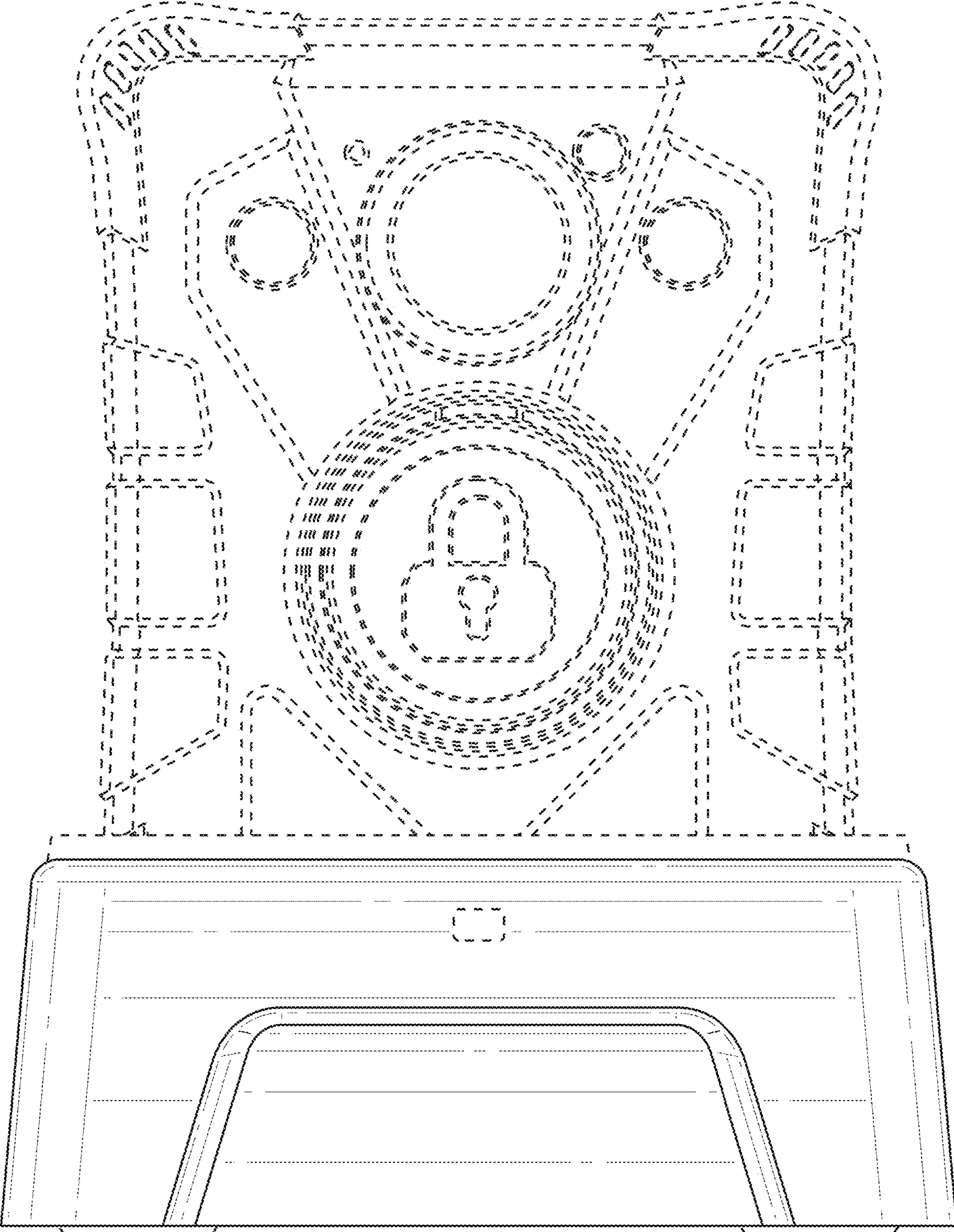


FIG. 2

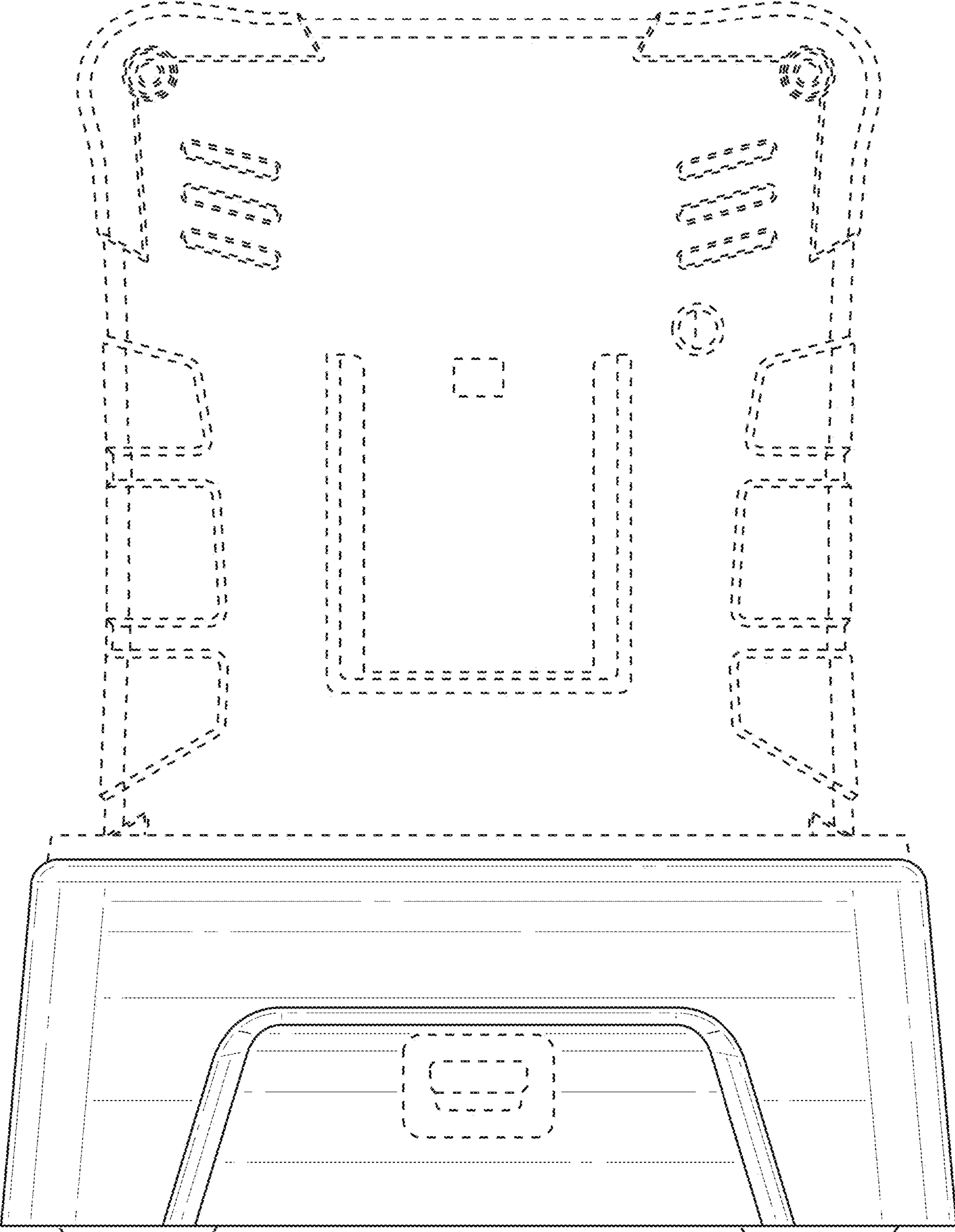


FIG. 3

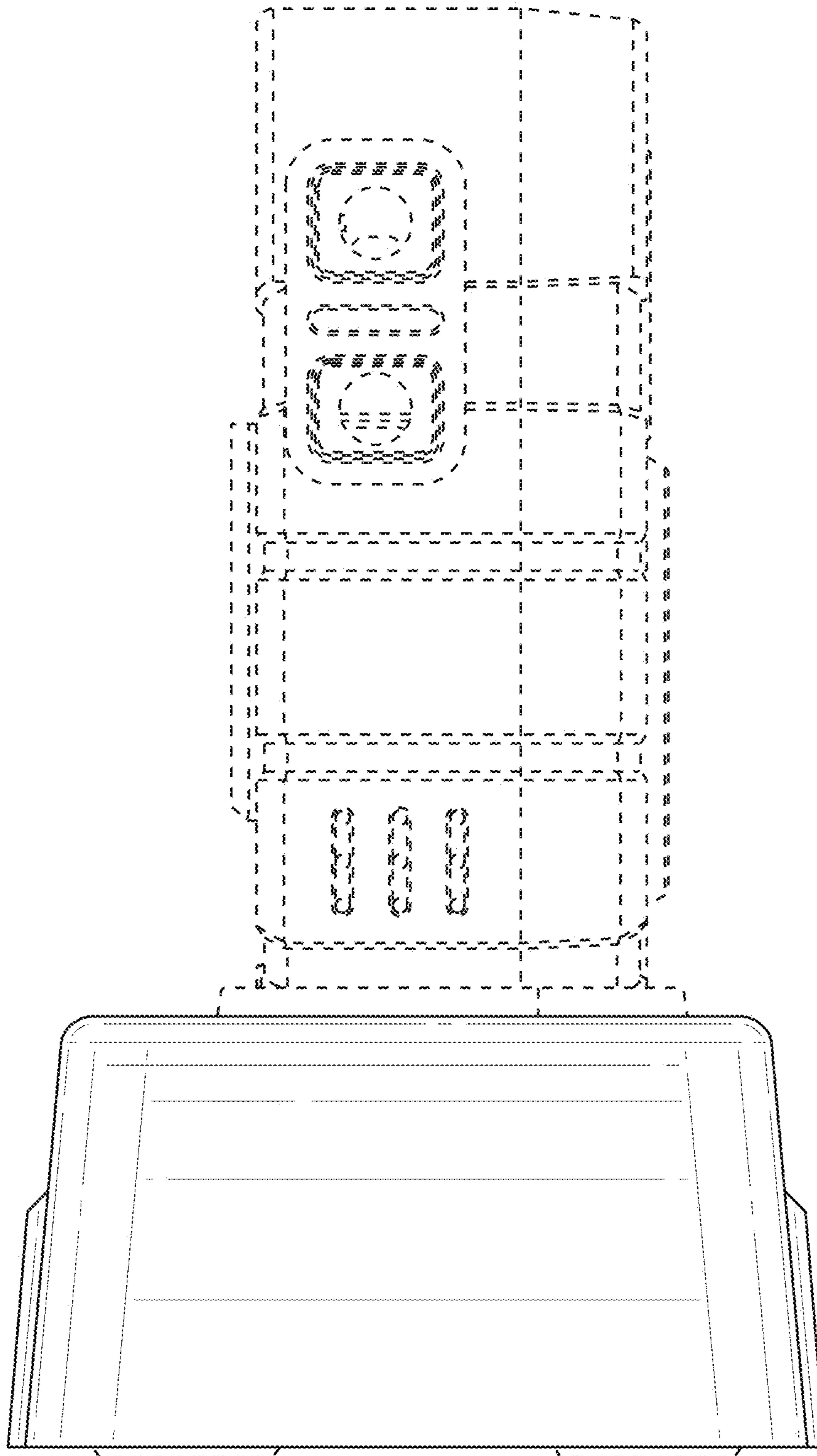


FIG. 4

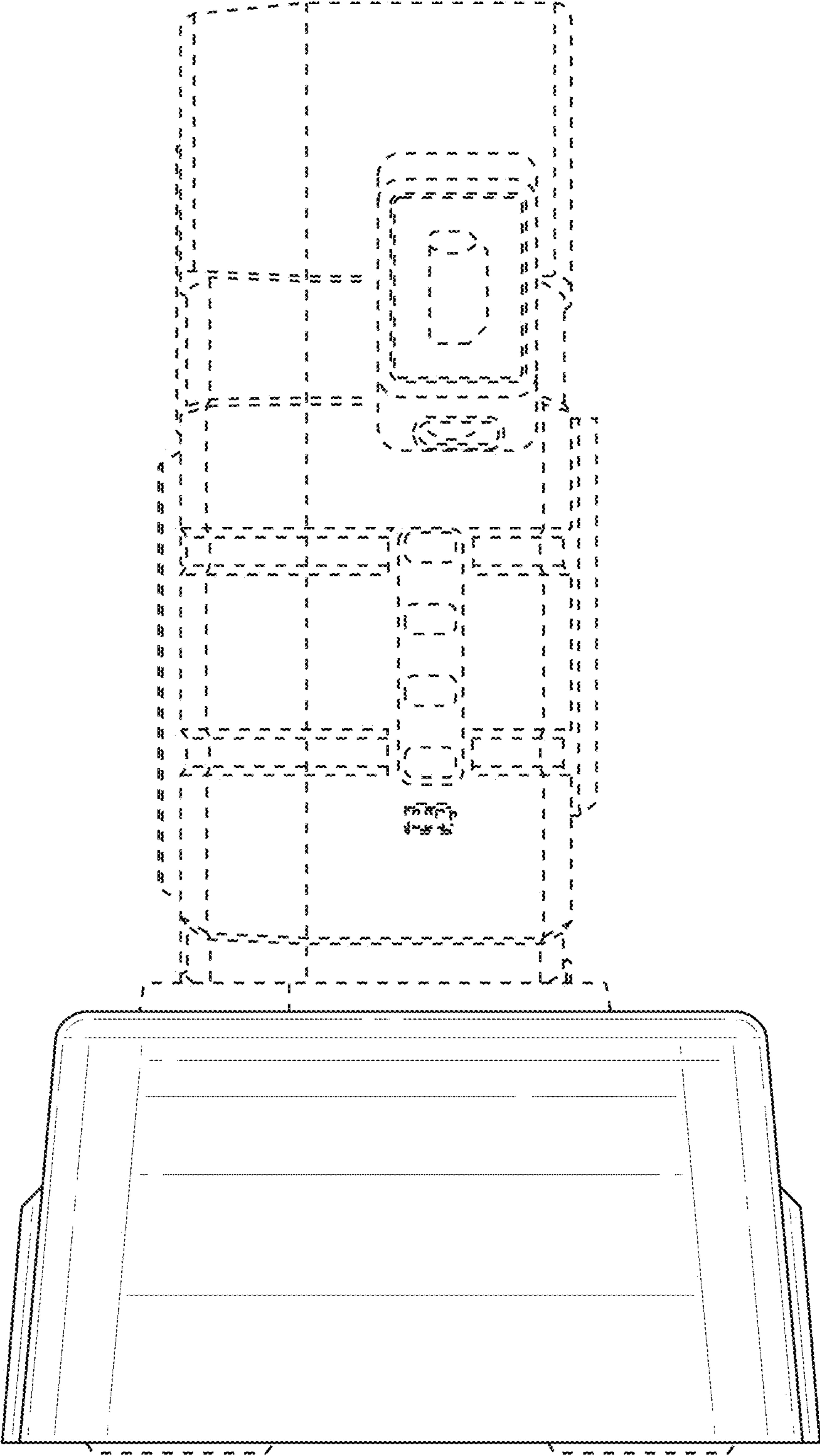


FIG. 5

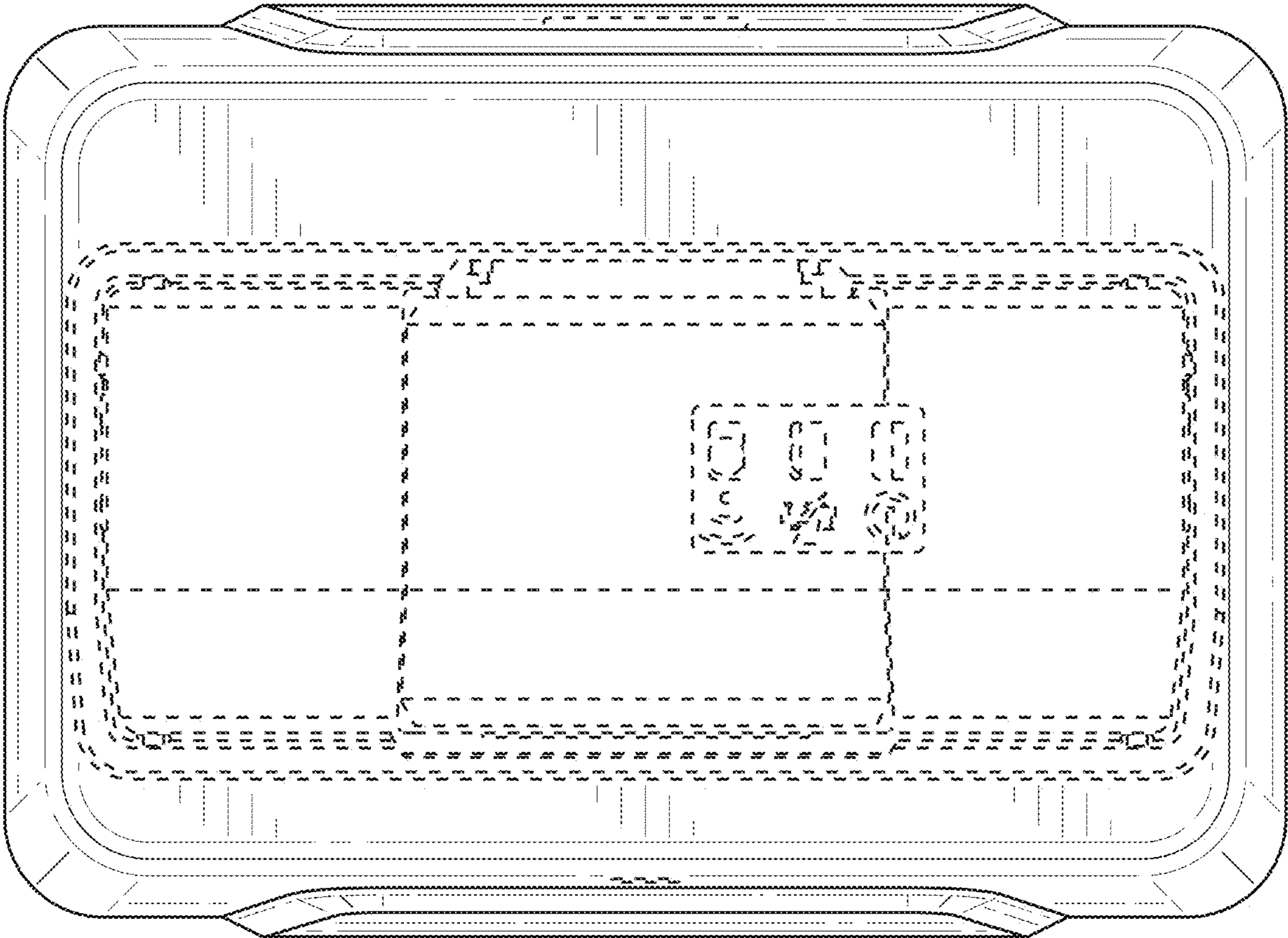


FIG. 6

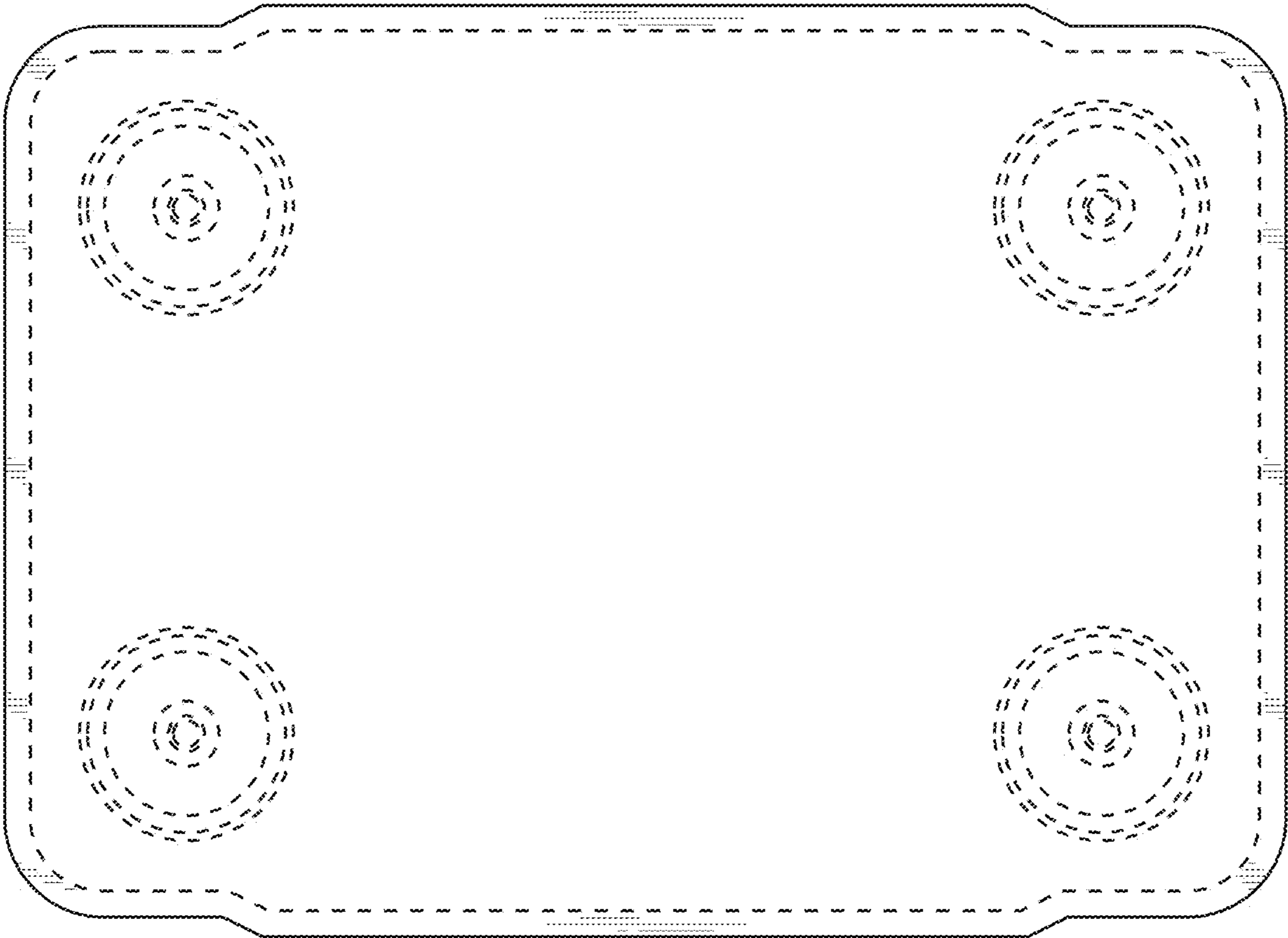


FIG. 7

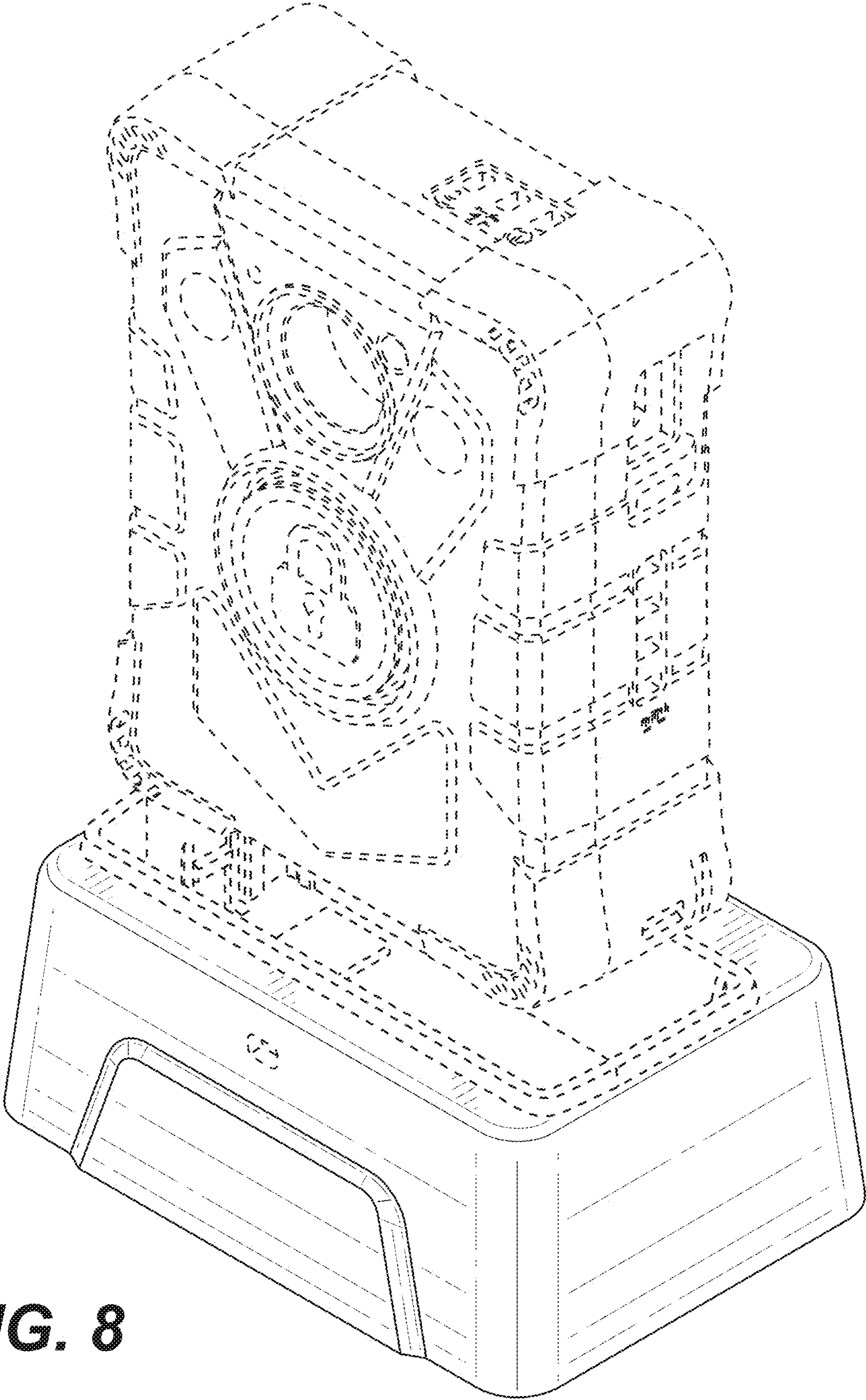


FIG. 8

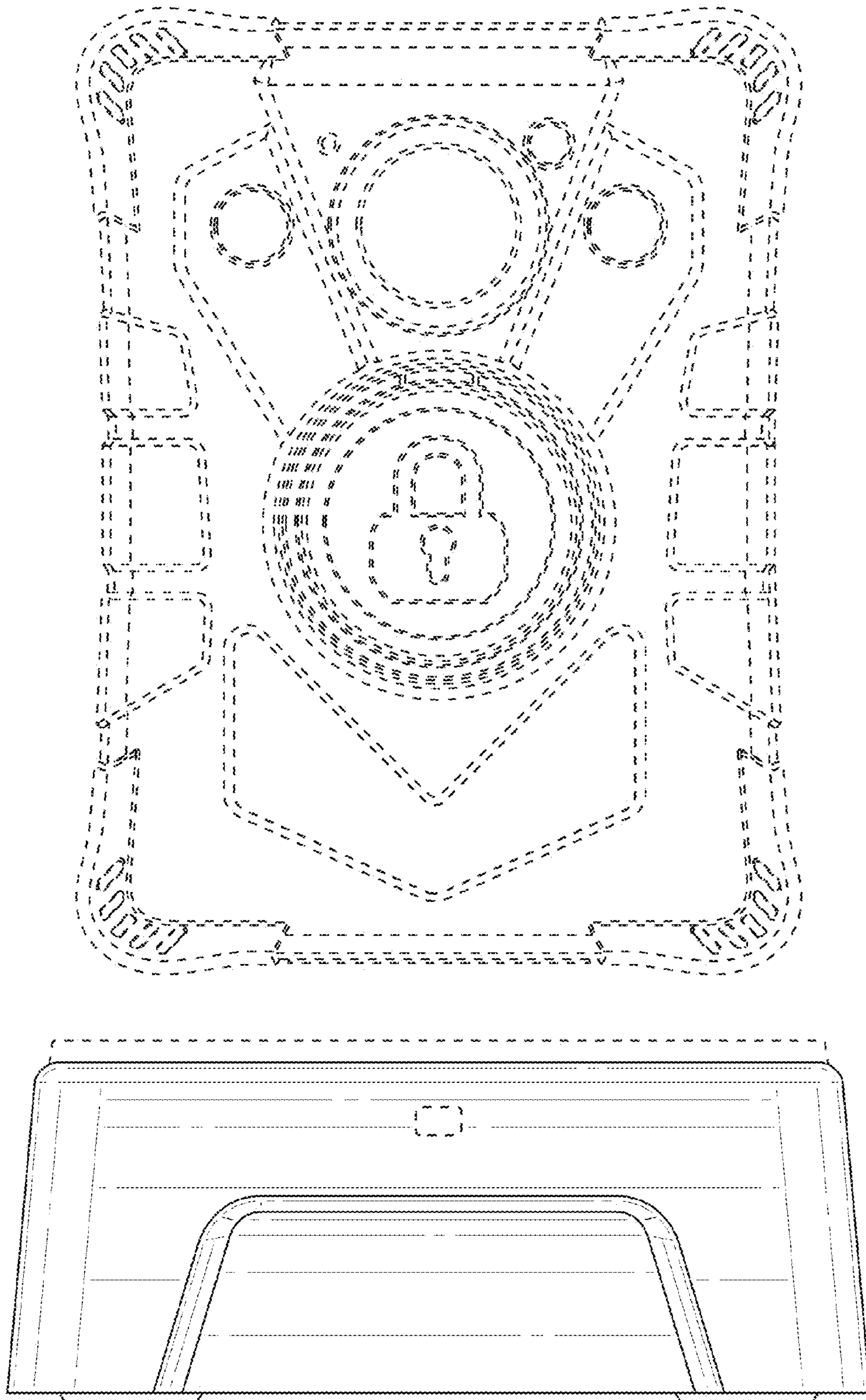


FIG. 9

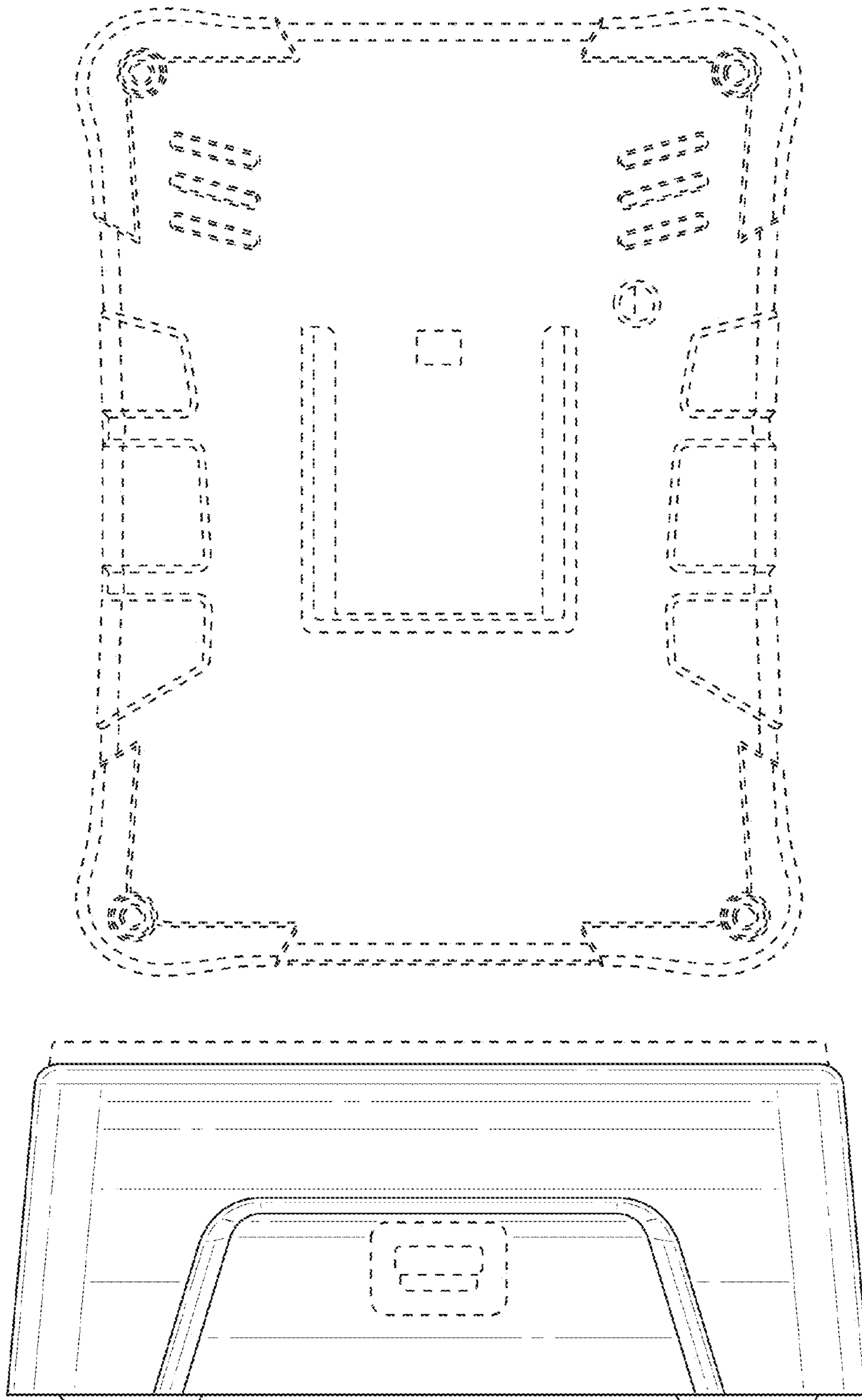


FIG. 10

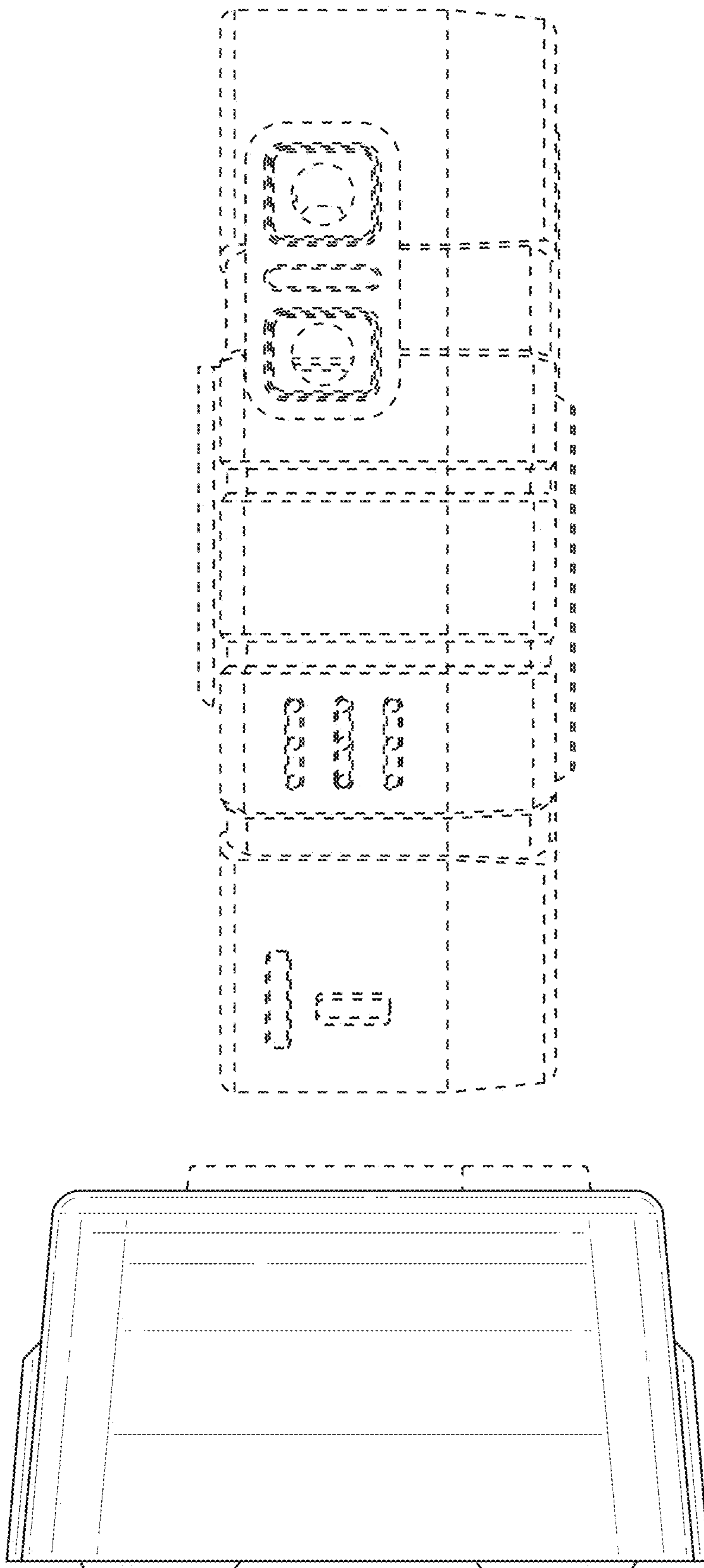


FIG. 11

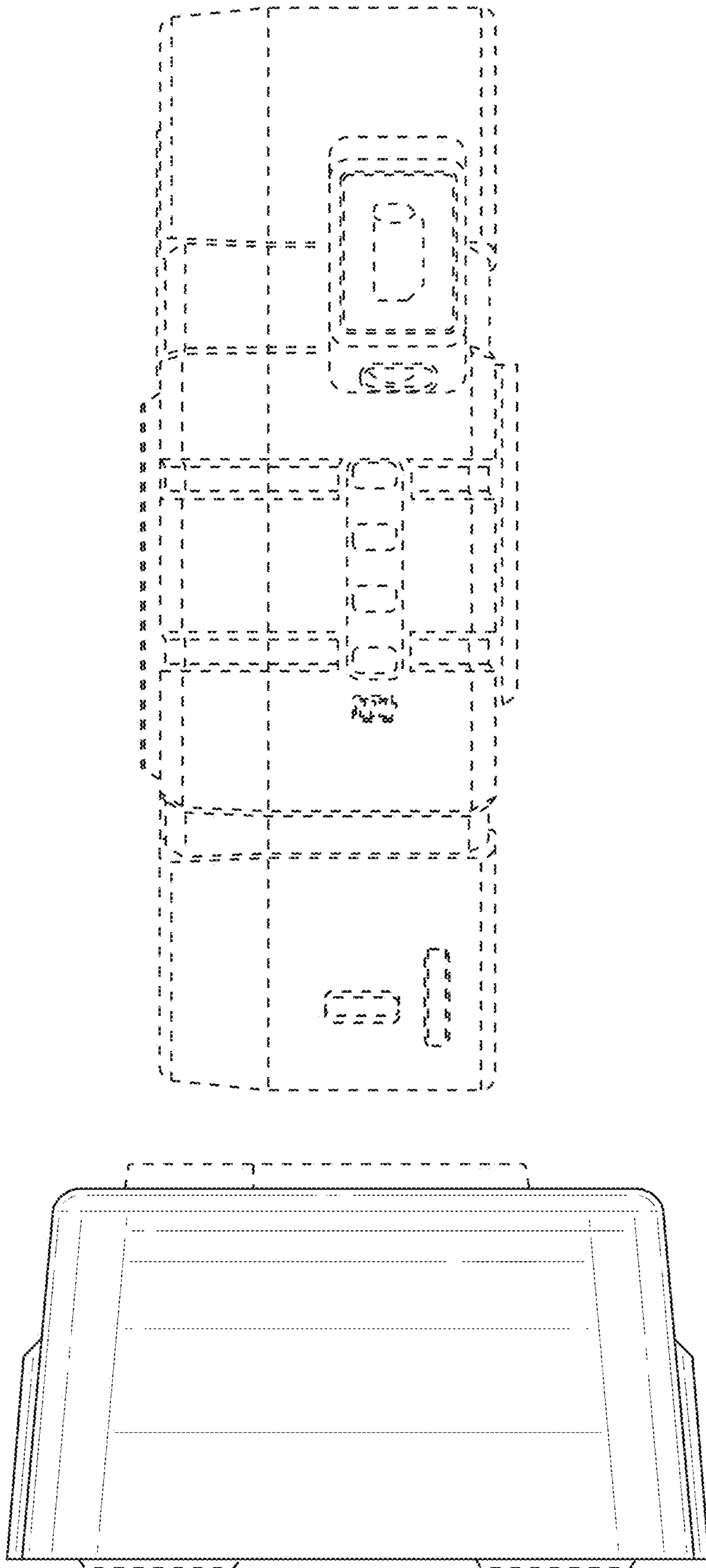


FIG. 12

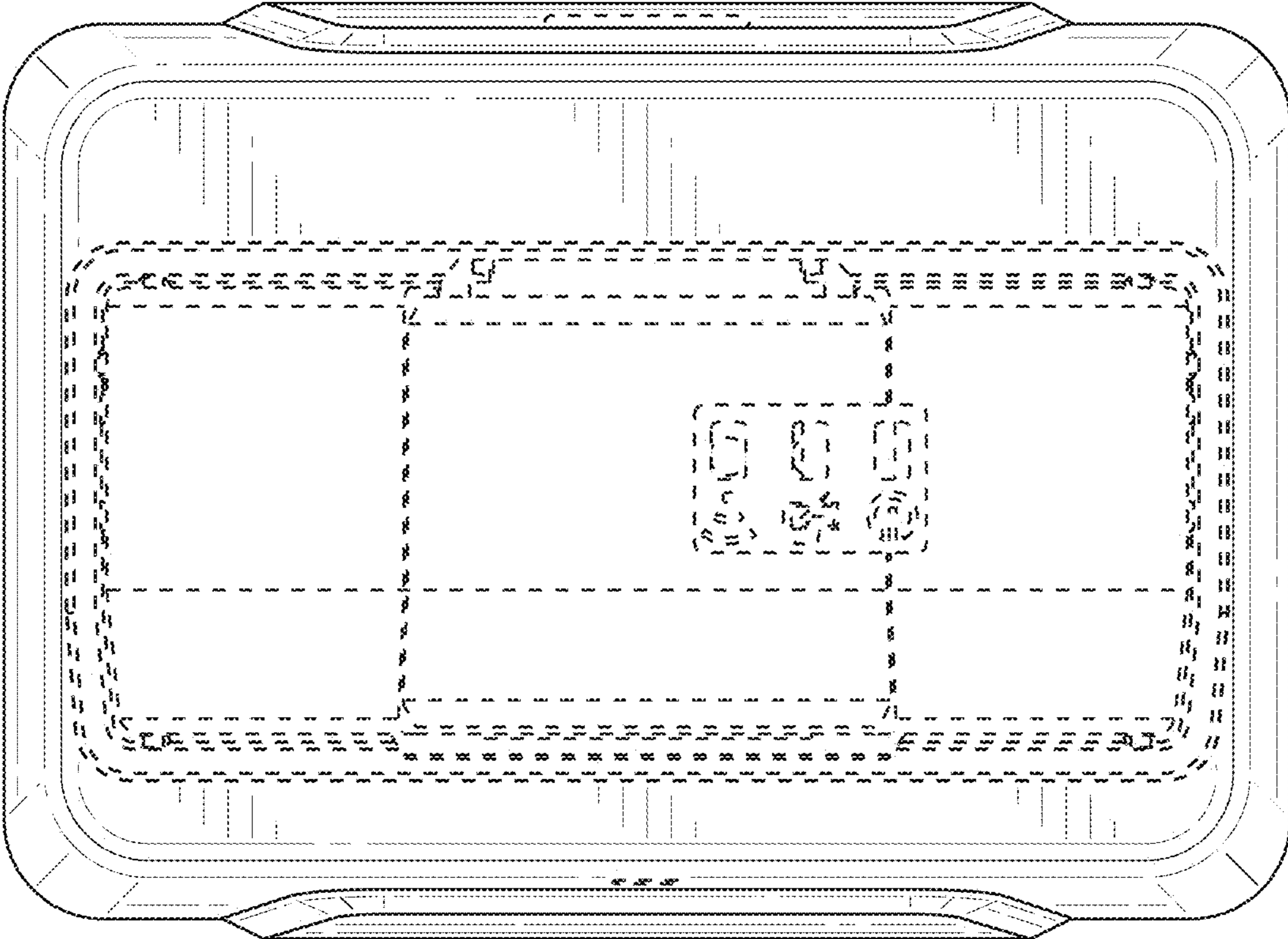


FIG. 13

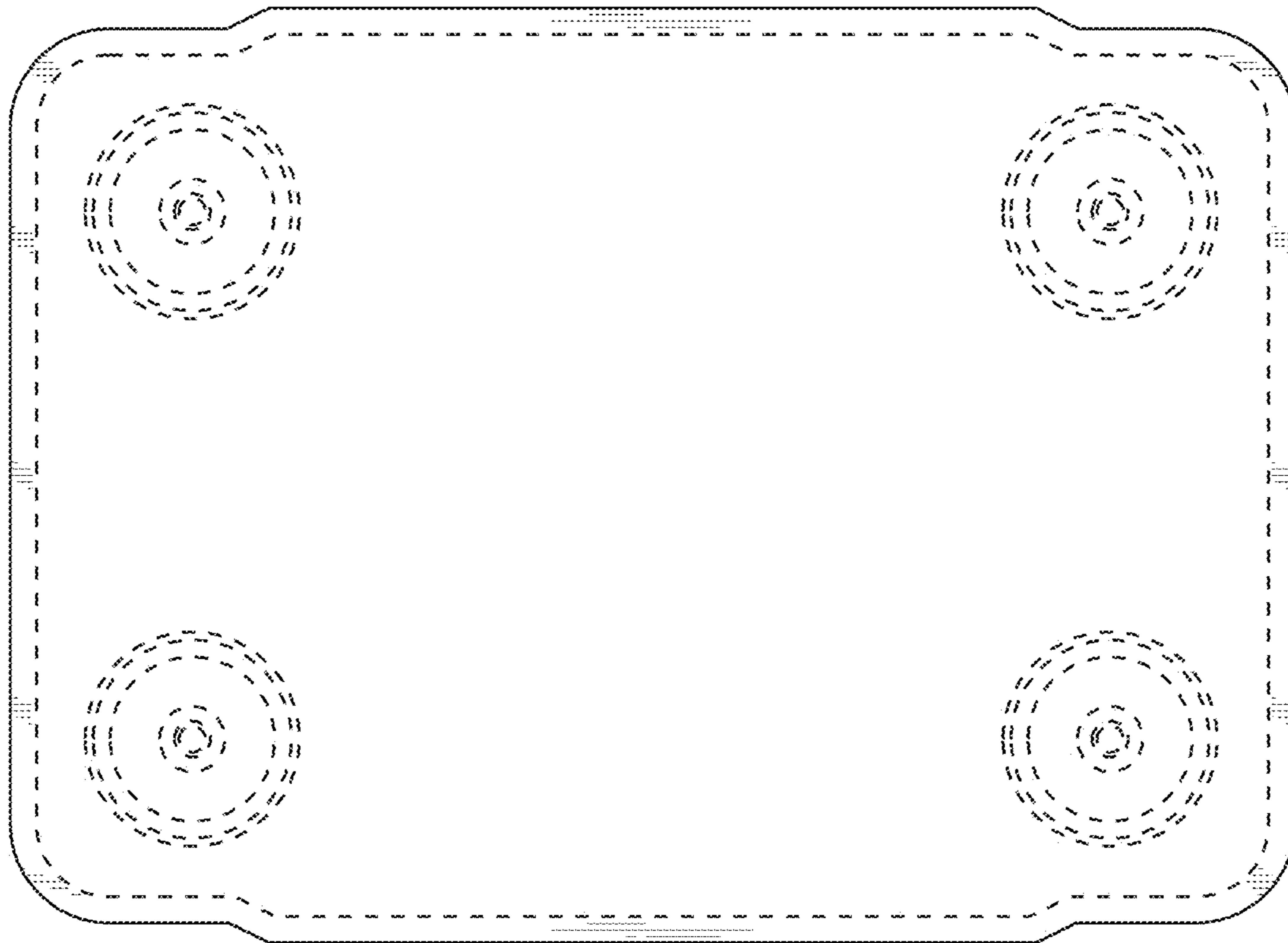


FIG. 14