



US00D911149S

(12) **United States Design Patent** (10) **Patent No.:** **US D911,149 S**
Kovacs (45) **Date of Patent:** **** Feb. 23, 2021**

(54) **CHANNEL CONNECTOR**
(71) Applicant: **PMC INDUSTRIES, INC.**, Plainville, CT (US)
(72) Inventor: **Tamas Kovacs**, Burlington, CT (US)
(73) Assignee: **PMC INDUSTRIES, INC.**, Plainville, CT (US)
(**) Term: **15 Years**

7,410,299 B2 * 8/2008 Rudy G01L 5/0019 384/8
9,398,805 B2 * 7/2016 Khankal A47B 1/10
D782,105 S * 3/2017 Klus D26/138
D794,245 S * 8/2017 Klus D26/142
D846,157 S * 4/2019 Luvison D25/123
10,436,254 B1 * 10/2019 Lin F16C 29/0647
10,508,691 B1 * 12/2019 Chang H01H 35/00
D878,903 S * 3/2020 Roskamp D8/349
D888,538 S * 6/2020 Chrispell D8/349
2007/0237435 A1 * 10/2007 Nagao F16C 29/043 384/44

(21) Appl. No.: **29/714,537**
(22) Filed: **Nov. 24, 2019**
(51) **LOC (13) Cl.** **08-08**
(52) **U.S. Cl.**
USPC **D8/349**
(58) **Field of Classification Search**
USPC D6/300, 301, 320, 323, 325, 326, 328, D6/576, 577, 579, 580; D8/349, 354, D8/355, 363, 373-377; D12/317, 400, D12/415, 416; D13/107-110, 154, 133, D13/129, 199
CPC .. F16C 2314/72; F16C 29/0623; F16C 29/06; F16C 29/0609; F16C 29/005; F16C 29/008; F16C 29/04; F16C 29/0657; F16C 29/004; F16C 29/12; A47B 1/10; A47B 88/493; A47B 88/423; A47B 2088/4235
See application file for complete search history.

* cited by examiner

Primary Examiner — Mark A Goodwin
Assistant Examiner — Benjamin M Weeks
(74) *Attorney, Agent, or Firm* — Damian Wasserbauer, Esq.; Wasserbauer Law LLC

(56) **References Cited**
U.S. PATENT DOCUMENTS
2,294,855 A * 9/1942 Thomason E01F 1/00 248/544
2,836,469 A * 5/1958 Yorinks A47B 88/493 384/19

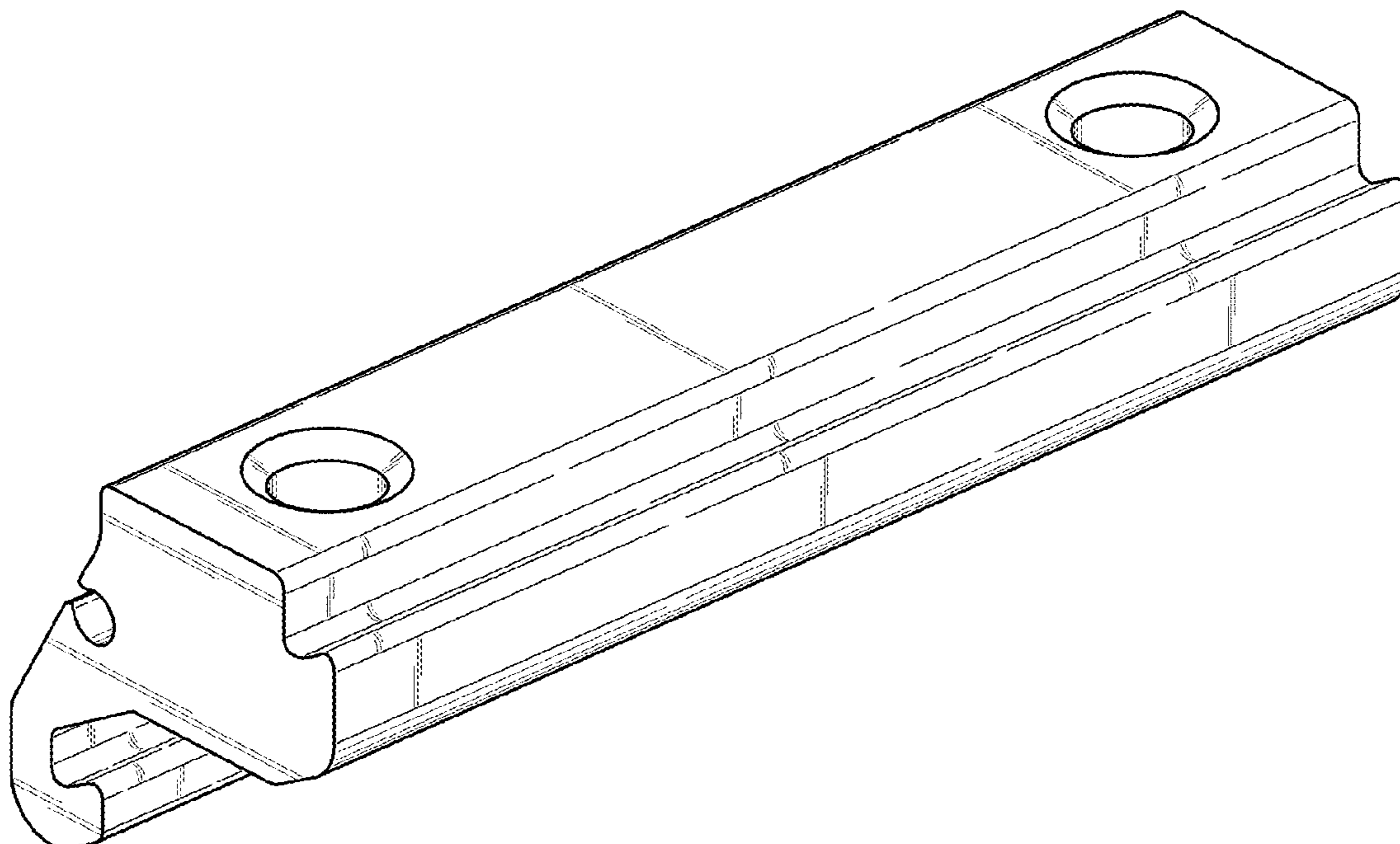
(57) **CLAIM**

The ornamental design for a channel connector, as shown and described.

DESCRIPTION

FIG. 1 is a perspective view of a channel connector in accordance with the present invention;
FIG. 2 is a front view of the channel connector thereof;
FIG. 3 is a back view of the channel connector thereof;
FIG. 4 is a left side view of the channel connector thereof;
FIG. 5 is a right side view of the channel connector thereof;
FIG. 6 is a top view of the channel connector thereof; and,
FIG. 7 is a bottom view of the channel connector thereof.

1 Claim, 7 Drawing Sheets



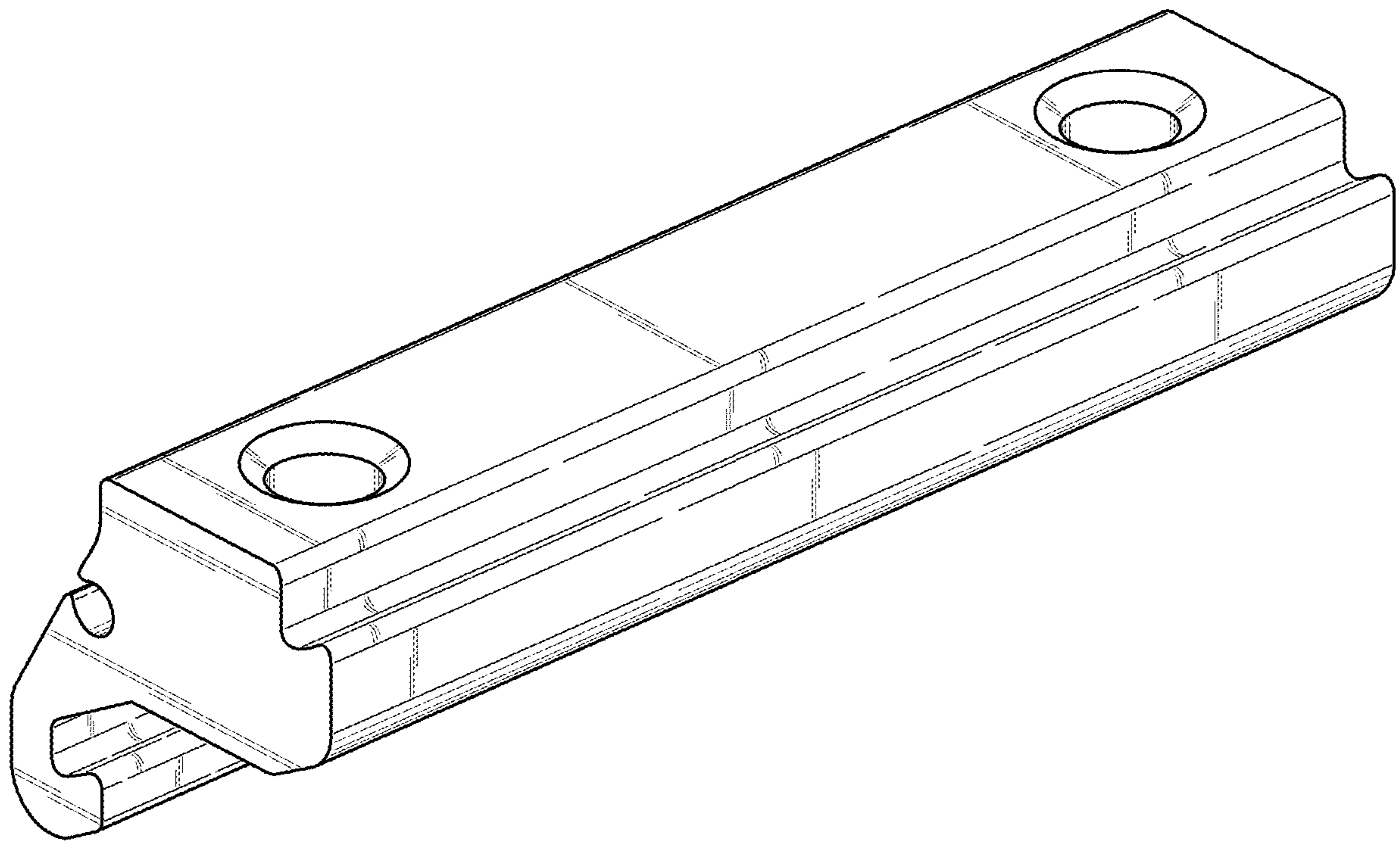


FIG. 1

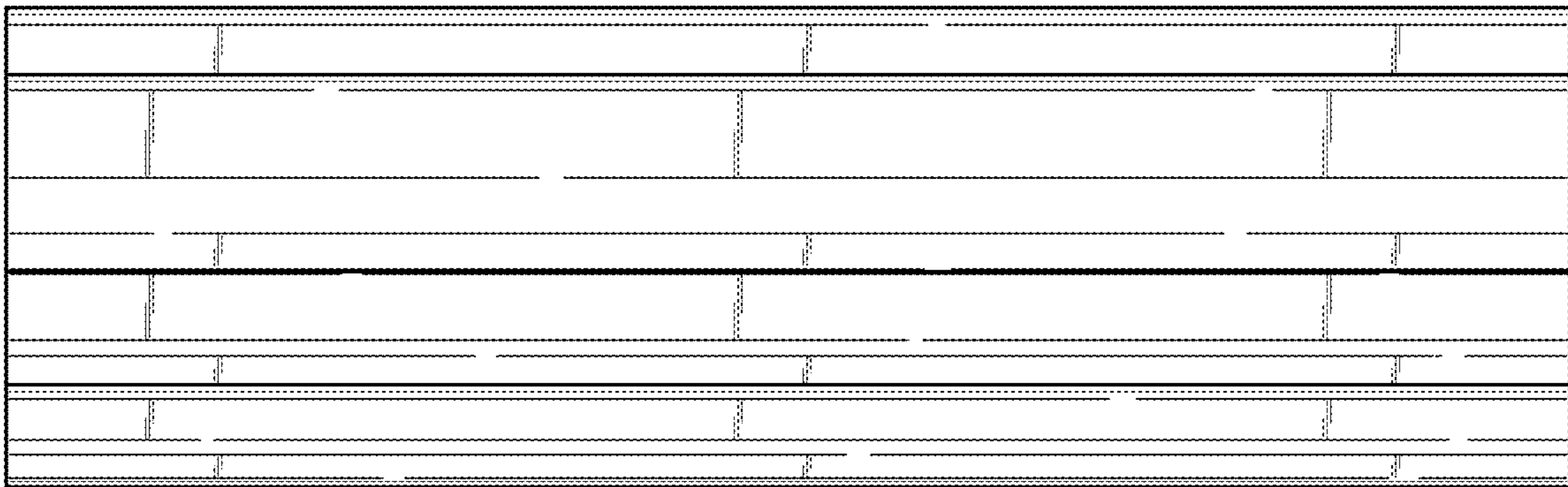


FIG. 2

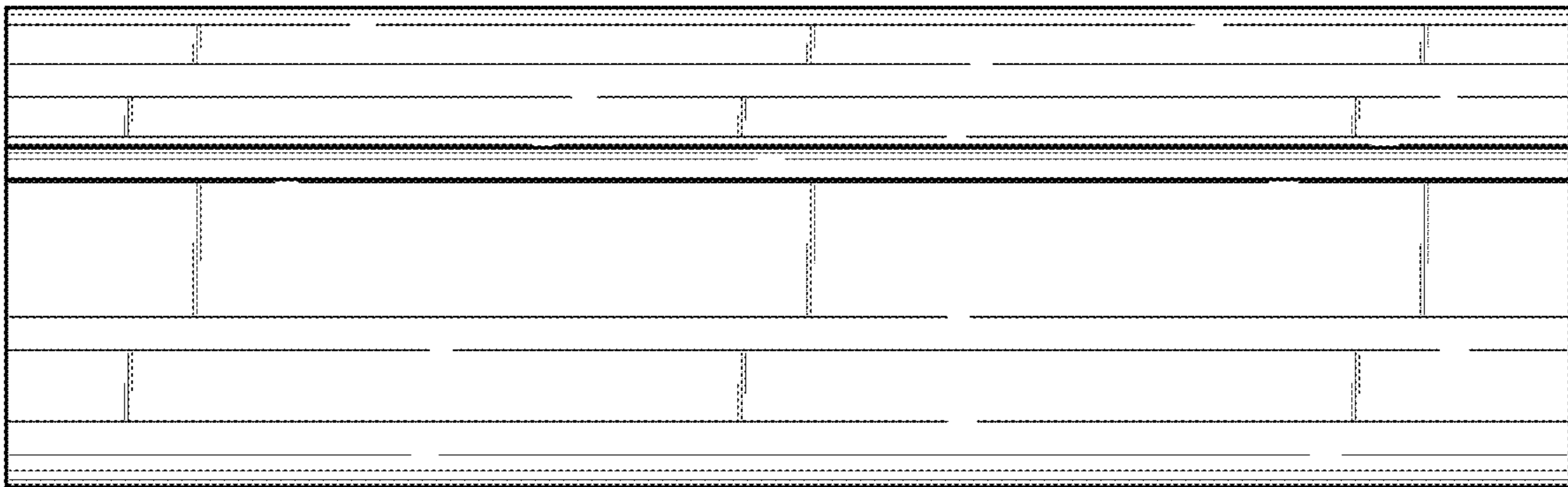


FIG. 3

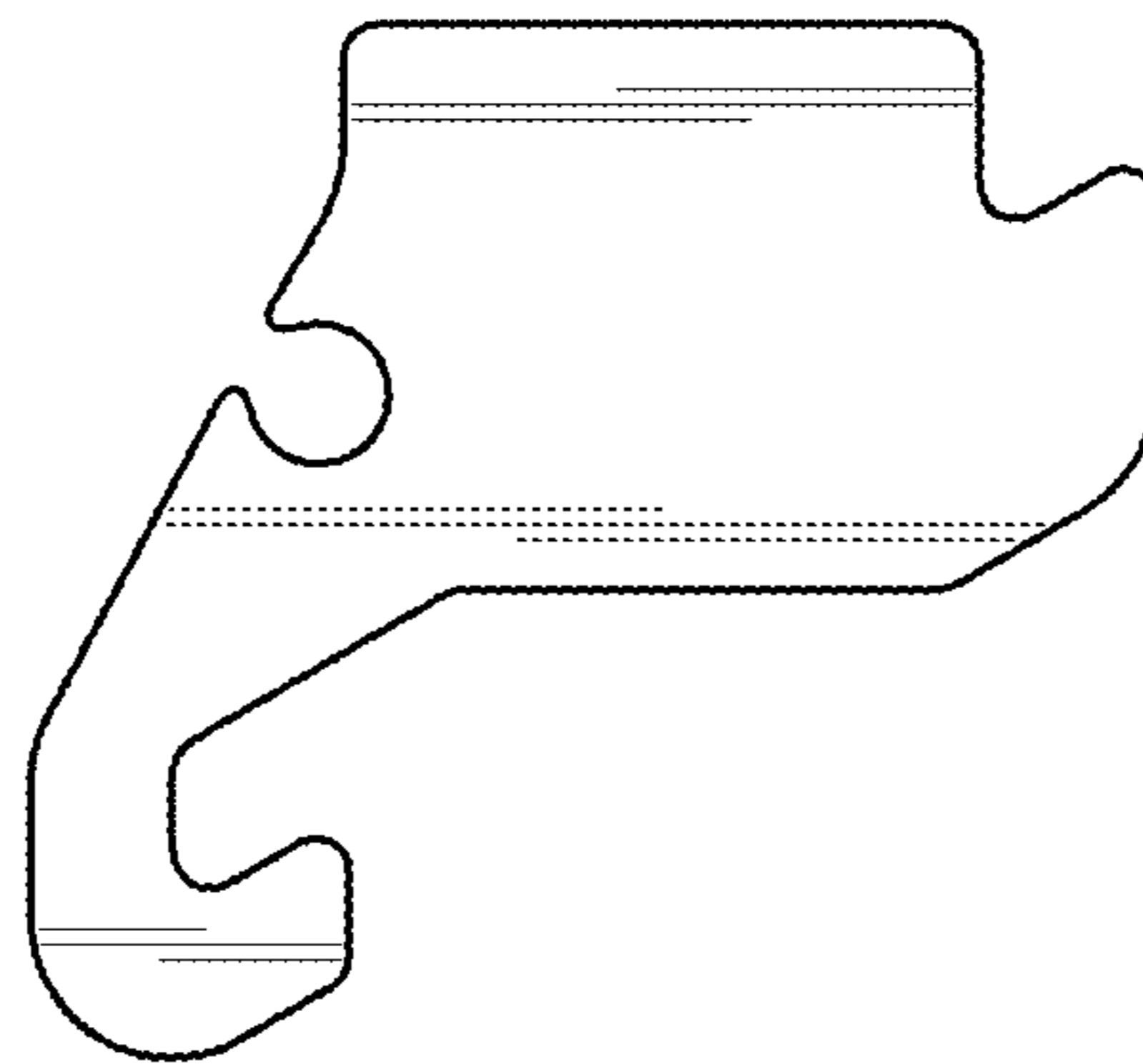


FIG. 4

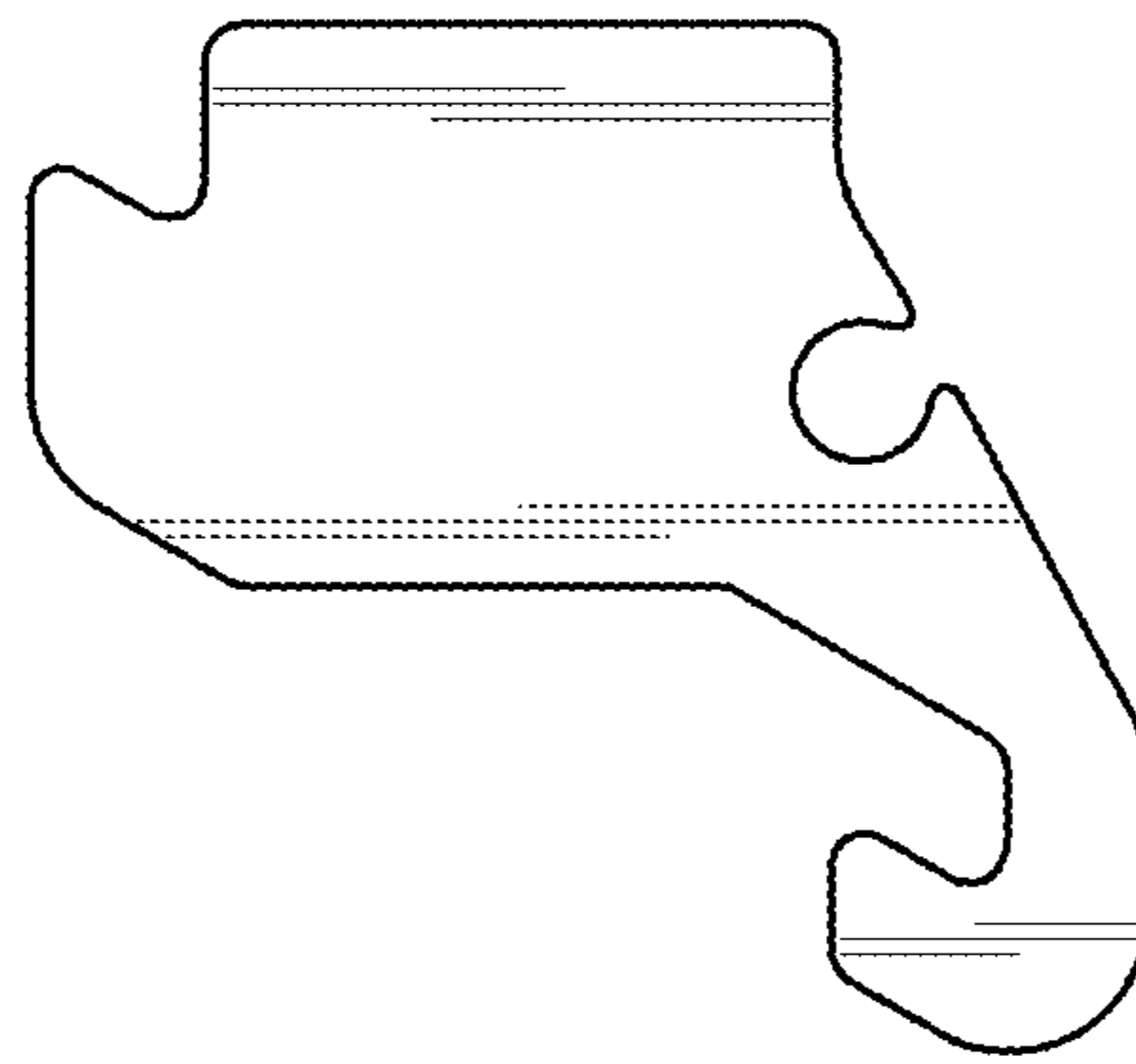


FIG. 5

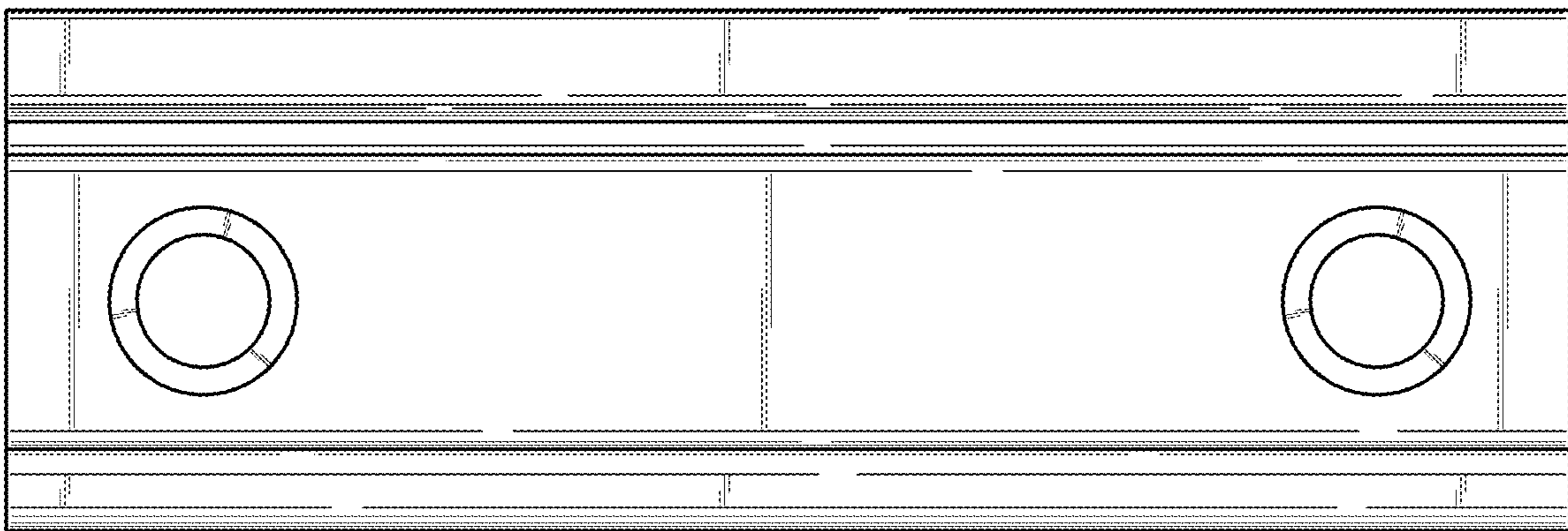


FIG. 6

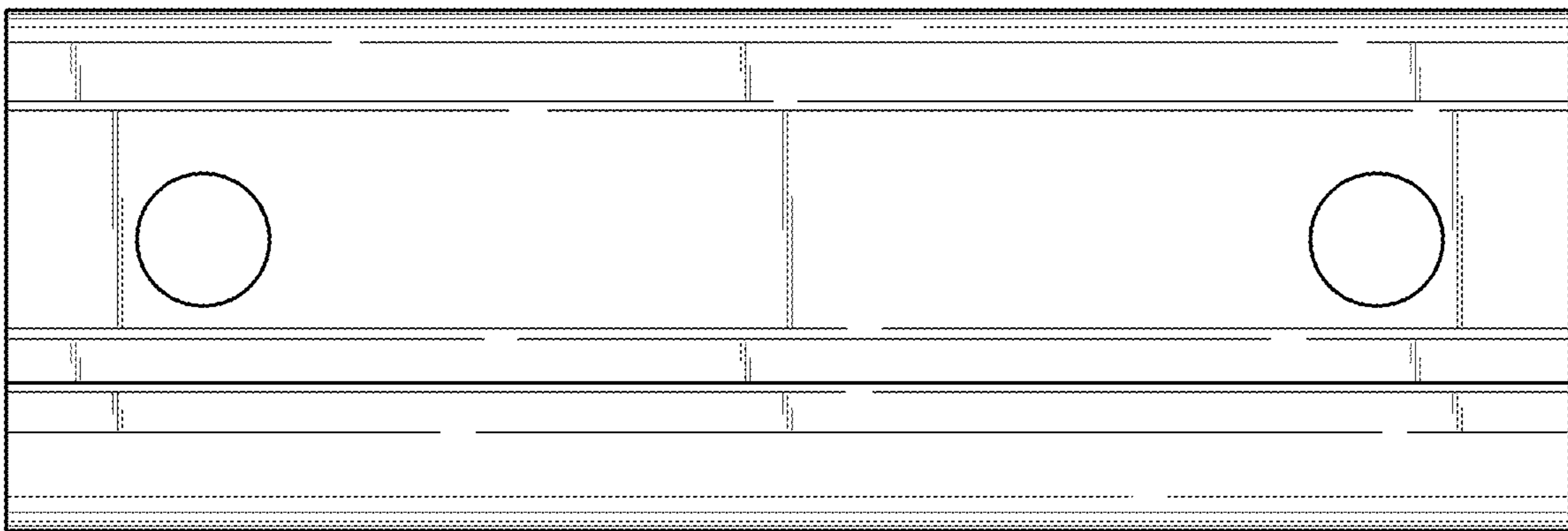


FIG. 7