



US00D911148S

(12) **United States Design Patent**  
**Yi et al.**

(10) **Patent No.:** **US D911,148 S**  
(45) **Date of Patent:** **\*\* Feb. 23, 2021**

(54) **ELECTRONIC LOCK SET**

(71) Applicant: **Shenzhen Fingerchip Intelligent Technology Co., Ltd.**, Shenzhen (CN)

(72) Inventors: **Haiping Yi**, Shenzhen (CN); **Jun Yu**, Shenzhen (CN)

(73) Assignee: **SHENZHEN FINGERCHIP INTELLIGENT TECH. CO., LTD.**, Shenzhen (CN)

(\*\*) Term: **15 Years**

(21) Appl. No.: **29/694,543**

(22) Filed: **Jun. 11, 2019**

(30) **Foreign Application Priority Data**

Mar. 13, 2019 (CN) ..... 201930102153

(51) **LOC (13) Cl.** ..... **08-07**

(52) **U.S. Cl.**  
USPC ..... **D8/330; D8/331**

(58) **Field of Classification Search**  
USPC ..... **D8/330-334, 336-350; 292/341, 341.1, 292/340, 344, 343, 18**

(Continued)

(56) **References Cited**

**U.S. PATENT DOCUMENTS**

D422,893 S \* 4/2000 Heredos-Formby ..... D8/339  
D594,311 S \* 6/2009 Stevens ..... D8/331

(Continued)

**FOREIGN PATENT DOCUMENTS**

CN 304052904 \* 9/2016  
CN 304824716 \* 11/2017

(Continued)

**OTHER PUBLICATIONS**

DATOhonne store, Smart Door Lock, Keyless Fingerprint and Touchscreen Digital Door Lock, Date first available Mar. 17, 2020,

[online]retrieved Oct. 28, 2020, available from internet, [https://www.amazon.com/L-B400-Fingerprint-Touchscreen-Bluetooth-Apartmmments/dp/B0851PS1FY/ref=pd\\_di\\_sccai\\_36](https://www.amazon.com/L-B400-Fingerprint-Touchscreen-Bluetooth-Apartmmments/dp/B0851PS1FY/ref=pd_di_sccai_36) (Year: 2020).\*

(Continued)

*Primary Examiner* — Keli L Hill

*Assistant Examiner* — Sara S Sahneh

(74) *Attorney, Agent, or Firm* — Loza & Loza, LLP; Michael F. Fedrick

(57) **CLAIM**

The ornamental design for an electronic lock set, as shown and described.

**DESCRIPTION**

FIG. 1 is a first perspective view of a first portion of an electronic lock set;

FIG. 2 is a second perspective view thereof;

FIG. 3 is a front view thereof;

FIG. 4 is a rear view thereof;

FIG. 5 is a left side view thereof;

FIG. 6 is a right side view thereof;

FIG. 7 is a top view thereof;

FIG. 8 is a bottom view thereof;

FIG. 9 is a first perspective view of a second portion of the electronic lock set;

FIG. 10 is a second perspective view thereof;

FIG. 11 is a front view thereof;

FIG. 12 is a rear view thereof;

FIG. 13 is a left side view thereof;

FIG. 14 is a right side view thereof;

FIG. 15 is a top view thereof;

FIG. 16 is a bottom view thereof;

FIG. 17 is an assembled perspective view of the electronic lock set;

FIG. 18 is a top view thereof;

FIG. 19 is a bottom view thereof;

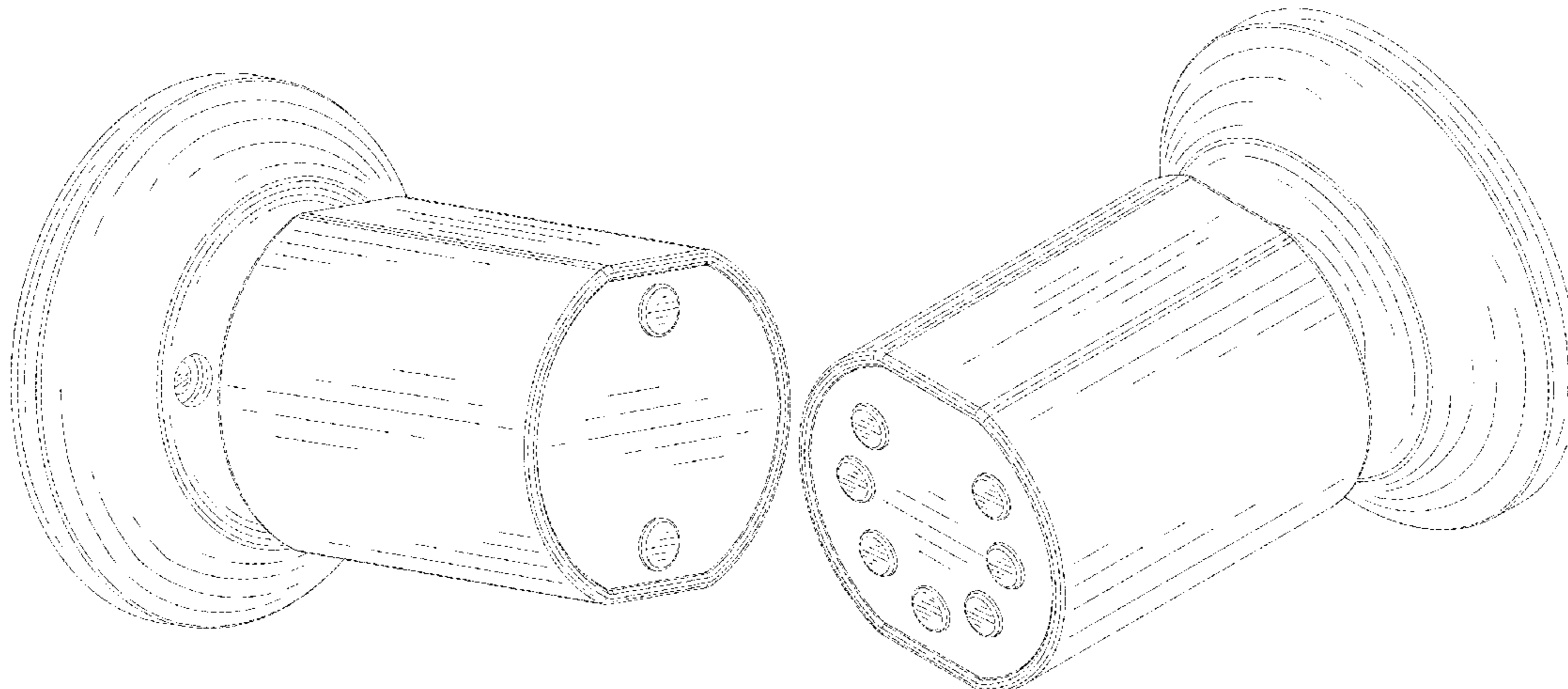
FIG. 20 is a left side view thereof;

FIG. 21 is a right side view thereof;

FIG. 22 is a front view thereof; and,

FIG. 23 is a rear view thereof.

(Continued)



The broken lines in the figures depict portions of the electronic lock set that form no part of the claimed design.

**1 Claim, 23 Drawing Sheets**

**(58) Field of Classification Search**

CPC ..... G07C 9/00571; G07C 9/00674; G07C 9/00309; H05K 1/144; E05B 5/00; E05B 15/00; E05B 9/00; E05B 63/04; E05B 15/101; E05B 1/003; E05B 5/0811; E05B 65/0811; E05B 17/18; E05B 83/00; Y10T 292/0848; Y10T 70/5199; Y10T 292/0803; Y10T 292/68; Y10T 292/53; Y10T 16/458; H04N 7/186; H04N 7/147; H04N 5/232411

See application file for complete search history.

**(56) References Cited**

U.S. PATENT DOCUMENTS

D709,754 S \* 7/2014 Lylyk ..... D8/331  
 D766,121 S \* 9/2016 Scalisi ..... D10/118.2  
 9,528,296 B1 \* 12/2016 Cheng ..... G07C 9/22  
 D781,680 S \* 3/2017 Lylyk ..... D8/331  
 D793,205 S \* 8/2017 Ho ..... D8/330  
 D809,895 S \* 2/2018 Frantz ..... F16B 41/005  
 D8/330  
 D820,662 S \* 6/2018 Kuchler ..... D8/333  
 D830,811 S \* 10/2018 Frantz ..... D8/330

D876,924 S \* 3/2020 Xie ..... D8/331  
 2016/0047145 A1 \* 2/2016 Johnson ..... E05B 47/0012  
 292/144  
 2016/0050399 A1 \* 2/2016 Chuter ..... H04N 7/186  
 348/155

FOREIGN PATENT DOCUMENTS

CN 305026468 \* 8/2018  
 CN 305051961 \* 10/2018  
 CN 305640099 \* 8/2019  
 CN 305833404 \* 11/2019  
 WO D202561-001 \* 8/2018

OTHER PUBLICATIONS

Signstek, Keyless Digital Electronic Entry Security Safety Door Lock Locker, Date first available Aug. 9 2016, [online]retrieved Oct. 28, 2020, available from internet, [https://www.amazon.ca/dp/B00KS3JC30/ref=sspa\\_dk\\_detail\\_5?psc=1&pd\\_rd\\_i=B00KS3JC30&pd\\_rd\\_w=4eW17&pf\\_rd\\_p=970b3512](https://www.amazon.ca/dp/B00KS3JC30/ref=sspa_dk_detail_5?psc=1&pd_rd_i=B00KS3JC30&pd_rd_w=4eW17&pf_rd_p=970b3512)—(Year: 2016).  
 August Home Store, Smart Lock Pro (3rd Gen) + Connect Hub—Zwave, HomeKit & Alexa Compatible—Silver, Date first available Sep. 19, 2017, [online]retrieved Oct. 28, 2020, available from internet, <https://www.amazon.com/August-Smart-Lock-Connect-technology/dp/B0> (Year: 2017).  
 Boquite Fingerprint Lock, Smart Semiconductor DiElectronic Touch Fingerprint Lock for Door Security Cabin, Date first available Feb. 20 2020, [online]retrieved Oct. 28, 2020, available from internet, [https://www.amazon.ca/dp/B084ZMNWQZ/ref=sspa\\_dk\\_detail\\_1?psc=1&pd\\_rd\\_i=B084ZMNWQZ&pd\\_](https://www.amazon.ca/dp/B084ZMNWQZ/ref=sspa_dk_detail_1?psc=1&pd_rd_i=B084ZMNWQZ&pd_)(Year: 2020).  
 \* cited by examiner

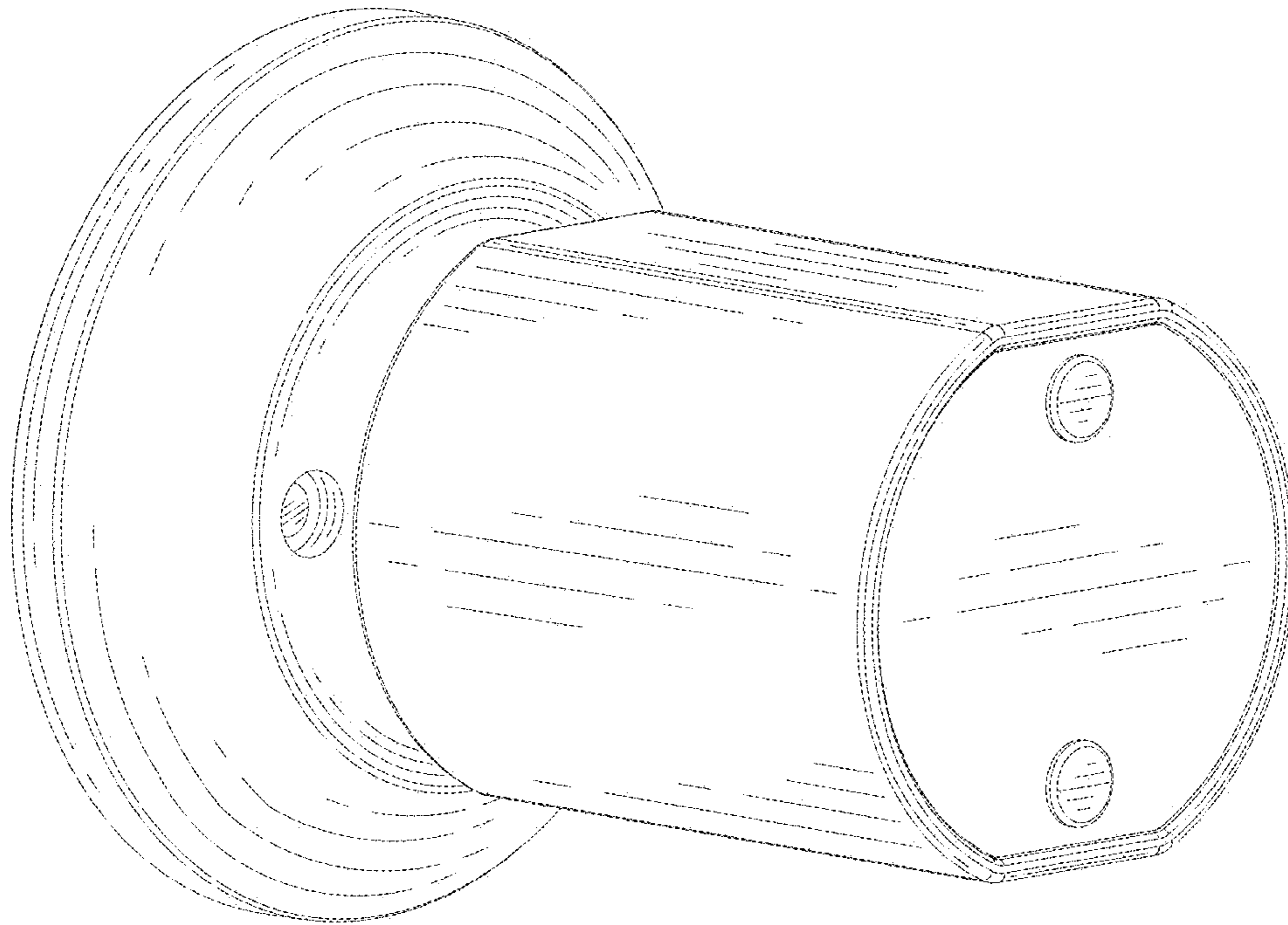


FIG.1

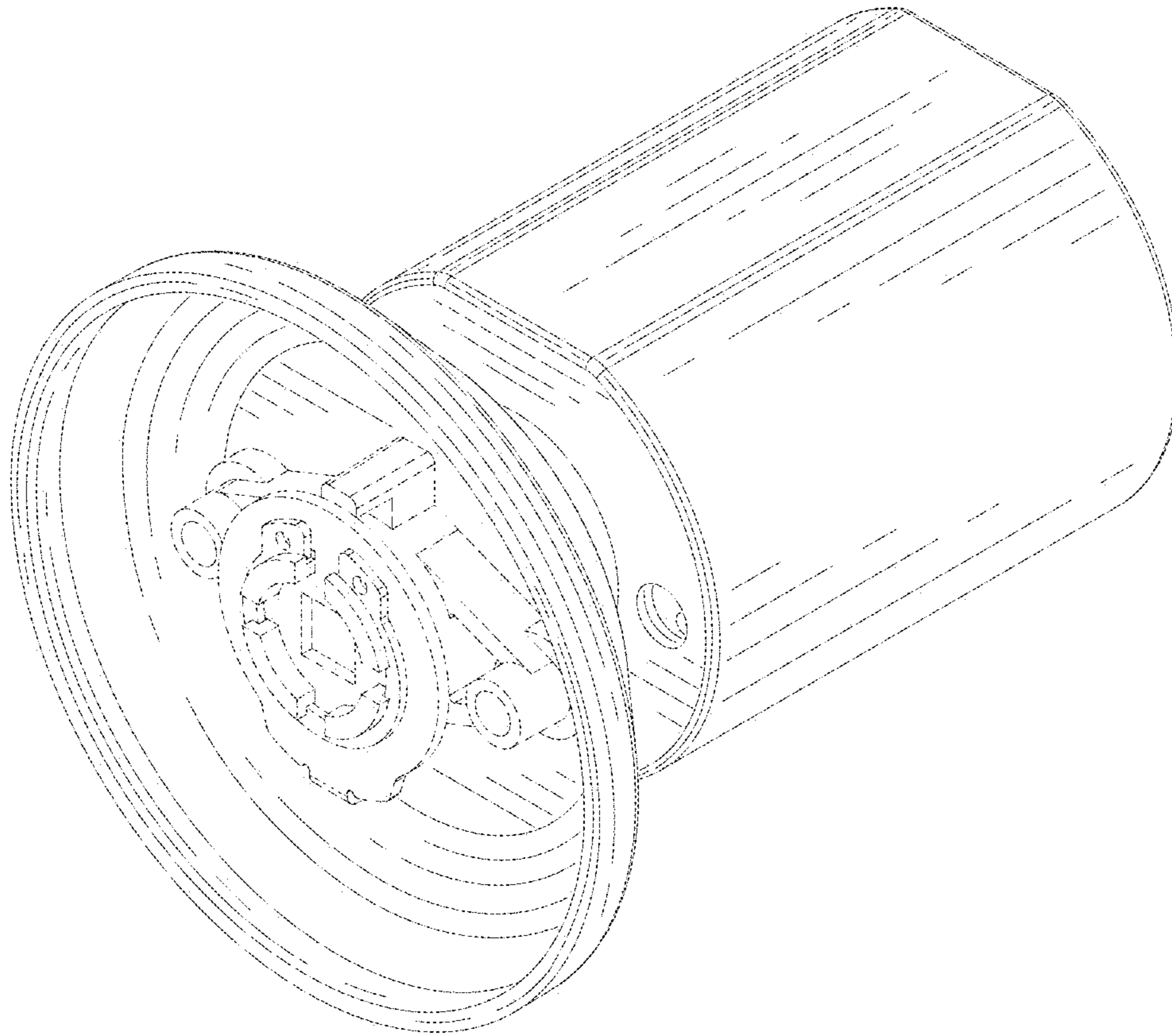


FIG. 2

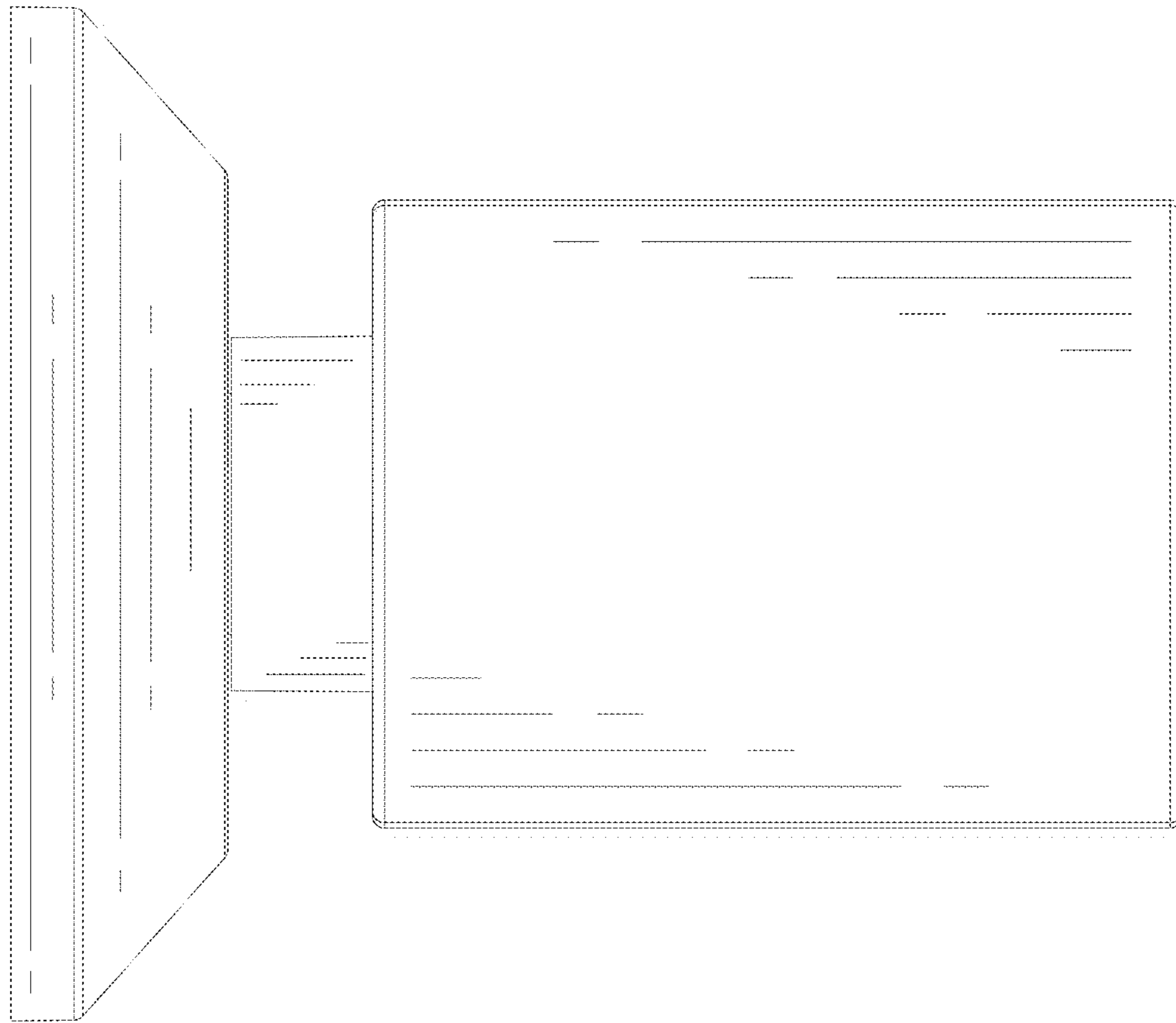


FIG.3

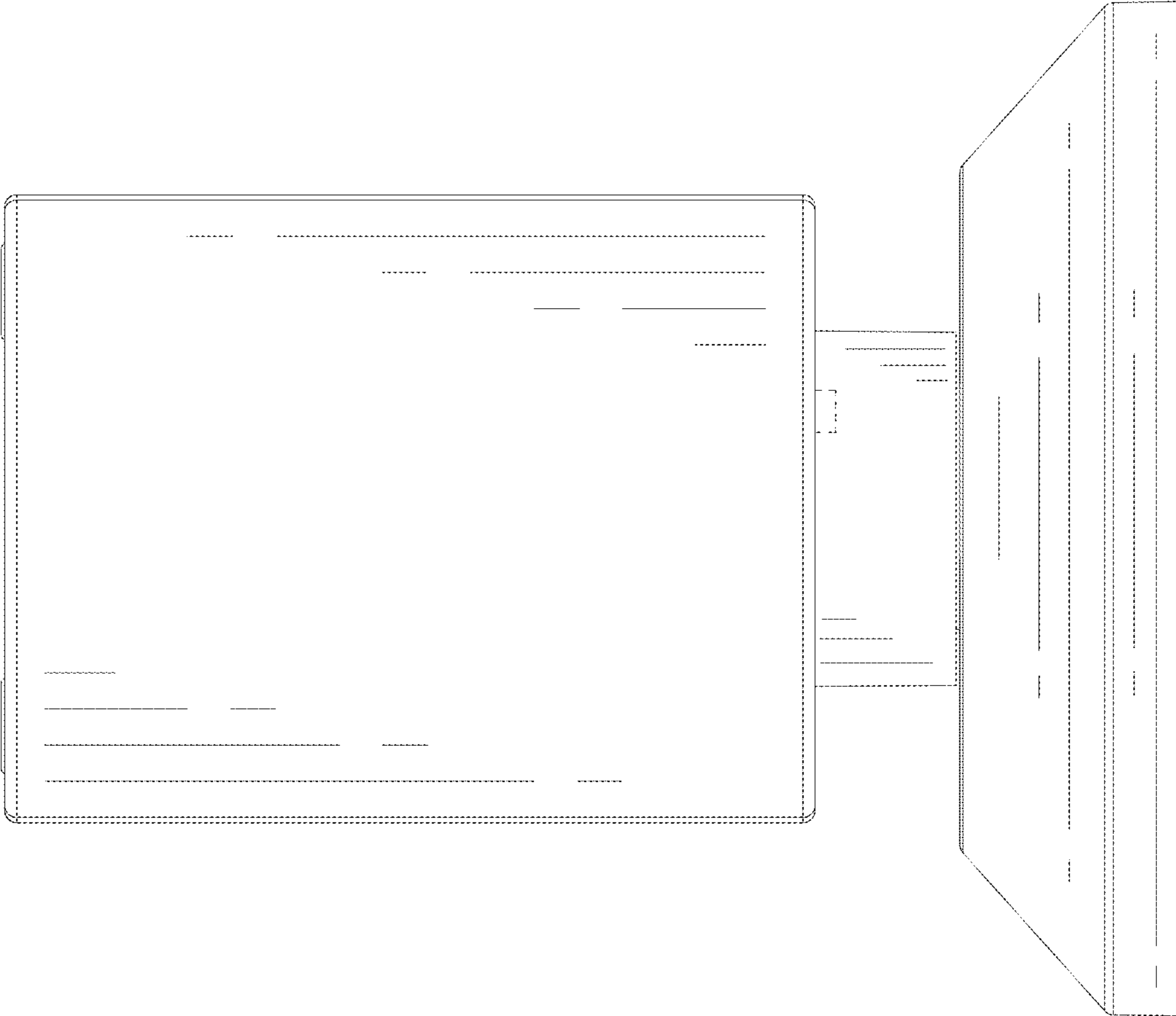


FIG. 4

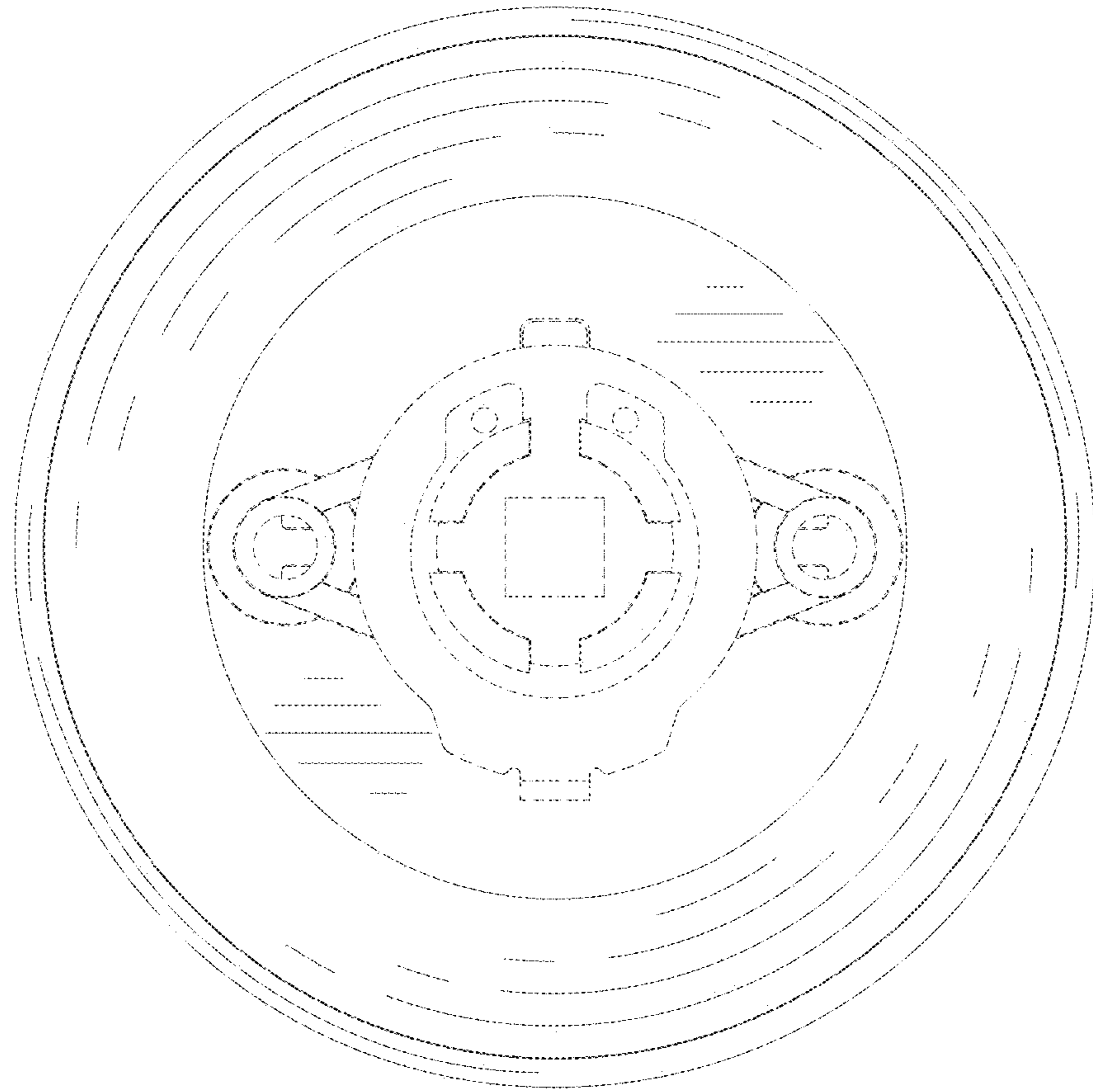


FIG. 5

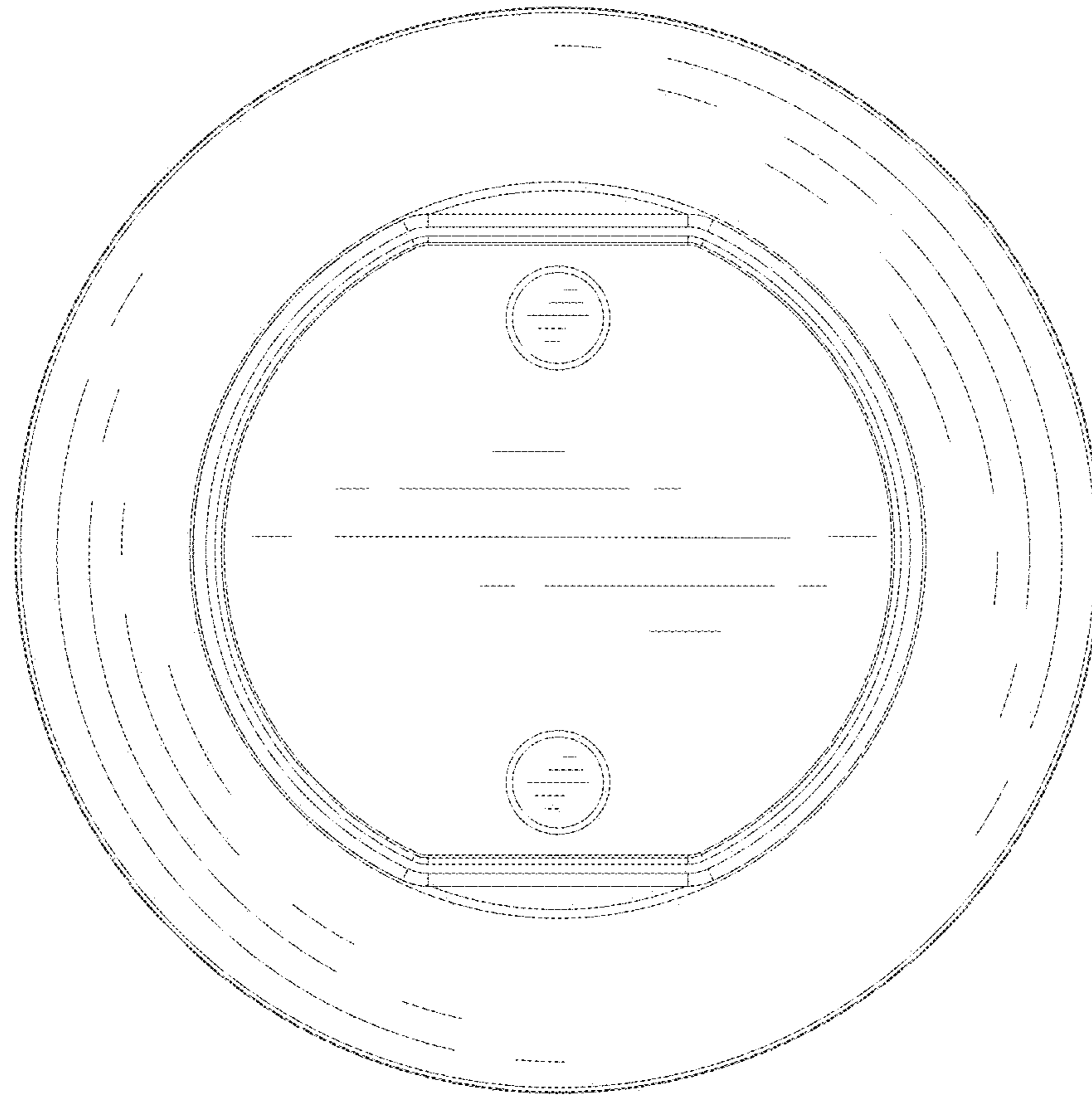


FIG. 6



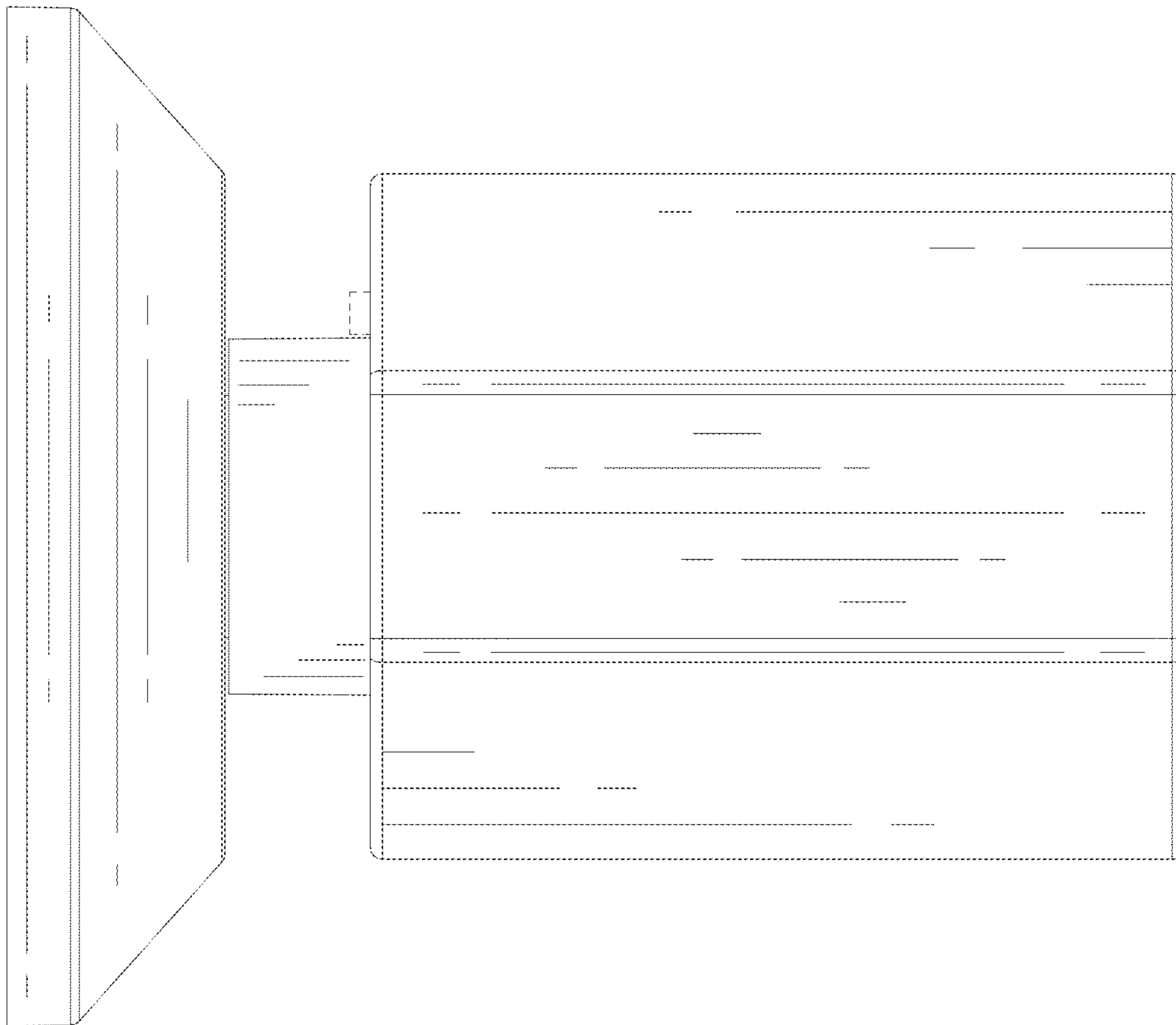


FIG. 7

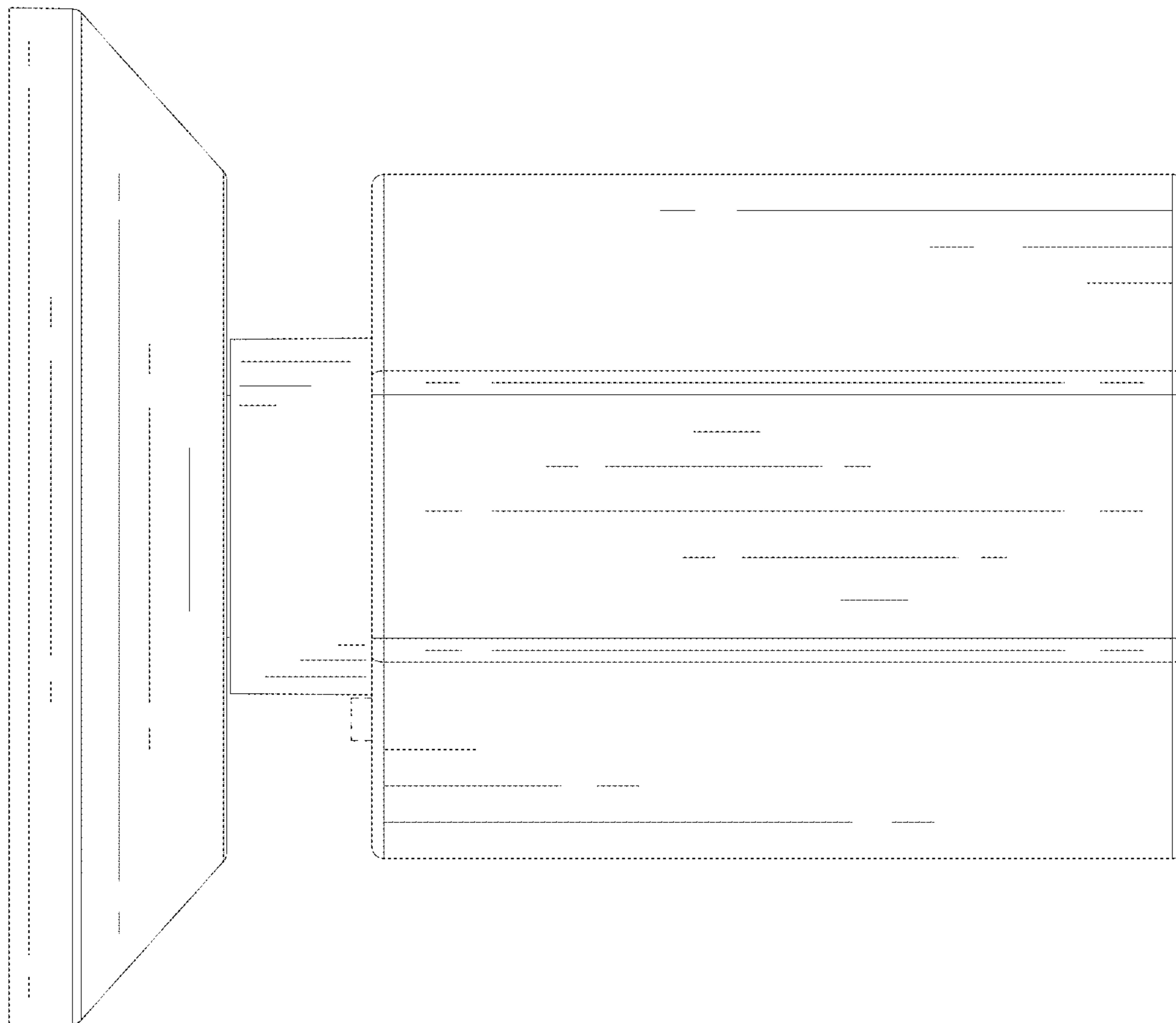


FIG. 8

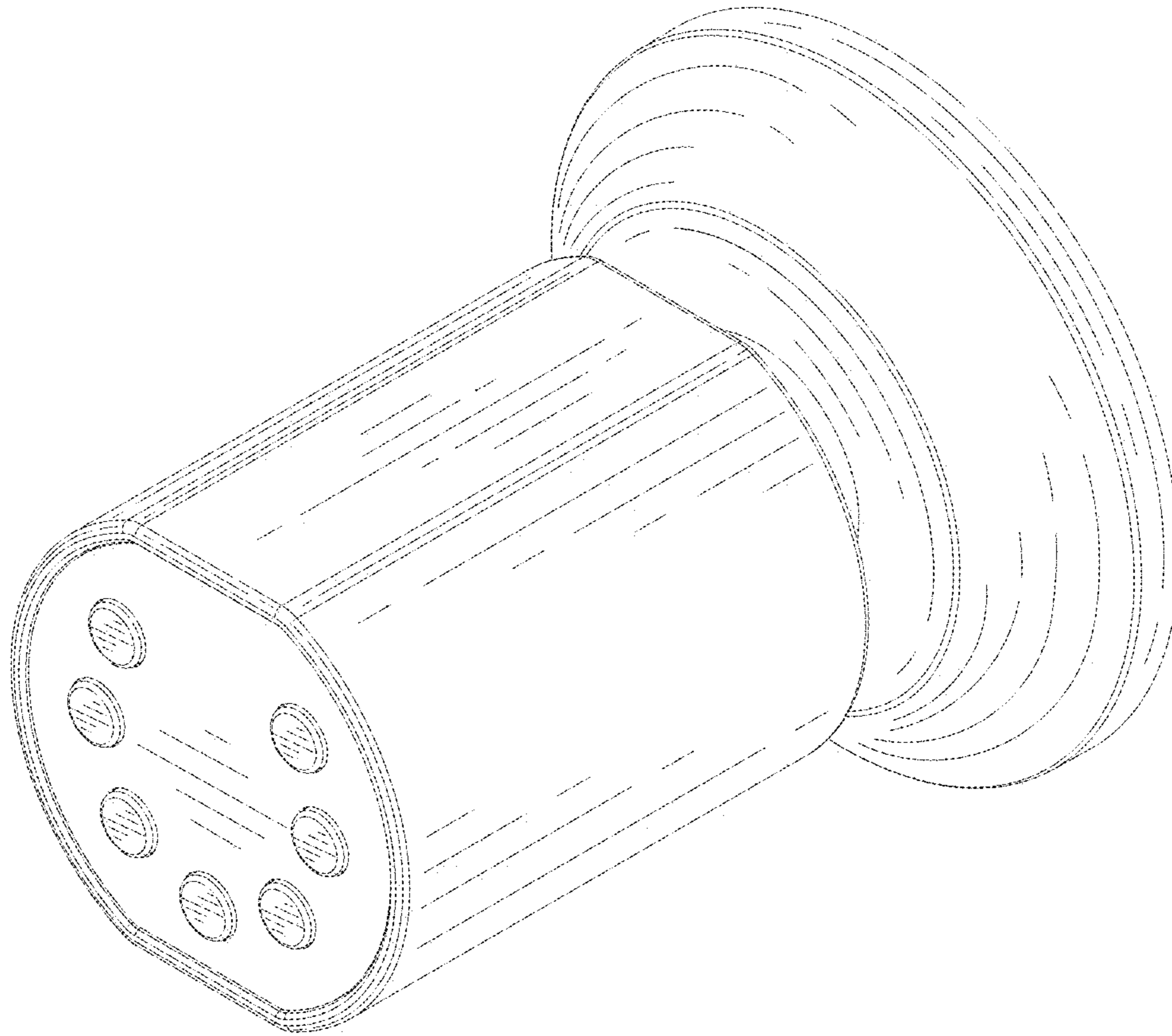


FIG. 9

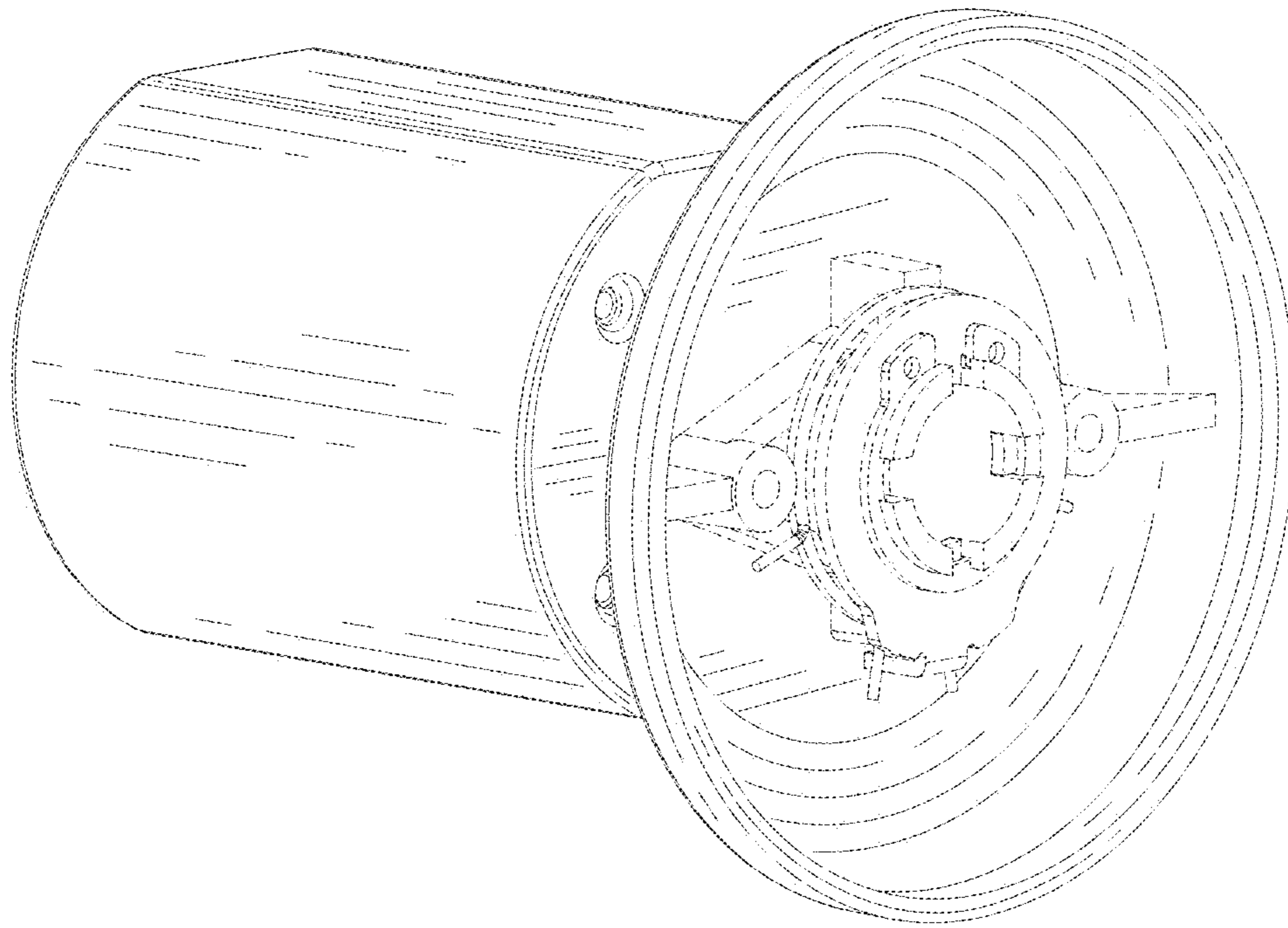


FIG.10

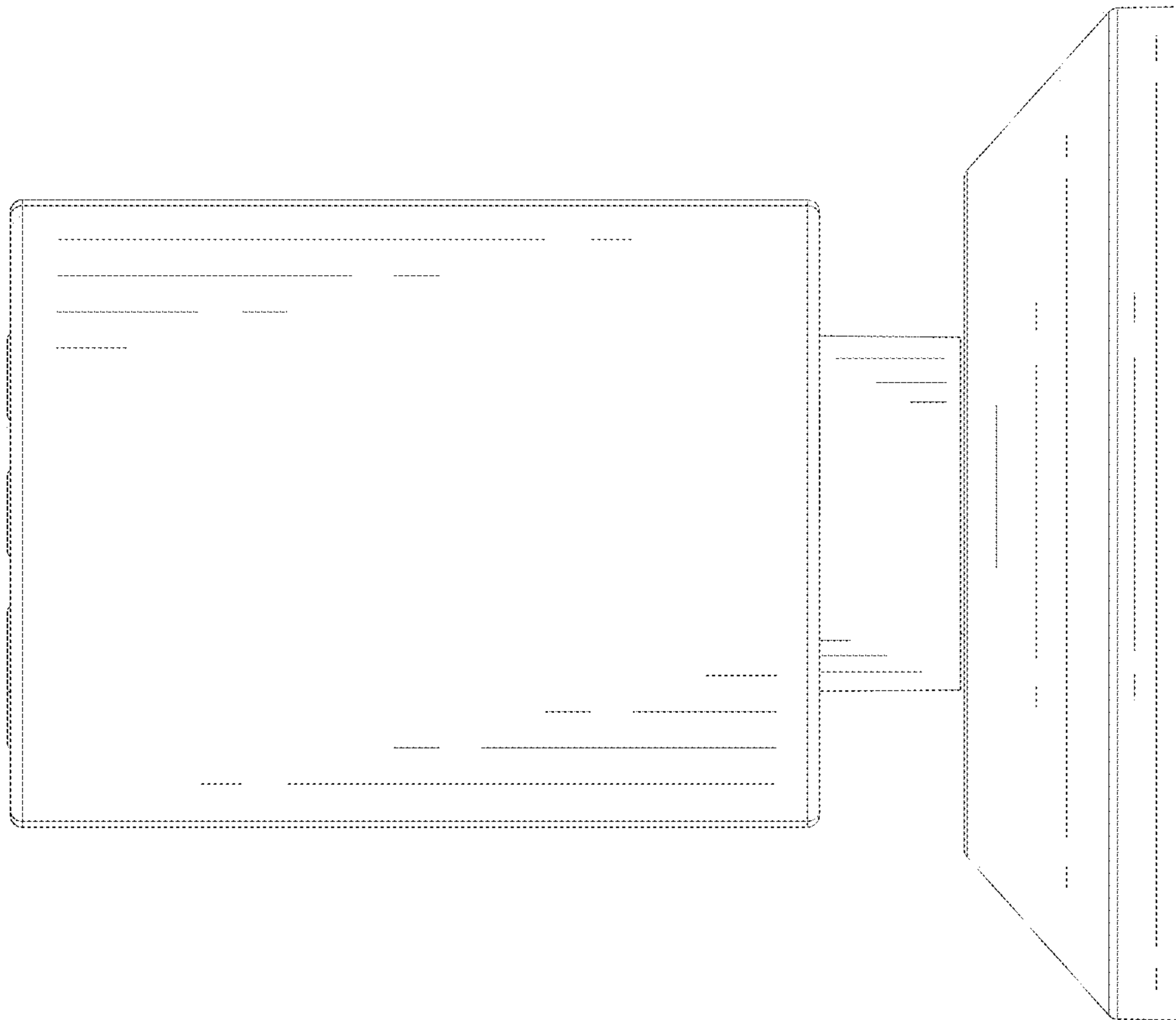


FIG. 11

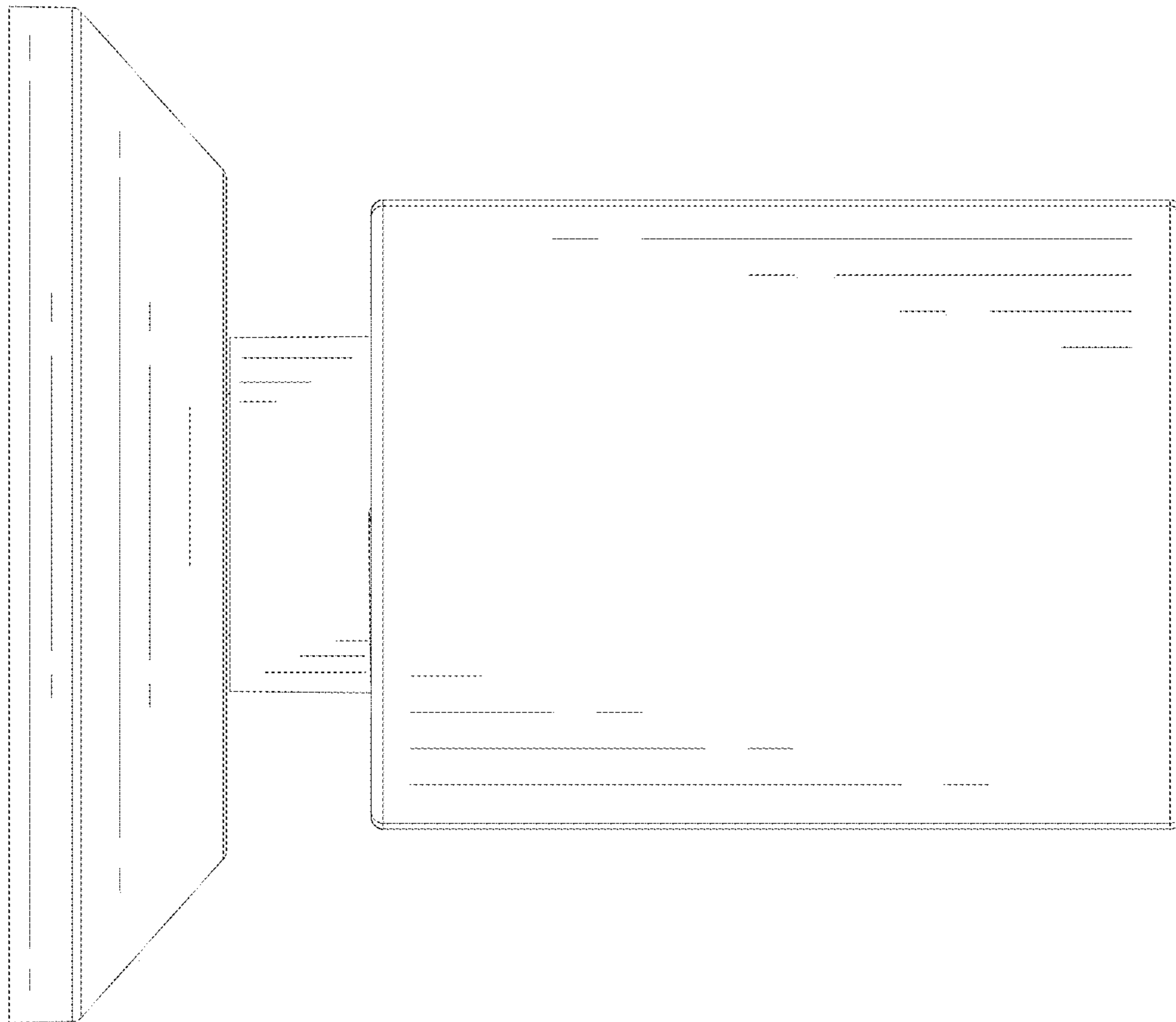


FIG. 12

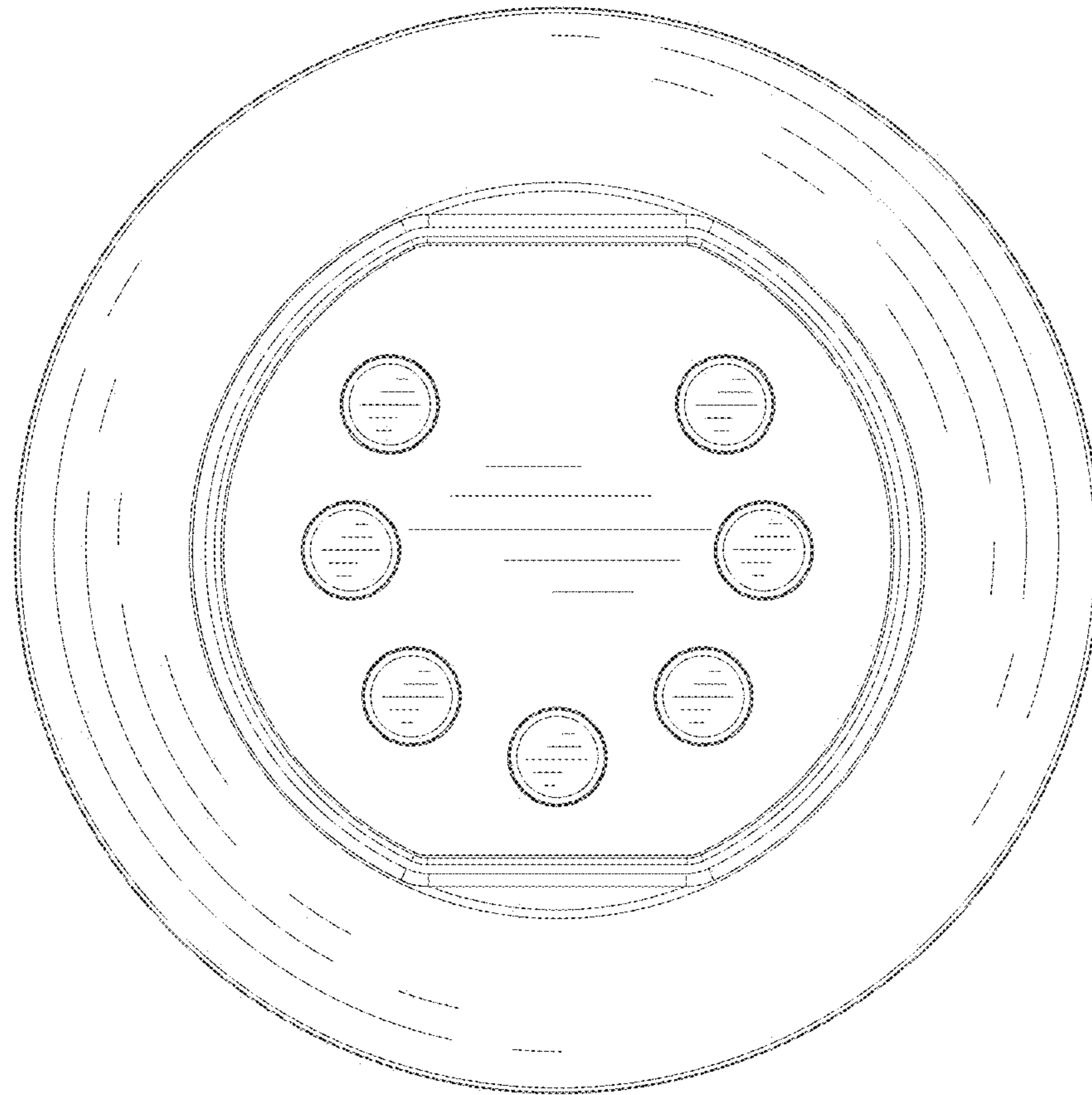


FIG. 13

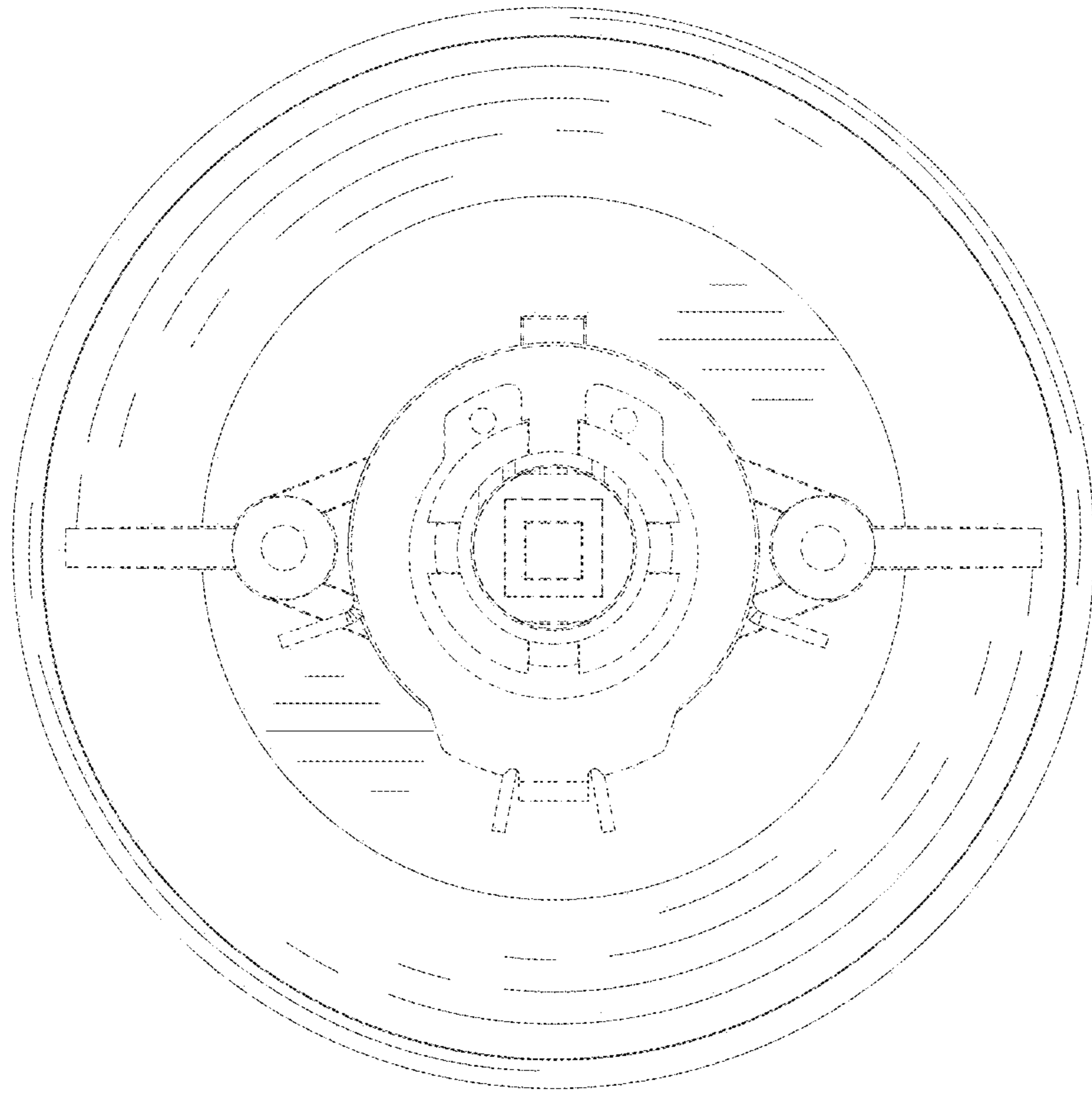


FIG.14



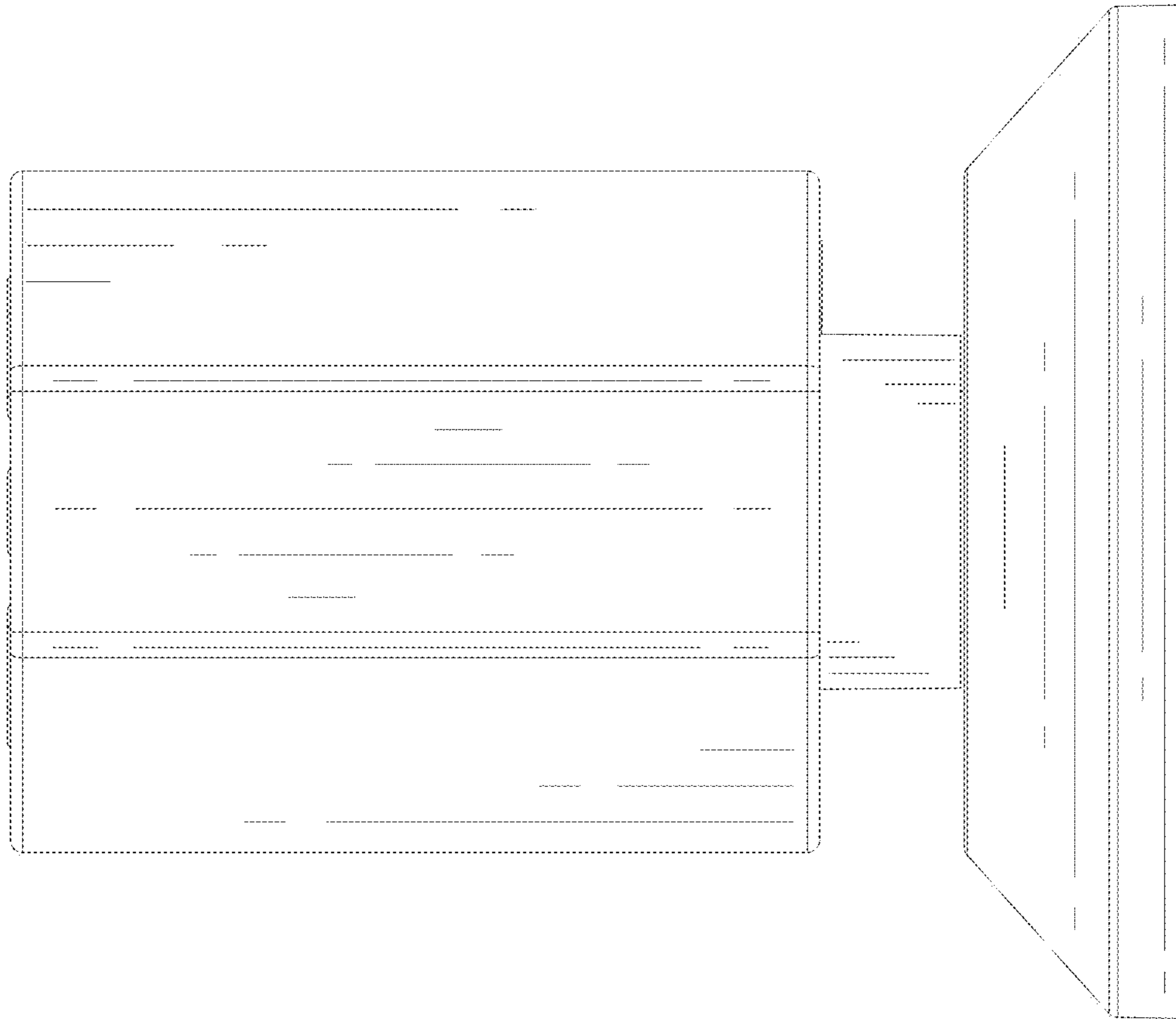


FIG.15

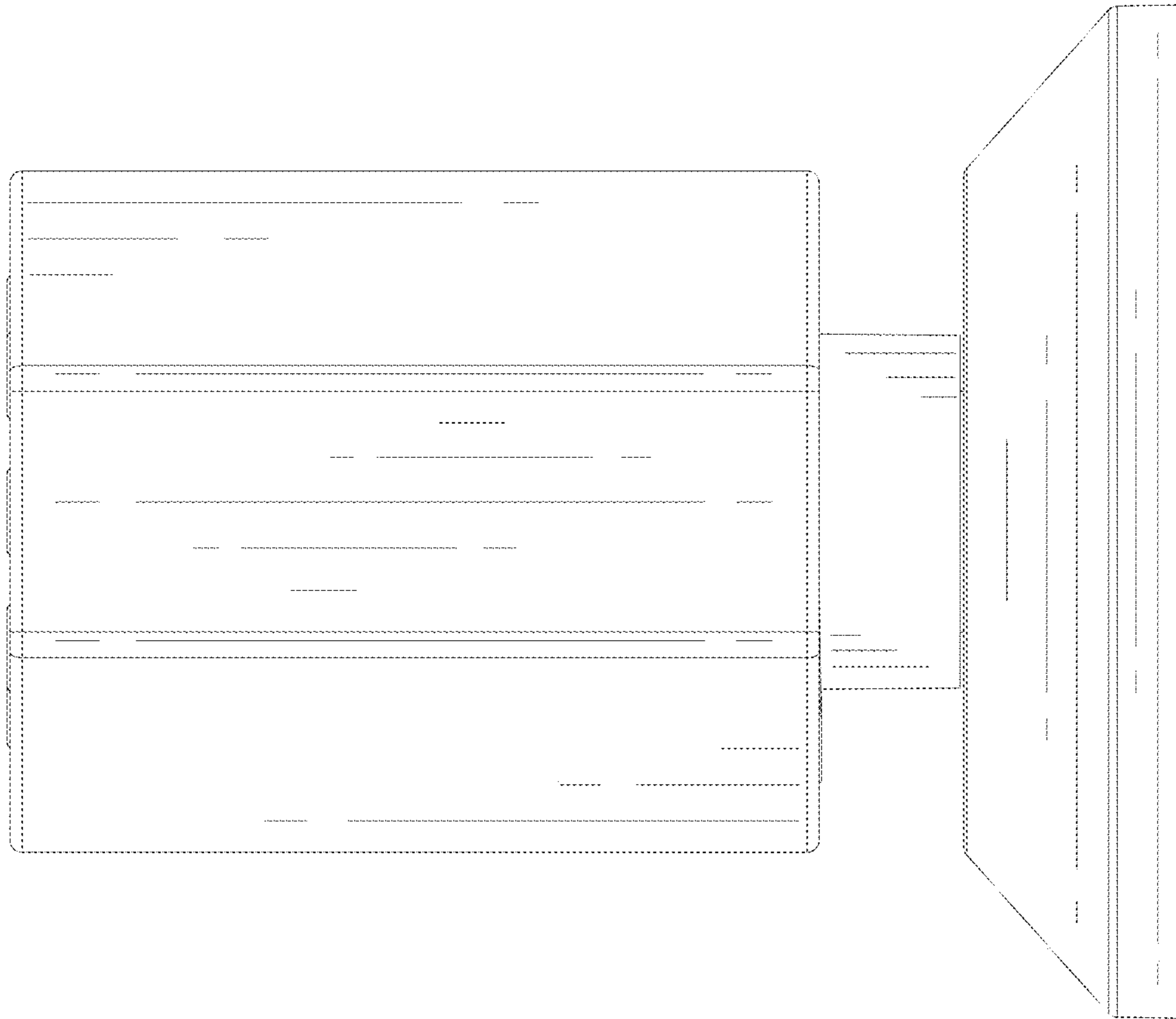


FIG.16

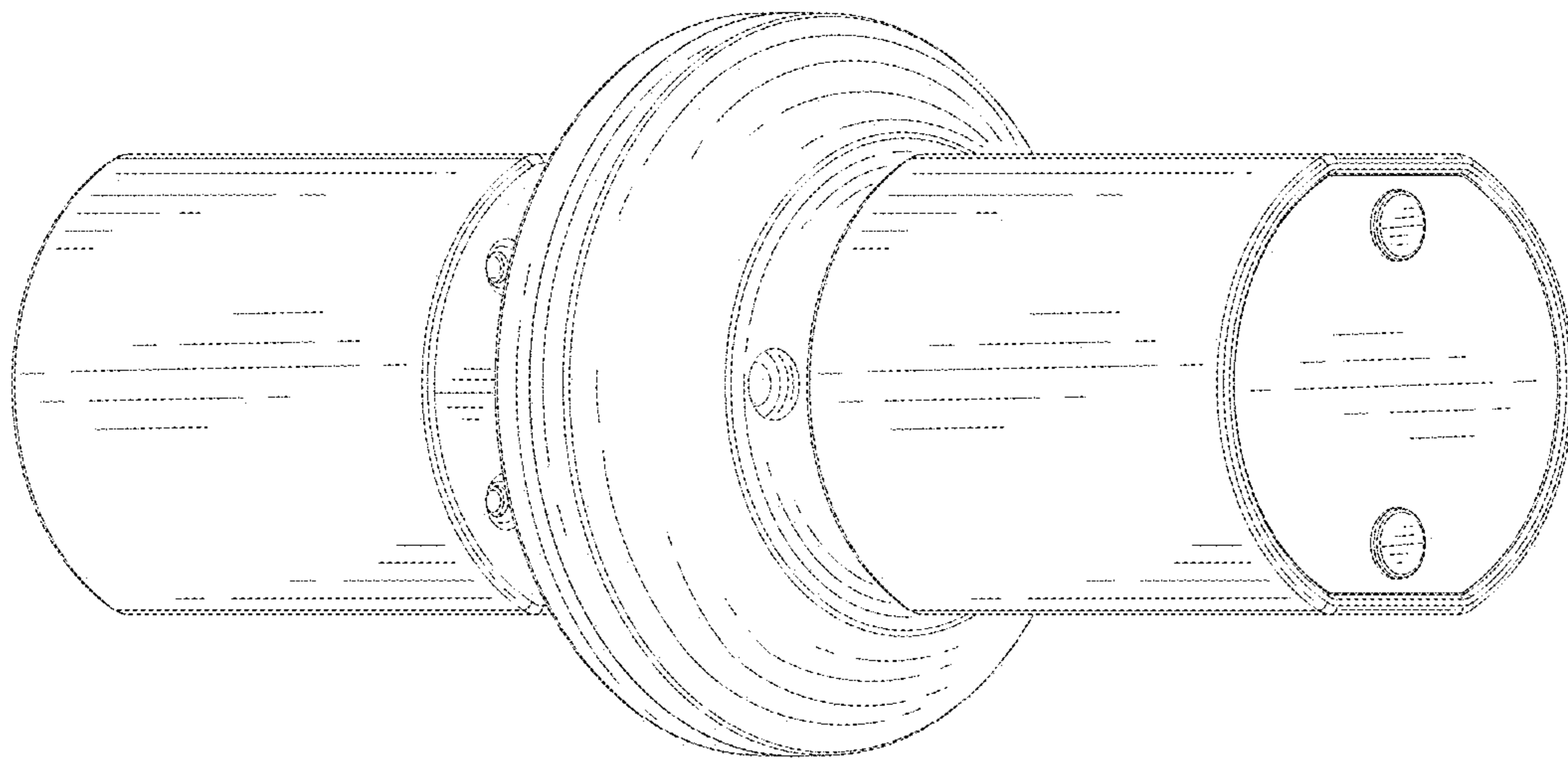


FIG. 17

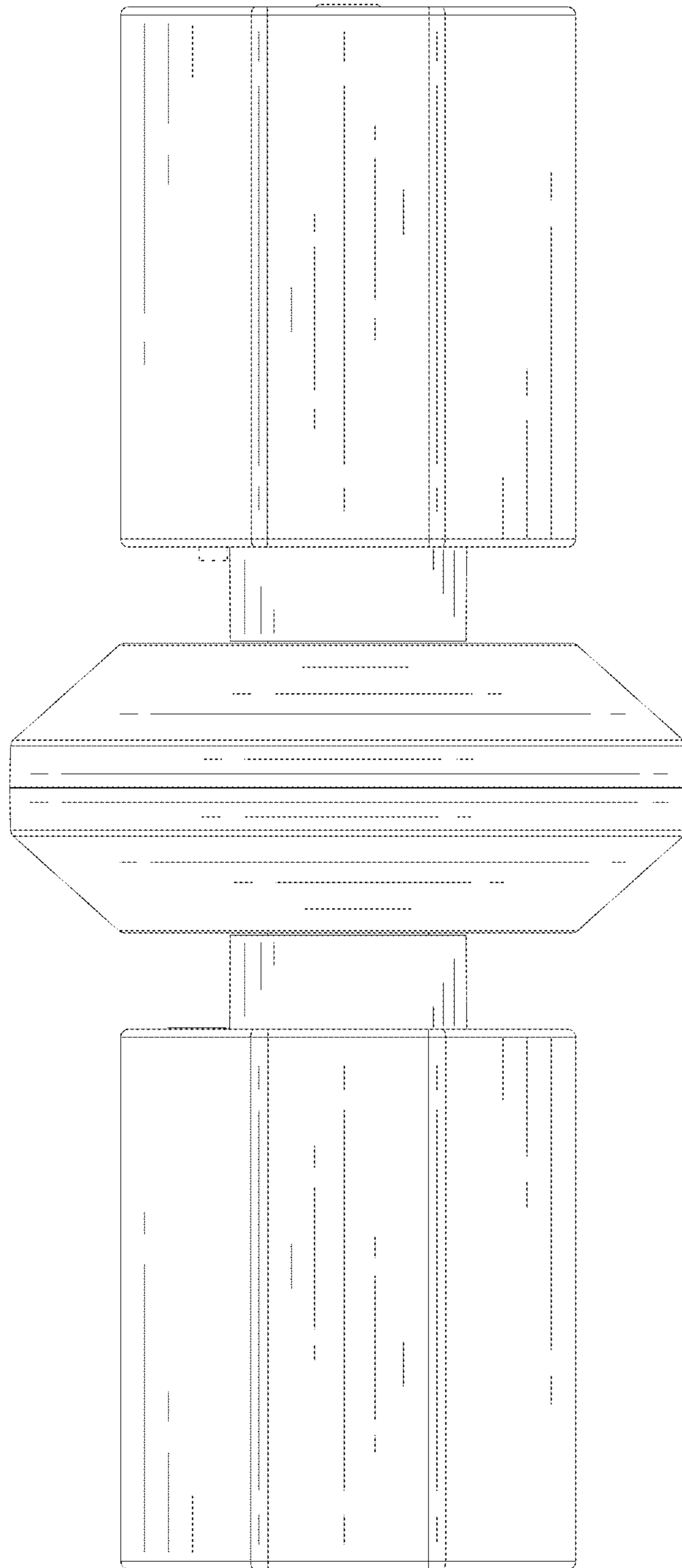


FIG. 18

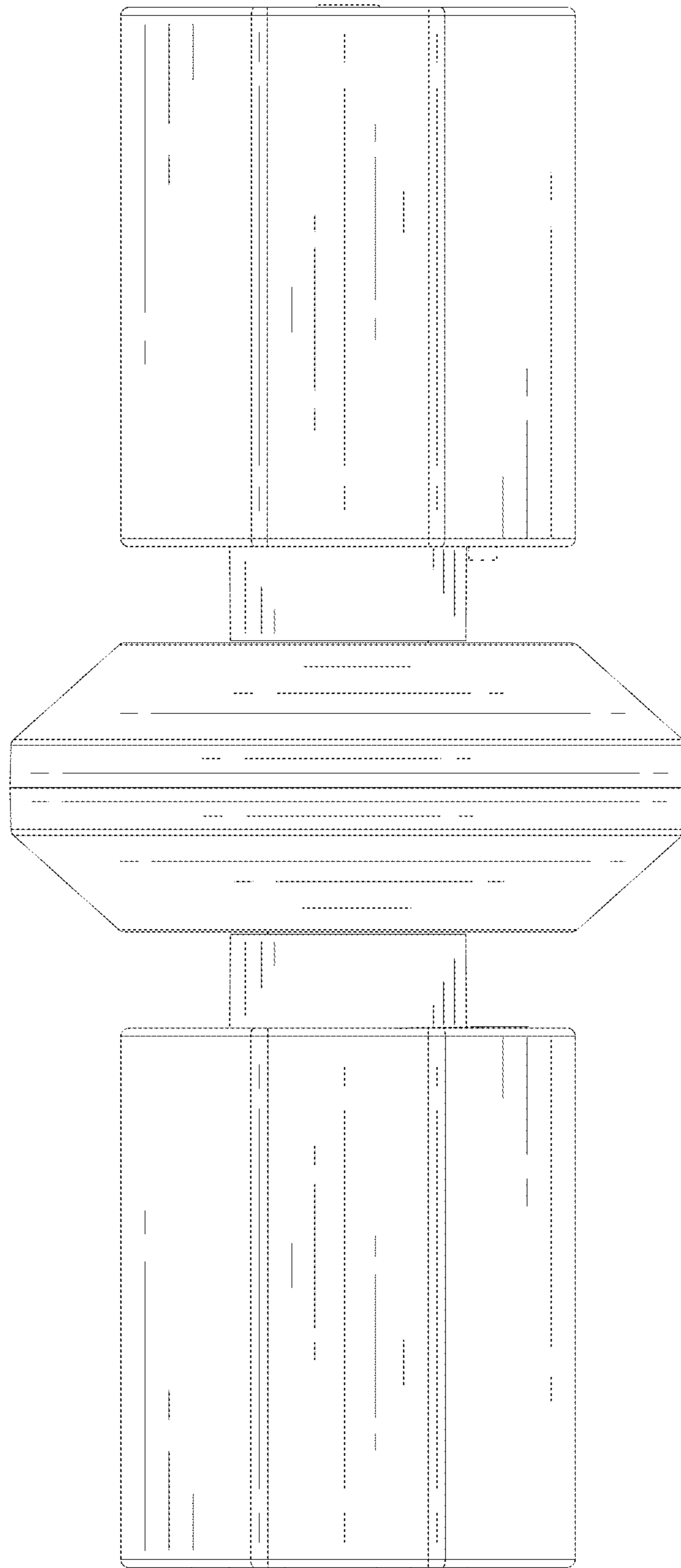


FIG.19

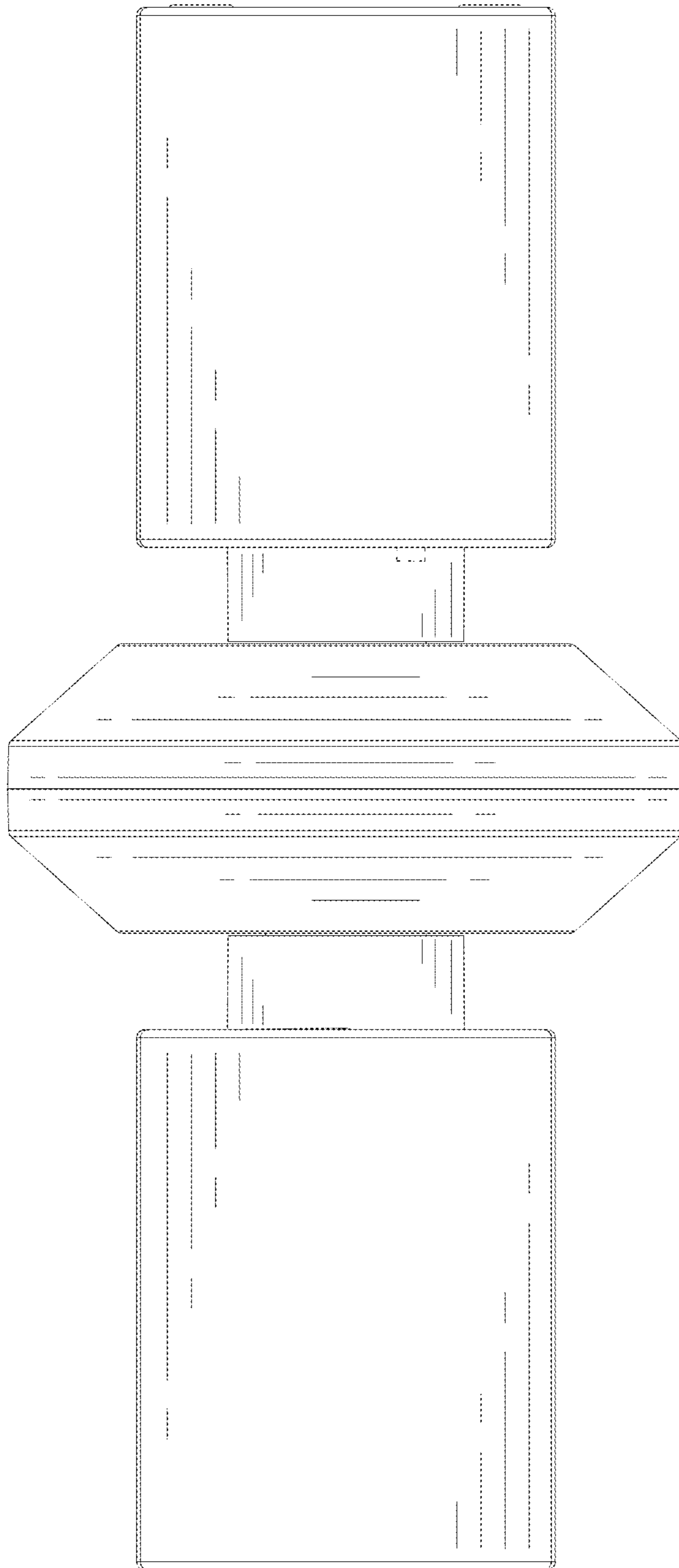


FIG. 20

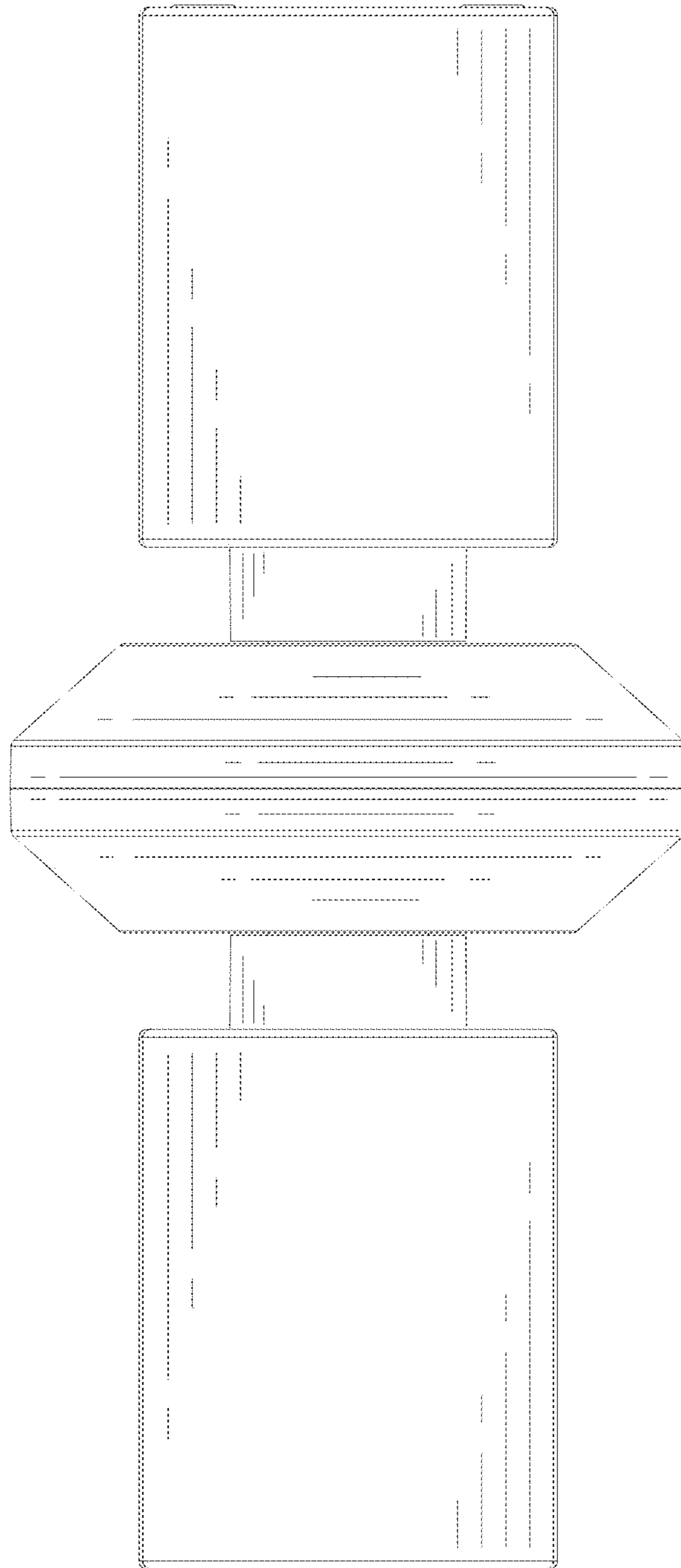


FIG. 21

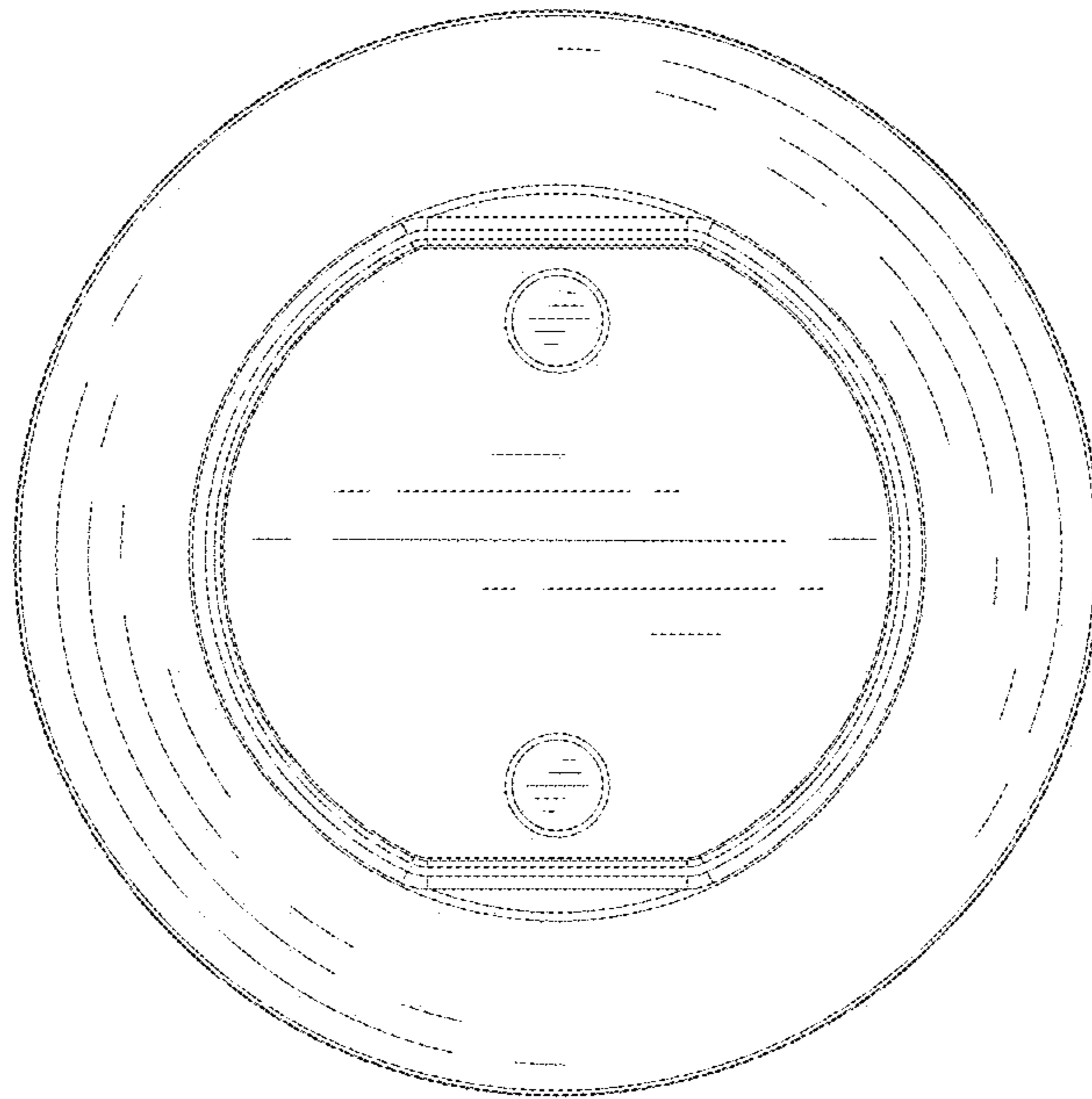


FIG.22



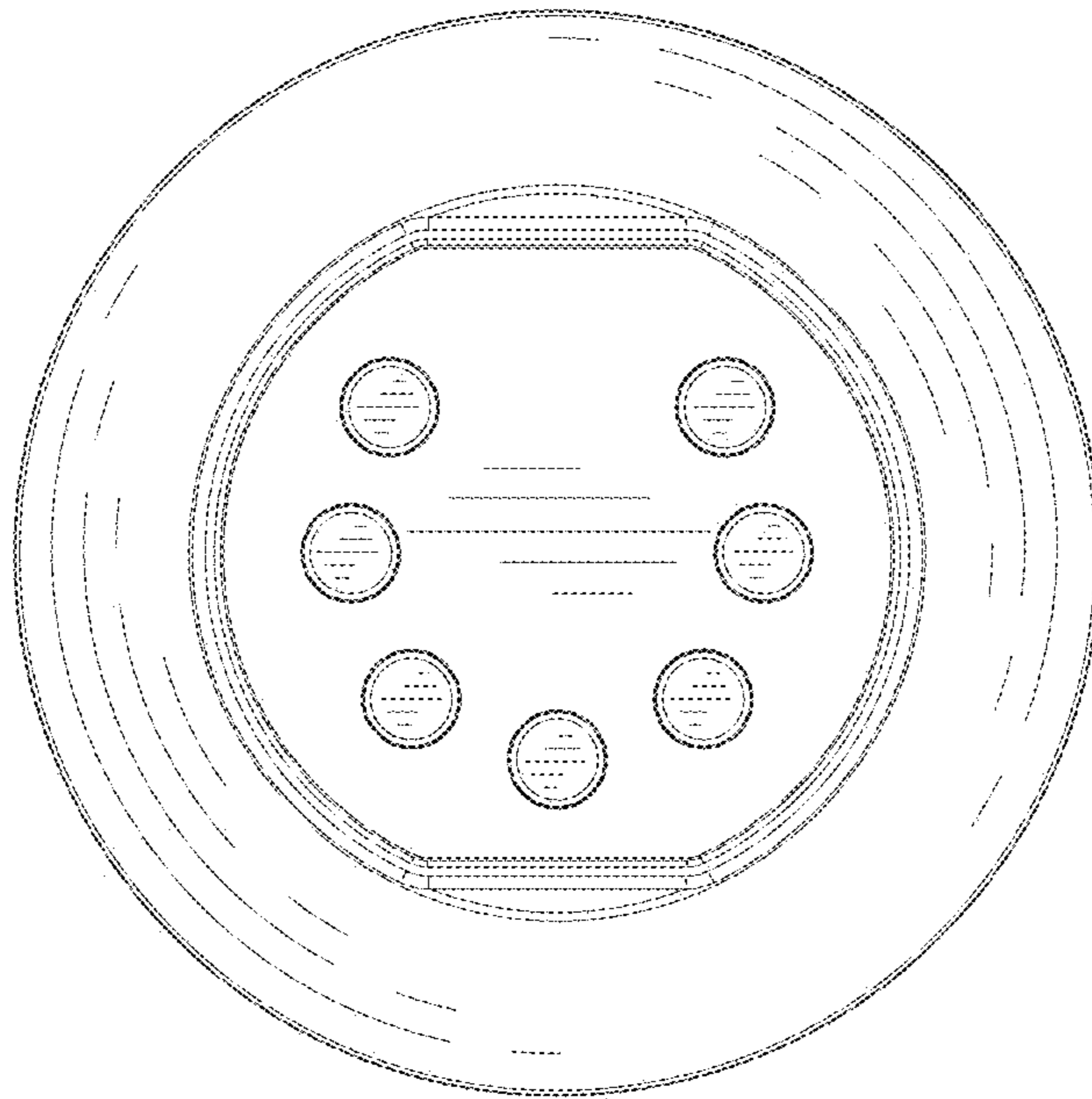


FIG. 23