



US00D911147S

(12) **United States Design Patent** (10) **Patent No.:** **US D911,147 S**  
**Li** (45) **Date of Patent:** **\*\* Feb. 23, 2021**

(54) **SMART LOCK**

(71) Applicant: **Chung Lok Du Li**, Rancho Cucamonga, CA (US)

(72) Inventor: **Chung Lok Du Li**, Rancho Cucamonga, CA (US)

(\*\*) Term: **15 Years**

(21) Appl. No.: **29/680,278**

(22) Filed: **Feb. 14, 2019**

(51) **LOC (13) Cl.** ..... **08-07**

(52) **U.S. Cl.**  
USPC ..... **D8/330; D8/331**

(58) **Field of Classification Search**  
USPC ..... D8/330-334, 336-350; 292/341, 341.1, 292/340, 344, 343, 18  
CPC ..... G07C 9/00571; G07C 9/00674; G07C 9/00309; Y10T 292/53; Y10T 16/458; Y10T 292/68; Y10T 292/0803; Y10T 292/0848; Y10T 70/5199; H04N 7/147; H04N 7/186; H04N 5/232411; H05K 1/144; E05B 3/00; E05B 15/00; E05B 9/00; E05B 63/04; E05B 15/101; E05B 1/003; E05B 65/0811; E05B 17/18; E05B 83/00

See application file for complete search history.

(56) **References Cited**

**U.S. PATENT DOCUMENTS**

6,733,050 B1 \* 5/2004 Yao ..... E05B 63/044 292/137  
D502,859 S \* 3/2005 Peng ..... D8/331  
D512,899 S \* 12/2005 Oskamp ..... D8/331  
D607,302 S \* 1/2010 Kim ..... D8/331  
D679,986 S \* 4/2013 Hsieh ..... D8/330  
D790,948 S \* 7/2017 Lai ..... D8/331  
D790,951 S \* 7/2017 Ferreira Sanchez ..... D8/331  
D791,569 S \* 7/2017 Chen ..... D8/331  
D814,265 S \* 4/2018 Kasper ..... D8/330

D818,795 S \* 5/2018 Morstatt ..... D8/331  
D840,785 S \* 2/2019 Kasper ..... D8/330  
2018/0171672 A1 \* 6/2018 Lin ..... E05B 47/06  
2018/0283044 A1 \* 10/2018 Morstatt ..... E05B 71/00

**FOREIGN PATENT DOCUMENTS**

CN 302692938 \* 10/2012  
CN 302751877 \* 9/2013  
CN 303813480 \* 1/2016

(Continued)

**OTHER PUBLICATIONS**

Haifuan Store, Digital Door Lock,Unlock with Remote Control, MI Card, Code and Key, Date first available Jul. 22, 2016, [online]retrieved Oct. 28, 2020, available from internet, www.amazon.com (Year: 2016).\*

(Continued)

*Primary Examiner* — Keli L Hill  
*Assistant Examiner* — Sara S Sahneh

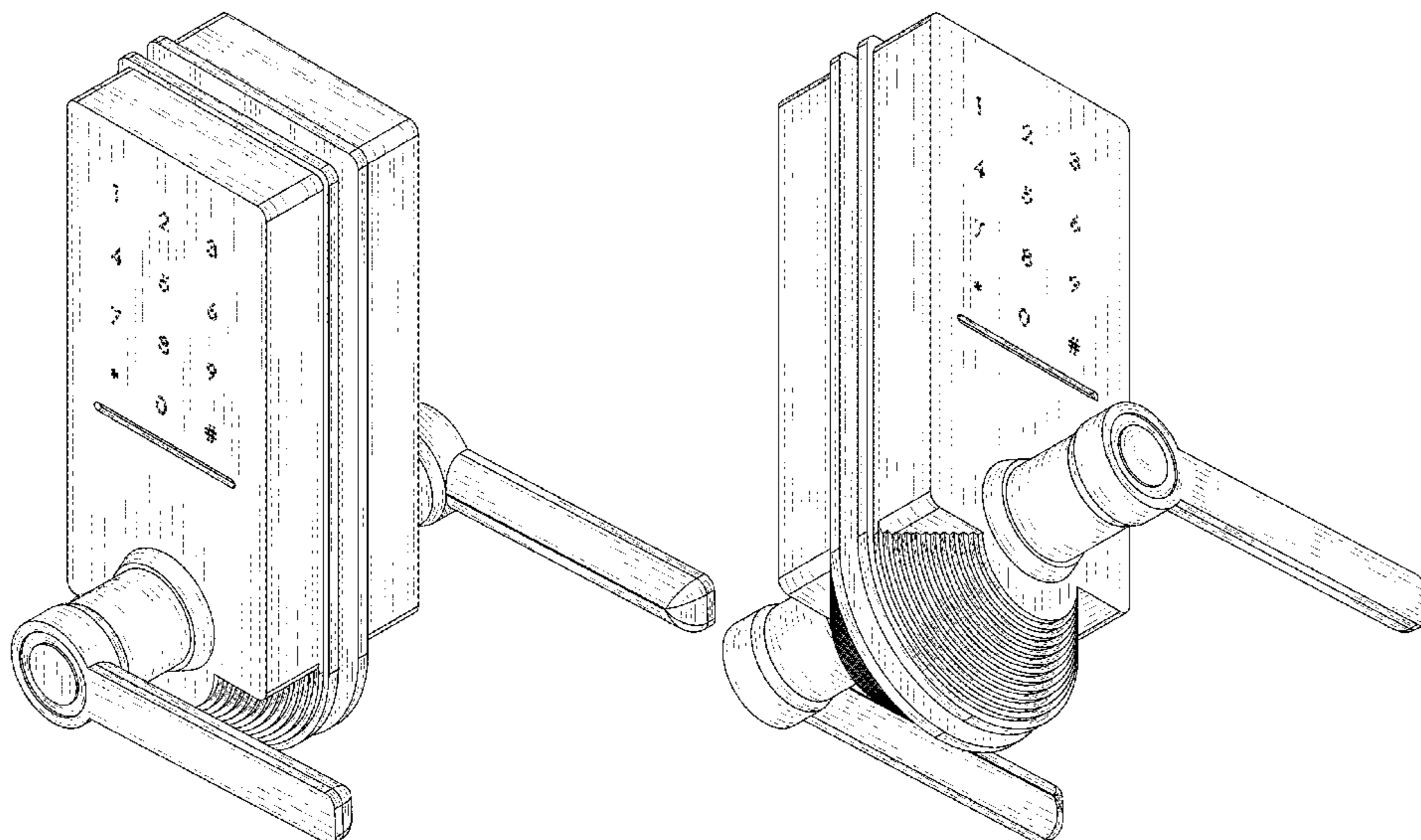
(57) **CLAIM**

The ornamental design for a smart lock, as shown and described.

**DESCRIPTION**

FIG. 1 is a top perspective view of a smart lock showing my new design;  
FIG. 2 is a bottom perspective view thereof;  
FIG. 3 is a front elevational view thereof;  
FIG. 4 is a rear elevational view thereof;  
FIG. 5 is a left-side elevational view thereof;  
FIG. 6 is a right-side elevational view thereof;  
FIG. 7 is a top plan view thereof; and,  
FIG. 8 is a bottom plan view thereof.  
The broken line showing of smart lock is for the purpose of illustrating portions of the article and forms no part of the claimed design.

**1 Claim, 8 Drawing Sheets**



(56)

**References Cited**

FOREIGN PATENT DOCUMENTS

CN	305102155	* 11/2018
CN	305220480	* 1/2019
CN	305884063	* 11/2019
CN	305902000	* 3/2020

OTHER PUBLICATIONS

Colosus, NDL319 Keyless Electronic Trusted Digital Smart Door Lock, Keypad—Smartcode Security, Date first available Feb. 19, 2019, [online]retrieved Oct. 28, 2020, available from internet, [www.amazon.com](http://www.amazon.com) (Year: 2019).\*

Etekjoy Store, Electronic Door Lock 3-in-1 Password RFID Card/Tag Hidden Keyhole Digital Touchscreen Keypad Left/Right Lever Reversible Handle Keyless Smart Auto Lock, Date first available Aug. 29, 2018, [online]retrieved Oct. 28, 2020, available from internet, [www.amazon.com](http://www.amazon.com) (Year: 2018).\*

Ardwolf, A30 Keyless Smart Door Lock Keypad, with Reversible Lever and Automatic Locking, Date first available Oct. 25, 2016 [online]retrieved Oct. 28, 2020, available from internet, [www.amazon.com](http://www.amazon.com) (Year: 2016).\*

\* cited by examiner

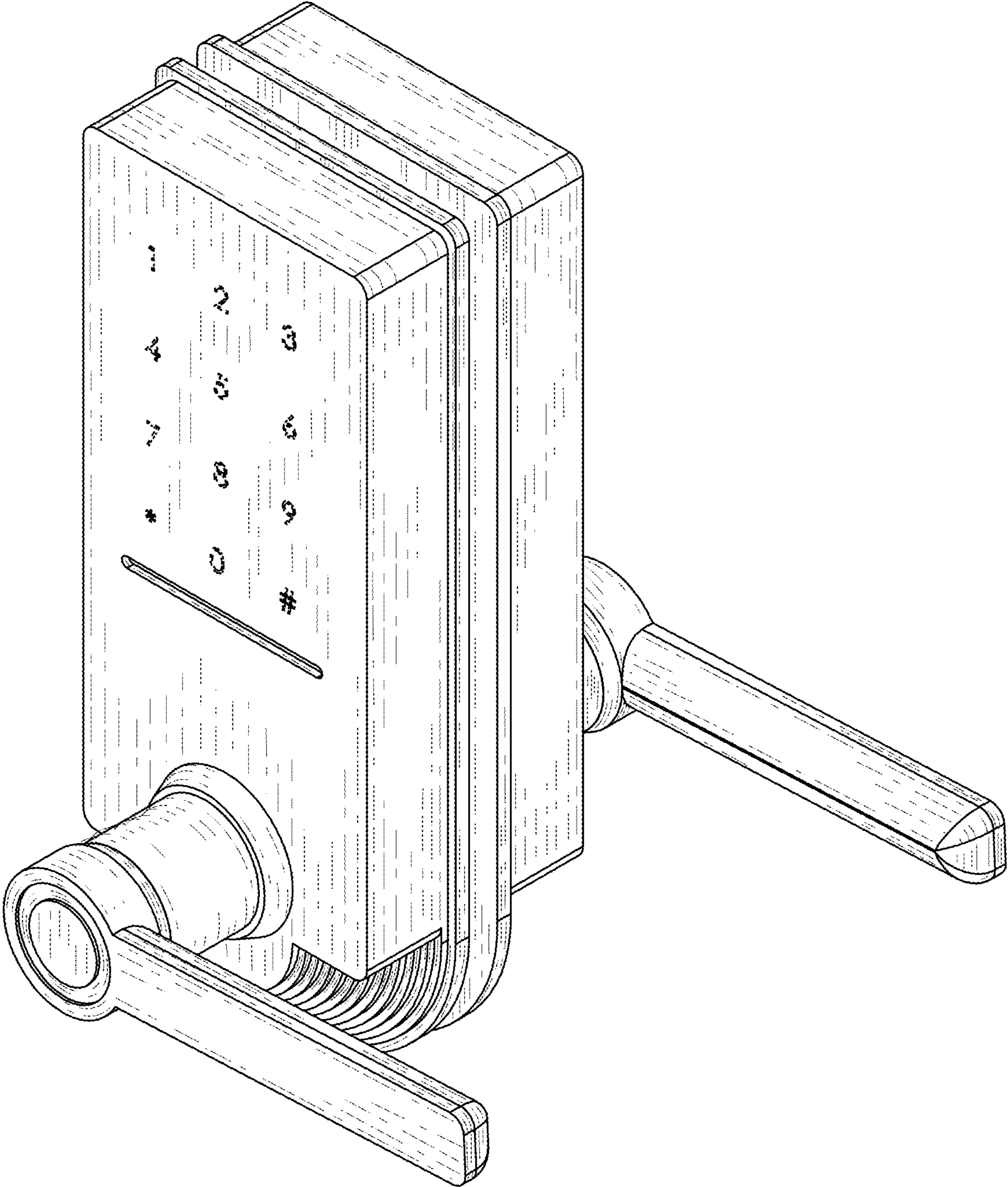


FIG.1

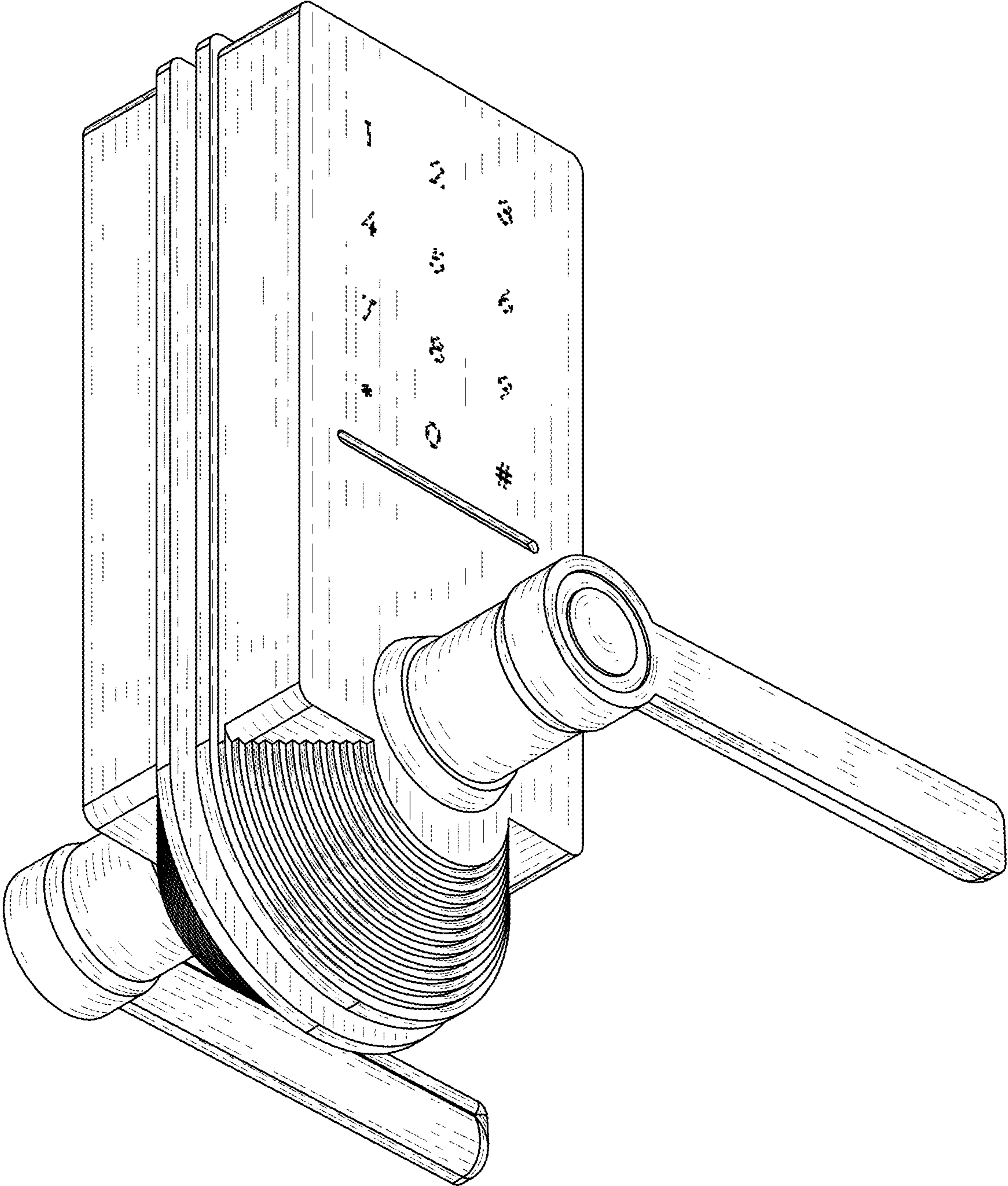


FIG.2

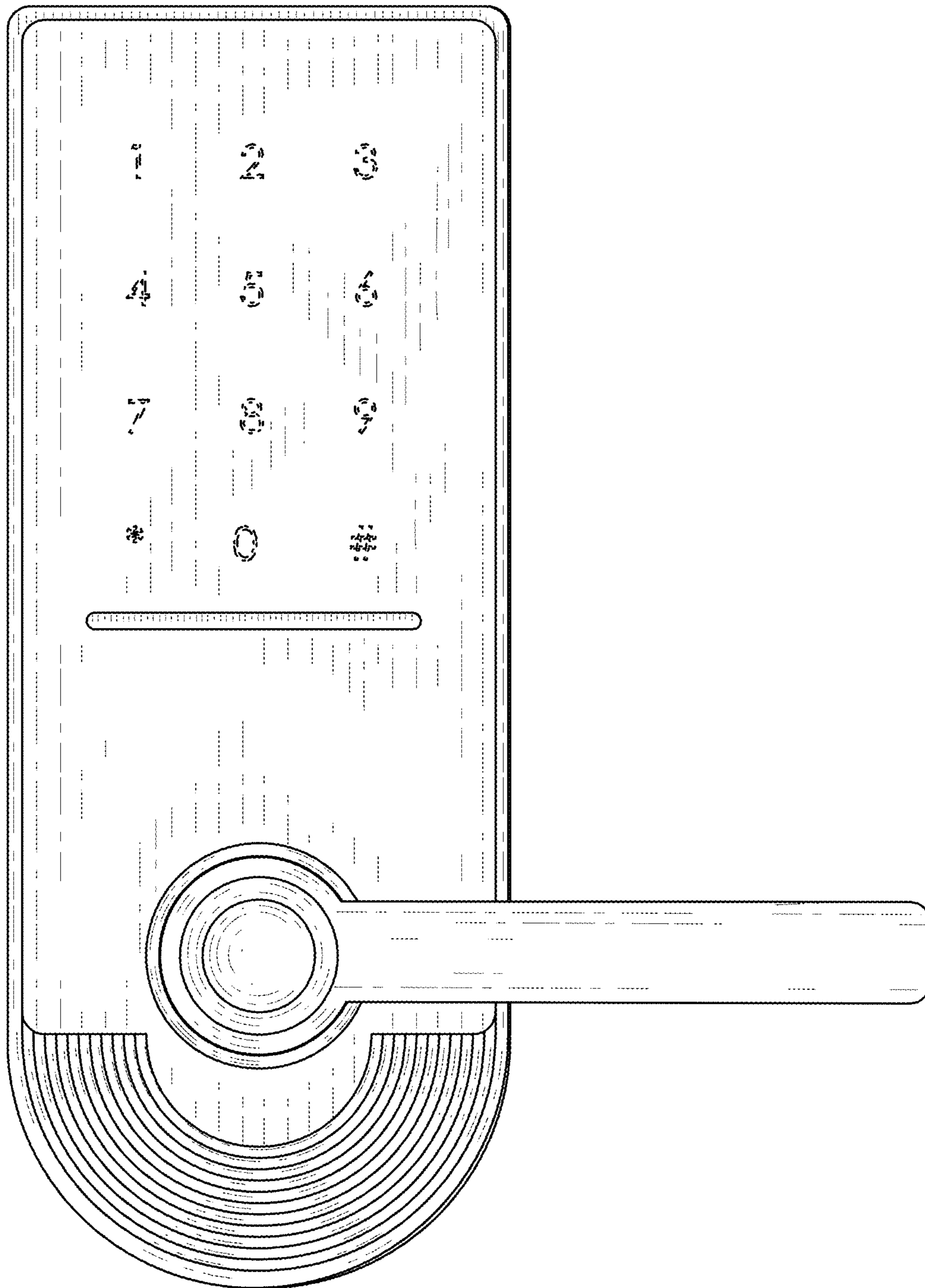


FIG.3

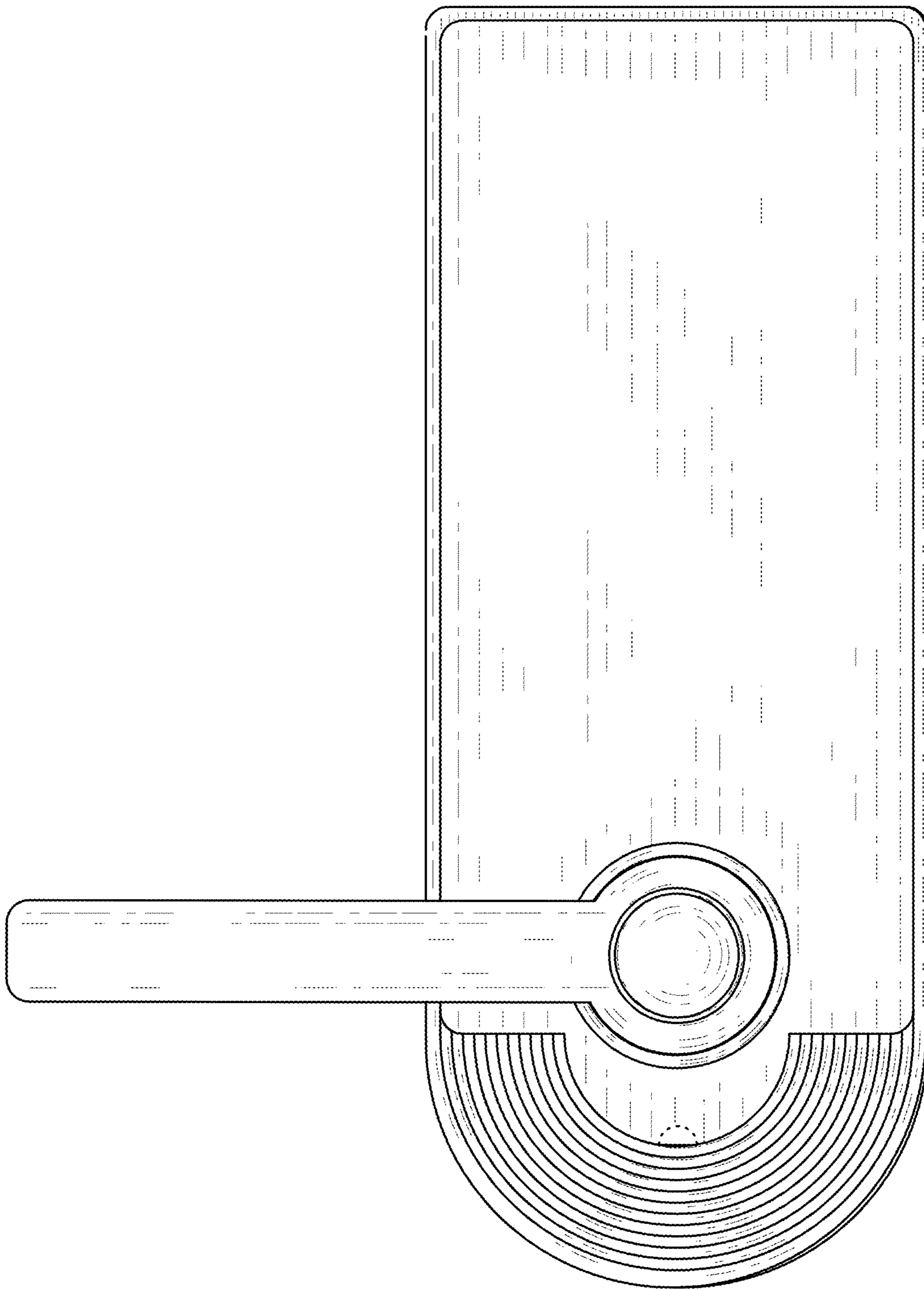


FIG.4

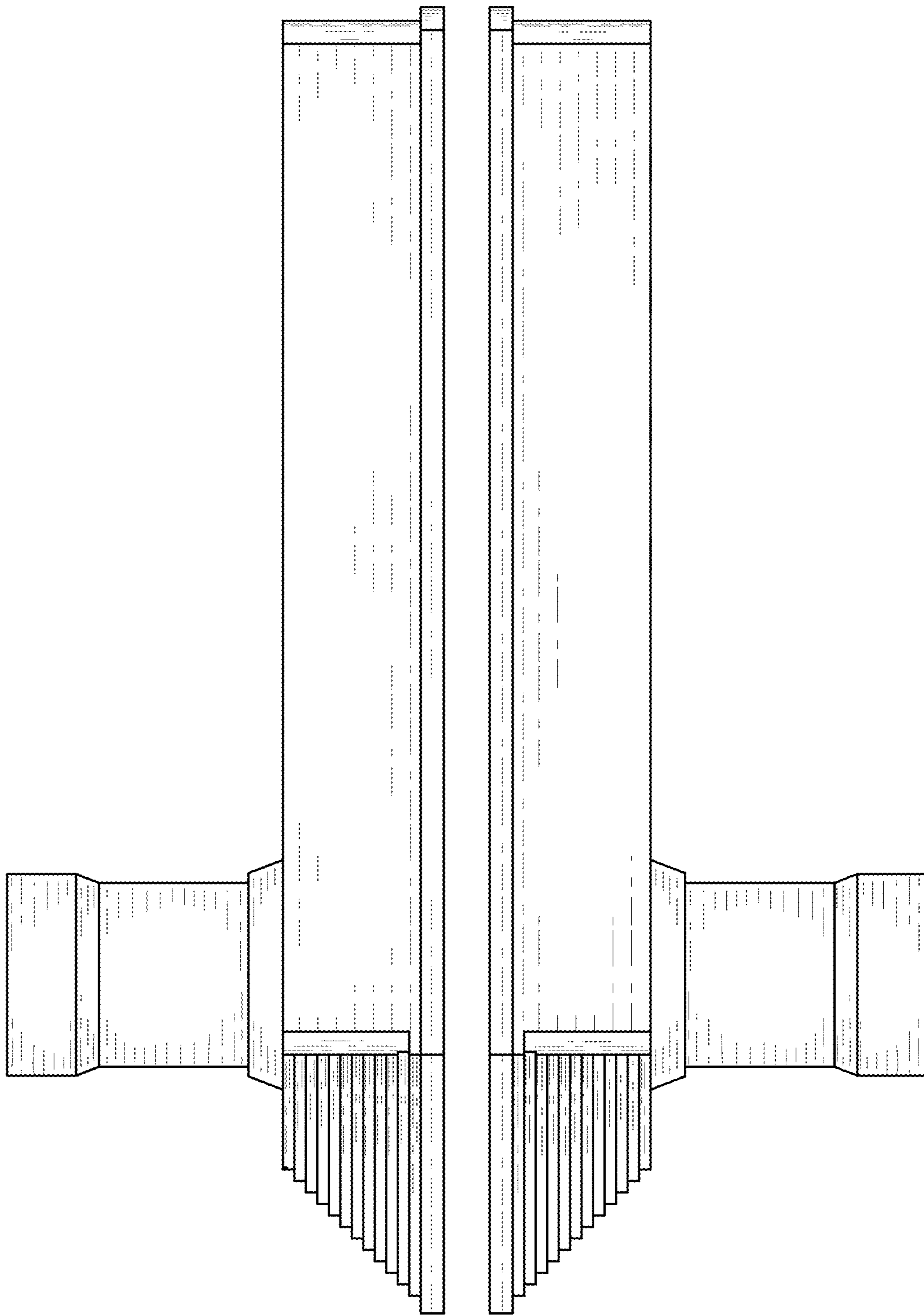


FIG.5

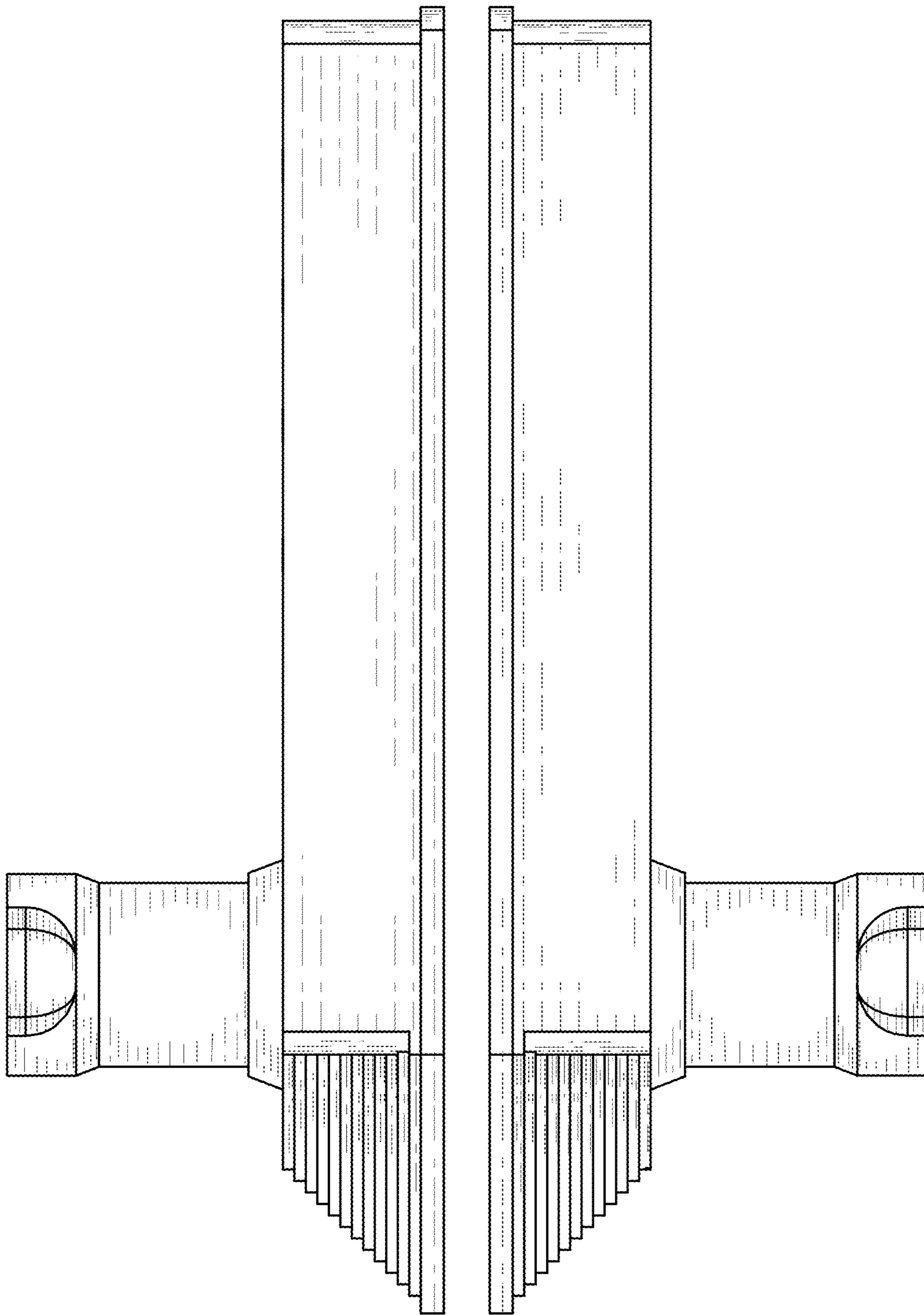


FIG.6



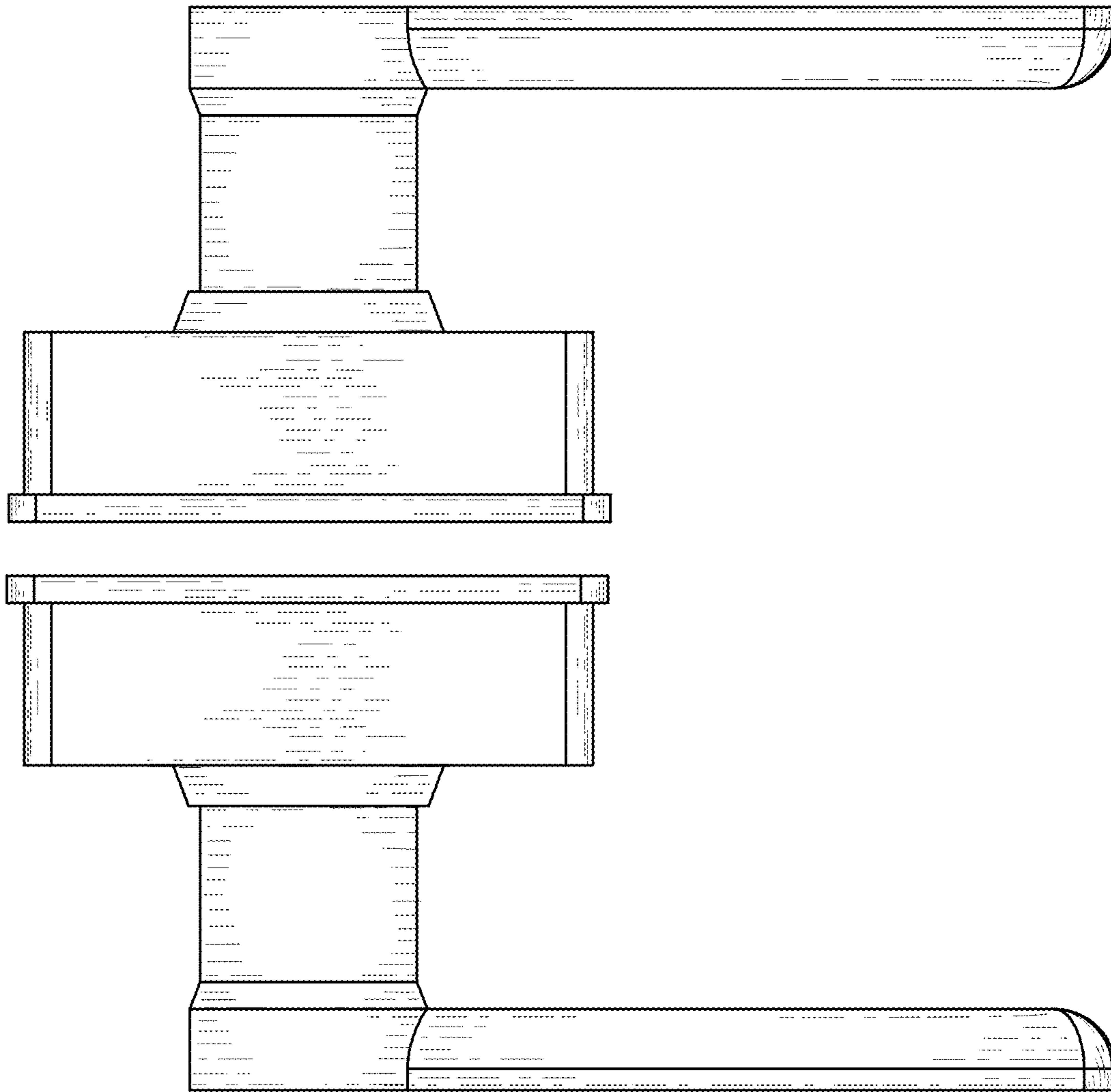


FIG.7

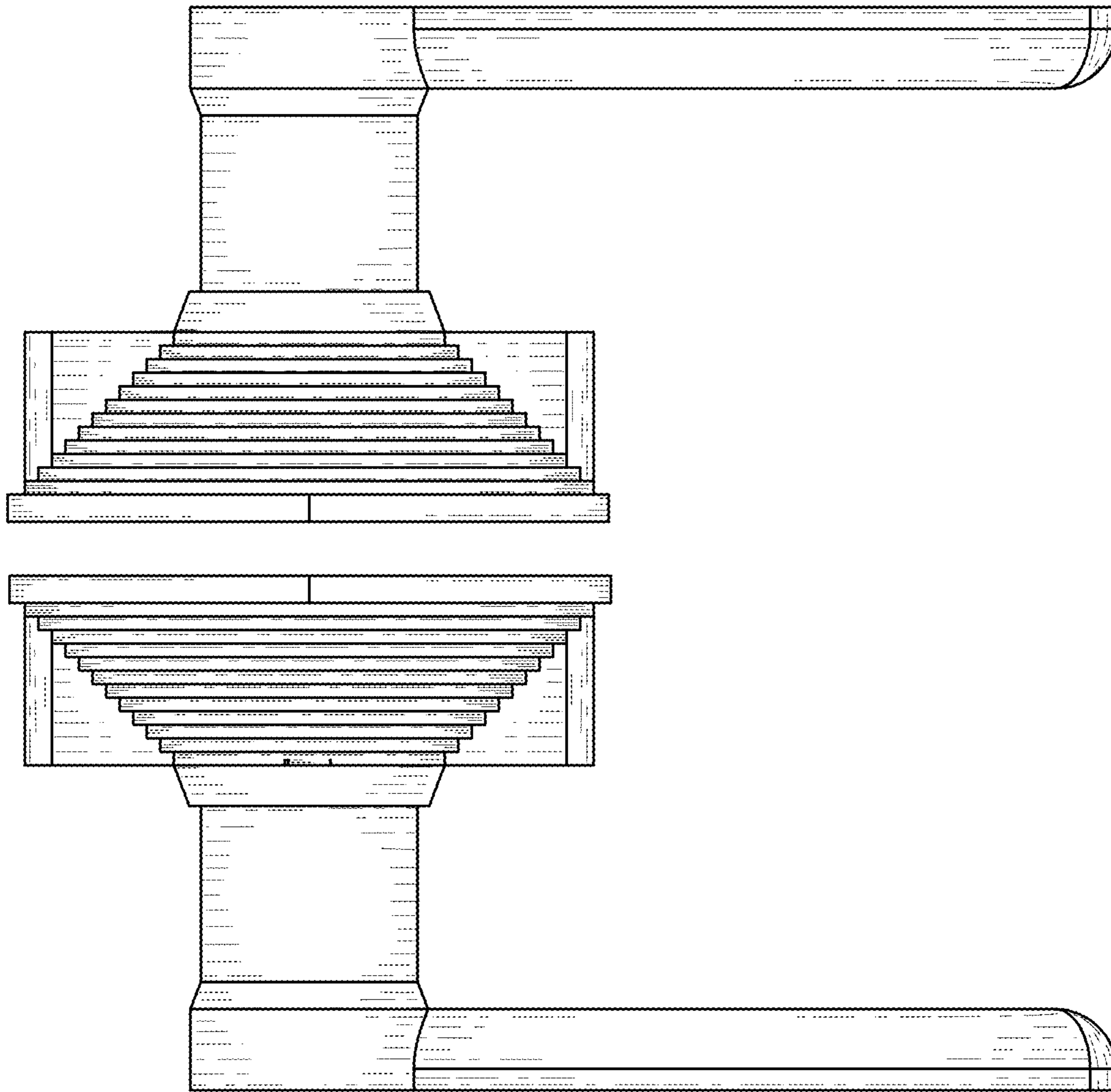


FIG.8